

# LED Gooseneck Light Series 2

## features

- Dimmable from 0% to 100%
- Dual mode control with external control capacity
- Input voltage 28VDC
- Compliant with DEF-STAN 61-5 Part 6 Issue 6 and 6 Power Requirements
- Compliant with DEF-STAN 59-411 (Land Class B) for EMI Requirements\*
- Compliant with DEF-STAN 00-35 for Environmental Requirements
- NMS Friendly
- Sealing rated up to IP67
- Primary lighting colour - white
- Neck length 250mm - custom lengths can be offered
- Weight - 400g typ
- Maximum operating current 90mA
- Luminous Intensity 600cd

## applications

- Map reading light
- Task light
- Naval flight comms desk
- Mobile comms shelter desk

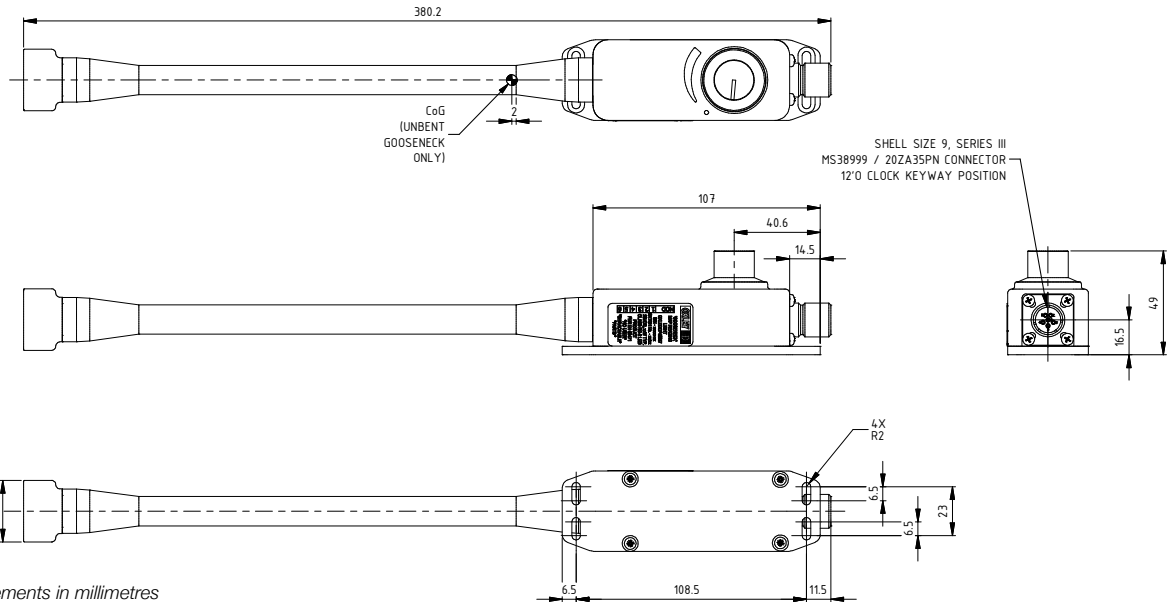


The new Series 2 LED Gooseneck from Oxley Developments incorporates state-of-the-art LED technology to provide a rugged task light designed to meet the toughest military standards.

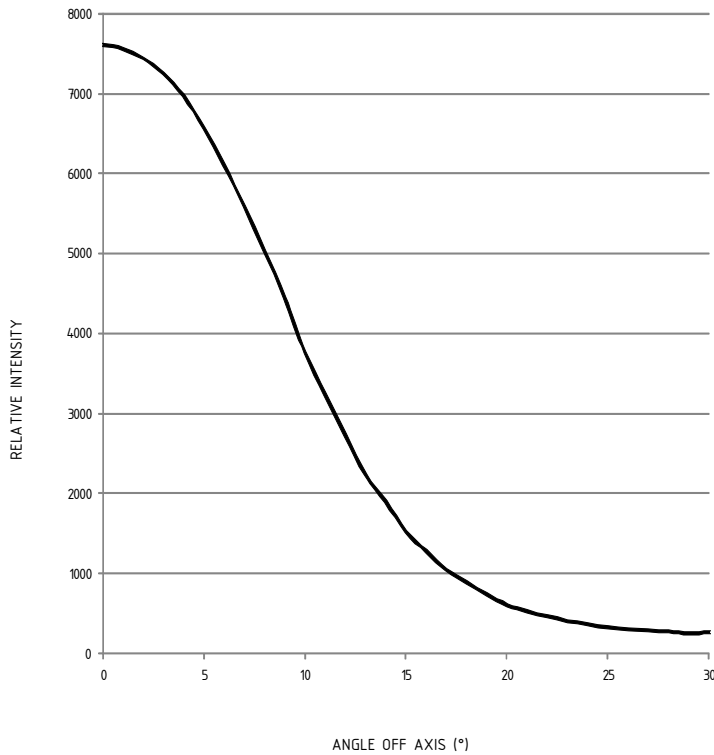
This is an exceptionally bright and highly focused task light with a luminous intensity of 600cd. Sealed up to IP67, high vibration & shock proof, the Series 2 Gooseneck is constructed to the typically high standards of all Oxley products using the highest quality components.

## LED Gooseneck Light Series 2

Part Number	description
OXLEDCP42357	Rated IP67
OXLEDCP42357-01	Rated IP54



### DISTRIBUTION CURVE



#### Company Approvals:

BS EN ISO 9001:2015

BS EN 9100: Rev D

BS EN ISO 14001:2015

Registered in England & Wales No. 376071

#### Distributed by

### Oxley Developments Company Ltd

Priory Park  
Ulverston  
Cumbria  
LA12 9QG  
United Kingdom

t: +44 (0) 1229 483226

f: +44 (0) 1229 581851

e: sales@oxleygroup.com

### Oxley Inc

31 Business Park Drive  
Branford  
CT 06405  
USA

t: +1 (203) 488-1033

f: +1 (203) 481-6971

e: sales@oxleyinc.com

w: www.oxleygroup.com