







S E R V I N G   H O R T I C U L T U R E   F O R   O V E R  
5 5   Y E A R S

# C O N T E N T S

About Us	02
Our Team	03
Sustainability Ethos	04
Why Choose Polyhouses	05

---

 HYBRID STRUCTURE	07
 MULTI-SPAN CBV STRUCTURES	09
 EURO RANGE	11
 STANDARD RANGE	15

---

How to Order	19
Manufacture and Delivery	20
Guide to Purchase	21
Cladding Calculations	23
Ventilation and Air Circulation	25
Frequently Asked Questions	27





# ABOUT US

Polyhouses is a division of Fordingbridge PLC with over 55 years' experience of polytunnel design, manufacture, and construction; offering a complete range from portable temporary tunnels to multi-spans and our newest hybrid structures.

With our outstanding reputation as one of the UK's first and largest polytunnel manufacturers, we have worked with a magnitude of nurseries, growers, and retailers. As a result, we have developed the strong expertise needed to provide superior quality products, designed to stand the test of time.

Manufactured in our advanced, purpose-built factory near Chichester, West Sussex, all our polyhouses are created under our complete control and precise supervision. To maintain a high-quality production process, we have tried and tested many suppliers and consequently we are confident in supplying the best products to each and every customer.



# OUR TEAM

Our dedicated Sales team are here to help.



**Garry Summerfield**  
Technical Sales Manager

Garry is a dedicated sales professional with over 15 years' experience working in horticultural nurseries and the Garden Centre industry. He has gained an in-depth knowledge of polytunnels and horticultural canopies in that time. Having worked with clients on all types of structures, from basic single span through to large multi-span areas in commercial, retail, & livestock sectors, this makes Garry's expertise invaluable.

Contact Garry -  
[garrysummerfield@fordingbridge.co.uk](mailto:garrysummerfield@fordingbridge.co.uk)  
07464 548 596



**Chris Rowland**  
Buyer

Chris started in production, moved through the stores, installation, and then to transport and logistics departments before finding his forte within purchasing alongside Horticulture sales. His long standing relationships with suppliers and contacts has provided sub-contract manufacturing sales. Chris's experience in buying and selling gives us a competitive advantage as this is something which can only be built over time.

Contact Chris -  
[chrisrowland@fordingbridge.co.uk](mailto:chrisrowland@fordingbridge.co.uk)

# SUSTAINABILITY ETHOS



All our Polyhouses are manufactured in the UK, from industry-leading designs and materials.



We strive to reduce our carbon-footprint where possible, with our steel and aluminium purchased within the UK, air miles are significantly reduced, and our logistics manager calculates advantageous routes to be able to collect materials on the same journeys as delivering to our clients and customers; lowering your final costs as well as achieving a better environmental impact.



Many of our materials can be recycled at the end of their life cycle.



We have our unique fabric option which allows 60% natural daylight to penetrate whilst eliminating harmful UV rays, this creates a natural environment and reduces lighting costs for those retail and sales spaces.



We are fully committed to ensuring our supply chain's values in respect to ethics and sustainability align with ours.

## OUR NETWORK

For over 55 years, Polyhouses have supplied countless structures to a number of sectors across the agriculture and horticulture industries.



## QUALITY EVERY TIME

Offering high quality polytunnel structures at affordable prices. Using aluminium gutters and infills, we are leaders of the market for reusable parts. Manufactured in our purpose-built UK factory, we offer a comprehensive range of options for your polyhouse framework, providing an ideal structure for your business.

## PIONEERS OF POLYTUNNELS

We proudly pioneered the use of swaged joint systems in tunnel design, guaranteeing the best quality and longevity for your polytunnel. Our design provides a strong and simple join for foundation tubes, hoops, ridges, and bracing. We have been manufacturing this system for over 35 years, as a leading influence in horticultural structures.

## VERSATILITY

Our tunnels serve as a solution for a variety of purposes and projects, providing unlimited possibilities, for commercial horticulture and livestock. Our designs with horizontal and vertical bracing arrangements across spans increase resistance against snow and wind loadings, particularly in exposed locations.

## GREAT RESULTS, LOW MAINTENANCE

Our frameworks are fabricated from galvanised steel & aluminium, devised to last with little or no maintenance for many years to come. All our tunnels use large diameter, high tensile UK manufactured steel tube to Z35 specification for superior grade structures.

“

**A great structure made by Fordingbridge. This has enhanced our display area and consequently improved sales. The team were extremely knowledgeable and helpful. Their input was invaluable. We wouldn't hesitate to use Fordingbridge again.**

Ian Burton, Owner of Lower Trees Nursery





## HYBRID STRUCTURE

Our most recent engineered polytunnel, designed as a highly ventilated growing environment with no-maintenance required, which can be installed using single or twin skin polythene methods to best suit the needs of your business and location.

### Specifications

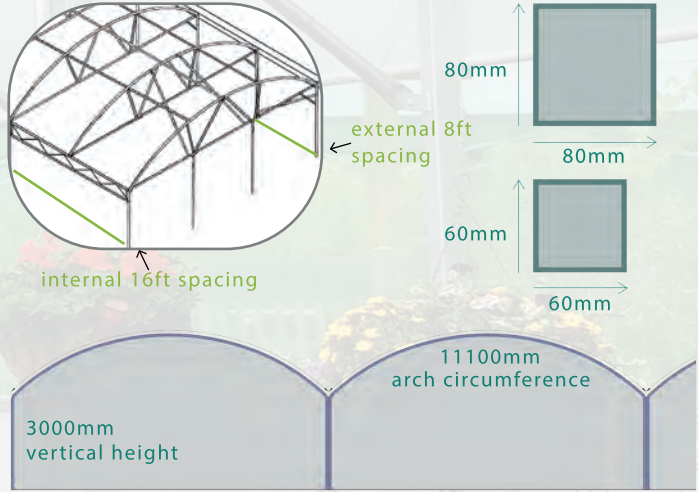
- 80mm x 80mm box section stanchions
- Standard 3m vertical sides to the gutter
- Internal 16ft spacings for improved sales/growing spaces
- Aluminium fixtures, fittings, and framework as standard
- Additional options are available
- Offers possibilities as a plant sales/retail space





# 9.6M HYBRID

Offering as a plant sales canopy solution for retail nurseries and farm shops that do not require full retail classification; aluminium gutters are supplied as standard, with options of steel skirts and double sliding doors. Roll up side vents are an optional extra, with sheeting methods to suit.



► Le Quesne's Nurseries & Garden Centre  
Jersey



Scan here to find out more

# MULTI-SPAN CBV



This range includes aluminium gutters with grip rail cladding systems, eave gutters, and cross-braces as standard. The framework comprises of only steel and aluminium resulting in little to no maintenance, guaranteeing longevity of the structure.

## Specifications - 21ft wide

Vertical side height: 8ft (2.4 metres)

Ridge height: 12ft (3.6 metres)

Hoop spacing: 8ft (2.4 metres)

Gutter height: 8ft (2.4 metres)

## Specifications - 26ft wide

Vertical side height: 8ft (2.4 metres)

Ridge height: 13ft (3.9 metres)

Hoop spacing: 8ft (2.4 metres)

Gutter height: 8ft (2.4 metres)



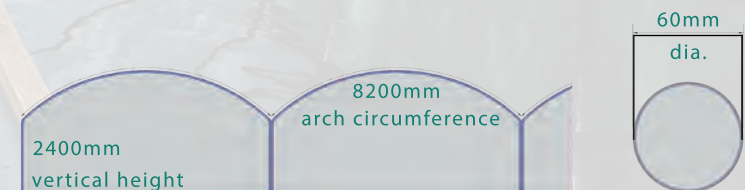
# MULTI-SPAN 21FT CBV

The 21ft Multilink CBV set the standard for UK horticulture over 35 years ago, when it was first introduced. Aluminium valley and eaves gutters are supplied as standard, and will never rust. The sides are completely vertical and include mid rails within the cost.



# MULTI-SPAN 26FT CBV

The 26ft Multi-link CBV has the same great features as the 21ft CBV, however uses 60mm high tensile tube and stanchions. It is ideal where greater internal space is required. Very little maintenance is required once built, and offers as a plant sales canopy solution that does not require full retail classification.



► Ocean Conservation Trust  
Plymouth, Devon



Scan here to  
find out more

# EURO RANGE

Assisting with ventilation where side rails set up to 1200mm (4ft), does not cause rain to drip into the structure. All Polyhouse framework uses Z35 high tensile steel tube, galvanized for maximum corrosion prevention.

## Specifications

Vertical height: 3ft 3ins (1m) from ground level

Widths: 5m to 9m (1m increments)

Hoop spacings: 8ft (2.4 metres)

6m+ widths allows the option for all our door and vent combinations

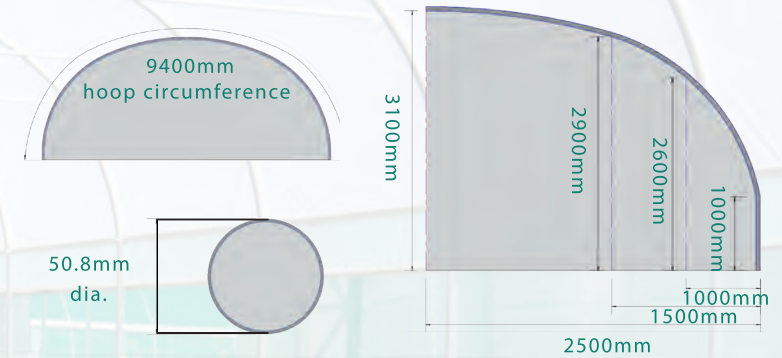
Set on swaged foundations





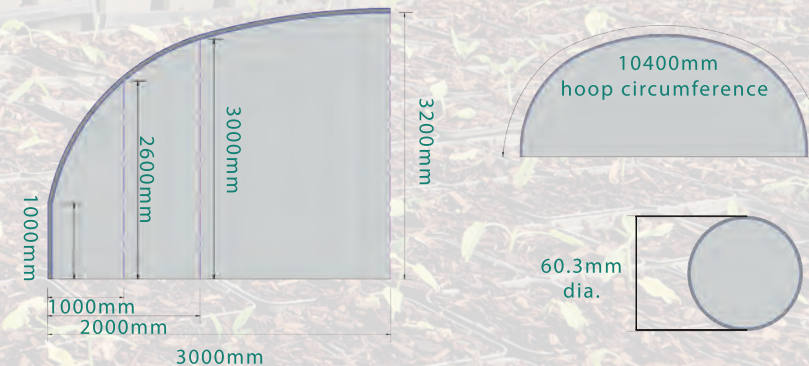
# EURO 5M

The 5m width is the smallest available in our Euro range is made of high tensile 50mm tube. The vertical 1m height ensures maximum space utilisation in this relatively narrow structure.



# EURO 6M

Despite the vertical sides, this clever design has kept the ridge height down to only 3.2m. This structure allows for excellent ventilation and maximum strength. All door and vent combinations can be used.



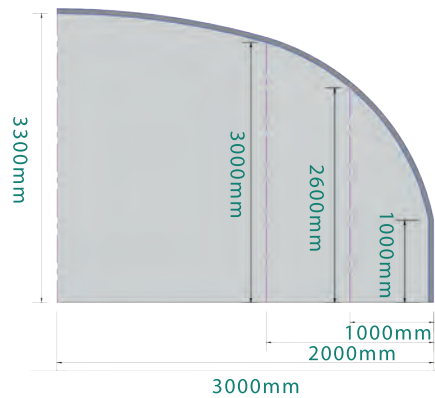
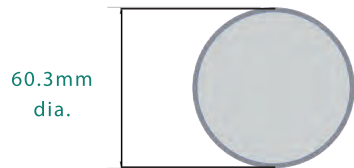
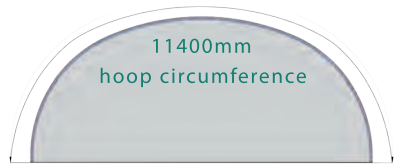
▶ [Crocus.co.uk](http://Crocus.co.uk)  
Windlesham, Surrey



Scan here to  
find out more

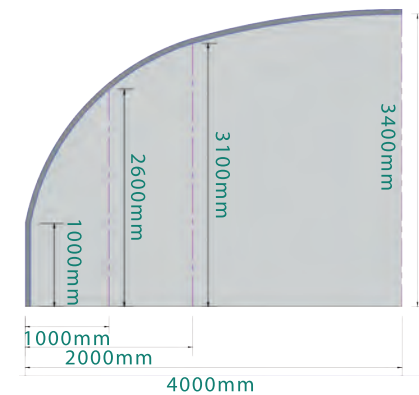
# EURO 7M

A great all round structure, ideal for almost any crop, with excellent side clearance yet retaining a ridge height of only 3.3m. This structure is the tunnel of choice for many small to medium sized nurseries. All door and vent combinations can be used.



# EURO 8M

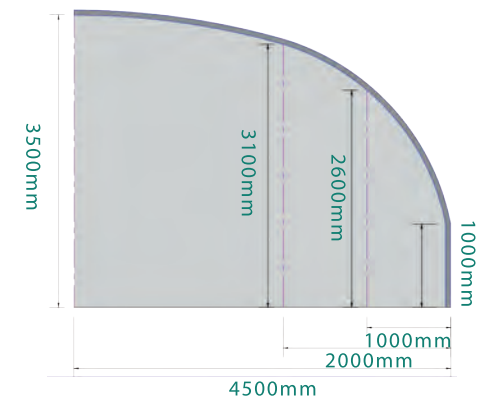
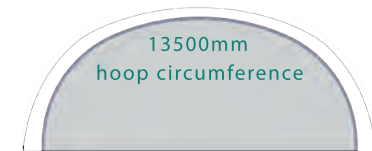
With this wider span structure, the mixture of height, space, and ventilation is unrivalled. The 3.4m ridge height allows almost any plants to be grown and with optional cross-bracing, this polyhouse is ideal for hanging baskets or vegetable crop support. The 8m Euro also provides the choice of all door and vent combinations.





# EURO 9M

The 9m (30ft) span offers as an excellent cost per unit area with wonderful air space and almost always used with side ventilation for optimum growing conditions. The ridge height of 3.5m allows almost any plant to be grown. This structure includes cross bracing as standard which is often used for baskets or other crop support. This single span can use all door and vent options.





# STANDARD RANGE

## Specifications

Widths: 18ft, 21ft, 24ft, and 28ft available

Hoop spacings: 8ft (2.4 metres)

Excellent side clearance and 'shoulder room'

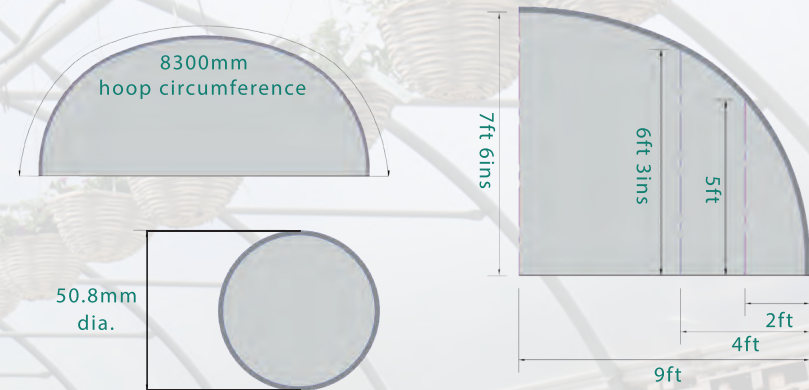
Versatile and competitively priced; our tunnels are desirable for small to medium sized areas, are suitable for numerous crops, and using large diameter Z35 tube, all with single ridge and set on swaged foundation tubes. These polytunnels are fast to build and have a secure anchorage to the ground. With a lower height profile, this can be an advantage for planning permission purposes.





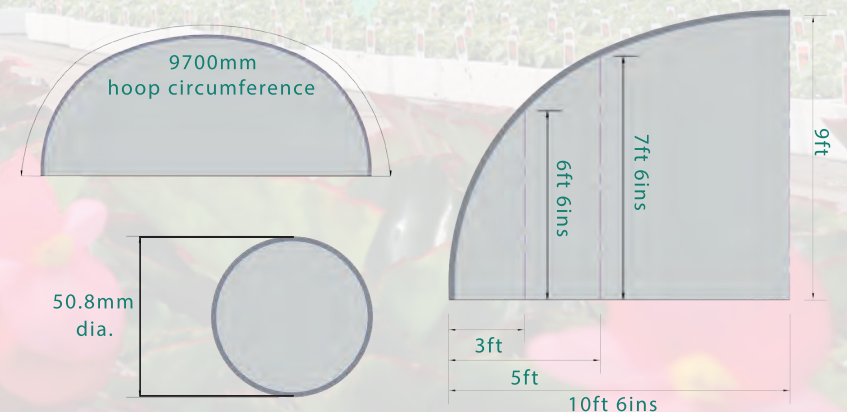
# STANDARD 18FT

The smallest of the standard polytunnel range available, which is versatile and competitively priced.



# STANDARD 21FT

Ventilation is improved dramatically with increased tunnel width because of the greater height and volume of air. Side ventilation is very economic on structures of 21ft and upwards. All door and vent options are available for this tunnel.



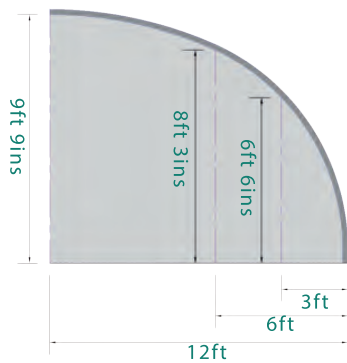
► Ferring Nurseries  
Ferring, West Sussex



Scan here to  
find out more

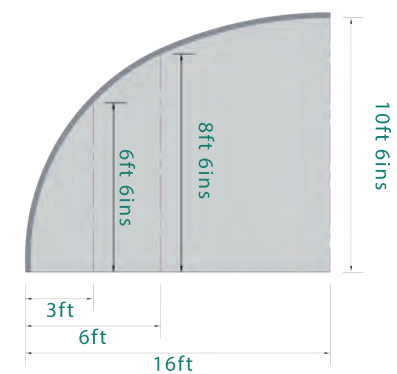
# STANDARD 24FT

The 24ft wide tunnel has excellent side clearance and with the extra width of the span, this allows for greater flexibility for path layouts and crop.



# STANDARD 28FT

This structure was introduced by us over 35 years ago. It is highly cost effective with great side clearance. Its high strength and uncluttered design has made it the choice for thousands of growers. Any combination of vents and doors can be added.



“

**We are delighted with our 400 square metre Fordingbridge polytunnel, funded through the Green Recovery Challenge Fund. Seagrasses are one of the most valuable habitats on our planet, but around 90% have been lost over the last century. Our polytunnel is a key part in restoring what we have lost, through our Blue Meadows Programme.**

Mark Parry, Head of Development at the Ocean Conservation Trust



# HOW TO ORDER

Based throughout the UK and offering a localised regional service, our agents would be delighted to hear from you. Well accustomed to the exceptional quality and practical benefits of Fordingbridge Polytunnels, our agents are able to provide expert advice on your own polyhouse project. Whether you are looking to invest in a large multi-span, or a smaller more budget-friendly single-span polytunnel, guidance and expert-support can be sought from our Agents,

If you are unable to contact your nearby agent, our Horticulture Sales Team at Fordingbridge are happy to help.

## **BHGS, Worcestershire**

Contact: Bob Bufton  
Tel: 01386 444100  
Email: sales@bhgsltd.co.uk  
Website: bhgsltd.co.uk

## **Cropwatch Horticulture, Dover**

Contact: Trevor Austin  
Tel: 01304 363383  
Email: austin-cropwatch@hotmail.co.uk  
Website: cropwatchhorticultur.wixsite.com/cropwatchhorticultur

## **Hortech Systems Ltd, Lincolnshire**

Contact: Aaron Parker  
Tel: 0800 316 0532  
Email: aaron@hortechsystems.co.uk  
Website: hortechsystems.co.uk

## **J F H Horticultural Supplies Ltd, Cheshire**

Contact: Marvin Hutchins  
Tel: 01270 212726  
Email: marvin@jfhhorticultural.com  
Website: jfhhorticultural.com

## **Tennelly Products, County Armagh, N. Ireland**

Contact: Ruairi Tennyson  
Tel: 07871 999472  
Email: marvin@jfhhorticultural.com  
Website: donnellyhorticulture.com

## **XL Horticulture, Devon**

Contact: Owen Lane  
Tel: 01404 823044  
Email: owen@xlhort.co.uk  
Website: xlhorticulture.co.uk

# MANUFACTURE AND DELIVERY

With our purpose-built West Sussex factory, all components are manufactured by us in-house for optimal quality, cost, and turnaround.

Our in-house logistics team ensure your materials reach site in an efficient and timely manner, ahead of the deadline. Working with a magnitude of nurseries, growers, and retailers across the UK for over 55 years, we work closely with all our clients to ensure the success of every project.



Scan here for  
more contact  
information



● **Planning permission**

In most cases, planning permission is required for these types of structures. With our in-house design team, we can supply the necessary drawings to assist in your application.

● **Timber end frames**

Single span Polyhouses are available with or without timber end frames, allowing you the option of designing or supplying your own end frame arrangement. The standard frame supplied is depicted on the relevant model specification.

## OUR GUIDE TO PURCHASE

To ensure that you find the right polytunnel for you and have an easy purchase process, please read our guide.

● **Polyhouse sheeting and ventilation options**

Our most popular sheeting available, supplied by Berry BPI, not only enhances the fragrance, flavour, and crop colouring, but also assists in the development of plant anti-oxidants; encouraging better growth and production. By assisting in the UV light availability to crops, this can increase the health and production of crops in shorter durations, making for a more economical and financial solution without the need for powered lighting or heat sources.

● Polyhouses offer various adaptations to enhance control at low cost, since warmth and lighting can be utilised via the Lumisol sheeting and ventilation options. This results in a significant reduction of chemicals and additional assistance required, and so achieving better growth opportunities and an increase in sustainable practices for garden centres, nurseries and in farming. Many have found that as a result, crops and plants have improved health and a reduction in crop stress, as control is given back to the growers.

● We choose Berry BPI as our main source of polythene as they strongly recognise and strive to align with various corporate social responsibilities, such as the considerations of recycling polythene wastage, whilst maintaining high quality sheeting, suitable for our polyhouses. This is evident by awards for their various horticultural practices and the sheetings available.



### ● Foundations

We recommend that all our Polyhouses are anchored using concrete foundations. As a rule of thumb, you will need 1 cubic metre for every 10 foundation tubes. For example, a 7m x 18m Euro would need approximately 2 cubic metres.



Scan here to find out more

### ● Ground rails

We offer a range of aluminium and timber ground rail kits. These can generally be fitted to all tunnels provided the foundation tubes are concreted in the ground and the hoop is fixed to the foundation tubes.

### ● Aluminium box ground rails

A quick and easy system for fixing sheets that cannot be buried in the ground. Kits comprise of aluminium extrusions for clamping to the tunnel frame, fixing bolts, and infills.

### ● Timber ground rails

A cheaper alternative and are essential to secure a lift-up side vent. Kits comprise of 75mm x 50mm timbers for clamping to the tunnel frame, fixing bolts, and battens.

# CLADDING CALCULATIONS

## Single-span polyhouses

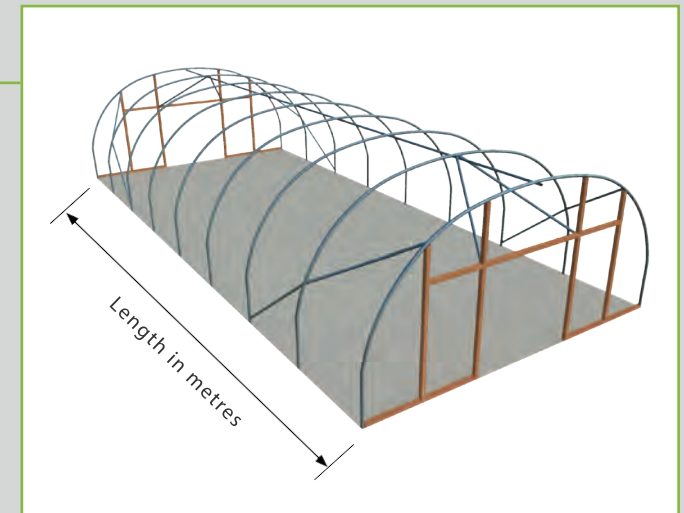
### Ordering the correct size

The size of the polyhouse is taken from the centre of the foundation tubes, down the length of structure.

With our single-span ranges, the measurement is taken from the outside of the hoop span to ground level.

With multi-spans, you would take the inner span from centre of the gutter to gutter.

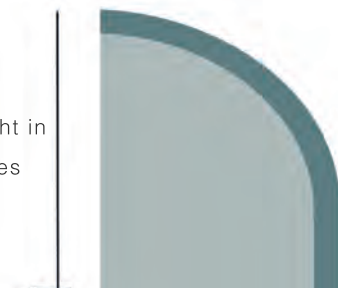
Unless a ground-level rail is being used, the prices we quote take into account the trenching of the polythene or netting at the sides of the tunnel. We also include the cost of the anti-hot spot tape when sheeting is ordered with a new polyhouse framework. If you're providing your own cladding, you must add at least 0.75m (2ft 6ins) each side to trench into the ground, or at least 0.3m (1ft) if cladding to a side rail.



Hoop circumference  
measurement in metres



Height in  
metres



### Length of sheeting:

$(\text{Height [m]} \times 2) + \text{Length of tunnel [m]} + 1[\text{m}] = \text{length of sheeting required.}$

### Width of sheeting:

Hoop circumference measurement [m] = width of sheeting

**Note:** Widths of sheeting available are 7.3m, 9.2m, 11.1m, and 14.0m, therefore if your width is 8.2m, you would require 9.2m width sheeting.

Lengths of sheeting are available in full metre lengths only.





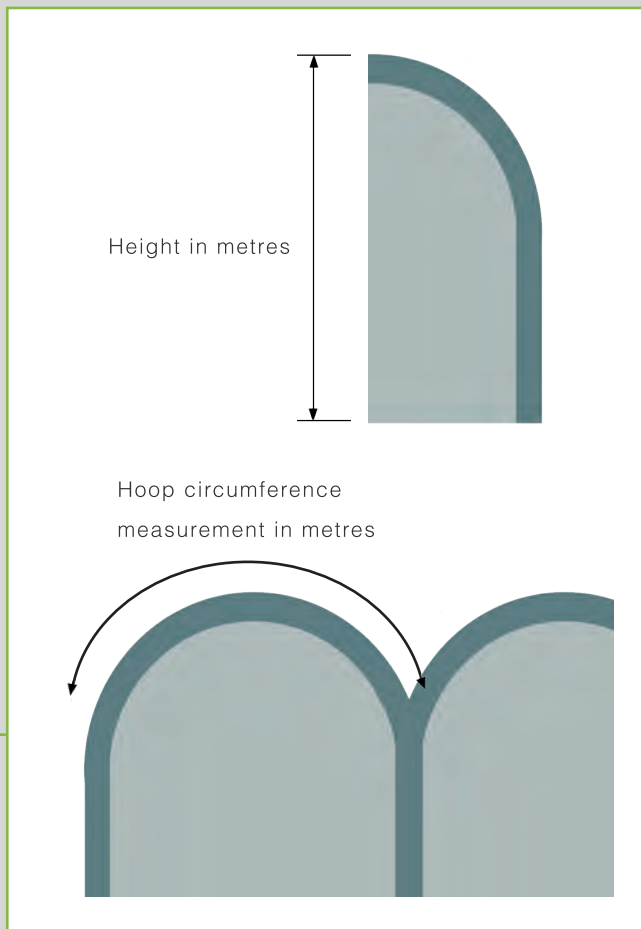
Lumisol clear



Lumisol diffused



Green monofilament netting



**Length of sheeting:**

(Height [m] x 2) + Length of tunnel [m] + 1[m] = length of sheeting required.

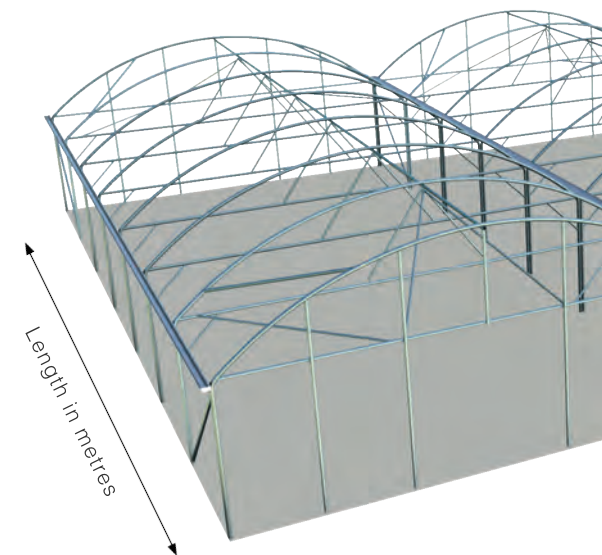
**Width of sheeting:**

Hoop circumference measurement [m] = width of sheeting

**Note:** Widths of sheeting available are 7.3m, 9.2m, 11.1m, and 14.0m, therefore if your width is 8.2m, you would require 9.2m width sheeting. Lengths of sheeting are available in full metre lengths only.

**For multi-spans,** once length and width for 1 span is calculated, multiply by number of spans and add an extra sheet for the sides.

**Multi-span polyhouses**





# VENTILATION AND AIR CIRCULATION

Our polyhouses are sealed to a greater extent than conventional glasshouses. Ventilation and air circulation is vital for plant growth and health, therefore please select one of the following options for your polytunnel:

## TIMBER

### Rails

Timber rails are a low cost, simple system, and easy to install. The edge of the film is wrapped around a batten which is then nailed to a timber rail, bolted to the polyhouse frame.

## ALUMINIUM

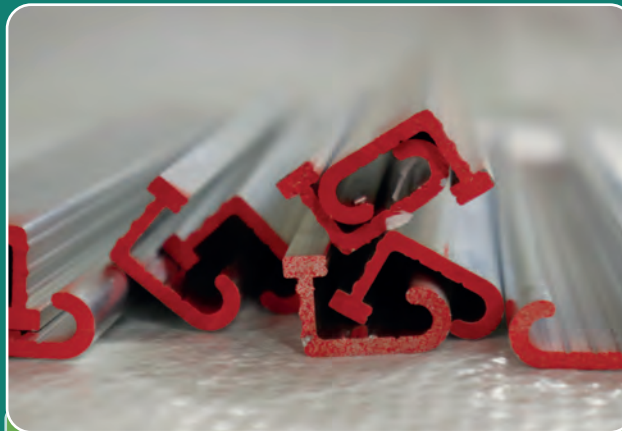
### Rails

Aluminium rails are to secure flexible sheeting. A base extrusion is secured to the structure and the cladding stretched over it. The aluminium infills are then inserted into the base securing the film between the two components. Grip rail is extremely versatile and can be used with a wide range of different film thicknesses, simply using a different infill to match the cladding material used. These mid rails come complete with railing for each side of the structure, including a minimum 1.2m return at each end. Fittings for the rails are included. The height of vents depends on the hoop profile.

## ALUMINIUM

### Roll up side vents

Roll up side vent systems work with film being wound around a tube, which is turned manually using a small gearbox. In certain situations, it can be electrically operated. This is a clean and neat system which works on a curved side and can be retro-fitted if required, as well as on gable ends of multi-spans if there are not too many door apertures.



**Our infills come in red, green, and black for different claddings.**

## LOUVRES

### Gable-end vents

The larger polyhouses can benefit from our effective louvre vents which can be arranged at high, low, or side levels of the doorways in most polyhouses. These have a simple spring loaded 3-position hinge stay for variable ventilation rates. Other options may be possible, please contact us for details.

“

**I have always dealt with Fordingbridge tunnels for my tunnel requirements. I have bought from Fordingbridge as the quality and price has always been very good. The products have always been well made, and with our site being very exposed to prevailing winds, the tunnels have stood up very well to what has been thrown at them so far. I would definitely recommend Fordingbridge to other businesses for their tunnel needs.**

Derek Upton, Owner of Meadow Farm Nurseries



# FREQUENTLY ASKED QUESTIONS

## Are ground rails needed?

We offer options of aluminium and timber ground rail kits. These can generally be fitted to all tunnels provided the foundation tubes are concreted in the ground and the hoop is fixed to the foundation tube. Aluminium box ground rails are a quick and easy system for fixing sheets that cannot be buried in the ground. Kits comprise of aluminium extrusions for clamping to the tunnel frame, fixing bolts, and infills.

Timber ground rails comprising of 75mm x 50mm timber for clamping to the tunnel frame, fixing bolts, and battens can be an alternative option.



## What is anti-hot spot tape?

Anti-hot spot tape is a white polyester-faced foam, backed with adhesive to fix securely to the surface of steel hoops, with a low co-efficient of friction, to reduce abrasion between the hoop and cover. Using this tape can extend the life of polythene films by at least one year. It is important that anti-hot spot tape is replaced every second cladding.

## What are swaged tubes?

A swage is where the tube end is reduced in diameter for approximately 125mm along its length. This allows tubes to sleeve together giving a low cost, extremely strong joint which is fast to assemble. The foundation tubes to hoops, the hoops themselves, the ridge, and cross-braces use this swage system. Fordingbridge pioneered this system for optimal quality and convenience in polytunnel design.

## What is cross-bracing?

Cross-bracing is a horizontal and vertical bracing arrangement across the span of a hoop. It can increase the resistance to snow and wind loadings, particularly in exposed positions and can, in some instances, be used as a 'crop support' for the hanging of baskets/containers and irrigation lines.

## What are the cladding options?

Please note we strongly recommend the use of anti-hot spot tape between the steel tunnel frame and all claddings as the use of anti-hot spot tape can extend the life of the polythene film. For this reason, we include the tape in the pricing of the cladding when purchasing a new structure. See page 27 for more information on our anti-hot spot tape.



### Visqueen Lumisol 'Clear' 5S

Clear cover incorporating a UV 'Transparent' characteristic. This cover transmits a high percentage of UV light which can assist the colour, flavour, and fragrance in a wide range of flower and full crops.

### Visqueen Lumisol 'Diffused' 5S

Very high diffusing cover incorporating a UV 'Transparent' characteristic. In addition, UV transparent films promote plant anti-oxidants, which are good for health, and encourage stronger plants. This greatly benefits plant raisers and young-plant growers, as stronger plants can be easier to plant out thus saving time and raising productivity.

### Visqueen Lumisol 'White' 5S

A cover with shade producing properties. Transmits a lower percentage of UV light. This film is 720 gauge (180mu) thick, with a five-year guarantee when fitted correctly with the use of our anti-hot spot tape.

### XL Polythene

Offering a complete range of polythene to suit your growing requirements, and incorporates technologies to increase the strength of their films as well as offering all the features and benefits of other polythene films.

### Netting Sheets

Bespoke sizes made using black tape net or green monofilament net.

We offer a complete range of polythene to suit your growing requirements, offering all the features and benefits of other polythene films.



**POLY HOUSES**  
 polyhouses.com  
 Division of Fordingbridge Plc

**Serving horticulture professionals for over 55 years**



**Fordingbridge Plc,  
 Arundel Road,  
 Fontwell,  
 Arundel,  
 West Sussex,  
 BN18 0SD**

www.polyhouses.com  
 info@polyhouses.com  
 01243 554455