



**Zhejiang Zhanggong Technology Co., Ltd**

**30 YEARS**

Experience OEM ODM plastic  
Product manufacturer

# Company Introduction



Zhanggong technology Founded in 1995. We have been engaged in the plastic commodity production industry for 30 years.

It has more than 90+ patented products and more than 10 kinds of qualification certificates such as IQNET/CQM BSCI, ISO9001, ISO4001, ISO45001.UL, etc.

We have 2 production workshops with a total area of about 22000 square meters. It mainly produces PET Organizer storage bin, Plastic food container, Coarse grain tank, storage box, water bottle etc. and other daily necessities. We are very familiar with the operation of gift orders and Amazon orders. Amazon orders can be delivered 3-5 days after placing orders.

We have over 5 Quality Control staff working between 2 production workshops to ensure consistent quality.



Integrity

Innovation

Responsibility

Common  
Development

3 main production workshops for PET fridge organizer storage  
boxes/organizer food storage bins

30 years has been established

80+ sets of production equipment

150+ employees

22000+ square meters of production area

200 square meters scene Shooting Hall

500 square meters of exhibition hall

500+ item number

12+ people sales team

10+ new products, launched every month

2 new catalogue each year

102 proprietary products



1.Specializing in Kitchen home storage products

2.Huge Experiences with big Customers

3.Excellent R&D team

4.Fast reaction to market

5.Professional ODM/OEM manufacturing factory

6.One-stop service for product video and photo pictures

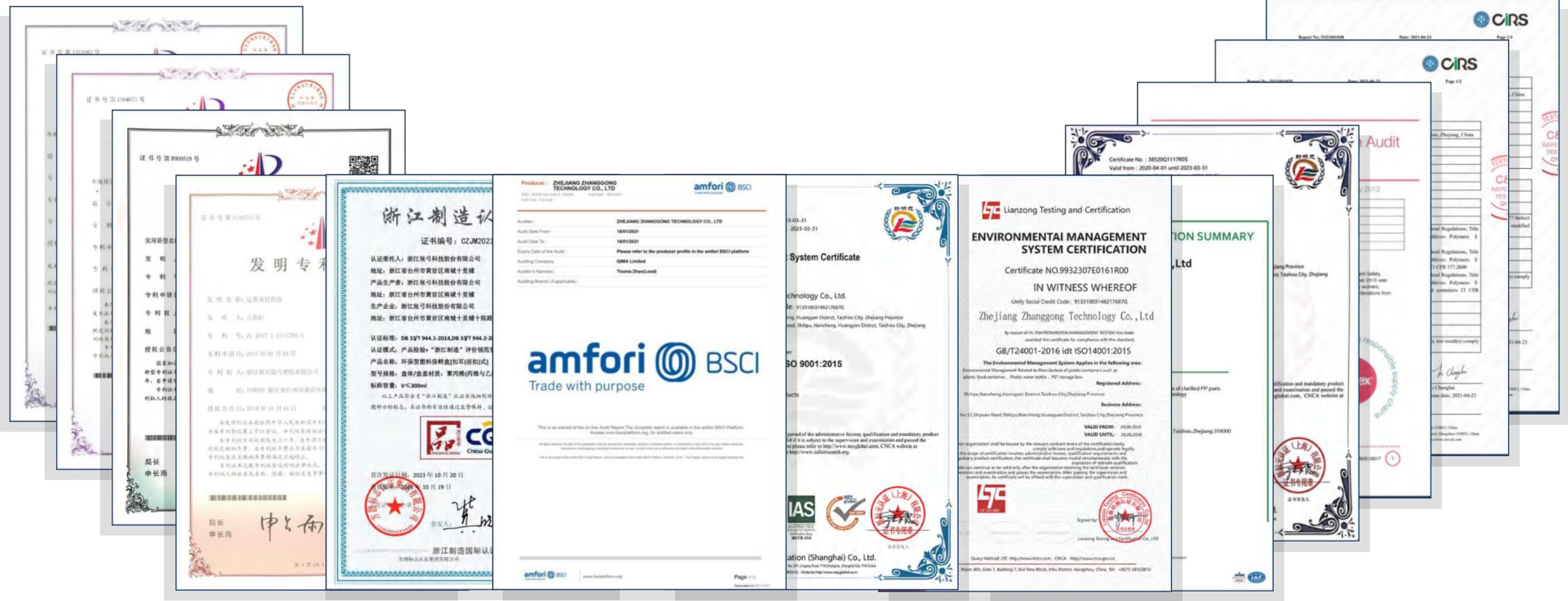
# Our Customers



# Our Customers-超市类



# Our Certification



# Our Certification



Collage of 10 test reports from CIRS (China Inspection and Research Services) and GST (General Standard Testing) laboratories. Each report includes a title, date, sample information, test results table, and photographs of the tested items.

### Report 1: GST (Page 2 of 4)

Report No.: RGST230918607 Date: Sep 25, 2023

Photograph(s) of Sample

No.	Sample Serial No.	Test Component(s)	Type/Model	Material/Colour	Other Info.
001	TS2110797001	Packing bag	/	PE	/
002	TS2110797002	Bubble bag	/	PE	/
003	TS2110797003	Container	/	PET	/
004	TS2110797004	Bottle	/	TPR	/
005	TS2110797005	Container	/	PET	/
006	TS2110797006	Bottle	/	PET	/

### Report 2: CIRS (Page 1 of 1)

Report No.: TS2110797001 Date: 2023-09-24 Page 211

Test Component(s)	Test Result(s)		Conclusion
	1 <sup>st</sup> Migration	2 <sup>nd</sup> Migration	
001	<0.100	<0.100	Pass
002	<0.010	<0.010	Pass
003	<0.010	<0.010	Pass
004	<0.010	<0.010	Pass
005	<0.010	<0.010	Pass
006	<0.010	<0.010	Pass

### Report 3: CIRS (Page 24)

Report No.: TS2110797001 Date: 2023-09-24 Page 214

No.	Sample Serial No.	Test Component(s)	Type/Model	Material/Colour	Other Info.
001	TS2110797001	PP Lid	/	/	/
002	TS2110797002	PS Container	/	/	/
003	TS2110797003	Silicon sealing ring	/	/	/

### Report 4: CIRS (Page 24)

Report No.: TS2110797001 Date: 2023-09-24 Page 214

No.	Sample Serial No.	Test Component(s)	Type/Model	Material/Colour	Other Info.
001	TS2110797001	PP Lid	/	/	/
002	TS2110797002	PS Container	/	/	/
003	TS2110797003	Silicon sealing ring	/	/	/

### Report 5: CIRS (Page 24)

Report No.: TS2110797001 Date: 2023-09-24 Page 214

No.	Sample Serial No.	Test Component(s)	Type/Model	Material/Colour	Other Info.
001	TS2110797001	PP Lid	/	/	/
002	TS2110797002	PS Container	/	/	/
003	TS2110797003	Silicon sealing ring	/	/	/

### Report 6: CIRS (Page 514)

Report No.: TS221059000 Date: 2022-03-16 Page 514

No.	Sample Serial No.	Test Component(s)	Type/Model	Material/Colour	Other Info.
001	TS2210590001	Refrigerator Container	/	PET	/
002	TS2210590002	Draining Board	/	PP	/

### Report 7: CIRS (Page 514)

Report No.: TS221059000 Date: 2022-03-16 Page 514

Test Component(s)	Test Result(s)		Conclusion
	1 <sup>st</sup> Migration	2 <sup>nd</sup> Migration	
001	<0.010	<0.010	Pass
002	<0.010	<0.010	Pass
003	<0.010	<0.010	Pass
004	<0.010	<0.010	Pass
005	<0.010	<0.010	Pass
006	<0.010	<0.010	Pass
007	<0.010	<0.010	Pass
008	<0.010	<0.010	Pass
009	<0.010	<0.010	Pass
010	<0.010	<0.010	Pass
011	<0.010	<0.010	Pass
012	<0.010	<0.010	Pass
013	<0.010	<0.010	Pass
014	<0.010	<0.010	Pass
015	<0.010	<0.010	Pass
016	<0.010	<0.010	Pass
017	<0.010	<0.010	Pass
018	<0.010	<0.010	Pass
019	<0.010	<0.010	Pass
020	<0.010	<0.010	Pass

### Report 8: CIRS (Page 514)

Report No.: TS221059000 Date: 2022-03-16 Page 514

No.	Sample Serial No.	Test Component(s)	Type/Model	Material/Colour	Other Info.
001	TS2210590001	Refrigerator Container	/	PET	/
002	TS2210590002	Draining Board	/	PP	/

### Report 9: CIRS (Page 514)

Report No.: TS221059000 Date: 2022-03-16 Page 514

No.	Sample Serial No.	Test Component(s)	Type/Model	Material/Colour	Other Info.
001	TS2210590001	Refrigerator Container	/	PET	/
002	TS2210590002	Draining Board	/	PP	/

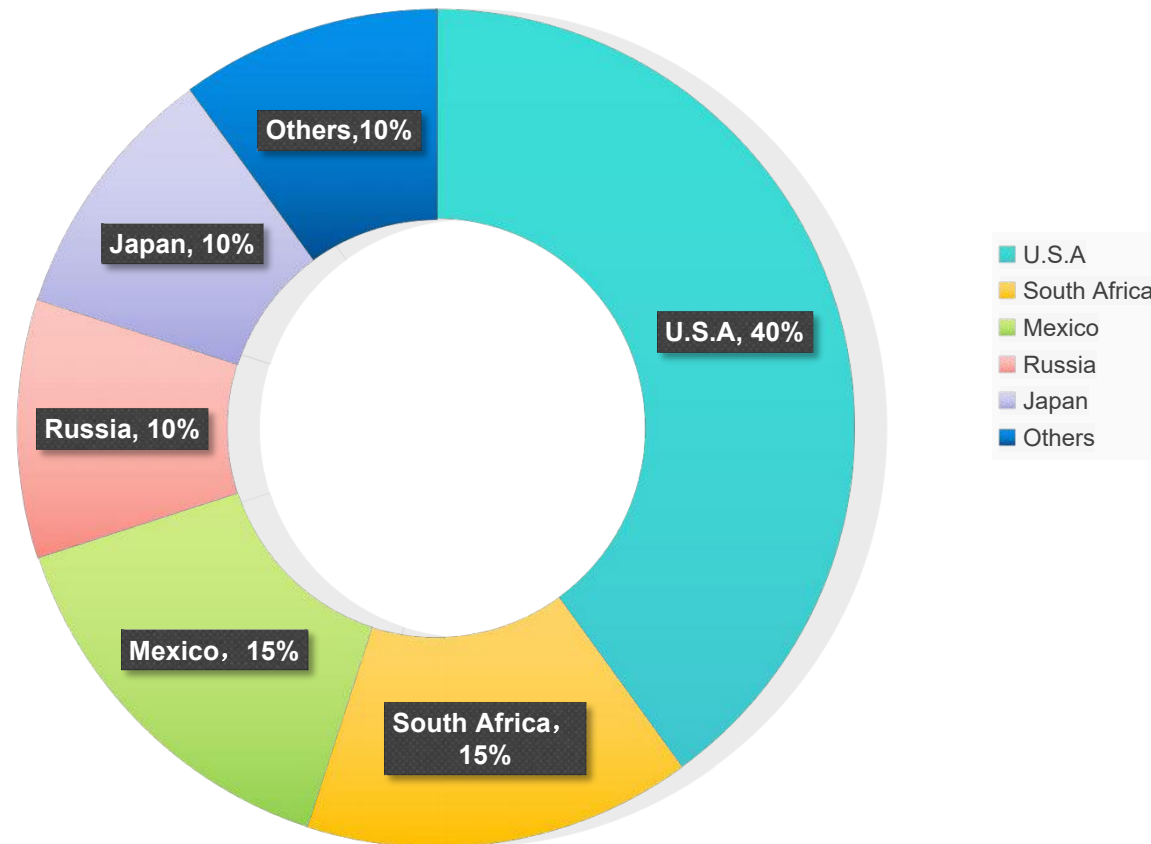
### Report 10: CIRS (Page 514)

Report No.: TS221059000 Date: 2022-03-16 Page 514

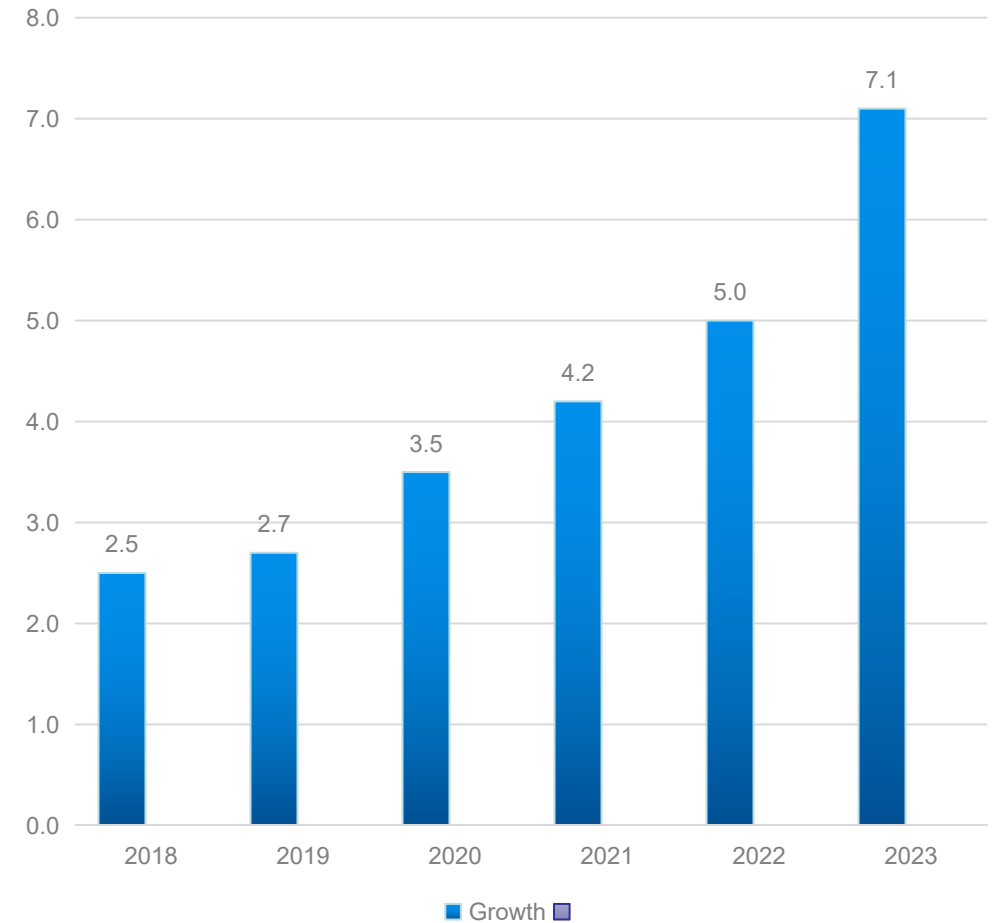
No.	Sample Serial No.	Test Component(s)	Type/Model	Material/Colour	Other Info.
001	TS2210590001	Refrigerator Container	/	PET	/
002	TS2210590002	Draining Board	/	PP	/



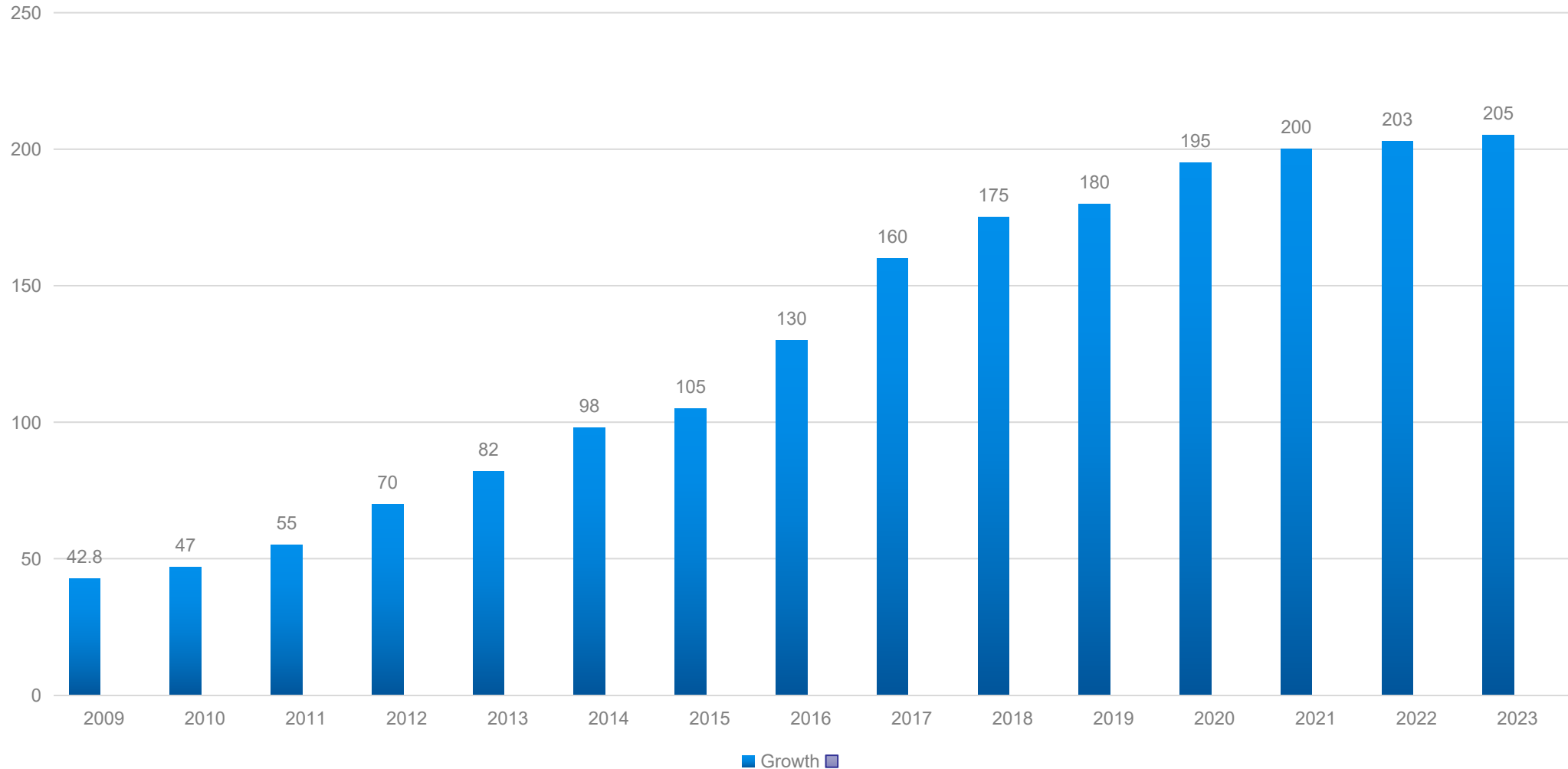
## 2023 THE MARKET SHARE



## Million usd



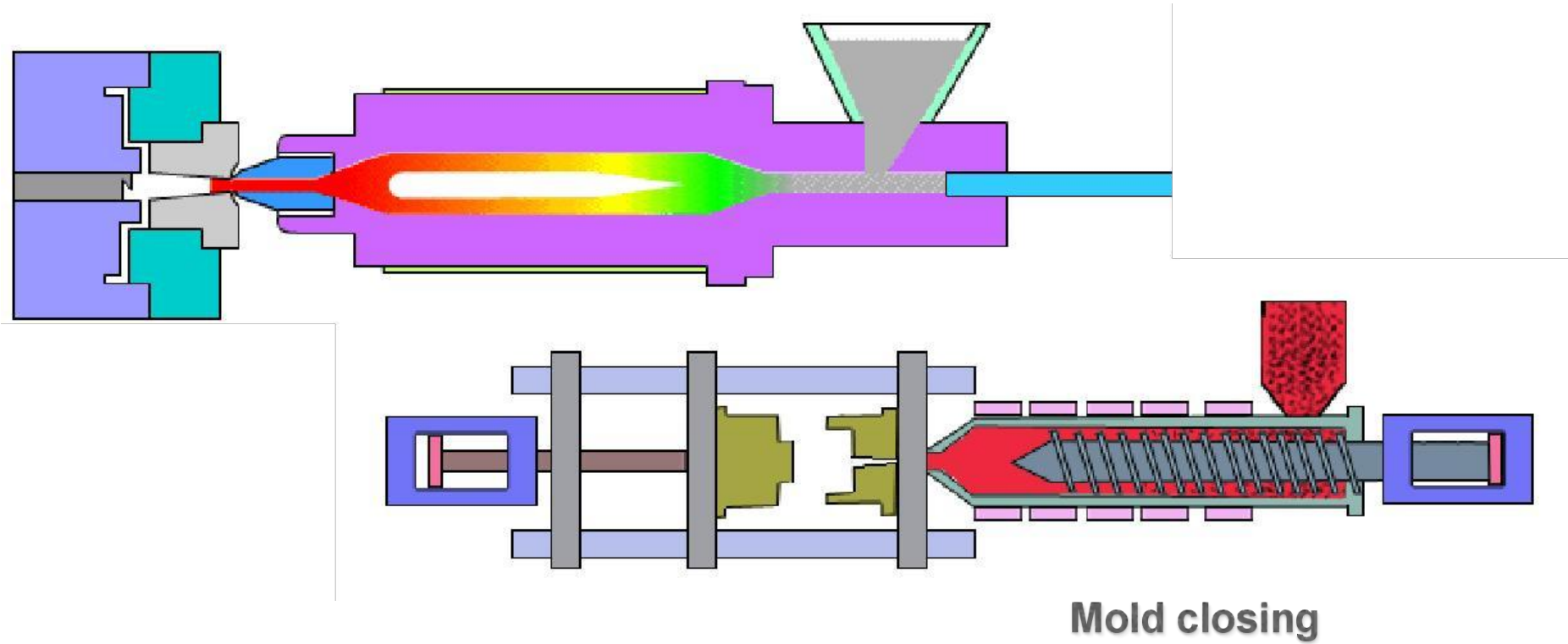
## Annual Volume with **Dicos** Recent 15 years

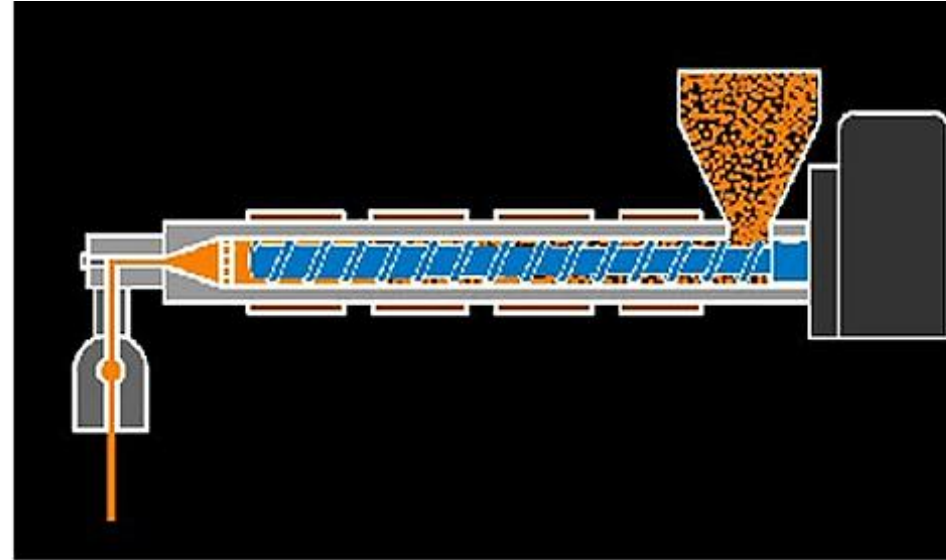
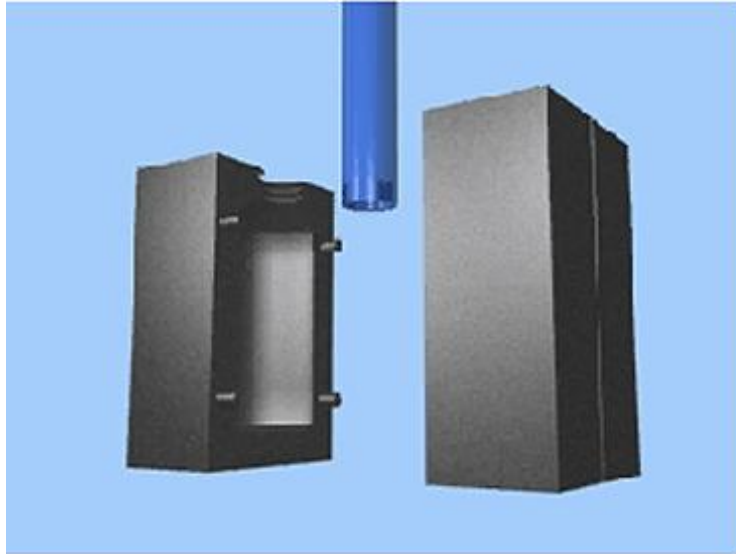


**ISO 9001 14001 45001** standard. Automated Machinery, Pipeline operation



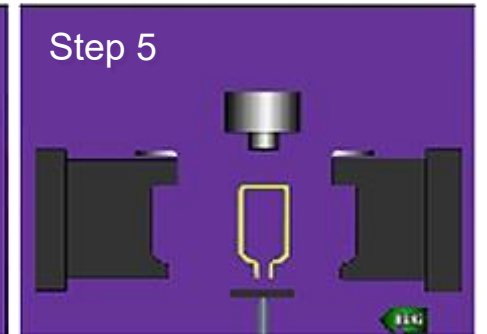
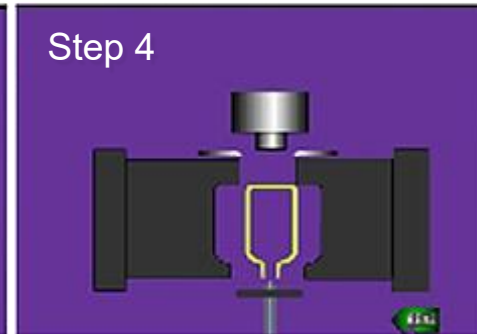
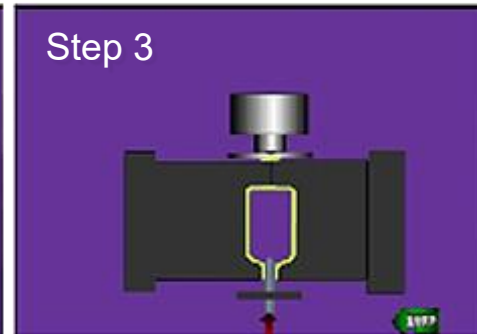
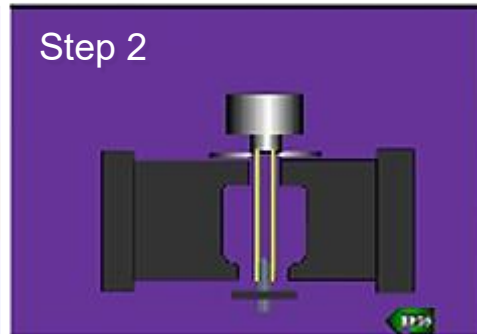
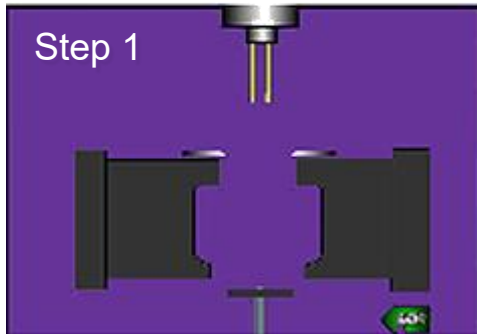
## Injection molding process Display

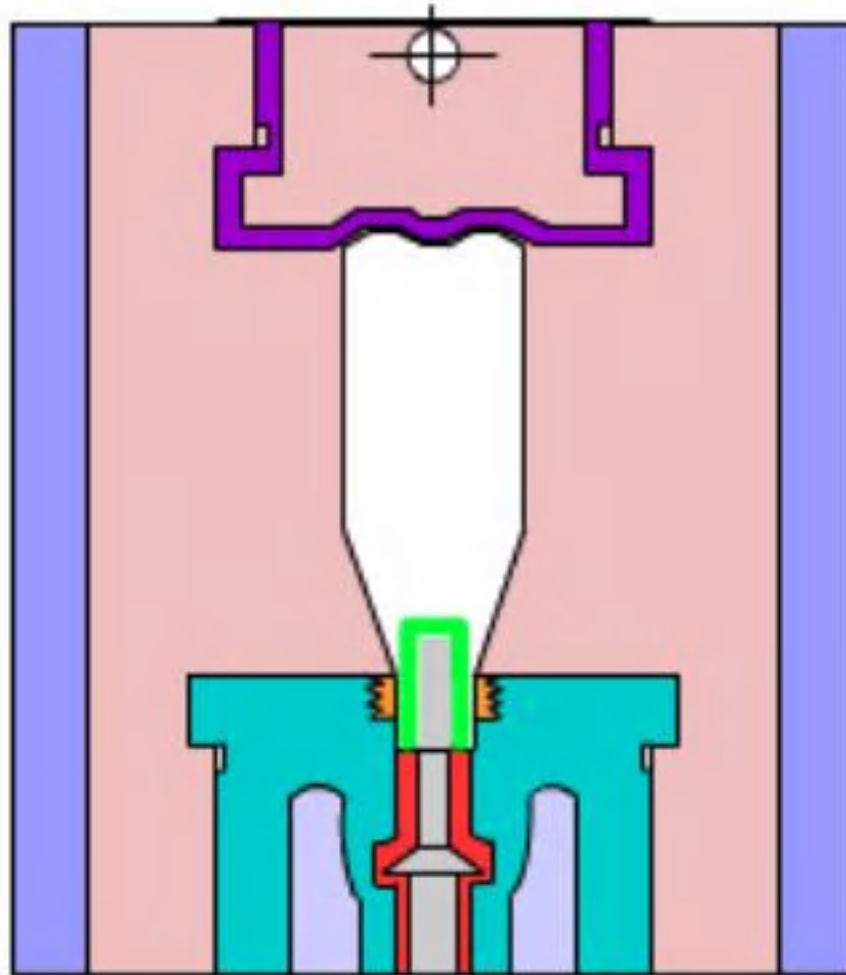




Extrusion blow molding process

## One-step blow molding





**Injection molding + blow molding**

**Two-step blow molding**

# Blow molding product display



BETWEEN HEAVEN  
EVERY S

# Our Showroom





# Exhibition Show



Hong Kong



Indonesia



Canton Fair



Canton Fair



Canton Fair



Hong Kong



Hong Kong

# New products



Amazon hot sale



amazon  
fba





# Thank you!

## Contact us

Zhanggong Technology



**Address**

No.53, Shilipu Shiyuan Road, Nancheng,  
Huangyan District, Taizhou, Zhejiang,  
China



**Cel:**13018885002

**Tel:**0576-84185665



**Fax**

0576-84181095



**Email**

[jennyzhang@zhang-gong.com](mailto:jennyzhang@zhang-gong.com)