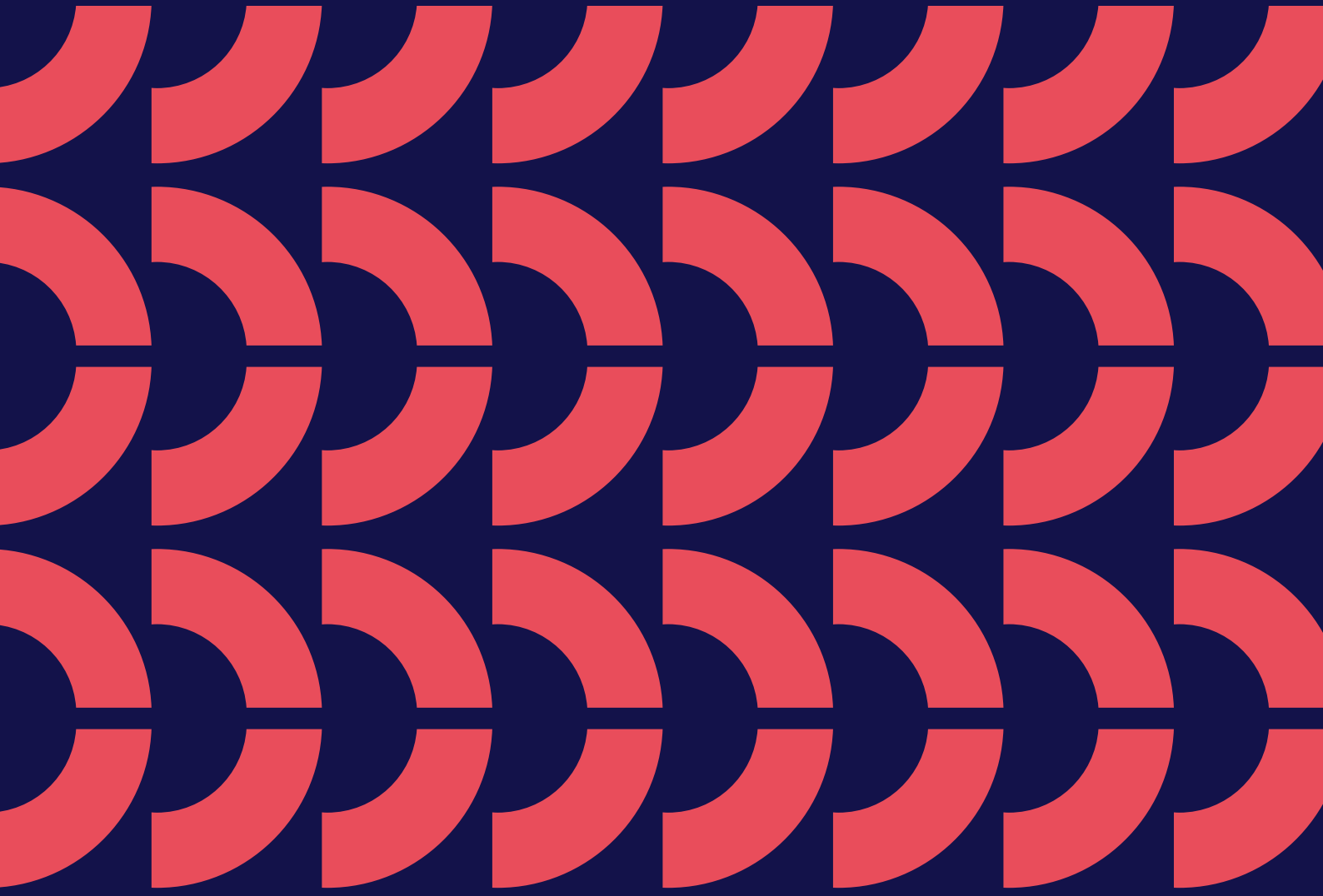




Pro**Kiosk**, our self-service solution, has been created specifically for visitor attractions.

Optimise your Front of House and Admissions process to enhance your customer experience.



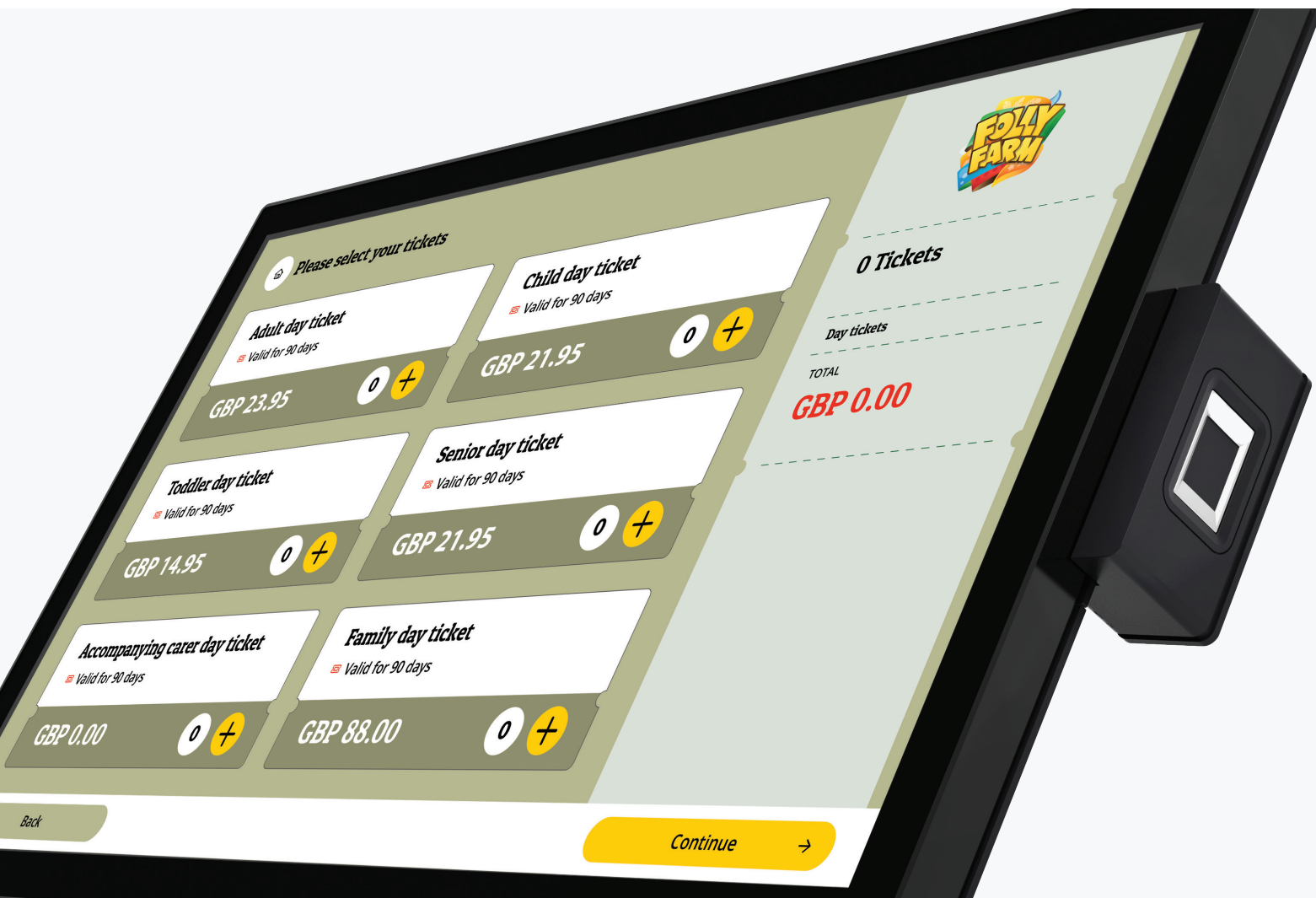
ProKiosk was developed to help streamline your admissions process, by reducing queues and accelerating the ticketing process.

Traditional admissions process requires several members of your team to man tills and entry points, forcing customers with simple admission requirements to queue alongside customers with queries and more bespoke requirements.

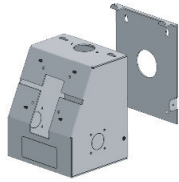
ProKiosk removes that need, allowing customers to quickly purchase tickets and make payment.

You can also integrate ProKiosk with access control, as the barcodes on ProKiosk tickets control your turnstiles, delivering an automated ticket purchasing, redemption and access process.

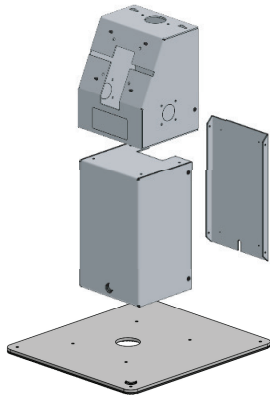
- Reduce queue times
- Intuitive booking process
- Integrates with DigiTickets
- Integrates with access control
- Real-time reporting



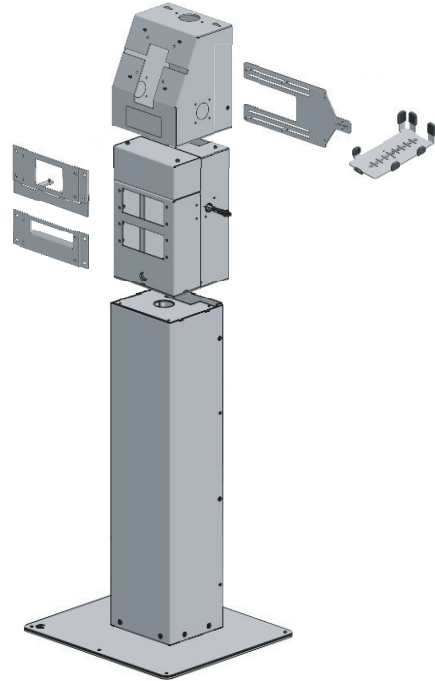
Configurations Available:



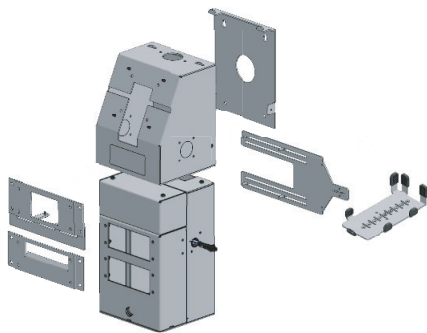
Wall Mount Info Point



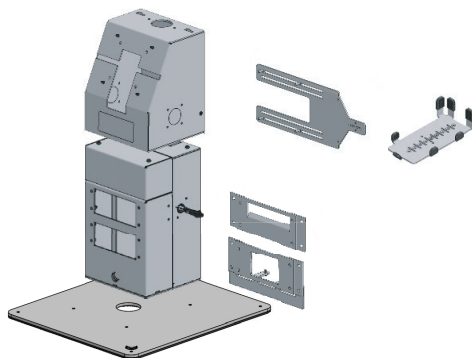
Desk Mount Info Point



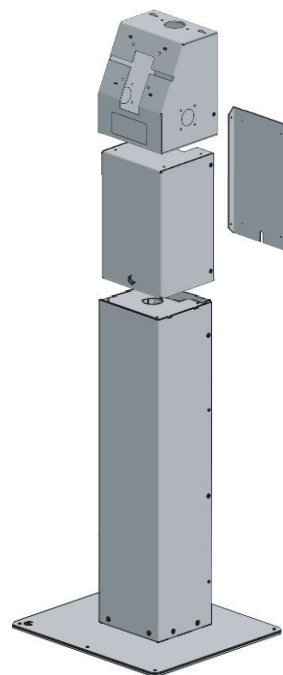
Wall Mount Print / Scan / Payment



Wall Mount Print / Scan / Payment



Desk Mount Print / Scan / Payment



Wall Mount Print / Scan / Payment

Here's the detail...

System	Support Panel PC Solutions	
	K736 11.6" 16:9 K737 15.6" 16:9 K738 18.5" 16:9 K739 21.5" 16:9	
Printer Support*	Epson TM-M30II (Standard)	STAR MC-Print3
Scanner Support*	Datalogic GFS44/4570 * Fitment plates / bracket required	
Security	Key based camlock for main printer chassis door	
Camera	Optional - Mounted to K73x Panel PC ONLY	
LED Status	System Mounted to K73x series Panel PC ONLY	
Audio	Built-in speaker solution on chosen AiO system	
Module Weight*:	Top Screen Mount: 3.56KG Printer / Scanner Mount: 5.91KG Floor Standing Totem + Foot: 21.55KG Reduced Height Floor Standing Totem + Foot: 17.15KG	
Module Dimensions*:	Top Screen Mount: 229x184x166mm Printer / Scanner Mount: 310x166x184mm Floor Standing Totem: 759.5 x 166 x 184 / Foot: 450 x 400mm Reduced Height Floor Standing Totem: 458 x 166 x 184 / Foot: 450 x 400mm * All Weights and Dimensions are WITHOUT fitted Panel PC / POS solutions	
Payment Solution Mounting	Industry standard solution, supports all standard available PED plates	