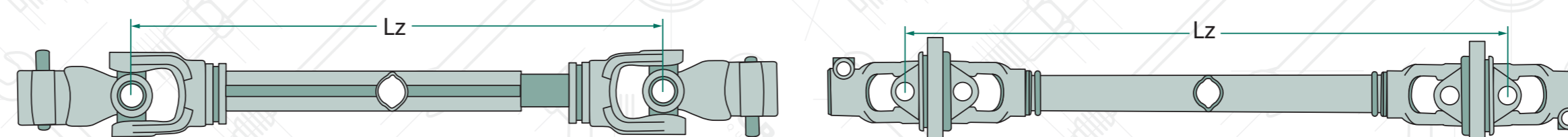




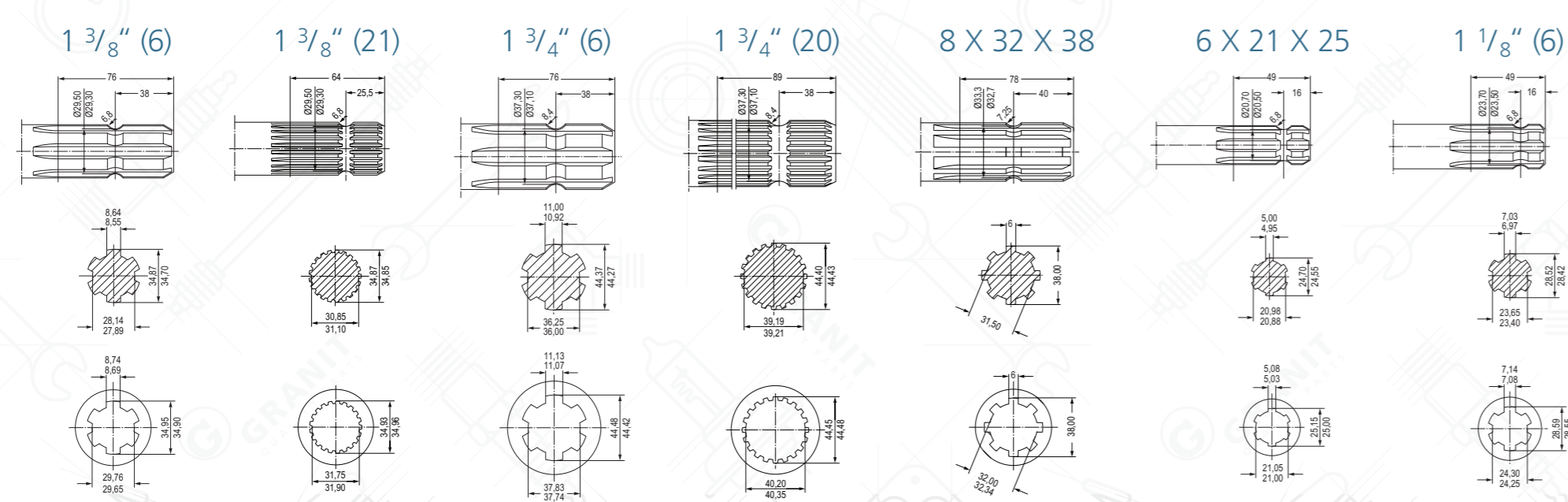
GRANIT
QUALITY PARTS



PTO shaft

Series:	Yoke	Double yoke	Inboard yoke	Profile pipe	Guard tube	Bearing ring sets	Cardan shaft
F20							
397620019				397720235 397720303	3973061086 LZ=860mm 3973061121 LZ=1210mm	397326105 (Ø 40mm)	
F21							
397621010		397420010118 1 1/8" Z6 397420010138 1 3/8" Z6		397420010223 397420010230	397720235 397720303	3973061086 LZ=860mm 3973061121 LZ=1210mm	39722010086 LZ= 860 mm 2x1 3/8" Z6 39722010121 LZ= 1210 mm 2x1 3/8" Z6
397621010		397420010118 1 1/8" Z6 397420010138 1 3/8" Z6		397420010344 397420010413	397720344 397720413	39730625086 LZ=860mm 39730625121 LZ=1210mm	397326251 (Ø 50mm)
F22							
397601220		397400220138 1 3/8" Z6 3971018221 1 3/8" Z21		397420020235 397420020303	397720235 397720303	3973061086 LZ=860mm 3973061121 LZ=1210mm	
397601220		397400220138 1 3/8" Z6 3971018221 1 3/8" Z21		397420020234 397420020241	397720344 397720413	39730625086 LZ=860mm 39730625121 LZ=1210mm	39722020051 LZ= 510 mm 2x1 3/8" Z6 39722020086 LZ= 860 mm 2x1 3/8" Z6
F23							
397601421		397400421138 1 3/8" Z6 397400421121 1 3/8" Z21		397420021234 397420021241	397720344 397720413	39730625086 LZ=860mm 39730625121 LZ=1210mm	39722021086 LZ= 860 mm 2x1 3/8" Z6 39722021121 LZ= 1210 mm 2x1 3/8" Z6
397601421		397400421138 1 3/8" Z6 397400421121 1 3/8" Z21		397420021239 397420021248	397720395 397720484	39730635086 LZ=860mm 39730635121 LZ=1210mm	39722921086 LZ= 860 mm 2x1 3/8" Z6 39722921121 LZ= 1210 mm 2x1 3/8" Z6
F24							
397621035		397420035138 1 3/8" Z6 397420035121 1 3/8" Z21		397420035239 397420035248	397720395 397720484	39730635086 LZ=860mm 39730635121 LZ=1210mm	39722035086 LZ= 860 mm 2x1 3/8" Z6 39722035121 LZ= 1210 mm 2x1 3/8" Z6
397621035		397420035138 1 3/8" Z6 397420035121 1 3/8" Z21		397420035251 397420035261	397720510 397720614	39730635121 LZ=1210mm	39722935121 LZ= 1210 mm 2x1 3/8" Z6
F25							
397621036		397420036138 1 3/8" Z6 397420036121 1 3/8" Z21		397420036251 397420036261	397720510 397720614	39730635086 LZ=860mm 39730635121 LZ=1210mm	39722036086 LZ= 860 mm 2x1 3/8" Z6 39722036121 LZ= 1210 mm 2x1 3/8" Z6
F26							
397620026		397420026138 1 3/8" Z6 397420026121 1 3/8" Z21		397420026251 397720614	397720510 397720614	39730635086 LZ=860mm 39730635121 LZ=1210mm	3973263525 (Ø 62mm)
397620026		397420026138 1 3/8" Z6 397420026121 1 3/8" Z21		397420026261 397420026271	397720614 397720715	39730645086 LZ=860mm 39730645121 LZ=1210mm	3973264535 (Ø 82mm) 39722026086 LZ= 860 mm 2x1 3/8" Z6 39722026121 LZ= 1210 mm 2x1 3/8" Z6

Series:	Yoke	Double yoke	Inboard yoke	Profile pipe	Guard tube	Bearing ring sets	Cardan shaft
F1							
397601311		397400311138 1 3/8" Z6 397400311938 1 3/8" Z6		397420011234 397420011241	397720344 397720413	39730625086 LZ=860mm 39730625121 LZ=1210mm	397326251 (Ø 50mm)
F11							
397620012		397420012138 1 3/8" Z6		397420012239 397420012248	397720395 397720484	39730635086 LZ=860mm 39730635121 LZ=1210mm	3973263525 (Ø 62mm)
397620012		397420012138 1 3/8" Z6		3973007851 3973007861	397720510 397720614	39730635086 LZ=860mm 39730635121 LZ=1210mm	3973263525 (Ø 62mm)
F220							
397601622		397400622138 1 3/8" Z6 397400622938 1 3/8" Z6		397420022239 397420022248	397720395 397720484	39730635086 LZ=860mm 39730635121 LZ=1210mm	3973263525 (Ø 62mm)
397601622		397400622138 1 3/8" Z6 397400622938 1 3/8" Z6		397420022239 397420022248	397720395 397720484	39730635086 LZ=860mm 39730635121 LZ=1210mm	3973263525 (Ø 62mm)
F230							
397601723				397420022239 397420022248	397720395 397720484	39730635086 LZ=860mm 39730635121 LZ=1210mm	3973263525 (Ø 62mm)
F240							
397601824		397400824138 1 3/8" Z6 397400824134 1 3/4" Z6		397420024251 397420024261	397720510 397720614	39730635086 LZ=860mm 39730635121 LZ=1210mm	3973263525 (Ø 62mm)
F228, 80° WW							
3976282006		3971078206 1 3/8" Z6		3973058200	3973017234	397720344	
F238, 80° WW							
3976282106		397428421138 1 3/8" Z6 397428421121 1 3/8" Z21		397428021000	397428021234 397428021241	397720344 397720413	1x 3979463420121 LZ=1210mm 3979613515 (Ø 50 mm) 3970420328 (Ø 113)
3976282106		397428421138 1 3/8" Z6 397428421121 1 3/8" Z21		397428021000	397428021239 397428021248	397720395 397720484	1x 3979463420121 LZ=1210mm 3979613525 (Ø 62 mm) 3970420328 (Ø 113)
F248, 80° WW							
3976283506		397428035138 1 3/8" Z6 397107621 1 3/8" Z21		397428035000	397428035239 397428035248	397720395 397720484	1x 3979463520121 LZ=1210mm 3979613525 (Ø 62 mm) 3970420318 (Ø 120)
3976283506		397428035138 1 3/8" Z6 397107621 1 3/8" Z21		397428035000	397428035251 397428035261	397720510 397720614	1x 3979463520121 LZ=1210mm 3979613525 (Ø 62 mm) 3970420318 (Ø 120)
F258, 80° WW							
3976283606		397428036138 1 3/8" Z6 397428036121 1 3/8" Z21		397428036000	397428036251 397428036261	397720510 397720614	1x 397388635121 LZ=1210mm 39736880036 (Ø 62 mm) Ø 126 mm 39728203612120 LZ= 1210 mm 2x1 3/8" Z6



Dimensions in mm

The PTO shaft must not be used without a, or with a damaged, guard or its safety retaining device. Worn or damaged parts must be replaced with originals. Do not expose protected parts of the shaft by cutting into or enlarging the lubrication holes. Do not step over or on top of the PTO shaft. PTO shafts and safety couplings must be matched to the machine type and power. Refer to your machine's instruction manual for the recommended type and size of shaft and couplings.