



COMMUNAL SERVICES

INNOVATION WITH TRADITION FOR LIFE.

RELIABILITY THROUGHOUT THE WINTER



Hauer has been manufacturing snow ploughs in Austria for more than 40 years. Based on our long-standing experience and customer proximity, our products stand out for superior quality and excellent practicality. Our products underlie a constant developing process which is aimed at making our equipment as durable and long-lasting as possible to withstand the harshest conditions. High-quality materials such as fine-grained steels, hard-wearing and tempered high-performance steels combine with innovative designs to give our winter service equipment the durability and longevity our customers deserve.

Offering an extensive range of 3,500 attachment parts, we can serve nearly all tractor makes and models and many skid-steers, providing the perfect solution for three-point linkages, coupling plates, municipal A-frames or custom coupling systems. Support beams to match allow users to attach snow ploughs their machines while our user-friendly ground pressure control system provides for optimum traction and helps protect the equipment.



FREE TRAVEL
ON ALL ROADS



SIMPLE AND RUGGED SNOW REMOVAL ON SIDEWALKS AND PATHS



Designed for compact tractors and communal machines, the DRS-M snow blades are perfect for clearing sidewalks, walk- and driveways and courts.



Attachment options:

- Carriage with communal A-frame (max. 500kg)
- Height-control carriage for compact skid-steers
- Height-control carriage for compact skid-steers for self assembly
- Turn-tilt plate for self assembly
- 3-point Cat 1 and Cat 1N
- Stacker tines carriage

Standard specification:

- Single-piece, 680mm high blade
- DRS blade locking system
- Hydraulic side adjustment, pressure relief valve protected
- Height-adjustable heavy-duty wheels
- Lockable pendulum compensation
- Screwed cutting edge (120x15mm) made from hard-wearing tempered steel (450 HB), recessed bolts
- Short hoses with couplings

Options:

- GU 120 / 30 rubber fabric edge
- 2 extra lines to the rear couplers
- Hydraulic 14° left / 14° right angling
- Warning flags incl. brackets

TWO WHEELS FOR PERFECT PROTECTION



Return springs maintain the snow blade in its working position and yet allow the blade to float over small obstacles by moving up and only a few centimetres to the rear.

Bigger obstacles are managed by moving all the way up and to the rear. After the obstacle has been passed, the blade returns into working position. There is no need to stop the machine.



Specifications		DRS-M	DRS-M	DRS-M	DRS-M	DRS-M	DRS-M	DRS-M	DRS-M
Width (mm)		1200	1300	1400	1500	1600	1700	1800	2000
Weight	(kg)	165	169	173	177	181	185	189	194
Working width at maximum tilt	(mm)	1055	1145	1230	1315	1405	1490	1575	1750
Min. pass-through width at max. tilt	(mm)	1145	1235	1320	1405	1495	1580	1665	1840
Min. pass-through width with vertical blade (max width)	(mm)	1220	1320	1420	1520	1620	1720	1820	2020
Max. vehicle width at max. inclination	(mm)	840	950	1010	1100	1185	1270	1360	1530
Blade height	(mm)	680							
Pivot angle	(°)	+/- 30							



ONE BLADE, TWO APPLICATIONS CLEARING AND GRADING



Attachment options:

- 3-point, cat. 1 and cat. 2
- A-frame

Standard specification:

- Hydraulic side adjustment by two rams, pressure relief valve protected
- Adjustable overload trip mechanism
- Four return springs
- Height-adjustable skid shoes
- High-performance edge made from hard-wearing special steel; recessed screws
- Sturdy bumper guard fixed to the cutting edge
- Warning flags
- Short hoses with couplings

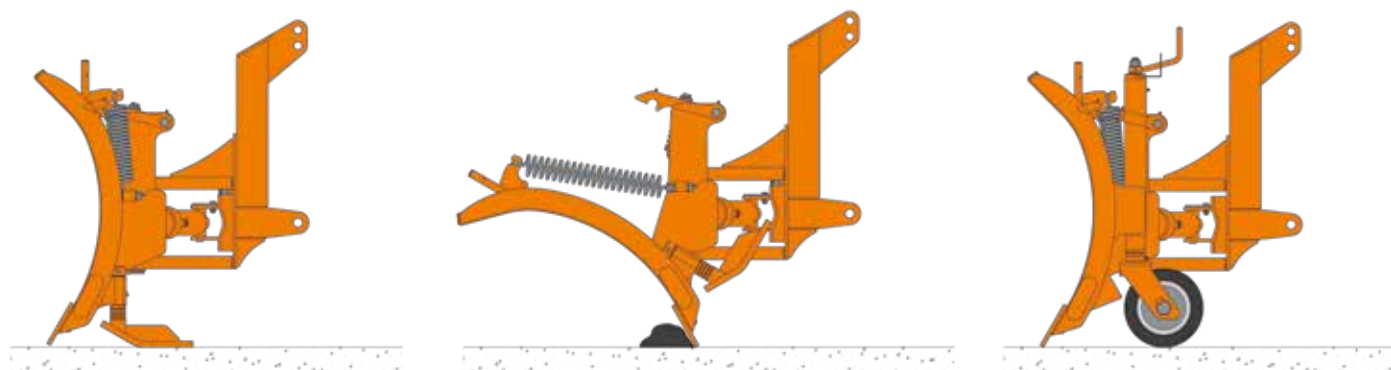
Options:

- Steplessly height-adjustable super elastic wheels (on 2,400mm+ blades)
- GU 200 /40 rubber fabric edge
- Snow deflector rubber
- 140mm blade heightening
- Lockable pendulum compensation
- LED side lights
- 2 extra lines to the rear couplers

Rugged in build, our HS snow clearing and grading blades are perfect not only for clearing driveways, walkways and parking lots from moderate levels of snow but also for grading sand, soil and gravel. The optional rubber edge reduces wear and noise.



ADJUSTABLE TRIP MECHANISM



When the cutting edge hits an obstacle such as a gully, the overload mechanism trips and the blade moves up. At the same time its base moves to the rear, floating over the obstacle. Return springs return the blade into working position after the tractor has been halted or the blade raised. The tripping force is set steplessly to suit individual snow and ground conditions and the application at hand.



Specifications		HSh-2000	HSh-2200	HSh-2400	HSh-2600	HSh-2800	HSh-3000
Width (mm)							
Weight	(kg)	360	372	385	410	422	431
Working width at maximum tilt	(mm)	1730	1900	2080	2250	2430	2600
Min. pass-through width at max. tilt	(mm)	1840	2010	2190	2360	2540	2710
Min. pass-through width with vertical blade (max. width)	(mm)	2040	2240	2440	2640	2840	3040
Max. vehicle width at max. inclination	(mm)	1450	1630	1800	1980	2150	2330
Blade height - centre / wings	(mm)	750 / 850					
Pivot angle	(°)	+/- 29					



MADE BY PROFESSIONALS
FOR PROFESSIONALS.
FOR ALL SNOW
CONDITIONS.

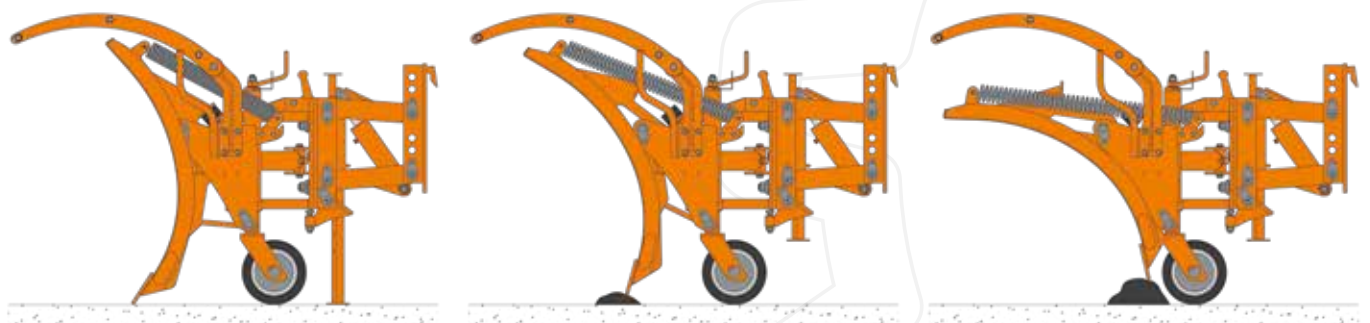


Built to a rugged design, the SRS / SRS-L series snow ploughs were developed to perform in the harshest winter conditions.

The two- and three-piece SRS ploughs stand out for their extremely robust carriage frame, massive pins and bearing surfaces and a heavy-duty tilt and lifting linkage.

These features make them the ideal tools for professional users and extreme snow conditions. This heavy-duty model line is complemented by our light-duty SRS-L ploughs for less extreme situations.

All models in both ranges feature the pivoting wheel system for perfect tripping.



Attachment options:

- HAUER, EURO 3/5 or VSS-A or VSS-B coupling plate
- Three-point cat. 2
- Height-control carriage for compact skid-steers

FOR EACH APPLICATION THE SPECIFICATION TO MATCH

SRS-2 L / 3 L



For moderate snow conditions

SRS-2 / 3



For all snow conditions

Technical Data SRS-2 L / 3 L		SRS-2 L 2400	SRS-2 L 2600	SRS-2 L 2800	SRS-2 L 3000	SRS-3 L 2800	SRS-3 L 3000	SRS-3 L 3200
Working width at maximum tilt with side deflectors	(mm)	2130	2300	2470	2650	2470	2650	2820
Min. pass-through width at max. tilt	(mm)	2270	2440	2610	2790	2610	2790	2960
Min. pass-through width with vertical blade (max. width)	(mm)	2580	2780	2980	3180	2980	3180	3380
Max. vehicle width at max. inclination, with side deflectors	(mm)	1760	1930	2100	2280	2100	2280	2450
Blade height (centre/wings)	(mm)	850/1000	850/1000	850/1000	850/1000	850/1000	850/1000	850/1000
Pivot angle	(°)	+/- 30						
Weight in standard specification including coupling plate (3-pt attachment)	(kg)	620 (548)	631 (559)	643 (571)	655 (583)	720 (650)	733 (663)	746 (676)

Technical Data SRS-2 / 3		SRS-2 2800	SRS-2 3000	SRS-2 3200	SRS-3 3000	SRS-3 3200	SRS-3 3400	SRS-3 3600
Working width at maximum tilt with side deflectors	(mm)	2405	2575	2740	2560	2730	2900	3070
Min. pass-through width at max. tilt	(mm)	2580	2750	2920	2740	2910	3080	3250
Min. pass-through width at no tilt (max width) (mm)	(mm)	3000	3200	3400	3180	3380	3580	3780
Max. vehicle width at maximum inclination, with side deflectors (mm)	(mm)	1940	2110	2280	2070	2240	2410	2580
Blade height (centre/wings) (mm)	(mm)	1050/1220	1050/1220	1050/1220	1200/1400	1200/1400	1200/1400	1200/1400
Pivot angle	(°)	+/- 32,5						
Weight in standard specification including coupling plate (3-pt attachment) (kg)	(kg)	920 (820)	940 (840)	960 (860)	1100 (1000)	1130 (1030)	1150 (1050)	170 (1070)

Standard specification:

- Two-/three-piece plough with flared blades
- Hydraulic side adjustment, pressure relief valve protected
- Lift and press feature (requires coupling plate)
- SRS – snow plough protection for professional applications
- Height-adjustable skid shoes with impact dampers
- Lockable pendulum compensation
- Screwed scraping edge made from hard-wearing tempered steel (450 HB)
- Hydraulic angling ready (SRS-2 L / 3 L only)
- Automatic levelling function
- Massive side deflectors (replaceable)
- Warning flags
- LED side lights
- Short oil hoses with couplings
- Adjustable drop rate control

Standard on SRS-2/3:

Spring-loaded skid shoes with stepless height control and impact dampers or Super Elastic wheels

Options

- Steplessly height-adjustable elastic wheels
- Steplessly height-adjustable skid shoes
- Snow deflector rubber
- Snow dust curtain
- Rubber fabric edge (SRS-L GU 200/40, SRS-2/3 GU 200/50)
- Küper S36 scraping edge
- Hydraulic 14°/14° left/right angling



COMPACT AND UNIVERSAL ON JUNCTIONS AND SQUARES

The variable VS-L snow plough is the universal plough for professional winter service applications.

The VS-L is the specialist for snow removal in streets lined with gates and on public squares. The two blades move independently and can push snow in a Y position without throwing the material to the sides. The Professional control system allows operators to move the implement into ploughing position quickly and easily. The pressure springs that trip only the cutting edge adjust to one of two suspension pressures.

Attachment options:

- HAUER, EURO 3/5 or VSS-A or VSS-B coupling plate
- Three-point cat. 2
- Height-control carriage for compact skid-steers

Standard specification:

- Two-piece snow plough with flared blades
- Hydraulic blade control from a regular hydr. system (2 da spools);
- Hydr. protection by pressure control valves and accumulator
- Lift and press feature with adjustable top link (not for 3-point attachment)
- Pressure spring protection, 2 pressure levels
- Height-adjustable skid shoes
- Lockable pendulum compensation
- Screwed and hard-wearing scraping edges made from tempered high-performance steel (450 HB)
- Hydraulic angling ready
- Automatic levelling function (coupling plate only)
- Massive side deflectors (replaceable)
- Warning flags
- LED side lights
- Short oil hoses with couplings

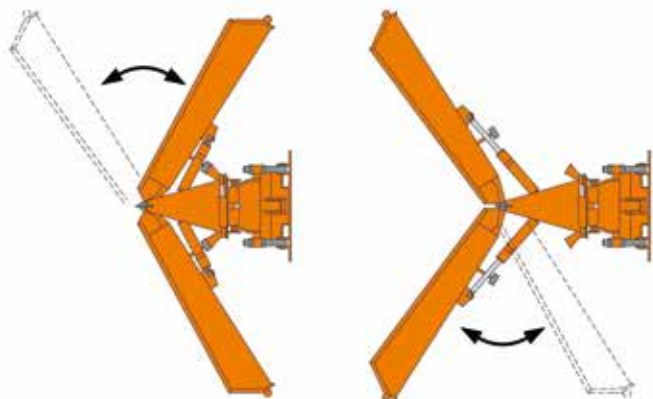


Options:

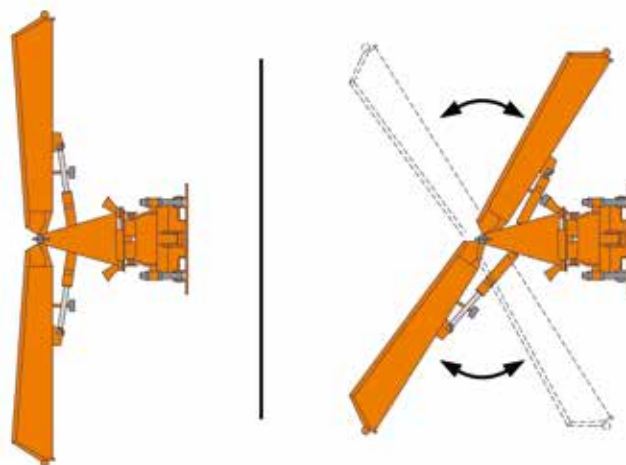
- Steplessly height-adjustable super elastic wheels
- Steplessly height-adjustable skid shoes
- Snow deflector rubber
- Hydraulic blade control system incl. Professional control box for individual blade control in opposite direction – ploughing function (requires only 1 da spool)
- GU 200 /40 rubber fabric edge
- Küper FK-S scraping edge
- Hydraulic 14°/14° left/right angling
- Snow dust curtain
- Indirect lighting



STANDARD



PROFI



Specifications		VS-L 2400	VS-L 2600	VS-L 2800	VS-L 3000	VS-L 3200
Width (mm)						
Working width at maximum tilt with side deflectors	(mm)	2020	2190	2360	2530	2700
Min. pass-through width at max. tilt	(mm)	2120	2290	2460	2630	2800
Min. pass-through width with vertical blade (max width)	(mm)	2550	2750	2950	3150	3350
Blade height (centre, wings)	(mm)	890/1000				
Pivot angle	(°)	+/- 32,5				
Weight in standard specification including coupling plate (3 point)	(kg)	592 (520)	607 (535)	622 (550)	637 (565)	652 (580)



TICKS ALL BOXES

UNLIMITED VERSATILITY

Attachment options	DRS-M	HS	VS-L	SRS-2 L	SRS-2	SRS-3 L	SRS-3
3-point linkage	•	•	•	•	•	•	•
Coupling plate Genuine Hauer or Euro 3/5, VSS-A, VSS-B			•	•	•	•	•
Height-control carriage for skid-steer loaders (requires feasibility testing)	•	•	•	•	•	•	•
A-frame	•	•					
Stacker tine carriage	•						

Widths	DRS-M	HS	VS-L	SRS-2 L	SRS-2	SRS-3 L	SRS-3
1.200 mm	•						
1.300 mm	•						
1.400 mm	•						
1.500 mm	•						
1.600 mm	•						
1.700 mm	•						
1.800 mm	•						
2.000 mm	•	•					
2.200 mm		•					
2.400 mm		•	•	•			
2.600 mm		•	•	•			
2.800 mm		•	•	•	•	•	
3.000 mm		•	•	•	•	•	•
3.200 mm			•		•	•	•
3.400 mm							•
3.600 mm							

Application	DRS-M	HS	VS-L	SRS-2 L	SRS-2	SRS-3 L	SRS-3
Ideal for snow removal in streets	•	•	•	•			
Ideal for snow removal on country roads			•	•	•	•	•
Ideal for sidewalks	•						
Ideal for narrow lanes	•						
Ideal for driveways		•					
Ideal for parking lots		•	•				
Ideal for traffic junctions			•				
Ideal for streets with property drive-ins			•				
Ideal for low speeds	•	•	•				
Ideal for higher speeds				•	•	•	•
Ideal for moderate snow levels	•	•	•	•		•	
Ideal for higher snow levels					•		•

Blades	DRS-M	HS	VS-L	SRS-2 L	SRS-2	SRS-3 L	SRS-3
single-piece	●	●					
two-piece			●	●	●		
three-piece						●	●

Standard / optional specification	DRS-M	HS	VS-L	SRS-2 L	SRS-2	SRS-3 L	SRS-3
Hydraulic angle adjustment, pressure relief valve protection	●	●		●	●	●	●
Hydraulic blade control			●				
Hydraulic blade control – Professional specification (PROFI) Blades can move in synch.			○				
Lockable pendulum compensation	●	○	●	●	●	●	●
Height-adjustable skid shoes		●	●	●	●*	●	●*
Height-adjustable heavy-duty wheels	●						
Height-adjustable Super Elastic wheels		○	○	○	●*	○	●*
Side deflector, massive size and replaceable			●	●	●	●	●
Warning flags	○	●	●	●	●	●	●
LED side lights		○	●	●	●	●	●
Lift and press feature with adjustable top link (requires coupling plate)			●				
Automatic levelling system (coupling plate)			●	●	●	●	●
Hydraulic angling ready	●		●	●		●	
Hydraulic angling 14° left, 14° right	○		○	○	○	○	○
Stand		●			●		●
Screwed and hard-wearing scraping edge made from tempered special steel (450 HD); recessed screws	●	●	●	●	●	●	●
Rubber edge	○	○	○	○	○	○	○
Küper edge			○	○	○	○	○
Rubber fabric edge		○	○	○	○	○	○
Snow dust curtain			○	○	○	○	○
Blade extension 140 mm		○					

● standard

○ option

* choice

FULL STEAM AHEAD. FIRMLY COUPLED.



The universal coupling plates with attachment parts from Hauer provide for an efficient driveline from the tractor to the implement.



Coupling plates for OEM front linkages

Optional support beams are available for many tractor makes and models for attaching the plate to the lower links

- Permanently bolted or pin-fitted
- Interchangeable with FS-4 series front linkages saving time, purchase and labour costs
- Optional support beam is available for the coupling plate or series FS-4 linkages
- Unrestricted ground clearance after removing the coupling plate
- No impact on steering angle and pivoting range
- Optional PTO

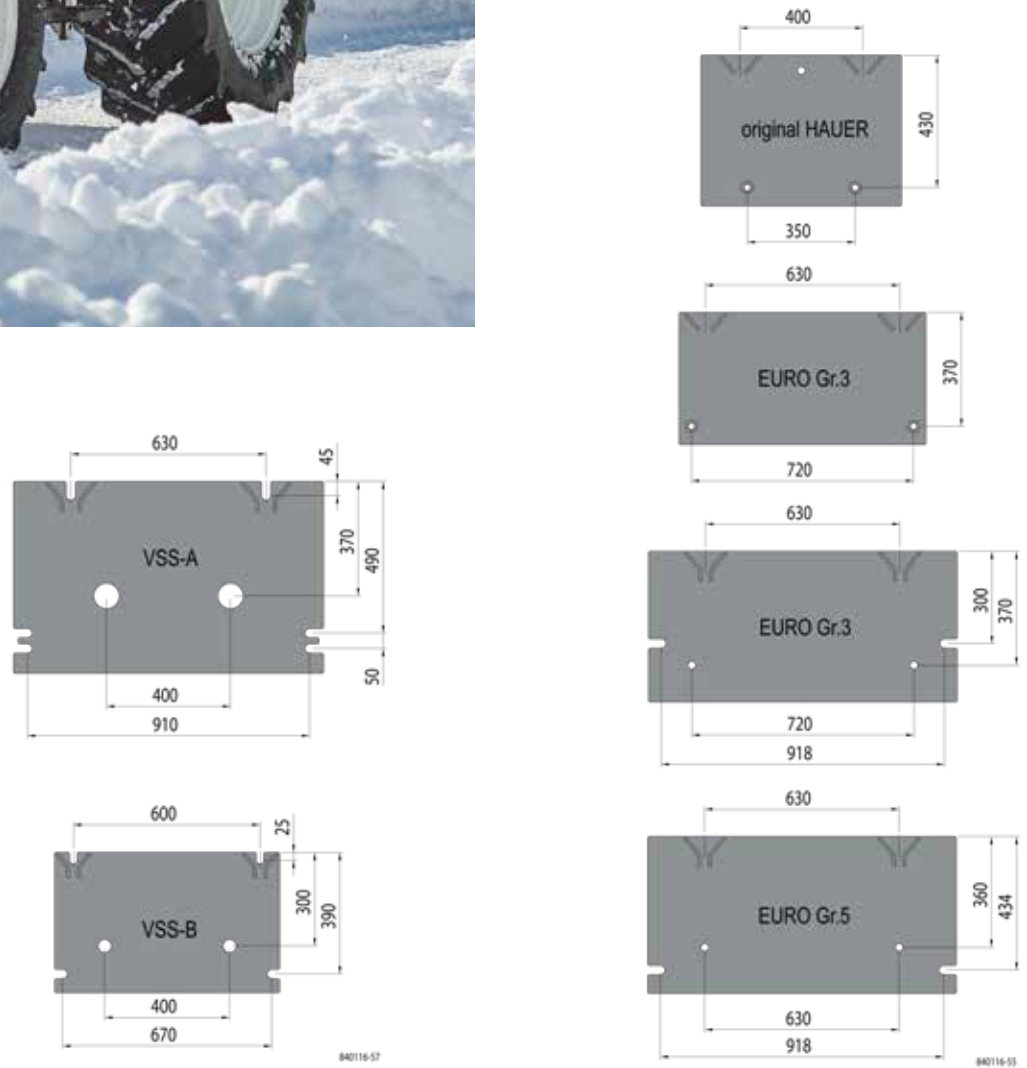
The attachment parts are available for nearly all tractors. Custom weld parts are available for special machines or other types of tractors (customer-fitted).





Coupling plate versions

More versions are available as options on request. Please provide the dimensions and a sketch.



Coupling plate norms

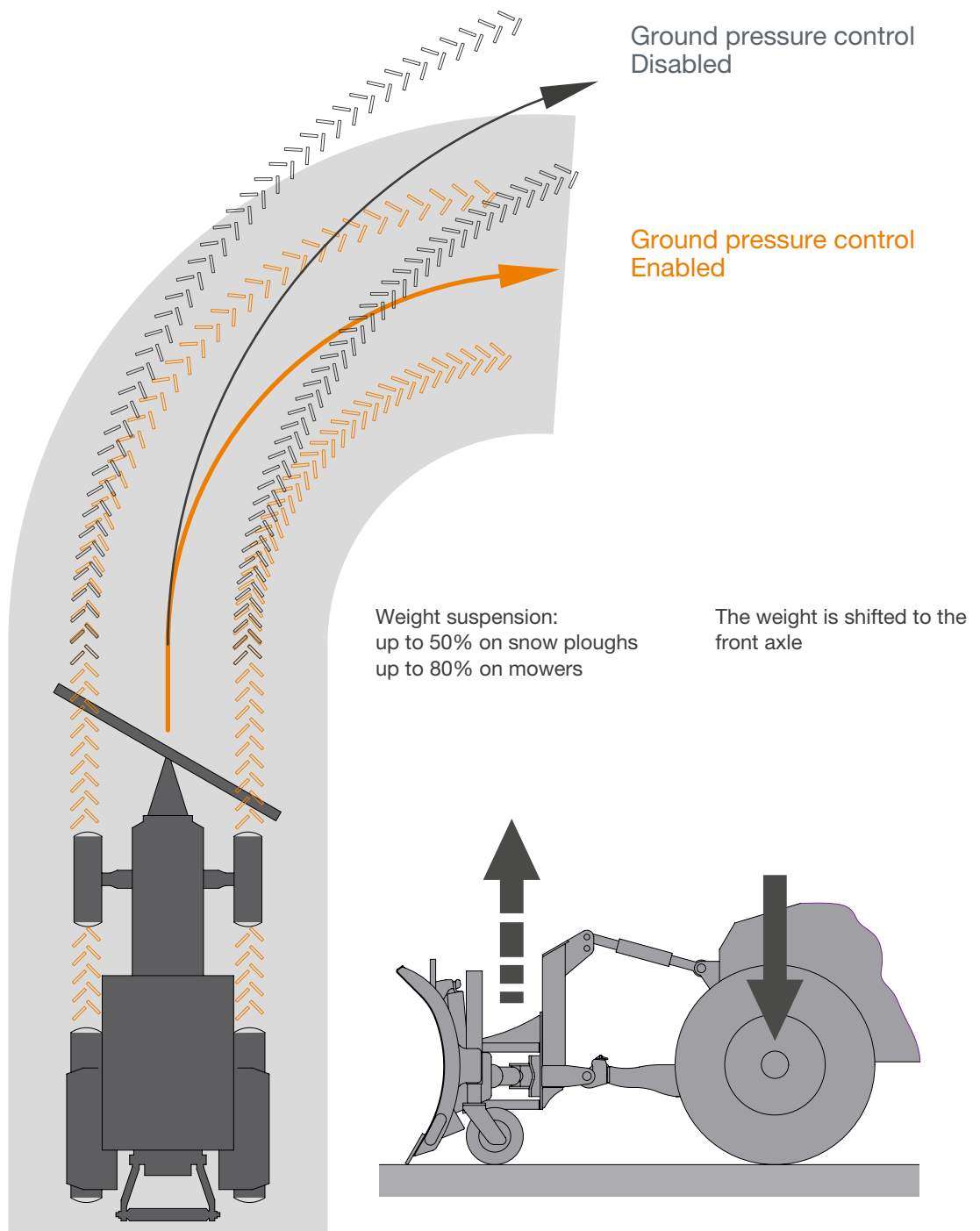
Euro size 3: DIN 76060 form A; Euro size 5: DIN 76060 form B; VSS-A: SN640764b; VSS-B: SN640764b

Strength requirements Euro size 3: EN15432-1:2011 F2; Euro Gr.5: EN15432-1:2011 F1



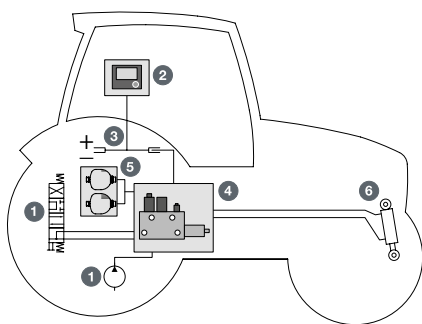
GROUND PRESSURE CONTROL PERFECT SUSPENSION OF ATTACHMENTS

The BDR 2.1 ground pressure control shifts the weight of the snow plough to the front axle improving traction. Extremely responsive and perfectly controlled, the system ensures excellent performance especially in difficult terrain.



BETTER TRACTION.

LESS WEAR.



- 1 The tractor hydraulic system
- 2 Touch screen display
- 3 Electric connections
- 4 Spool chest
- 5 Accumulator
- 6 Lift rams

Specifically developed for the harsh conditions in winter service, the BDR-2.1 Hauer ground pressure control quickly established itself on the market. The system makes clever use of the hydraulic system and scores on robust mechanics and precision electronics for reliable service day-in, day-out. Better traction and clearly better steering reduce wear on the material and damage to the ground and provide an excellent driver experience and maximum safety. Versatile tractors benefit from the system also outside the winter season when operating toppers or mowers, for example.

The weight percentage to be shifted to the tractor is conveniently set on the digital display screen. The unit stores up to five different implements. Furthermore, operators can vary the percentage flexibly on the move to suit varying conditions. The dial can be retrofitted to existing LS and OC systems. Extra sensors are not required.

By default, the hydraulic accumulators are set to provide perfect contouring to 400kg+ attachments. For more light-weight attachments of less than 400kg it may be necessary to change the pressure inside the accumulator reservoirs.

IN FROST AND ICE AT ANY TIME



With the new construction of the TS-3 the main emphasis was put on a process and function based design. The new spreader now offers new features and is ideal for spreading material on streets, roads and parking lots. Developed with a focus on close attachment to the three-point linkage for optimum weight distribution, the implement offers the best possible ride on snow and ice covered surfaces.

Standard specification:

- Separate auger and vane drives; 1 hydraulic motor for each (requires 1 da spool)
- Manual spreading pattern control by adjusting the deflector
- Manual spreading rate and width control via spools
- Stainless steel vanes and deflector
- Galvanised auger and hopper grid
- Strong, galvanised and paint-coated hopper base
- Rubber curtain directly placed on the vanes protects the vehicle
- High-quality, long-lasting and low-energy LED road lights
- Stand



Options:

- TS-W proportional control with touch display, irrespective of forward speed (requires a standardised signal socket or a speed sensor)
- Forward speed sensor for proportional TS-W control irrespective of ground speed (required in lack of signal socket)
- Electronic proportional TS-N control for straightforward spreading rate and width control
- Electric spreading pattern control
- Hydraulic self-loading system (requires 1 extra da spool)
- Tarp cover
- Remote oil supply by pto pump
- Stainless steel auger
- Work lights (require TS-N / TS-W)
- Outside temperature indicator with sensor (require TS-W)
- Filling level indicator with sensor (require TS-W)
- Spreading control with Sensor (require TS-W)
- Flashing light (require TS-W)
- Stirring unit for dissolving clumped spreading material
- V4A stainless steel stirring unit for dissolving clumped spreading material



Specifications		TS-307	TS-310	TS-315
Hopper volume	m ³	0,7	1,0	1,5
Unladen weight	kg	415	445	525
Total width	mm	2010	2010	2010
Spreading width	m	1-8	1-8	1-8
Salt spreading rate	g/m ²	0-50	0-50	0-50
Gravel spreading rate	g/m ²	0-200	0-200	0-200
Minimum rate in litres carrier vehicle	l/min	50	50	50





PREMIUM QUALITY MADE IN AUSTRIA. LONGEVITY IS THE PILLAR OF VIABILITY.

All Hauer products are manufactured in our factory in Lower Austria. Premium-quality materials, advanced manufacturing technology and the long-lasting experience of our staff combine with an active quality assurance programme to give our communal equipment the durability and longevity our customers deserve.

These are the ingredients of the traditional Hauer quality made in Austria that warrants highest productivity and best value for money.

Municipal equipment from Hauer is a pleasure to use – today and tomorrow.



COMMUNAL EQUIPMENT PREMIUM QUALITY THAT PAYS





Franz Hauer GmbH & CoKG

A-3125 Statzendorf, Werksstraße 6

Tel.: +43 / (0)2786 / 7104-0

info@hfl.co.at | www.hfl.co.at