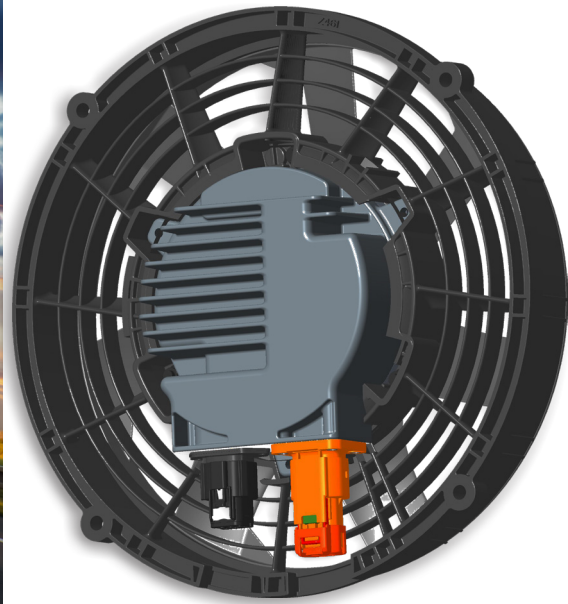




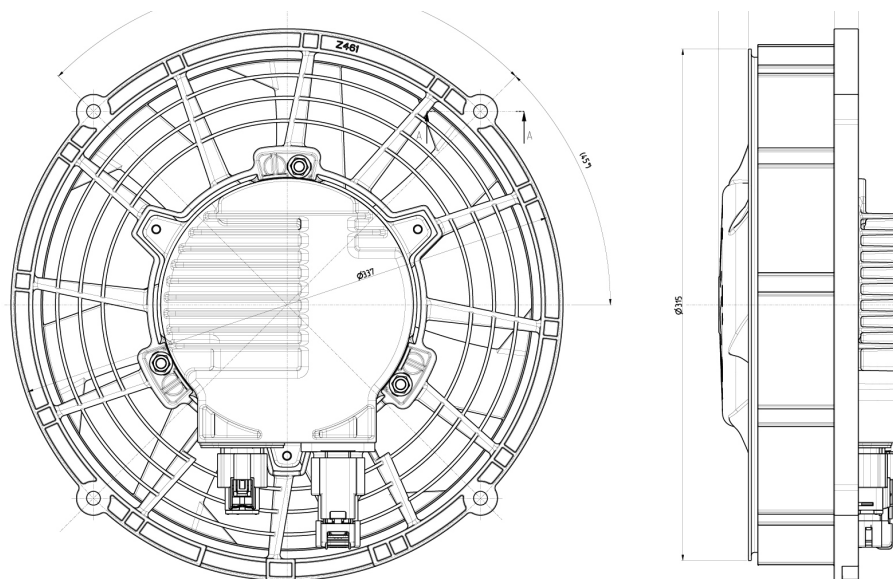
HIGH VOLTAGE FANS



Sealed  Brushless®

Images is purely indicative and might change without any prior notice.

TECHNICAL DATA

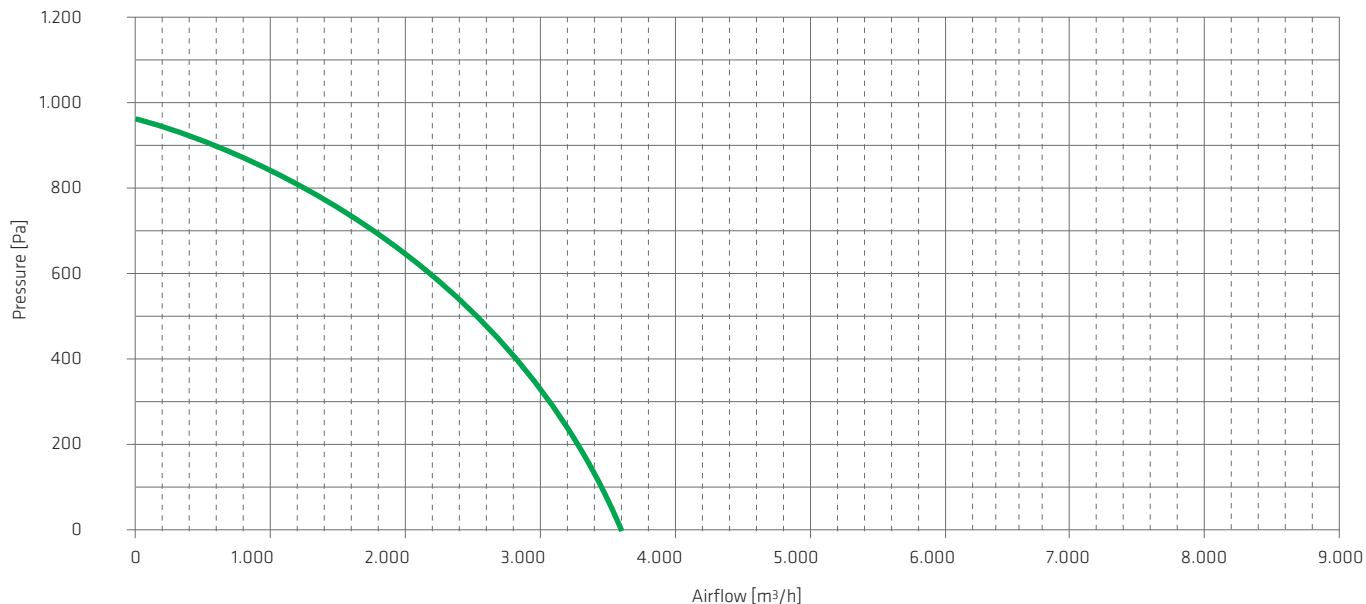


FEATURES

Max speed	rpm	4.750
Drive Weight	kg	2,9
Min-Max Operating Voltage	V	450-850
Signal Voltage	V	12/24
Operating ambient temperature range	°C	-40 .. +85
Lifetime*	h	up to 40.000 hours
Nominal Power	W	850
Overall Module Efficiency (Motor+fan+shroud)	%	45
Interface	-	- CAN (Optional LIN and PWM) - HVIL Optional;
Main Protection	-	Short Circuit, overvoltage, overload, over-temperature, under-voltage

* Depending on mission profile

PERFORMANCE AT MAXIMUM SPEED



Pressure: 1 Pa = 0,004 inH2O, Airflow: 1 m3/h = 0.59 cfm

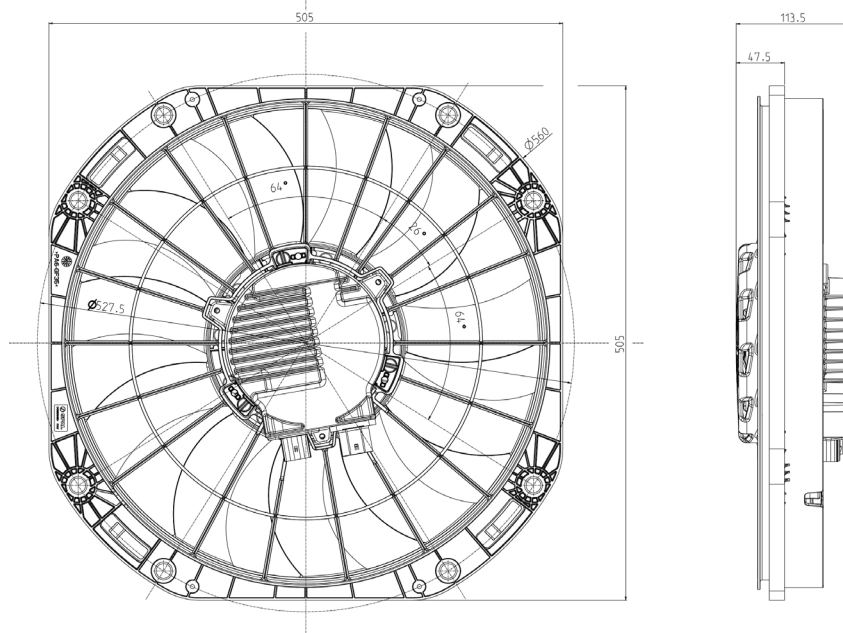


HIGH VOLTAGE FANS

PRODUCT FEATURES

- Built-in electronics
- Sealed Brushless Motor resistant to Corrosion & Water (IP6K9K Drive)
- CAN control, PWM and LIN version available
HVIL optional
- High Efficiency
- Diagnosis functions
- Metal housing drive
- Robust & Reliable
- Extended temperature range
- Intelligent Drive
- Variable speed control
- Drive self protection features

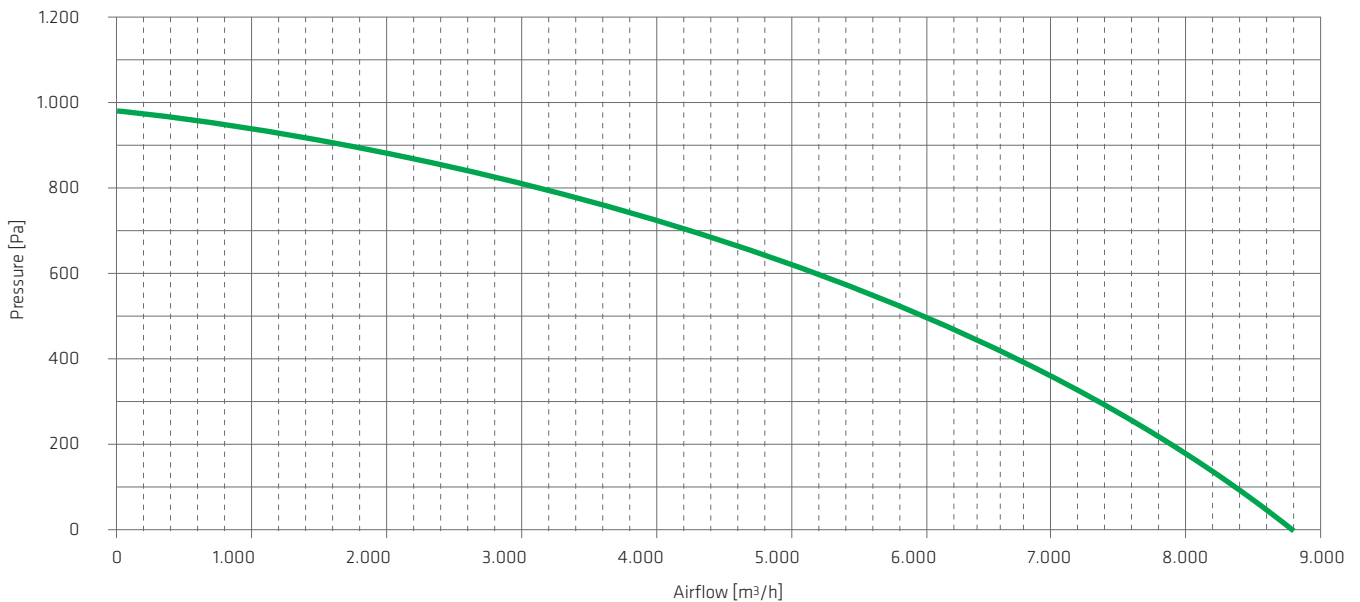
TECHNICAL DATA



FEATURES

Max speed	rpm	3.200
Drive Weight	kg	3,8
Min-Max Operating Voltage	V	450-850
Signal Voltage	V	12/24
Operating ambient temperature range	°C	-40 .. +85
Lifetime*	h	up to 40.000 hours
Nominal Power	W	2.000W
Overall Module Efficiency (Motor+fan+shroud)	%	45
Interface	-	- CAN (Optional LIN and PWM) - HVIL Optional;
Main Protection	-	Short Circuit, overvoltage, overload, over-temperature, under-voltage
* Depending on mission profile		

PERFORMANCE AT MAXIMUM SPEED



Pressure: 1 Pa = 0,004 inH2O, Airflow: 1 m3/h = 0.59 cfm

GLOBAL footprint

The **SPAL** team has an international presence with subsidiaries and offices worldwide.

The location of subsidiaries are carefully co-ordinated to optimize the distribution and marketing of **SPAL** products with customer service and distribution centers based close to key customers.

