

William Hackett



FPM



W Winton



# FARM TECH SUPPLIES

## TRACTOR ATTACHMENTS

2025  
Brochure

# Tractor Attachments



## Fully CE Certified

All products comply with EU safety standards and have supporting CE certification



## Parts Warranty

All machinery is provided with 1 or 2 years parts warranty so customers can buy with complete confidence



## Quality Customer Support

Advice from our team of experienced engineers with year-round mechanical support and testing in our workshop



## Spare Parts

We keep spare parts on the shelf to complement our extensive range of agricultural products



## Large Stocks

We stock a variety of attachments in our warehouse. We are continually introducing products to our existing ranges



## Delivered Across the UK

As well as local collection from our distributor network, we also offer competitively priced UK pallet delivery

## Exclusive Brands



Winton offers a range of grass and groundcare machinery. Robust tractor attachments for reliable and regular use. Distributed by Farm Tech Supplies for more than 10 years.



William Hackett's popular chain harrows are made in the UK. Its West Midlands factory has been manufacturing for 125+ years. Farm Tech Supplies was named their exclusive paddock harrow stockist in 2022.



FPM Agromehanika are leading manufacturers of agricultural machinery in Europe, trading for over 60 years, based in Serbia. Farm Tech Supplies became the exclusive UK distributor in 2023.



	Page	Model	Machine	Brand	
Mowers & Hedge Cutters	4	W-TM	Topper Mowers	Winton	  <b>NEW</b> P-ULM pg.16
	6	W-FM	Finishing Mowers	Winton	
	8	W-FA	Compact Flail Mowers	Winton	
	10	W-FB	Flail Mowers	Winton	
	12	W-FL	Heavy Duty Flail Mowers	Winton	
	14	P-LUM	Flail Mowers	FPM	
	16	P-ULM	Heavy Duty Flail Mower	FPM	
	18	W-HF	Hydraulic Side-Shift Flail Mowers	Winton	
	20	W-VF	Verge Flail Mowers (R-H Offset)	Winton	
	22	D-VOLPE	Verge Flail Mowers (L-H Offset)	Deleks	
	24	P-BM	Verge Flail Mowers (Either Offset)	FPM	
	26	D-FALCOH	Hedge Trimmers	Deleks	
	28	W-AM	Flail Hedge Cutters	Winton	
30	S-AFL	ATV Flail Mower	FTS		
Hay Making	32	P-DK	Compact Disc Mowers	FPM	  H-TM pg.4
	34	P-DKF	Disc Mowers	FPM	
	36	P-RAS	Hay Tedders	FPM	
	38	P-RS	Rotary Rakes	FPM	
	39	P-SS	Wheel Rakes	FPM	
Grasscare	40	H-HG	Fixed Drag Harrows	Hackett	 H-TM pg.4
	42	H-HC	Flexible 3-way Drag Harrows	Hackett	
	44	H-HF	Framed Harrows	Hackett	
	46	W-FS	Fertiliser Spreaders	Winton	
	48	W-AR	Aerator	Winton	
	50	W-FR	Field Rollers	Winton	
	Groundworks	52	S-FTL	Compact Rotovators	
54		P-LF	Rotovators	FPM	
56		W-RT	Heavy-Duty Rotovators	Winton	
58		P-SPF	Heavy-Duty Rotovators	FPM	
60		W-SB	Stone Buriers	Winton	
62		W-PH	Power Harrows	Winton	
64		P-RD	Heavy Duty Power Harrow	FPM	
66		W-RP	Compact Ripper & Pipe Layer	Winton	
67		D-DR	Ripper & Pipe Layer	Deleks	
68		D-DE	Cultivator	Deleks	
69		D-DP	Plough	Deleks	
70		W-LL	Land & Menage Leveller	Winton	
71		W-LR	Landscape Rakes	Winton	
72		W-RB	Box Graders	Winton	
73	W-GB H	Grader Blades	Winton		
74	W-HB	Post Hole Borers	Winton		
Moving	76	W-TL	Tipping Trailer - 1.5 tonne	Winton	  W-WC pg.18
	77	W-TD	Tipping Trailer - 3 tonne	Winton	
	78	W-TB	Tipping Link Boxes	Winton	
	79	W-WB	Weight Boxes	Winton	
	80	W-PF	Fixed Pallet Forks	Winton	
	81	D-D	Adjustable Pallet Forks	Deleks	
Seasonal	82	W-BS	Bale Spikes	Winton	
	84	W-WC	Wood Chipper	Winton	
	86	W-LS H	Hydraulic Log Splitter	Winton	
	87	W-LS P	PTO Log Splitter	Winton	
	88	W-SW	Snow Blade	Winton	
89	W-BT	Water Bowser Trailer	Winton		

# W-TM Topper Mower

*The Ultimate Weed Slasher*



Height-adjustable skids for optimal control

Low maintenance and simple to operate

Shear-bolt PTO shaft for enhanced safety

Adjustable cutting-height range of 6-20cm

Multiple A-frame positions

Direct drive blades

W-TM





## Applications

- ▶ Equestrian
- ▶ Pasture
- ▶ Brambles & weed control
- ▶ Overgrown areas
- ▶ Smallholdings

## Specifications

Model No	W-TM110	W-TM140	W-TM160	W-TM180K
Cutting width	110cm	140cm	160cm	180cm
HP range	16-25	23-40	25-50	30-60
Weight	175kg	205kg	220kg	385kg
<b>RRP (exc VAT)</b>	<b>£849</b>	<b>£933</b>	<b>£1,018</b>	<b>£1,377</b>
<b>RRP (inc VAT)</b>	<b>£1,018.80</b>	<b>£1,119.60</b>	<b>£1,221.60</b>	<b>£1,652.40</b>



Ideal for cutting a variety of grasses, scrub and saplings in pasture and paddock areas. Perfect for use on smallholdings with horses. Fully adjustable skids for regulating cutting height.

Suitable for most compact and small tractors. All of our topper mowers are supplied complete with a shear bolt protected PTO shaft.

# W-FM Finishing Mower

*The Lawn Care Hero*



Height-adjustable wheels for a 3.5-8cm cut	Easy access grease points
Floating linkage for contours & gradients	Rear-style discharge to disperse clippings
Link extensions avoid fouling tractor wheels	Drive-belt tensioning

**W-FM**





**W-FM180K**

## Applications

- ▶ Lawns
- ▶ Sports pitches
- ▶ Parks
- ▶ Campsites
- ▶ Golf courses

## Specifications

Model No	W-FM120	W-FM150	W-FM180K
Cutting width	120cm	150cm	180cm
HP range	16-30	20-45	25-55
Weight	178kg	187kg	202kg
<b>RRP (exc VAT)</b>	<b>£1,109</b>	<b>£1,202</b>	<b>£1,323</b>
<b>RRP (inc VAT)</b>	<b>£1,330.80</b>	<b>£1,442.40</b>	<b>£1,587.60</b>
<b>Roller Kit Add On (exc VAT)</b> <i>(inc VAT)</i>	-	<b>+</b> <b>£625</b> <b>£750.00</b>	<b>£657</b> <b>£788.40</b>



This mower is best suited to level areas of regularly maintained grass. The three rotary blades create a precision finish, and height-adjustable wheels help to stabilise and leave an even cut.

The Winton finishing mower range offers a close cut. We recommend it for use on lawns, campsites and sports fields. Images may vary from design.

## W-FA Flail Mower

*The Narrow Y-Blade Cutter*



Budget-friendly flail mower option	Narrow design for vineyards & orchards
Spirally arranged blades for an efficient cut	Adjustable cutting-height range of 2.5-7cm
Y blades for lighter overall weight to suit sub-compact tractors	Adjustable positioning for skids & roller

W-FA







## Applications

- ▶ Orchards & vineyards
- ▶ Allotments
- ▶ Pasture & paddocks
- ▶ Smallholdings
- ▶ General weed control

## Specifications

Model No	W-FA085	W-FA105
Cutting width	85cm	105cm
HP range	12-20	15-25
Weight	136kg	158kg
<b>RRP (exc VAT)</b>	<b>£898</b>	<b>£944</b>
<b>RRP (inc VAT)</b>	<b>£1,077.60</b>	<b>£1,132.80</b>



These models are perfect for narrow or sub-compact tractors of 12hp and up. The compact flail has lighter Y-blades and a lightweight body for lower horse-power tractors. This flail mower is belt driven with the Y-type flails mounted spirally on the rotor for an efficient cut.

Suitable for cutting pasture and paddock area and general maintenance. Ideal for maintaining grasses of various lengths and thicknesses.

## W-FB Flail Mower

*The Essential Paddock Flail*



Multiple blades on rotor for mulching	Adjustable positioning for skids
Adjustable rear roller	Belt driven blade rotor
Hammer flail blades	Adjustable cutting-height range of 3-8cm

W-FB





## Applications

- ▶ Pasture & paddocks
- ▶ Orchards & vineyards
- ▶ Sports pitches
- ▶ Gardens & campsites
- ▶ General weed control

## Specifications

Model No	W-FB105	W-FB125	W-FB145
Cutting width	105cm	125cm	145cm
HP range	16-25	18-35	25-40
Weight	182kg	202kg	222kg
<b>RRP (exc VAT)</b>	<b>£1,173</b>	<b>£1,273</b>	<b>£1,382</b>
<b>RRP (inc VAT)</b>	<b>£1,407.60</b>	<b>£1,527.60</b>	<b>£1,658.40</b>



This range offers a robust build for larger sub-compact and compact tractors. These models are great for smallholders and perfect for cutting through overgrown paddocks, longer grass, brambles and weeds. Multiple hammer blades on the rotor creates fine cuttings.

The multiple flail blade layout will also leave a fine lawn finish if regular cutting is performed, leaving mulched grass cuttings.

## W-FL Heavy-Duty Flail Mower

*The All-Round Cutter*



Robust heavy-duty gearbox

Adjustable positioning for skids

Spirally arranged hammer blades

Belt-driven blade rotor

Heavy hammer blades

Adjustable cutting-height range of 3-8cm

W-FL





## Applications

- ▶ Overgrown fields
- ▶ Pasture & paddocks
- ▶ Orchards & vineyards
- ▶ Campsites & parks
- ▶ Bramble & weed control

## Specifications

Model No	W-FL125	W-FL145	W-FL175
Cutting width	125cm	145cm	175cm
HP range	20-40	25-50	30-55
Weight	238kg	252kg	338kg
<b>RRP (exc VAT)</b>	<b>£1,640</b>	<b>£1,749</b>	<b>£1,915</b>
<b>RRP (inc VAT)</b>	<b>£1,968.00</b>	<b>£2,098.80</b>	<b>£2,298.00</b>



These flail mowers are great all-rounders for a wide range of applications thanks to their robust design. This is by far our most popular flail mower range.

The heavy hammer blades are perfect for cutting tough brambles and longer grass. The spiral blade layout will also leave a lawn finish if regular cutting is undertaken. The W-FL range is fitted with heavier gearboxes and blades, creating a robust and versatile machine.

# P-LUM Flail Mower

*Category 1 & 2 Linkage*



Two year warranty	Adjustable positioning for skids
Spirally arranged hammer blades	Height adjustable roller
Hammer blades	Adjustable cutting-height range of 2-7cm

**P-LUM**





## Applications

- ▶ Overgrown fields
- ▶ Pasture & paddocks
- ▶ Orchards & vineyards
- ▶ Campsites & parks
- ▶ Bramble & weed control

## Specifications

Model No	P-LUM110	P-LUM130	P-LUM150
Cutting width	110cm	130cm	150cm
HP range	15+	20+	25+
Weight	188kg	246kg	262kg
<b>RRP (exc VAT)</b>	<b>£2,046</b>	<b>£2,280</b>	<b>£2,345</b>
<b>RRP (inc VAT)</b>	<b>£2,455.20</b>	<b>£2,736.00</b>	<b>£2,814.00</b>



These light weight flail mowers are ideal for cutting grass and shredding branches up to 40mm thick.

These machines benefit from their adjustable rear roller, which can adjust the height of the cut, as well as avoid scalping on uneven areas. The compact design is intended for smaller farms and amenities.

# P-ULM230 Heavy-Duty Flail Mower

*Category 1 & 2 Linkage*



Two year warranty	Agricultural specification
Spirally arranged heavy hammer blades	4 belt-driven blade rotor
Height adjustable roller	Adjustable cutting-height range of 4.5-13.5cm

## P-ULM230







## Applications

- ▶ Overgrown fields
- ▶ Pasture & paddocks
- ▶ Campsites & parks
- ▶ Bramble & weed control
- ▶ Seasonal clearing

## Specifications

<b>Model No</b>	<b>P-ULM230</b>
Cutting width	230cm
HP range	48+
Weight	780kg
<b>RRP (exc VAT)</b>	<b>£5,500</b>
<b>RRP (inc VAT)</b>	<b>£6,600.000</b>



The FPM P-ULM230 is fantastically heavy-duty and thanks to its impressive working width, this flail has great coverage to get the job done in record time. The reinforced linkage frame and body make this a very robust mower.

Specifically designed for the UK market, this flail mower has been built as a heavy-duty machine with simplicity in mind. Hard wearing, minimal parts to service, effective and at a very competitive price.

# W-HF Hydraulic Side-Shift Flail Mower

*The Effortless Offset Cutter*



Robust heavy-duty gearbox

Adjustable positioning for skids

Spirally arranged blades

Hydraulic offset A-frame as standard

Heavy hammer blades

Adjustable cutting-height range of 3-8cm

**W-HF**





## Applications

- ▶ Pasture & paddocks
- ▶ Orchards & vineyards
- ▶ Campsites
- ▶ Wooded areas
- ▶ Solar farms

## Specifications

Model No	W-HF125	W-HF145	W-HF175	W-HF200	W-HF220
Offset from centre	690 — 560 390 — 880	775 — 645 455 — 975	960 — 760 675 — 1045	960 — 1000 675 — 1285	1045 — 1115 775 — 1385
Cutting width	125cm	145cm	175cm	200cm	220cm
HP range	20-40	25-50	30-55	35-60	40-70
Weight	310kg	322kg	350kg	451kg	466kg
<b>RRP (exc VAT)</b>	<b>£1,938</b>	<b>£2,101</b>	<b>£2,272</b>	<b>£2,499</b>	<b>£2,703</b>
<b>RRP (inc VAT)</b>	<b>£2,325.60</b>	<b>£2,521.20</b>	<b>£2,726.40</b>	<b>£2,998.80</b>	<b>£3,243.60</b>



W-HF flail mowers share the same specifications as the W-FL range with the addition of a hydraulic side-shift function. This is achieved through the hydraulics of the tractor and enables the movement of the mower into awkward areas.

This attachment is ideal for those with tractor hydraulics who do not want the effort of manually adjusting the offset position of the mower. Requires one double-acting hydraulic pool to operate.

# W-VF Verge Flail Mower

*The Versatile Verger*



Right-hand offset	Flail head cuts outside the tractor wheelbase
Tilt 90° up & 40° down	Hydraulically adjustable head positioning
Hammer flail blades	Adjustable roller for cut height of 2-7cm

**W-VF**





## Applications

- ▶ Tricky verges
- ▶ Sides of low hedges
- ▶ Ditches & gulleys
- ▶ Orchards & vineyards
- ▶ Smallholdings & campsites

## Specifications

Model No	W-VF125	W-VF145
Cutting width	125cm	145cm
HP range	20-40	25-45
Weight	264kg	336kg
<b>RRP (exc VAT)</b>	<b>£2,407</b>	<b>£2,515</b>
<b>RRP (inc VAT)</b>	<b>£2,888.40</b>	<b>£3,018.00</b>



This mower is perfect for cutting verges, ditches and low hedges. Winton verge flail mowers have hydraulically operated offset cutting heads perfect for various areas and materials.

This model has full upwards vertical movement for low hedges and partial downwards tilt for ditch and verge cutting. Requires two double-acting hydraulic spools to operate.

## D-VOLPE Verge Flail Mower

*The Versatile Offset Option*

**DELEKS<sup>®</sup>**

Left-hand offset	65° downward and 90° upward tilt
Belt-driven blade rotor	Hydraulic shift and tilt cutting head
Rotor fitted with hammer blades	Adjustable cutting-height range of 2-5cm

D-VOLPE





## Applications

- ▶ Verges
- ▶ Gulleys & ditches
- ▶ Orchards & vineyards
- ▶ Sides of low hedges
- ▶ Campsites

## Specifications

Model No	D-VOLPE120	D-VOLPE140
Cutting width	120cm	140cm
HP range	25-45	30-45
Weight	180kg	200kg
<b>RRP (exc VAT)</b>	<b>£3,050</b>	<b>£3,224</b>
<b>RRP (inc VAT)</b>	<b>£3,660.00</b>	<b>£3,868.80</b>



This flail has a hydraulically operated shift arm and cutting head, requiring two double-acting spools. The hammer blades are ideal for cutting paddock grasses, verges and ditches. It can leave a fine lawn finish when used frequently.

This mower provides better access to hard to reach areas, such as those in orchards or vineyards. It can achieve multiple positions and angles, for increased versatility. Requires two double-acting hydraulic spools to operate.

## P-BM Verge Flail Mower

*Category 2 & 3 Linkage*



Two year warranty	Left-hand offset standard. Right on request
External mounted gearbox for extra offset	Cuts up 10cm thick scrub
Replaceable hardox steel liner in cutting chamber	Spring-loaded safety mechanism

**P-BM**





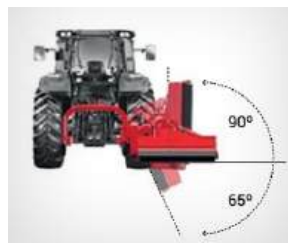


## Applications

- ▶ Tricky verges
- ▶ Sides of low hedges
- ▶ Ditches & gulleys
- ▶ Orchards & vineyards
- ▶ Contracting

## Specifications

Model No	P-BM160PRO	P-BM180PRO	P-BM200PRO
Cutting width	160cm	180cm	200cm
HP range	45+	50+	70+
Weight	680kg	720kg	770+
<b>RRP (exc VAT)</b>	<b>£7,555</b>	<b>£9,126</b>	<b>£9,288</b>
<b>RRP (inc VAT)</b>	<b>£9,066.00</b>	<b>£10,951.20</b>	<b>£11,145.60</b>



Perfect for cutting verges, ditches and low hedges, this mower has a highly adjustable shift and angle. The FPM verge flail mower has a hydraulically operated offset cutting head perfect for cutting not only grass and scrub, but also hedges along UK roads.

Full upwards vertical movement for low hedges and partial downwards tilt for ditch and verge cutting. Requires two double-acting hydraulic spools to operate.

# D-FALCO Hedge Trimmer

*The Hedge Tidying Cutter*

**DELEKS®**

Efficient 4 lever controls

Promotes denser hedge regrowth

Trimmer bar for a clean finish with less damage

PTO-driven hydraulic pump

Double hydraulic pump system

Designed for tractors with cabs or safety mesh

## D-FALCO H



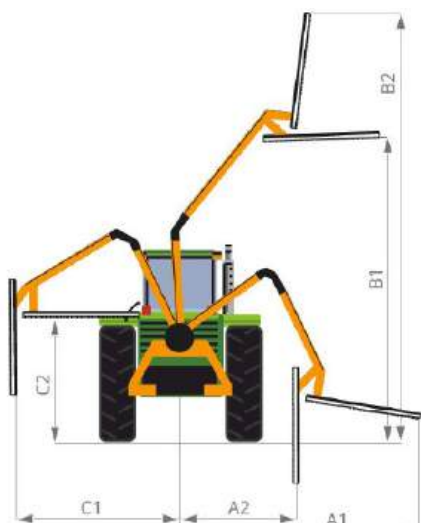


## Applications

- ▶ Hedge tops and sides
- ▶ Sloped verges
- ▶ Smallholdings & estates
- ▶ Campsites
- ▶ Amenities & parks

## Specifications

Model No	D-FALCO130H	D-FALCO160H
Cutting width	130cm	160cm
HP range	20-60	20-60
Weight	285kg	295kg
<b>RRP (exc VAT)</b>	<b>£4,928</b>	<b>£5,046</b>
<b>RRP (inc VAT)</b>	<b>£5,913.60</b>	<b>£6,055.20</b>



	D-FALCO130	D-FALCO160
<b>A1</b> - Horizontal low reach	450cm	480cm
<b>A2</b> - Vertical low reach	320cm	
<b>B1</b> - Horizontal high reach	370cm	
<b>B2</b> - Vertical high reach	520cm	550cm
<b>C1</b> - Diagonal rear reach	280cm	
<b>C2</b> - Horizontal rear reach	100cm	

This is a precision trimmer which does not need to connect to the tractor's hydraulics as it has a PTO powered hydraulic pump. Perfect for pruning hedges with a maximum diameter 2-3 cm. For Cat 1 or 2 tractors with a cab or safety mesh.

The D-FALCO H models can move in line with the operator for greater visibility.

# W-AM Flail Hedge Cutter

## *The Hedge Cut-Back Hero*



Simple operating levers

Adjustable positioning for roller

Reversible flail direction

PTO-driven requiring no tractor hydraulics

Rotor with Y flail blades

Designed for tractors with cabs or safety mesh

W-AM



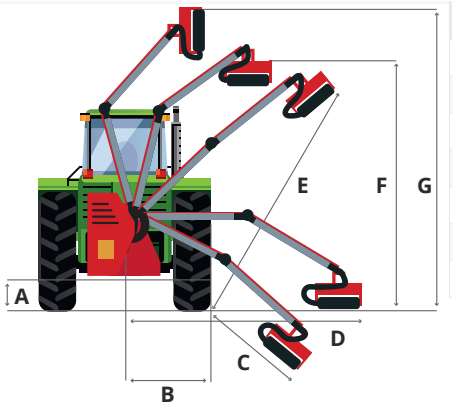


## Applications

- ▶ Hedge tops and sides
- ▶ Tricky verges
- ▶ Paddocks & pasture
- ▶ Ditches & gulleys
- ▶ Bridlepaths

## Specifications

Model No	W-AM080	W-AM100
Cutting width	80cm	100cm
HP range	25-45	35-50
Weight	275kg	300kg
<b>RRP (exc VAT)</b>	<b>£5,156</b>	<b>£5,266</b>
<b>RRP (inc VAT)</b>	<b>£6,187.20</b>	<b>£6,319.20</b>



	W-AM080	W-AM100
<b>A</b> - Lower linkage height	28cm	
<b>B</b> - Top link-outer wheel	70cm	
<b>C</b> - Downwards reach	200cm	220cm
<b>D</b> - Horizontal reach	275cm	290cm
<b>E</b> - Diagonal reach	310cm	340cm
<b>F</b> - Horizontal cut height	185cm	195cm
<b>G</b> - Vertical cut height	330cm	350cm

Measurements based on Solis 26 (2018 model) with industrial tyres.

The cutting head is fitted with Y-style flail blades. The hedge cutter has a PTO-driven hydraulic pump and is recommended for tractors with a cab or safety mesh and suitable weights.

Due to some minor modifications, machine may vary from image.

## S-AFL ATV Flail Mower

*For Quad Bikes, UTV or 4x4*



Independent 15hp Loncin engine	Beak shaped hammer flails
Tow ball hitch	Wheels can be set in & out of cutting width
Adjustable linkage height	Adjustable cutting height of 3-10cm

### S-AFL





## Applications

- ▶ Smallholdings
- ▶ Equestrian
- ▶ Pasture & paddocks
- ▶ Campsites
- ▶ Estates

## Specifications

<b>Model No</b>	<b>S-AFL120</b>
Cutting width	120cm
Engine HP	15
Weight	230kg
<b>RRP (exc VAT)</b>	<b>£2,035</b>
<b>RRP (inc VAT)</b>	<b>£2,442.00</b>



An ATV flail mower is a great solution for non-tractor owners. Ideal for regular grass maintenance with a 15hp Loncin petrol engine and pull/electric start. Fitted with a standard tow ball hitch this mower can be towed behind quad bikes, ATVs or 4X4s.

Recommended for use at walking speed on level areas of maintained grass, rather than really overgrown areas.

# P-DK Disc Mower

*Category 1N, or 1 & 2 Linkage*



Two year warranty	Low maintenance & simple to operate
Hydraulic or manual cutting bar control	Tilt 45° up & down
Safety automatic release cutting bar	Adjustable cutting height of 3-9cm

**P-DK**





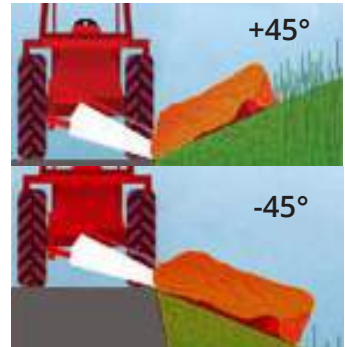


## Applications

- ▶ Equestrian & hay-making
- ▶ Verges
- ▶ Paddocks & pasture
- ▶ Sloping terrain
- ▶ Utility works

## Specifications

Model No	P-DK130/3 1N	P-DK200/5
Cutting width	130cm	200cm
HP range	24+	34+
Weight	280kg	500kg
Number of discs	3	5
<b>RRP (exc VAT)</b>	<b>£2,877</b>	<b>£6,169</b>
<b>RRP (inc VAT)</b>	<b>£3,452.40</b>	<b>£7,402.80</b>



This disc mower is the best machine to turn long grass into hay. The disc-mounted blades lay out the clippings ready for hay-making, even with flattened or damp grass.

The P-DK mowers offer a high work rate with low energy consumption. The 130cm size is specifically designed for tractors with a narrow linkage.

## P-DKF Disc Mowers



### *Category 1 & 2 Linkage*

Two year warranty	Tilt 45° up & down
Hydraulic cutting bar control	Gear transmission for intensive use
Safety automatic release cutting bar	Adjustable cutting height of 3-9cm

**P-DKF**



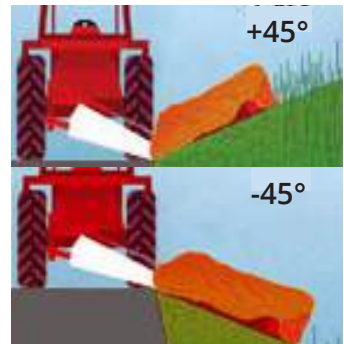


## Applications

- ▶ Equestrian & hay-making
- ▶ Haymaking
- ▶ Verges
- ▶ Paddocks & pasture
- ▶ Sloping terrain

## Specifications

Model No	P-DKF200/5	P-DKF240/6	P-DKF280/7	P-DKF320/8	P-DKK340/8
Cutting width	200cm	240cm	280cm	320cm	340cm
HP range	34+	42+	52+	56+	90+
Weight	492kg	548kg	590kg	650kg	1,360kg
Number of discs	5	6	7	8	8
<b>RRP (exc VAT)</b>	<b>£7,397</b>	<b>£8,266</b>	<b>£9,145</b>	<b>£10,086</b>	<b>£16,083</b>
<b>RRP (inc VAT)</b>	<b>£8,876.40</b>	<b>£9,919.20</b>	<b>£10,974.00</b>	<b>£12,103.20</b>	<b>£19,299.60</b>



The P-DKF disc mower has all the advantages of the smaller P-DK models, such as the ability to mow uneven ground or moist grass, while also being suitable for larger tractors. The large P-DKK model comes with an optional conditioner to promote quicker crop drying.

The cutter bar is also designed for more intensive use and easier repair. This is thanks to the robustly constructed gear transmission set in an oil bath, allowing this machine to operate quickly and efficiently.

# P-RAS Hay Tedder

Category 1 & 2 Linkage

**FPM**  
AGROMEHANIKA

Two year warranty	Transmission with claw couplings
Hydraulic folding arms	Adjustable height through wheels
Stabilising shock absorbers	Adjustable angle of scattering

**P-RAS**





## Applications

- ▶ Hay-making
- ▶ Smallholdings & equestrian
- ▶ Pastoral farming
- ▶ Grassland

## Specifications

Model No	P-RAS400/4	P-RAS600/6	P-RAS800/8
Working width	400cm	600cm	800cm
No. of tine rotors	4	6	8
HP range	25+	48+	90+
Weight	574kg	732kg	1,100kg
<b>RRP (exc VAT)</b>	<b>£8,683</b>	<b>£12,168</b>	<b>£19,748</b>
<b>RRP (inc VAT)</b>	<b>£10,419.60</b>	<b>£14,601.60</b>	<b>£23,697.60</b>



Hay tedders are ideal for turning and spreading mown grass for hay-making. This significantly accelerates the drying process.

The wheels easily follow the contour of the terrain, allowing the tines on the rotating swivelhead to grip the grass mass without crushing or damage to the roots of the plant. This reduces the dependence on the weather and improves the nutrient-content of the hay.

# P-RS Rotary Rake

Category 1 & 2 Linkage



Two year warranty	Ground contour adaptation mechanism
Folding arms for easy transport	Gearbox with set of bevel & helical gears
Stabilising shock absorbers	Vertical wheel movement of +/- 10°



## Applications

- ▶ Hay-making & equestrian
- ▶ Smallholdings
- ▶ Pastoral farming

## Specifications

Model No	P-RS300/8	P-RS410/11+
Width	300cm	410cm
Linkage	Cat I/II	
HP range	20+	45+
Weight	332kg	580kg
<b>RRP (exc VAT)</b>	<b>£3,646</b>	<b>£7,206</b>
<b>RRP (inc VAT)</b>	<b>£4,375.20</b>	<b>£8,647.20</b>



Rotary rakes represent the latest technology for raking hay into rows ready for baling. This machine only picks up the cut grass without impurities such as dirt and stones, for the best quality fodder.

The P-RS rotary rake is easy to maintain and low cost to run. The larger sizes come with four wheels as standard for greater stability.

# P-SS Wheel Rake

Category 1 & 2 Linkage



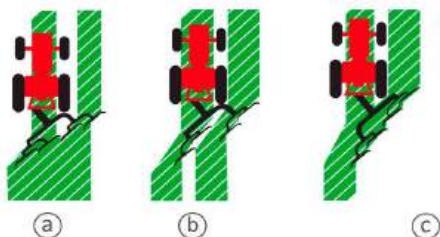
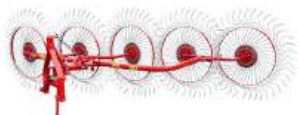
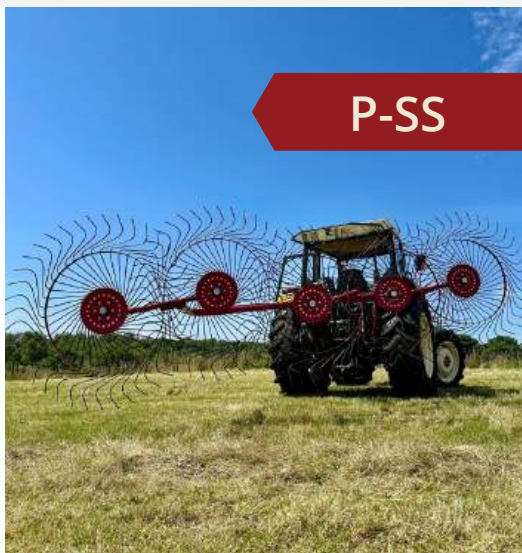
Two year warranty	Ground contour adaptation mechanism
Folding arms for easy transport	Multiple applications with angling
Stabilising shock absorbers	Automatic lubricator on wheel bearings

## Applications

- ▶ Hay-making & equestrian
- ▶ Smallholdings & grassland
- ▶ Wild flower meadows

## Specifications

Model No	P-SS240/4	P-SS300/5
Width	240cm	300cm
Linkage	Cat I/II	
HP range	24+	41+
Weight	185kg	286kg
<b>RRP (exc VAT)</b>	<b>£1,418</b>	<b>£1,799</b>
<b>RRP (inc VAT)</b>	<b>£1,701.60</b>	<b>£2,158.80</b>



The P-SS wheel rake is a versatile attachment which spreads (a), turns (b) and rakes (c) mown grass for a quicker drying time. There is also a possibility of raking hay in one or more windrows depending on the quantity.

This wheel rake is suitable for almost any type of terrain, thanks to its excellent ground contour adaptation.

# H-HG Drag Harrows

*The Fixed Grass Harrow*



**William Hackett**

Budget style harrow bed	British made harrows
Ring hitch for ATVs, tractors and vehicles	Simple to fit and operate
Tine diameter ½"	Fixed tines for aggressive action

**H-HG**





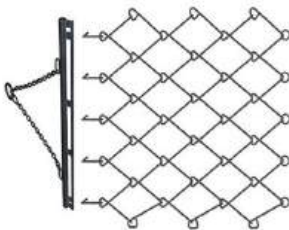


## Applications

- ▶ Grass aeration
- ▶ Levelling mole hills
- ▶ Spreading muck & manure
- ▶ Conditioning pasture & paddocks
- ▶ Smoothing & rejuvenating

## Specifications

Model No	H-HG04	H-HG05	H-HG06	H-HG08
Working width	120cm	150cm	180cm	240cm
Tine type	Fixed			
Weight	37kg	44kg	51kg	68kg
<b>RRP (exc VAT)</b>	<b>£221</b>	<b>£269</b>	<b>£332</b>	<b>£420</b>
<b>RRP (inc VAT)</b>	<b>£265.20</b>	<b>£322.80</b>	<b>£398.40</b>	<b>£504.00</b>



Preferred Direction of Pull



The single direction tines give a fixed harrow style. It is great for levelling mole hills, to spread manure and aerate soil in fields. The grass harrow has a reduced number of tines on the bed for a lighter weight and budget friendly harrow.

These harrows are manufactured in Britain from high quality carbon steel. With a simple ring hitch, the harrows are suitable for tractors, ATVs and 4x4s.

# H-HC Drag Harrows

*The 3-Way Towed Harrow*



**William Hackett**

Flexible 3 way tines for varied actions	British made harrows
Ring hitch for ATVs, tractors and vehicles	Simple to fit and operate
Tine diameter ½"	5ft deep harrow bed

H-HC



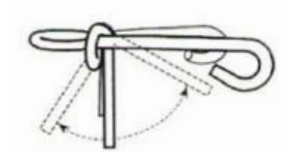


## Applications

- ▶ Grass aeration
- ▶ Levelling mole hills
- ▶ Spreading muck & manure
- ▶ Conditioning pasture & paddocks
- ▶ Smoothing & rejuvenating

## Specifications

Model No	H-HC04	H-HC05	H-HC06	H-HC08
Working width	120cm	150cm	180cm	240cm
Tine type	3 way			
Weight	50kg	60kg	79kg	97kg
<b>RRP (exc VAT)</b>	<b>£291</b>	<b>£356</b>	<b>£439</b>	<b>£563</b>
<b>RRP (inc VAT)</b>	<b>£349.20</b>	<b>£427.20</b>	<b>£526.80</b>	<b>£675.60</b>



**Tine Action**

The 3 way harrow tines give an aggressive harrow, levelling and aerating the soil. They can be turned around for a slightly less vigorous harrow to spread manure etc. Finally, a light harrowing when upturned, which is ideal for smoothing a variety of surfaces.

The harrows are manufactured in Britain from high quality carbon steel. With a simple ring hitch, the harrows are suitable for tractors, ATVs and 4x4s.

# H-HF Framed Harrows

*The 3-Way Versatile Harrow*



**William Hackett**

Flexible 3 way tines for varied actions	British made harrows
3 point linkage for compact tractors	Simple to operate & manoeuvre
Tine diameter ½"	5ft deep paddock harrow bed

**H-HF**



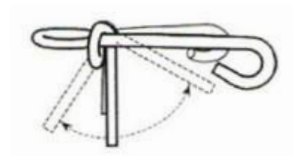


## Applications

- ▶ Grass aeration
- ▶ Levelling mole hills
- ▶ Spreading muck & manure
- ▶ Conditioning pasture & paddocks
- ▶ Smoothing & rejuvenating

## Specifications

Model No	H-HF04	H-HF06	H-HF08	H-HF12
Working width	120cm	180cm	240cm	360cm
Tine type	3 way			
Weight	125kg	155kg	170kg	215kg
Frame type	Fixed	Folds to 4ft		
<b>RRP (exc VAT)</b>	<b>£652</b>	<b>£950</b>	<b>£1,070</b>	<b>£1,414</b>
<b>RRP (inc VAT)</b>	<b>£782.40</b>	<b>£1,140.00</b>	<b>£1,284.00</b>	<b>£1,696.80</b>



Tine Action

The 3 way harrow tines give an aggressive harrow, levelling and aerating the soil. They can be turned around for a slightly less vigorous harrow to spread manure etc. Finally, a light harrowing when upturned, which is ideal for smoothing a variety of surfaces.

The folding frame allows the harrow to fit through gateways and is easy to transport between fields. With a 3 point linkage, the harrows are suitable for a range of tractors.

# W-FS Fertiliser Spreader

*The Multi-Purpose Spreader*



Stainless steel dish and vanes	Easy feed-rate
Adjustable spreading	Deflector kit aids efficient salt-spreading
4 adjustable vanes for even distribution	Agitator kit aids even distribution

W-FS





## Applications

- ▶ Paddock maintenance
- ▶ Fertiliser spreading
- ▶ Winter maintenance
- ▶ Sand & seed broadcasting

## Specifications

Model No	W-FS250	W-FS500
Capacity	240L	385L
HP range	20+	
Weight	56kg	63kg
<b>RRP (exc VAT)</b>	<b>£509</b>	<b>£582</b>
<b>RRP (inc VAT)</b>	<b>£610.80</b>	<b>£698.40</b>
<b>Cover Add On (exc VAT)</b> <i>(inc VAT)</i>	<b>+</b> <b>£125</b> <b>£150.00</b>	
<b>Deflector Add On (exc VAT)</b> <i>(inc VAT)</i>	<b>+</b> <b>£200</b> <b>£240.00</b>	
<b>Agitator Add On (exc VAT)</b> <i>(inc VAT)</i>	<b>+</b> <b>£40</b> <b>£48.00</b>	



The Winton PTO Spreader has a sturdy build which makes it the ideal implement for smallholders. The hopper is made in one piece for extra strength, while the disc and vanes are manufactured in stainless steel for increased longevity.

The spreader is made for distributing dry fertiliser and seeds, but with the deflector kit upgrade it can also be used for salt or sand. PVC covers are available in both sizes.

## W-AR5 Aerator

*The Aeration Hero*



Blade locking system	Painted heavy duty frame and storage stand
Double sided grounds care blades	Built-in weight tray
Blades in a spiral for smooth aeration	Working depth of 18cm

**W-AR5**





## Applications

- ▶ Smallholdings
- ▶ Lawns
- ▶ Campsites
- ▶ Parks & grassland
- ▶ Sports Pitches



## Specifications

<b>Model No</b>	<b>W-AR5</b>
Max. working depth	18cm
No. of blades	24
Weight	235kg
HP range	26-60
<b>RRP (exc VAT)</b>	<b>£2,030</b>
<b>RRP (inc VAT)</b>	<b>£2,436.00</b>
<b>Roller Upgrade (exc VAT)</b> <i>(inc VAT)</i>	<b>+</b> <b>£699</b> <b>£838.80</b>



The aerator relieves compacted soil and promotes root growth to improve grass quality and health. Regular use also improves drainage, to prevent boggy ground.

The three-pointed blades pierce the soil with minimal disruption to the grass itself. It includes a carrying rack for extra weights, which along with the rotor angle can be adjusted to better suit the terrain.

## W-FR Field Roller

*The Rock 'n' Roller*



Adaptable hitch for variety of vehicles

Ballast drum easily filled and drained

Robust construction

Easy to fit and operate

W-FR





## Applications

- ▶ Smallholdings
- ▶ Lawns
- ▶ Campsites
- ▶ Parks & grassland
- ▶ Sports Pitches

## Specifications

Model No	W-FR4	W-FR5	W-FR6
Working width	122cm	152cm	182cm
Overall width	136cm	166cm	196cm
Weight	170kg	210kg	245kg
Laden weight	410kg	515kg	610kg
<b>RRP (exc VAT)</b>	<b>£922</b>	<b>£1,019</b>	<b>£1,112</b>
<b>RRP (inc VAT)</b>	<b>£1,106.40</b>	<b>£1,222.80</b>	<b>£1,334.00</b>



The W-FR field roller is ideal for levelling paddocks or sports pitches after topping or harrowing. The rollers attach to a range of smaller tractors with a simple pin hitch, but a ball hitch adaptor is also available for ATVs and 4x4 vehicles.

For best results, the rollers can be filled with fluid until they reach the perfect weight for the desired effect. In the winter, it is recommended to use Winton Frost Blocker to prevent ice damage to the roller.

## S-FTL Rotovator

*The Compact Decompactor*



Budget-friendly rotary tiller	Maximum tilling depth of 9cm
Height adjustable skids for tilling depth	Rear flap/guard adjustable for smooth finish
Suitable for compact tractors	Simple to fit and operate

S-FTL





### Applications

- ▶ Smallholdings
- ▶ Allotments & market gardens
- ▶ Landscaping
- ▶ Vineyards
- ▶ Soil preparation for planting & seeding

### Specifications

Model No	S-FTL105	S-FTL125	S-FTL155
Working width	105cm	125cm	155cm
HP range	15-22	20-30	25-40
Weight	195kg	210kg	295kg
<b>RRP (exc VAT)</b>	<b>£1,175</b>	<b>£1,294</b>	<b>£1,412</b>
<b>RRP (inc VAT)</b>	<b>£1,410.00</b>	<b>£1,552.80</b>	<b>£1,694.40</b>
<b>PTO Slip Clutch Upgrade (exc VAT)</b> <i>(inc VAT)</i>		<b>£50</b> +	<b>£60.00</b> +



Rotary tillers are ideal for tilling and levelling the ground. These machines break up compacted soil ready for planting. The skids are adjustable for flexible tilling depth, and the rear flap creates a smooth, level finish on the tilled soil.

The S-FTL rotovator is a great standard-use tiller. It can be used for cultivating soil in vegetable gardens and allotments ready for planting.

## P-LF Rotovator

*Category 1N, or 1 & 2 Linkage*

**FPM**  
AGROMEHANIKA

Two year warranty	Maximum tilling depth of 18cm
Adjustable skid position for tilling depth	Rear guard adjustable for smooth finish
Robust build for compacted ground	Shear bolt PTO for enhanced safety

**P-LF**





### Applications

- ▶ Smallholdings
- ▶ Allotments & market gardens
- ▶ Landscaping
- ▶ Vineyards
- ▶ Soil preparation for planting & seeding

### Specifications

Model No	P-LF125	P-LF145	P-LF165
Working width	125cm	145cm	165cm
HP range	20+	25+	30+
Weight	172kg	186kg	195kg
<b>RRP (exc VAT)</b>	<b>£1,552</b>	<b>£1,656</b>	<b>£2,495</b>
<b>RRP (inc VAT)</b>	<b>£1,862.40</b>	<b>£1,987.20</b>	<b>£2,984.00</b>



Rotators are the ideal machine for cultivating compacted soil ready for planting. The skids on this model are adjustable for a flexible tilling depth, down to 18cm depth, while the rear flap creates a smooth, level finish on the tilled soil.

The P-LF rotator series is a great attachment for compact tractors. The robust, sturdy structure, blades and gearbox give this machine incredible strength and power. The P-LF125 model is designed for a narrow linkage (1N).

## W-RT Rotovator

*The Heavier-Duty Tiller*



Sprocket-driven for maximum power transfer	Maximum tilling depth of 15cm
Robust heavy-duty gearbox	Rear guard easily adjustable
Wide blades for longevity	Adjustable skids for versatile use

W-RT







## Applications

- ▶ Smallholdings
- ▶ Allotments & market gardens
- ▶ Estates
- ▶ Landscaping
- ▶ Soil preparation for planting & seeding

## Specifications

Model No	W-RT125	W-RT150
Working width	125cm	150cm
HP range	25-40	30-55
Weight	285kg	320kg
<b>RRP (exc VAT)</b>	<b>£1,844</b>	<b>£1,976</b>
<b>RRP (inc VAT)</b>	<b>£2,212.80</b>	<b>£2,371.20</b>
<b>PTO Slip Clutch Upgrade (exc VAT)</b>	<b>£50</b>	
<i>(inc VAT)</i>	<b>£60.00</b>	



The Winton W-RT rotovators are heavier-duty options for compact tractors. This is thanks to their powerful gearbox and sturdy frame.

This heavier rotovator range offers a greater tilling depth than other standard lighter-use equivalents, ideal for breaking up heavier soils, such as clay. The rear flap creates a smooth level finish on the newly cultivated soil.

## P-SPF Rotovator

*Category 2 Linkage*

**FPM**  
AGROMECHANIKA

Two year warranty	Increased tilling depth of 20cm
Optional hydraulic offset available	Robust, heavy duty gearbox
Suitable for commercial & contracting use	Shear bolt PTO for enhanced safety

**P-SPF H**





## Applications

- ▶ Arable farmland
- ▶ Estates
- ▶ Landscaping
- ▶ Soil preparation for planting & seeding
- ▶ Contracting

## Specifications

Model No	P-SPF185	P-SPF185H	P-SPF205
Working width	185cm	185cm	205cm
HP range	35+	35+	50+
Offset	Manual	Hydraulic	Manual
Weight	335kg	450kg	380kg
<b>RRP (exc VAT)</b>	<b>£3,487</b>	<b>£5,122</b>	<b>£3,736</b>
<b>RRP (inc VAT)</b>	<b>£4,184.40</b>	<b>£6,146.40</b>	<b>£4,483.20</b>



These heavy-duty rotovators have the size and power to tackle larger scale cultivation than those aimed at smaller compact tractors. The manual side-shift function on the P-SPF range gives it the capability to till soil in awkward-to-reach areas.

This range of rotovators from FPM offers low fuel consumption despite its power, thanks to its high quality blades and heavy-duty gearbox.

## W-SB Stone Burier

*The Seed Bed Hero*



Rear mesh roller for quality finish	Maximum tilling depth of 12cm
Robust heavy-duty gearbox	Easily adjustable roller position
Even soil distribution	Optional seeder attachment available

**W-SB**





**W-SS**

## Applications

- ▶ Soil preparation for seeding & planting
- ▶ Smallholdings
- ▶ Allotments & market gardens
- ▶ Landscaping
- ▶ Surface re-dressing

## Specifications

Model No	W-SB105	W-SB125	*W-SS105R	*W-SS125R
Working width	105cm	125cm	105cm	125cm
HP range	20-28	25-30	20-28	25-30
Weight	266kg	288kg	360kg	390kg
<b>RRP (exc VAT)</b>	<b>£1,743</b>	<b>£1,834</b>	<b>£2,242</b>	<b>£2,353</b>
<b>RRP (inc VAT)</b>	<b>£2,091.60</b>	<b>£2,200.80</b>	<b>£2,690.40</b>	<b>£2,823.60</b>
<b>PTO Slip Clutch Upgrade (exc VAT)</b>	<b>£50</b>			
<i>(inc VAT)</i>	<b>+ £60.00</b>			



W-SB stone buriers rotovate the soil up to 12cm depth, burying stones and debris whilst also levelling the ground in one pass for a smooth new seed bed. The heavier stones and other debris are placed underneath the lighter, tilled soil which then lays on top.

The roller section runs over behind the blades and levels the tilled soil, leaving the area ready for seeding. For heavy or clay soil, a smaller model may be required and the blades may need cleaning after each run. Not suitable for rubble or builders waste.

\*A seeder option is available - see W-SS models. Prices include machine and seeder bucket. Due to some minor modifications, machine may vary from image.

## W-PH Power Harrow

*The Compact Aerator*



Blades designed for maximum aeration

Maximum tilling depth of 15cm

Separate blade carriers for better efficiency

Rear mesh roller for smooth finish

Shear bolt PTO shaft for enhanced safety

Crumble bar roller option available

W-PH





## Applications

- ▶ Smallholdings
- ▶ Allotments & market gardens
- ▶ Landscaping
- ▶ Aeration of soil
- ▶ Minimum soil disruption

## Specifications

Model No	W-PH130	W-PH170
Working width	130cm	170cm
HP range	25-40	36-60
Weight	274kg	345kg
<b>RRP (exc VAT)</b>	<b>£2,105</b>	<b>£2,239</b>
<b>RRP (inc VAT)</b>	<b>£2,526.00</b>	<b>£2,686.80</b>
<b>PTO Slip Clutch Upgrade (exc VAT)</b> <i>(inc VAT)</i>	+	<b>£50</b> <b>£60.00</b>



These power harrows are designed for less stony/rocky areas with no grass and are essential for aerating the ground. This enables the soil to gain warmth quicker and drain better so that planted materials can grow in healthier conditions.

The steel blades aggressively churn the soil and evenly distribute it over the whole working width. The roller gently levels off the aerated soil to create a perfect seedbed.

## P-RD Heavy Duty Power Harrow

*Category 2 Linkage*



Two year warranty	Maximum tilling depth of 26cm
Robust heavy-duty gearbox	Rear packing roller upgrade for best finish
Shear bolt PTO shaft for enhanced safety	Even soil distribution & maximum aeration

**P-RD**



**Fitted with Packing Roller Upgrade**





## Applications

- ▶ Smallholdings
- ▶ Arable farming
- ▶ Landscaping
- ▶ Aeration of soil
- ▶ Minimum soil disruption

## Specifications

<b>Model No</b>	<b>P-RD200/10</b>
Working width	200cm
HP range	60+
Weight	890kg
<b>RRP (exc VAT)</b>	<b>£8,647</b>
<b>RRP (inc VAT)</b>	<b>£10,376.40</b>
<b>Packing Roller Upgrade (exc VAT)</b>	<b>£1,664</b>
<i>(inc VAT)</i>	<b>+</b> <b>£1,996.80</b>



This large power harrow is ideal for less stony/rocky areas with little foliage to prepare the soil for seeding, even over a large area. Treating the soil with the FPM power harrow allows new growth to thrive in well-aerated ground with better drainage.

The steel blades churn the soil, to break down even the most compacted soil in one pass. The rear roller then levels out the soil for a smooth finish. The P-RD comes with a crumbling bar roller as standard.

# W-RP01 Ripper & Pipe Layer

*The Magnificent Multi-tool*



Unintrusive cable laying	Reversible and replaceable blade
Extremely cost and time efficient	Detachable pipe layer section
Allows flexible pipe up to 4.5cm diameter	Maximum ripping depth of 60cm



## Applications

- ▶ Smallholdings
- ▶ Paddocks or pasture
- ▶ Allotments & market gardens
- ▶ Landscaping

## Specifications

Model No	W-RP01
Blade length	30cm
HP range	15-35
Weight	45kg
<b>RRP (exc VAT)</b>	<b>£323</b>
<b>RRP (inc VAT)</b>	<b>£387.60</b>



The ripper and pipe layer is ideal for laying flexible pipe or cable. This attachment benefits from being quick and simple to fit and operate to most tractors with a category I linkage, causing minimum ground disruption.

The ripper can reach a maximum of 24 inches underground, though the actual achieved depth will depend on the tractor and soil type. The maximum diameter for the pipe or cable is 45mm for the Winton W-RP01. For a demonstration, please see the video on our website.

# D-DR60 Ripper & Pipe Layer

*The All-in-One Aficionado*

# DELEKS®

Unintrusive cable laying	Reversible and replaceable blade
Extremely cost and time efficient	Detachable pipe layer section
Allows flexible pipe up to 7.5cm diameter	Maximum ripping depth of 60cm

## Applications

- ▶ Smallholdings
- ▶ Allotments & market gardens
- ▶ Paddocks or pasture
- ▶ Landscaping

## Specifications

Model No	D-DR60
Blade length	30cm
HP range	30-60
Weight	90kg
<b>RRP (exc VAT)</b>	<b>£687</b>
<b>RRP (inc VAT)</b>	<b>£824.40</b>



*"Thanks for the pipe layer, it worked a treat putting a cable under our lawn. Much less damage than digging and goes back to before with little sign of disturbance."*

**- Michael, Suffolk**

The D-DR60's ripper can reach a depth of 24 inches through the earth. The actual achieved depth will depend on the tractor and soil type. The maximum diameter for the flexible pipe or cable is 75mm. The ripper and pipe layer is ideal for laying pipe or cable without the need for a backhoe.

This attachment fits compact tractors with a 3-point category 1 & 2 linkage.

# D-DE120/5 Cultivator

*The Soil Specialist*

# DELEKS®

Improves drainage	Working depth of 35cm
Strong channel frame	Tines supported by twin springs
Replaceable and reversible shank	Heat-forged tines to withstand stony soil

## D-DE120/5



### Applications

- ▶ Smallholdings
- ▶ Paddocks or pasture
- ▶ Allotments & market gardens
- ▶ Landscaping

### Specifications

Model No	D-DE120/5
Working width	120cm
HP range	16-35
Weight	128kg
<b>RRP (exc VAT)</b>	<b>£740</b>
<b>RRP (inc VAT)</b>	<b>£888.00</b>



The D-DE120/5 is designed to disturb the soil in careful patterns, sparing crop plants but disrupting the weeds. It can be used for loosening and aerating the soil to a depth of approximately 35cm, depending on the soil type and horse power of the tractor.

Cultivating reduces the build-up of stagnant water and helps to distribute moisture throughout the worked soil for improved fertility.

# D-DP16 Plough

*The Compact Plough*

# DELEKS®

Adjustable tilt and depth	Detachable and replaceable blade
Gauge wheel for easy depth adjustment	Small size allows ploughing close to tree line
Suits sub-compact and compact tractors	Additional welded frame for increased strength

## Applications

- ▶ Smallholdings
- ▶ Allotments & market gardens
- ▶ Arable fields
- ▶ Landscaping

## Specifications

Model No	D-DP16
Cut width	30cm
HP range	15-35
Weight	50kg
<b>RRP (exc VAT)</b>	<b>£434</b>
<b>RRP (inc VAT)</b>	<b>£520.80</b>



The Deleks Plough's narrow design allows for working close to the tree line without disturbing saplings. The tilt and depth can be easily adjusted via the gauge wheel to maximise versatility. This implement is ideal for a compact tractor.

The D-DP16 has a short arm with an additional welded frame. This gives it a reinforced frame which can handle even thick clay soils.

# W-LL5 Land Leveller

*The Smooth Operator*



Very low maintenance	Reversible head stock for a smooth pass
Heavy duty rigid frame	One reversed blade for a smooth finish
Three forward-facing aggressive blades	Fully painted



## Applications

- ▶ Tracks and driveways
- ▶ Sand menages
- ▶ Estates
- ▶ Landscaping

## Specifications

Model No	W-LL5
Working width	150cm
HP range	20-40
Weight	70kg
<b>RRP (exc VAT)</b>	<b>£611</b>
<b>RRP (inc VAT)</b>	<b>£733.20</b>



*"Great company and very helpful. The product was good quality and we had prompt delivery. Would certainly use again."*

*- James, Buckinghamshire*

The Winton land leveller is a highly effective piece of equipment for land reclamation and creating a smooth surface. This implement can be easily reversed for levelling sand menages, horse gallops and drives to a smooth finish.

The three front-facing blades give an aggressive scraping, followed by one reversed blade which leaves a smooth finish.

# W-LR Landscape Rakes

*The Top Tidier*



Robust heavy-duty frame	Adjustable offset positions
Head can be angled or reversed for control	Heavy-sprung steel tines
Suitable for small or compact tractors	Simple to fit and operate

## Applications

- ▶ Tidying smallholdings
- ▶ Allotments & market gardens
- ▶ Estates
- ▶ Spreading landscaping materials

## Specifications

Model No	W-LR5	W-LR6
Working width	150cm	180cm
Adjustment angle	360°	
HP range	20-45	25-55
Weight	126kg	185kg
<b>RRP (exc VAT)</b>	<b>£664</b>	<b>£810</b>
<b>RRP (inc VAT)</b>	<b>£796.80</b>	<b>£972.00</b>



This attachment is perfect for aerating and weeding. The head can be angled or reversed for better control in more awkward-to-reach areas. It is primarily designed for levelling and spreading of soil, chippings, shingle and gravel.

The sprung tines will also collect cut grass, debris and stones from paddock areas. The tines offer a scarifying effect whilst they collect material.

# W-RB Box Grader

*A Grade Above*



Robust heavy-duty tines	Height-adjustable tines for depth control
Simple to fit and operate	Reversible and replaceable blades
Reinforced A-frame	Promotes soil aeration and drainage



## Applications

- ▶ Allotments & market gardens
- ▶ Estates
- ▶ Landscaping
- ▶ Driveway maintenance

## Specifications

Model No	W-RB4	W-RB5	W-RB6
Width	120cm	150cm	180cm
No. of tines	4	5	6
HP range	16+	20+	25+
Weight	190kg	250kg	310kg
<b>RRP (exc VAT)</b>	<b>£645</b>	<b>£718</b>	<b>£787</b>
<b>RRP (inc VAT)</b>	<b>£774.00</b>	<b>£861.60</b>	<b>£944.40</b>



Box graders are designed for levelling ground and tracks. The height-adjustable ripper tines are perfect for ripping the soil to a variety of depths. Alternatively, the tines can be set at the highest point or removed to use the implement as a grader blade.

The scarifying effect of the tines is vital for breaking up clumps for better drainage and healthier soil, while the grader blade levels the surface afterwards.



# W-GB H Grader Blades

*The Great Leveller*



360° pivot	Reinforced design for strength and reliability
Toughened steel blade	Blade easily replaceable
Suits small and compact tractors	Simple to fit and operate

## Applications

- ▶ Smallholdings
- ▶ Drives and tracks
- ▶ Equestrian centres
- ▶ Landscaping

## Specifications

Model No	W-GB5H	W-GB6H
Width	150cm	180cm
HP range	25-40	30-55
Weight	90kg	105kg
<b>RRP (exc VAT)</b>	<b>£451</b>	<b>£493</b>
<b>RRP (inc VAT)</b>	<b>£541.20</b>	<b>£591.60</b>



*"Absolutely brilliant supplier, very helpful with my back and forth questions and super-fast delivery by courier."*

*- Ian, Lincolnshire*



With a toughened steel blades which can pivot 360°, the Winton grader blade is a highly versatile attachment for levelling a wide range of surfaces. It is ideal for flattening tracks, sand menages or freshly tilled ground.

The manual pivot allows the user to level even the narrowest and most awkward areas to a fine finish.

\*New reinforced model for 2025, machine may vary from image.

# W-HBF Post Hole Borers

*The Essential Auger*



Reinforced framework	Gravity levelling auger
Simple to fit and operate	Interchangeable auger bits
Replaceable blades and auger tips	Maximum depth 90cm

**W-HBF**





## Applications

- ▶ Fencing smallholdings
- ▶ Paddocks and fields
- ▶ Estates
- ▶ Post boring for landscaping
- ▶ Equestrian centres

## Specifications

Model No (Frame & Auger)	W-HBF04	W-HBF06	W-HBF09	W-HBF12
Included auger width	4 inches	6 inches	9 inches	12 inches
HP range	20-50			
Weight	128kg	138kg	148kg	158kg
<b>RRP (exc VAT)</b>	<b>£879</b>	<b>£889</b>	<b>£899</b>	<b>£910</b>
<b>RRP (inc VAT)</b>	<b>£1,054.80</b>	<b>£1,066.80</b>	<b>£1,078.80</b>	<b>£1,092.00</b>
Auger (Only) No	W-HB-A04	W-HB-A06	W-HB-A08	W-HB-A12
<b>Additional auger (exc VAT)</b> <span style="color: red; font-weight: bold;">+</span>	<b>£145</b>	<b>£155</b>	<b>£165</b>	<b>£175</b>
<i>(inc VAT)</i>	<b>£174.00</b>	<b>£186.00</b>	<b>£198.00</b>	<b>£210.00</b>



The Winton post hole borers are ideal for installing fencing around paddocks and fields. The implement is quick and simple to fit and operate. The borers can drill holes up to 3 feet deep.

The attachment is supplied complete with an auger in the size of your choosing, a heavy-duty gearbox and reinforced framework. Replacement blades, tips and augers are available.

# W-TL15 Tipping Trailer

*The Tidy Transporter*



Removeable side and rear panels	1.5 tonne maximum loading capacity
Turf tyres to reduce tread marks	Independent hand brake
Clevis hitch fitting	Adjustable jockey stand



## Applications

- ▶ Smallholdings
- ▶ Gardens
- ▶ Estates

## Specifications

Model No	W-TL15
Internal dim.	118 x 193 x 35cm
Tractor HP	14-40
Weight	330kg
<b>RRP (exc VAT)</b>	<b>£1,898</b>
<b>RRP (inc VAT)</b>	<b>£2,277.60</b>
<b>Mesh sides (exc VAT)</b>	<b>+ £561</b>
<i>(inc VAT)</i>	<b>£673.20</b>



This tipping trailer is perfect for moving a wide range of items. It is fitted with turf tyres so tread marks left in the grass are reduced. The trailers require a single-acting hydraulic spool on the tractor to operate the upward lift on the trailer.

It is ideal for moving logs, muck, hay and plants around any estate or smallholding. This model is not designed for use on British roads.

Various colour options available, please contact our sales department for details.

# W-TD30 Dropside Trailer

*The Heavy Lifter*



Removeable side and rear panels	3 tonne maximum loading capacity
Turf tyres to reduce tread marks	Optional light kit
Clevis hitch fitting	Adjustable jockey stand

## Applications

- ▶ Market gardens
- ▶ Smallholdings
- ▶ Yards

## Specifications

Model No	W-TD30
Internal dim.	140 x 290 x 45cm
Tractor HP	30+
Weight	605kg
<b>RRP (exc VAT)</b>	<b>£3,506</b>
<b>RRP (inc VAT)</b>	<b>£4,207.20</b>
<b>Mesh sides (exc VAT)</b>	<b>£880</b>
<b>(inc VAT)</b>	<b>£1,056.00</b>



The Winton dropside trailer can carry an impressive 3tn of just about anything, from manure, hay and plants, to wood, paving slabs and gravel. Despite this capacity, the turf tyres ensure that minimal damage is caused to the grass.

The side and rear panels can be removed, or mesh sides added for enhanced versatility, making it an essential for the busy smallholder. Not designed for UK road use.

# W-TB Tipping Link Boxes

## The Robust Transport Box



Manual tipping lever for easy use	Welded side panels for increased strength
Suitable for small or compact tractors	Reinforced structure
Robust & durable	Removeable sides for scoop loading



### Applications

- ▶ Equestrian & pasture
- ▶ Estates & forestry
- ▶ Landscaping

### Specifications

Model No	W-TB120	W-TB150
Internal width	112cm	142cm
External width	120cm	150cm
Max. load	500kg	500kg
Weight	91kg	102kg
<b>RRP (exc VAT)</b>	<b>£498</b>	<b>£547</b>
<b>RRP (inc VAT)</b>	<b>£597.60</b>	<b>£656.40</b>



The Winton tipping link box benefits from its welded structure, giving it increased strength and durability. The rear panel can be removed by undoing the latches on either side, allowing the box to be used as a scoop for loading softer materials.

The tipping lever is operated manually, meaning that this attachment requires very little maintenance. Optional mesh extender sides available.

# W-WB Weight Boxes

*The Sturdy Stabiliser*



Suitable for small or compact tractors	Weight adjusted by adding ballast to the box
Increases stability	Quick and easy to fit on 3-point linkage
Robust & durable	Reduces wear on tractor

## Applications

- ▶ Equestrian & pasture
- ▶ Estates & forestry
- ▶ Landscaping

## Specifications

Model No	W-WB225	W-WB450
Full weight	225kg	450kg
Dimensions	59x33x70cm	69x48x75cm
Lower linkage	41-62cm	
Weight	45kg	110kg
<b>RRP (exc VAT)</b>	<b>£459</b>	<b>£512</b>
<b>RRP (inc VAT)</b>	<b>£550.80</b>	<b>£614.40</b>



Winton weight boxes give compact tractors increased stability and prevent the tractor tipping due to a heavy front loader or machine. The weight box can be brought to the desired weight by adding sand or aggregate to the inside of the box.

These handy implements are easy to attach to the 3-point linkage of a range of small and compact tractors.

## W-PF Pallet Forks

*The Pallet Porter*



Sturdy steel forks provide a sturdy base	Tapered fork tips for easy loading
Low maintenance due to no moving parts	Sturdy welds for increased strength
Simple to fit and operate	Load is distributed over 3 points



### Applications

- ▶ Smallholdings
- ▶ Estates
- ▶ Equestrian centres
- ▶ Landscaping

### Specifications

Model No	W-PF500	W-PF750
Load capacity	500kg	750kg
HP range	14-35	25-70
Weight	35kg	57kg
<b>RRP (exc VAT)</b>	<b>£336</b>	<b>£406</b>
<b>RRP (inc VAT)</b>	<b>£403.20</b>	<b>£487.20</b>



*"Totally satisfied, many thanks."*

*- James, Shropshire*

Winton pallet forks have a fixed structure, making them very robust, as well as offering great value for money. The lack of moving parts also means that they are very low maintenance.

The pallet fork is ideal for moving hay bales, pallets and items on a pallet around smallholdings, estates and farms. The solid steel forks provide a sturdy base for lifting.



# D-D Pallet Forks

*The Flexible Forks*

# DELEKS®

Easily adjustable fork tines	Removable and replaceable fork tines
Manufactured from high-quality steel	Tapered fork tips for easy loading
Easily transportable with folding forks	Load is distributed over 3 points

## Applications

- ▶ Smallholdings
- ▶ Groundworks
- ▶ Estates
- ▶ Landscaping

## Specifications

Model No	D-D300	D-D700
Load capacity	300kg	700kg
HP range	14-35	25-70
Weight	45kg	110kg
<b>RRP (exc VAT)</b>	<b>£388</b>	<b>£675</b>
<b>RRP (inc VAT)</b>	<b>£465.60</b>	<b>£810.00</b>



The Deleks pallet forks are incredibly versatile thanks to their adjustable fork tines. They can be folded up for easier storage and transport when not in use. Their adjustment allows for carrying pallets in multiple sizes with ease.

The forks are made from solid steel for increased strength, and have a tapered end for easier loading.

## W-BS Bale Spikes

*The Hay Heavy-Weights*



Budget-friendly	Simple to operate
Suitable for compact tractors	Option for round or heston bales
Front mount Euro brackets included on W-BS02 and W-BS3H models	Low maintenance

**W-BS01**





W-BS3H

### Applications

- ▶ Small farms
- ▶ Smallholdings
- ▶ Paddocks and fields
- ▶ Estates
- ▶ Equestrian centres

### Specifications

Model No	W-BS01	W-BS02	W-BS3H
Load capacity	450kg	1,000kg	
HP range	20-50	30+	
Top spike	100cm	47cm	N/A
Bale type	Round	Round	Big square
Weight	35kg	70kg	78kg
<b>RRP (exc VAT)</b>	<b>£262</b>	<b>£302</b>	<b>£490</b>
<b>RRP (inc VAT)</b>	<b>£314.40</b>	<b>£362.40</b>	<b>£588.00</b>



The Winton bale spikes are simple 3-point linkage attachments for transporting hay, straw and silage bales. The W-BS01 is suitable for compact tractors with a lower linkage width of minimum 85cm, while the other two options are suitable for larger linkages, whether they require a Euro bracket or a 3-point linkage.

The W-BS01 model is rear-mounted and suitable for smaller round bales. The W-BS02 is ideal for round bales, whereas the W-BS3H is ideal for square Heston bales. The latter two can be rear-mounted or attached to Euro front-loader brackets.

# W-WC Wood Chipper

*The Branch Buster*



360° output chute for precision control

Shear bolt PTO shaft for enhanced safety

Reversible cutting blades for longevity

Low maintenance

Direct drive blades

5" maximum branch diameter

W-WC





### Applications

- ▶ Smallholdings
- ▶ Estates
- ▶ Parklands
- ▶ Woodlands
- ▶ Gardens

### Specifications

Model No	W-WC
Max. chipping width	5 inches
HP range	14-48
Feed type	Manual
Weight	195kg
<b>RRP (exc VAT)</b>	<b>£1,479</b>
<b>RRP (inc VAT)</b>	<b>£1,774.80</b>



The Winton wood chipper is a versatile machine that makes the perfect addition to any smallholding, estate or parkland. It is useful for clearing woodlands of smaller branches and turning them into handy wood chips.

The heavy-duty and highly resilient steel frame makes this wood chipper incredibly robust, while the reversible blades will last twice as long.

# W-LS10H Hydraulic Log Splitter

*The Hydraulic Option*



Tractor-mounted for easy transport	Requires tractor hydraulics
Fits 3-point linkage of most compact tractors	Replaceable blade



## Applications

- ▶ Smallholdings
- ▶ Forestry
- ▶ Estates
- ▶ Landscaping

## Specifications

Model No	W-LS10H
Splitting force	10tn
Power	Hydraulic
Weight	78kg
<b>RRP (exc VAT)</b>	<b>£916</b>
<b>RRP (inc VAT)</b>	<b>£1,099.20</b>



This tractor-driven log splitter is ideal for smallholdings and estates. It can be used all year round for preparing logs ready for the winter and clearing woodland of large branches and trunks.

The log splitter is powered by the hydraulics of the tractor, so one double-acting spool (two outlets) is required to operate this attachment.

# W-LS10P PTO Log Splitter

*The PTO Option*



Tractor-mounted for easy transport	Powered by independent pump
Fits 3-point linkage of most compact tractors	Replaceable blade

## Applications

- ▶ Smallholdings
- ▶ Estates
- ▶ Forestry
- ▶ Landscaping

## Specifications

Model No	W-LS10P
Splitting force	10tn
Power	PTO
Weight	126kg
<b>RRP (exc VAT)</b>	<b>£1,710</b>
<b>RRP (inc VAT)</b>	<b>£2,052.00</b>



The Winton PTO log splitter does not need any hydraulic connection on the tractor as it runs from an independent hydraulic pump powered by the tractor's PTO. Despite its small size, it boasts a powerful splitting force of 10tn.

This log splitter is ideal for estate and forestry work, as it is easily transportable but still offers a low effort way of preparing logs.

# W-SW Snow Blade

*Swift Snow Clearance*



Front-mounted for easy use	Manually adjustable angle
Blade manufactured in one piece	Low maintenance



## Applications

- ▶ Tracks & driveways
- ▶ Estates & parks
- ▶ Beaches
- ▶ Yards

## Specifications

Model No	W-SW135
Working width	135cm
HP range	16+
Weight	103kg
<b>RRP (exc VAT)</b>	<b>£1,880</b>
<b>RRP (inc VAT)</b>	<b>£2,256.00</b>



The Winton snow blade is a great implement for clearing snow from yards and tracks in the winter, but can also be used throughout the year to clear debris, sand and slurry. The blade can be angled for even greater versatility.

The blade head can be lifted using the hydraulics of the tractor so this attachment requires a single-acting hydraulic spool. Supplied with a blank attaching plate for adjustment to fit individual tractors.



# W-BT Water Bowser Trailer

*The Water Warrior*



50mm swivel ball hitch	Food grade 1,000L IBC tank available
Excellent stability on most terrains	Trailer fits most 1x1.2m IBCs

## Applications

- ▶ Gardens
- ▶ Estates
- ▶ Livestock care
- ▶ Animal attractions

## Specifications

Model No	W-BT
Max. capacity	1,000L
HP range	14-40
Weight	154kg
<b>RRP (exc VAT)</b>	<b>£894</b>
<b>RRP (inc VAT)</b>	<b>£1,072.80</b>
<b>W-IBC Tank (exc VAT)</b>	<b>£152</b>
<i>(inc VAT)</i>	<b>£182.40</b>

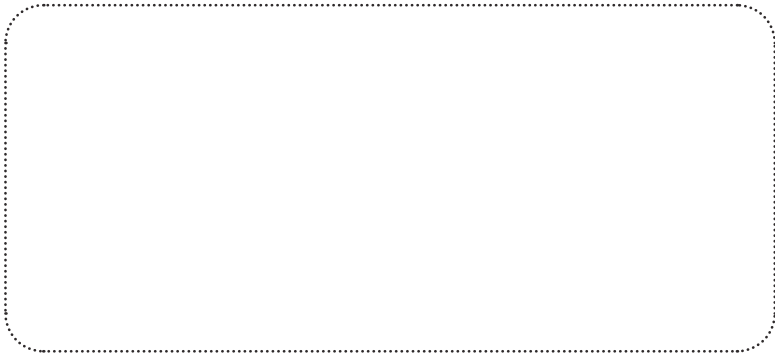


The Winton bowser trailer is ideal for transporting the optional IBC tank around a smallholding, particularly in the high heat of summer. With 1,000L capacity, the bowser can bring plenty of water to thirsty plants or animals.

This attachment is very low maintenance, as it has few moving parts and is so simple to use. It does not require a tractor, thanks to its ball hitch.



Local Stockist:



**FARM TECH SUPPLIES**  
TRACTOR ATTACHMENTS



**William Hackett**



Prices exclude delivery.