

# ECLIPSE

## SOLAR POWERED AREA LIGHT

### Eclipse Solar Powered Area Light 36W

Stock No. SAL36



Our new eco rechargeable solar powered light range provides up to 2000 lumens, with a built-in 360° PIR sensor and self-adjusting light movement sensor.

Ideal for temporary event lighting, construction sites, walkways and parking, remote area lighting and environmentally conscious area lighting.

- 2000 lumens
- Up to 20hr runtime
- Chargetime: 9hr
- 360° PIR sensor
- Li-ion rechargeable
- IPX5 Weatherproof
- 4m install height
- 25m beam distance

**£199.95** LIST PRICE

### Solar Boost Panel

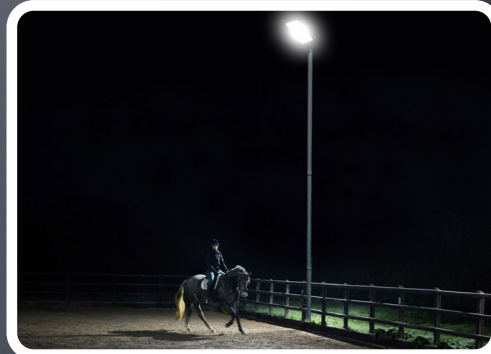
Stock No. SBP

Providing additional lighting in the winter months or in areas that don't get a lot of direct sunlight to charge the Eclipse Area Light.

- Increases runtime by up to 10 hours\*
- Can be mounted back to back with Eclipse, or separately

\*Runtime is doubled up to 20hours on low mode at 20% power or 14hours with 20triggers at full power

**£119.95** LIST PRICE

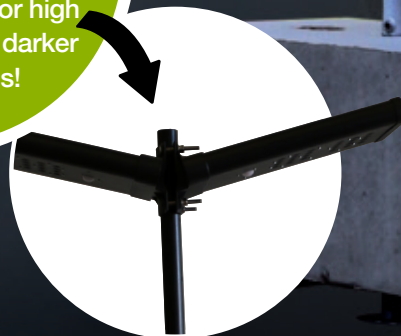


**2**  
YEAR  
WARRANTY



### BOOST YOUR ECLIPSE!

Increase your runtime by 10 hours with the Eclipse Solar Booster. Perfect for high traffic areas & the darker winter months!



**TRADE TUFF**  
eco

0800 292 2188

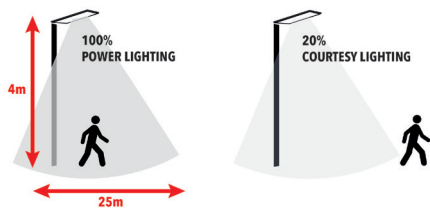
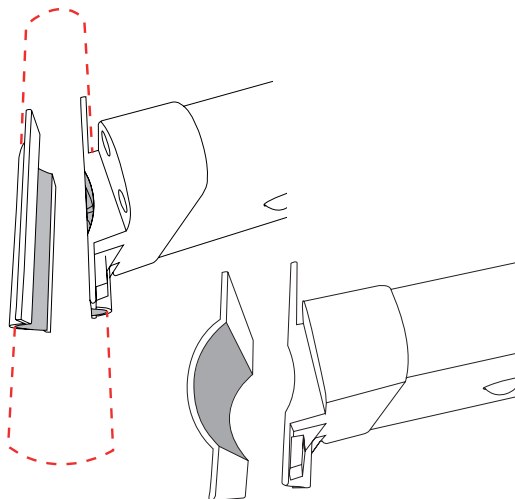
www.tradesurvey.co.uk

sales@tradesurvey.co.uk

# ECLIPSE

## 36W Solar Powered Area Light

Stock No. SAL36



	100% - 30% Battery Power	> 30% Battery Power
<b>Full Light (PIR)</b> 2000 Lumens	YES	YES
<b>Courtesy Light</b> 400 Lumens	YES	NO

### TECHNICAL DATA

LUMEN:	2000
MATERIAL:	Powder coated aluminium
RUNTIMES:	11hrs (9hr charge/singlepanel/NO triggers) 20hrs (9hr charge/singlepanel/NO triggers with Booster)
BATTERY POWER:	7.4V 4400mAh Solar Panel 32.5Wh Battery
CHARGE TIME:	9hrs
PIR SENSOR:	5m at 360°
WEATHERPROOF:	IPX5 rated weatherproof
PCB PROTECTION:	Charging, discharging and high temperature protection
WEIGHT:	2kg
SIZE:	42.5 x 21 x 4.5cm
WARRANTY:	2 Years

