



TRAILED AND STATIONARY

Mixer feeders





INNOVATION
PERFORMANCE
PEOPLE

Satisfy your needs is our mission



Giuseppe Sgariboldi

Paolo Sgariboldi

Luca Sgariboldi

Ornella Sgariboldi

CONTENTS

PROFILE	04
CUSTOM MADE	06
TRAILED	
MONOFEEDER	06
MONOFEEDER ST	12
MONOFEEDER DF	14
VS2	16
POWER-SHIFT	20
KODIAK	22
HIGUMA	24
KOALA CART	26
STATIONARY	28
ACCESSORIES	30
SERVICE	32



OVER 50 YEARS OF EXPERIENCE

Founded in 1959, Sgariboldi has been manufacturing diet feeders since 1969. In 1987, constantly driven by innovation, it became the first company in Europe to come up with a self-propelled machine that mechanises the entire animal feed mixing and distribution cycle on its own, the Combitre.

Today, Sgariboldi designs and manufactures technologically-advanced diet feeders, which are highly regarded and utilised all around the world.

3 Exclusive Mixing Systems

The company's expertise is derived from the experience that it has gained in various work situations, thus allowing it to offer the most effective solutions designed for the farmer's specific needs.



As a workshop specialised in farm machinery repair, Sgariboldi began manufacturing a hay making machine (first patent).



Sgariboldi, at the top of the sector in Europe, introduced Combitre, one of first self-propelled feeder in the world which mechanised the complete zootechnical feeding cycle by itself. Combitre earned a technical innovation award at the Eima exhibition in Bologna.



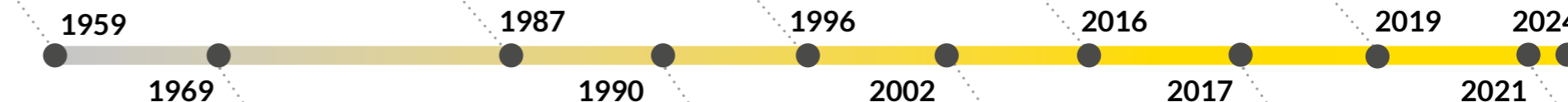
Sgariboldi multiplied its production potential, and opened a new location in Codogno, with a total area of 15,000 m² (161,500 ft²).



Sgariboldi launched Intellitechnology, an innovative system that automatically regulates each phase of the mixing cycle.



Pursuing even greater production efficiency objectives, Sgariboldi added a new work area to the existing structures, reaching a total corporate extension of 22,841 m² (246,000 ft²).



1959
1969

Sgariboldi was one of the first in the world to being manufacturing diet-feeders. There was immediate and unanimous interest in the new feeding technique.

1987
1990

The company came up with the revolutionary concept of the Monofeeder, a patented twin flow mixing system with a single horizontal auger.

1996
2002

With the aim of processing each raw material based on its specific nature, the company introduced the Gulliver, a highly innovative machine and winner of numerous international awards.

2016
2017

The company introduced the 6000 Series, which consists of compact, manageable and high-performance machines of the latest generation.

2019
2021
2024

Sgariboldi introduces TITANIUM SERIES, a revolutionary ultralight self-propelled machine, capable of extraordinary load capacity, thanks to the use of use of special steels, without the added weight and expanse of an extra tandem axles.





CUSTOM MADE MACHINES MADE UPON REQUEST

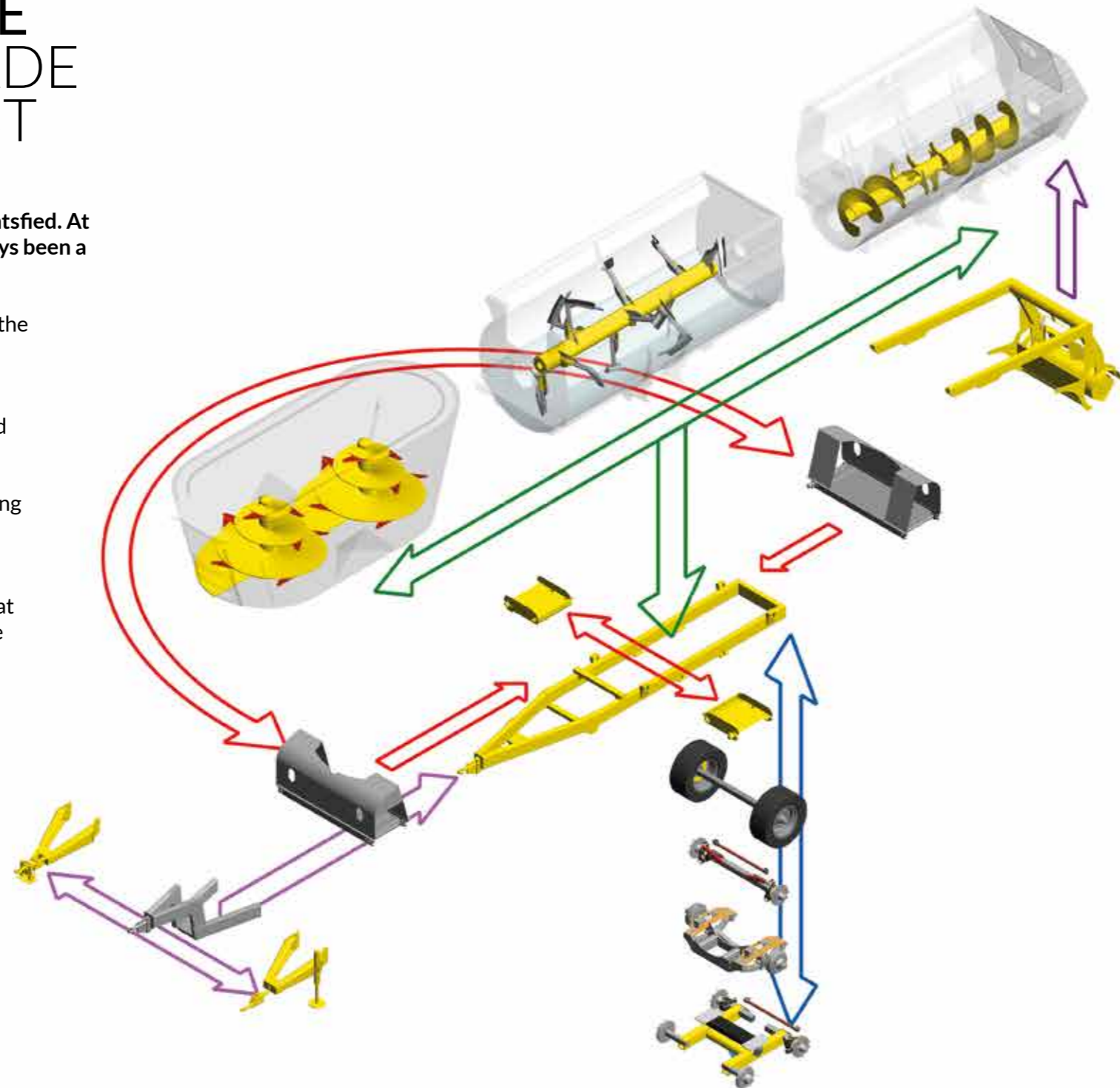
We get excited when our customers are satisfied. At Sgariboldi, customer satisfaction has always been a vital goal.

We value quality and the details that make the difference

Any specific needs, even the most difficult to achieve, are taken up by our qualified and experienced technical staff, who diligently work to come up with projects that are capable of meeting even the most challenging requirements.

Sgariboldi Special Operation is the highest custom made manufacturing expression that ensures a dedicated design, perfectly in line with the customer desires. The goal is to provide unique, and totally personalised solutions.

 Custom built machines



What is now proved was once only imagined

(William Blake)

Sgariboldi Precision Farming

- Constant and controlled rations managed at 360°
- Guaranteed animal wellness
- Increase productivity thanks to the management of the rations
- Data accessible at any time and from any type of device: PCs, Smartphones or Tablets
- Possibility of outfitting the machine with sensors of the latest generation in order to monitor the mixture starting with the loading phase (NIR)
- Constant and continuous development of new technologies in collaboration with major research institutes, with the aim of obtaining the ideal mixture based on the operator's specific needs



AN INDIVIDUAL MEAL, DIRECTLY IN THE TROUGH



MONOFEEDE[®]

HORIZONTAL TECHNOLOGY

An advanced cutting-mixing system with a single large horizontal auger that guarantees maximum operational reliability and machine sizes among the most compact on the market.



Stainless steel covers

STAINLESS STEEL inside



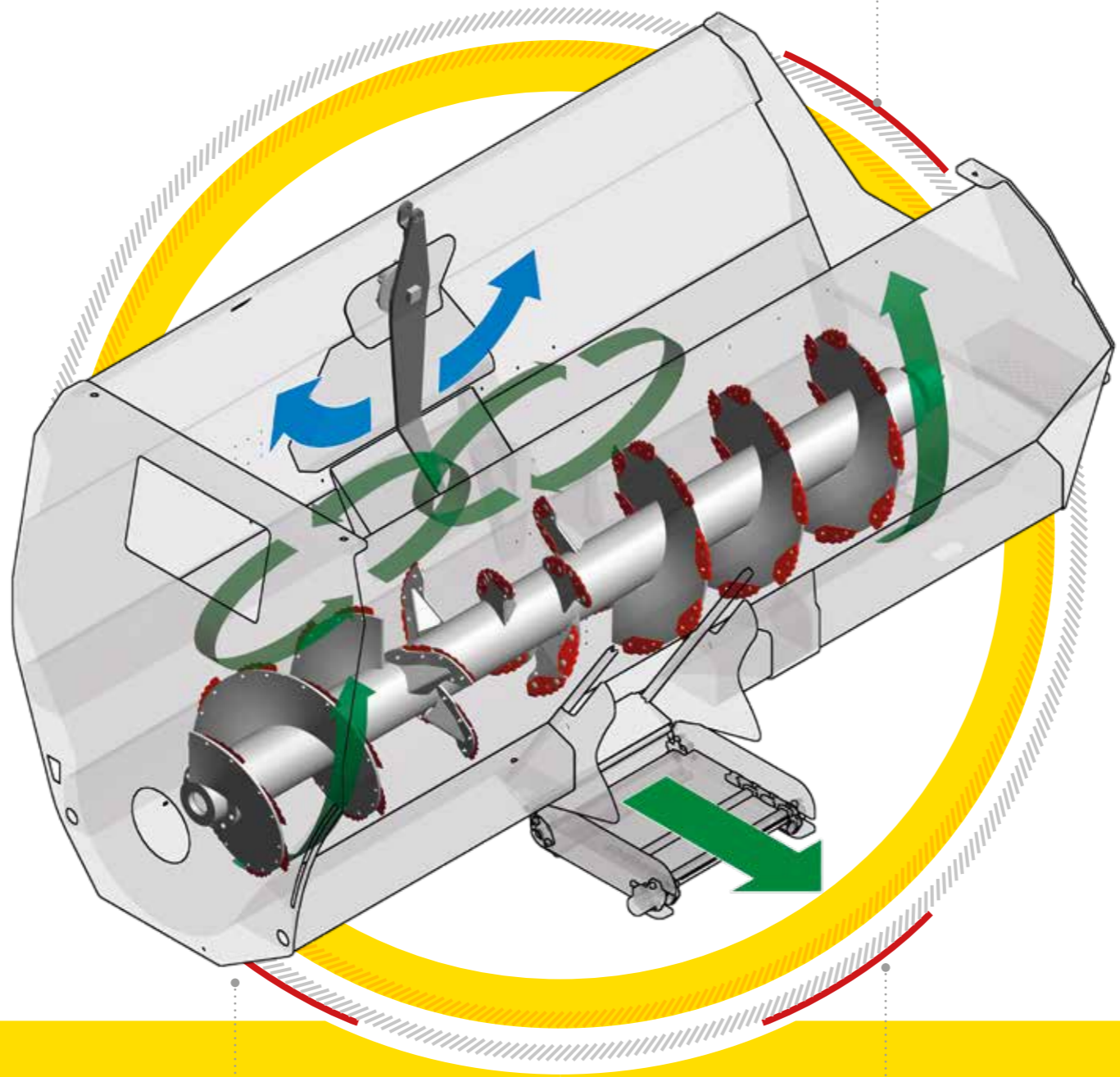
MONOFEEDER[®] HORIZONTAL TECHNOLOGY

Twin Flow: an original patented system

A double flow to speed-up work.

The auger, with its counterposed spirals, forces a dynamic twin flow upon the materials, from the front and rear part of the machine towards the centre of the mixing tank.

- The SG version (optional), the best for mixing without cutting, is able to perfectly homogenise the pre-cut products
- The RC version (optional), a patented baling kit, is capable of splitting apart bales of all sizes, diameter and compactness, though still preserving the product's structure



With loading system

Loading drum
The design and the shape of the drum, the position and the layout of the knives, combined with the very high power, make possible a perfect loading of any product. This allow to maintain a smooth and uniform pile face, thus preventing the mouldying as well.

Protection shield
The rear shield, which makes possible to always keep the auger rotating, is a panel that rises itself with the progressive lifting of the loading arms, thus making impossible any accidental contact with the mixing auger.



The advantages of the deflector

Reduces mixing time
Allows effective material flow, called "Twin Flow"

Bolted counter knives
with an especially designed arrangement according to the various types of ingredients.

Uniform and precise discharging
of the ration

Rear shield
The duly shaped hydraulic shield makes it possible to collect the products down to the bottom and obtain a perfect cleaning of the ground.



MONOFEEDEE® ST

Thirty years of history



MONOFEEDEE® ST

		MONO 7 ST	MONO 11 ST	MONO 14 ST	MONO 17 ST	MONO 17 ST PLUS	MONO 20 ST PLUS	MONO 22 ST PLUS	MONO 26 ST PLUS
Capacity	m ³	7	11	14	17	17	20	22	26
Length	mm	5600	6200	6400	6700	6700	6900	7300	7300
Width	mm	1900	2000	2300	2300	2300	2550	2550	2750
Height	mm	2200	2450	2650	2750	2750	2950	2950	3300
Height of lowered versions	mm	Upon request	Upon request	Upon request	Upon request	Upon request	Upon request	Upon request	Upon request
External track	mm	1700	1850	2200	2200	2200	2450	2450	2700
Wheels		10.0/75-15.3	285/70-19.5	15-22.5	15-22.5	15-22.5	15-22.5	15-22.5	18-22.5
Auger diameter	mm	670	770	870	870	960	1060	1060	1160
Discharge width	mm	800	800	800	800	1000	1000	1000	1000
Power requirement	HP	50	60	80	90	90	100	110	120
Weight	Kg	2400	3100	4000	4500	4500	5300	6000	8000



SIMPLE AND RELIABLE

- Available from 7 to 26 m³
- Maximum cutting efficiency even with a 30% filled tank
- Ideal for manoeuvring even in the most narrow space
- Also available in a stationary version with an electric motor



MONOFEEDEER® DF

With loading system



MONOFEEDEER® DF

		MONO 7 DF	MONO 11 DF	MONO 14 DF	MONO 17 DF	MONO 17 DF PLUS	MONO 20 DF PLUS	MONO 22 DF PLUS
Capacity	m³	7	11	14	17	17	20	22
Length	mm	6400	7000	7200	7500	7500	7700	8200
Width	mm	1950	2050	2350	2350	2350	2600	2600
Height	mm	2200	2450	2650	2750	2750	2950	2950
Height of lowered versions	mm	Upon request	Upon request	Upon request	Upon request	Upon request	Upon request	Upon request
External track	mm	1700	1850	2200	2200	2200	2450	2450
Wheels		10.0/75-15.3	285/70-19.5	15-22.5	15-22.5	15-22.5	15-22.5	15-22.5
Auger diameter	mm	670	770	870	870	960	1060	1060
Discharge width	mm	800	800	800	800	1000	1000	1000
Power requirement	HP	60	80	90	100	100	110	120
Weight	Kg	3300	4100	5000	5500	5500	6500	7000



VERSATILE AND EFFICIENT

- Available from 7 to 22 m³
- Maximum cutting efficiency even with a 30% filled tank
- Loading drum suitable of loading any type of product
- A single auger with opposing screws and special blades

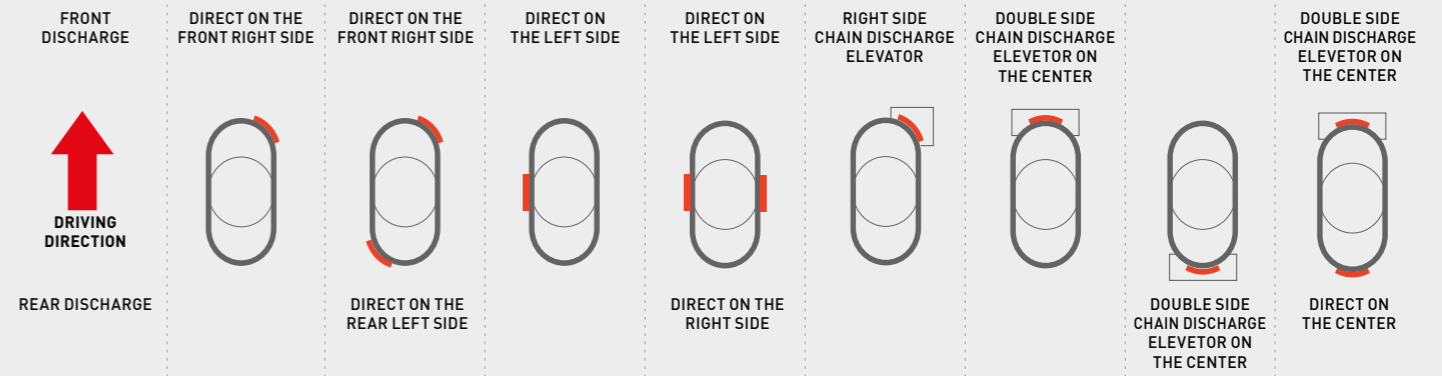
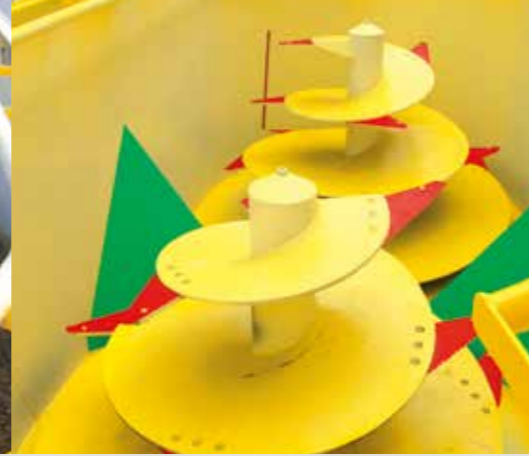


VS.2[®]

VERTICAL TECHNOLOGY

Over the years Sgariboldi has reached the highest level in the vertical mixing, enhanced by versatile, functional and reliable machines to suit every farmer need.





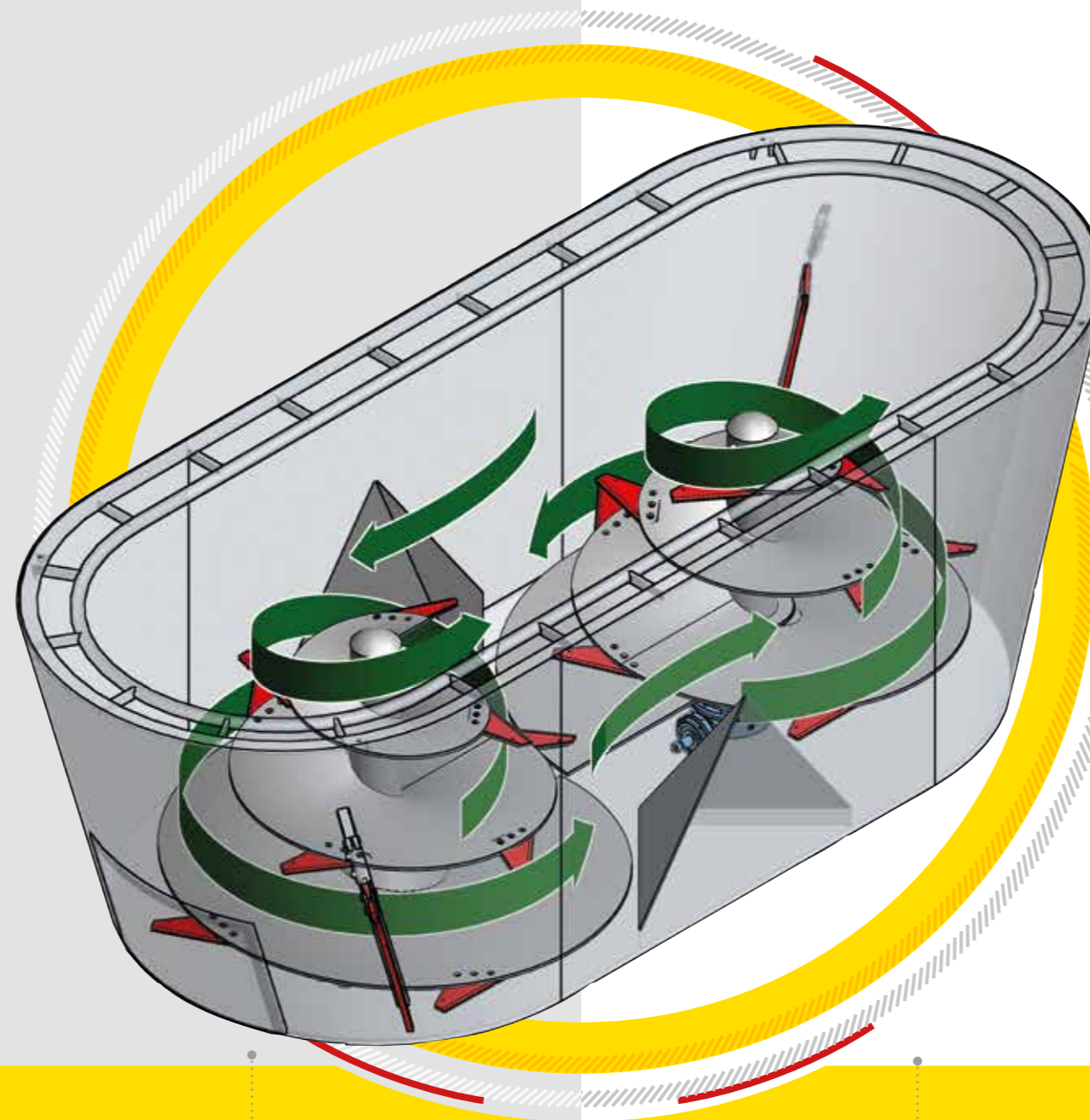
VS2 VERTICAL TECHNOLOGY

Sgariboldi develops compact vertical diet feeders with exceptional design and maintenance features, which are ideal for breaking down and rapidly cutting bales of fodder of any size, shape, and weight, and are **suitable for any work requirements**.

Mixing tank: strength and functionality

The mixing tank shape, which is extremely strong, conditions the flow of materials in order to quickly obtain the best mix, by also preserving the structure of the loaded ingredients.

Auger and knives designed for the best chopping action



Versatility, efficiency and reliability

Careful design and top quality components provide the best performance. Fast working times, reduced power absorption and remarkable energetic savings are featured on one of the most flexible and sought-after machines on the market.



The conical auger, together with special knives, allows:

- The cut of long fibre products
- The swift flaking off of any bales
- Reduced working times by avoiding overheating in the mix
- The retention of an excellent fodder value and excellent ration softness

Counter-knives in the mixing tank: **they ensure clean cut of fibrous products**

Uniform and **precise** ration discharge

STAINLESS STEEL *inside*

Optional **STAINLESS STEEL** covers and **SPECIAL STEEL SET**



ISOLINK
 ISOBUS interface
 for weighing system
 and machine controls



BIG FARMS INNOVATIONS TRAINATI XL

The maxi trailed mixer wagons, developed to facilitate the evolution of large livestock farms into increasingly larger and more complex realities, allow the management of growingly heavier mixes thanks to extra-large cubic capacities and innovative solutions.

Very large cubic capacities, identical mixing quality.

- Available up to 48 m³
- 3 augers
- 3 axles



New **POWERSHIFT** gearbox

The Powershift gearbox for augers, available as an option to replace the traditional two-speed gearbox, guarantees lower power absorption and very high levels of efficiency.

- 3 operating speeds
- Gear shift under load
- Lower power required
- Fuel consumption reduced by 30%
- Extraordinary process speed
- Advanced implementation of gear shift management



POWER SHIFT³





KODIAK®

Ideal for large farms



KODIAK®

		ONE AUGER						
		KODIAK 10/1	KODIAK 12/1	KODIAK 14/1	KODIAK 16/1	KODIAK 18/1	KODIAK 20/1	KODIAK 22/1
Capacity	m³	10	12	14	16	18	20	22
Quantity of augers		1	1	1	1	1	1	1
Length	mm	5500	5650	5650	5650	6150	6150	6150
Width max.	mm	2350	2500	2500	2500	2800	2800	2800
Height	mm	2700	2850	3050	3200	3000	3200	3400
Wheel track	mm	1550	1700	1700	1700	2000	2000	2000
Quantity of axles		1	1	1	1	1	1	1
Quantity of wheels		2	2	2	4	4	4	4
Wheels size		245/70-17.5	245/70-17.5	245/70-17.5	215/75-17.5	215/75-17.5	215/75-17.5	215/75-17.5
Required power	HP	60	70	80	90	100	110	120
PTO revs	rpm	540	540	540	540	540	540	540
Weight	kg	4000	4700	5400	5700	6200	6400	6700

		TWO AUGERS					
		KODIAK 16/2	KODIAK 20/2	KODIAK 25/2	KODIAK 30/2	KODIAK 30/2	KODIAK 40/2
Capacity	m³	16	20	25	30	35	40
Quantity of augers		2	2	2	2	2	2
Length	mm	7300	7600	8000	8100	8200	8800
Width max.	mm	2100	2350	2500	2500	2500	2800
Height	mm	2650	2650	2850	3100	3400	3450
Wheel track	mm	1550	1600	1700	1700	1700	2000
Quantity of axles		1	1	2	2	2	2
Quantity of wheels		4	4	8	8	8	8
Wheels size		215/75-17.5	215/75-17.5	215/75-17.5	215/75-17.5	215/75-17.5	215/75-17.5
Required power	HP	80	110	130	150	150	180
PTO revs	rpm	540	540	540	540	540	540
Weight	kg	6600	7000	9500	10000	10500	12000

		THREE AUGERS		
		KODIAK 40/3	KODIAK 45/3	KODIAK 48/3
Capacity	m³	40	45	48
Number of augers		3	3	3
Length	mm	11200	11500	12000
Width	mm	2500	2500	2500
Height	mm	3000	3400	3600
Wheel track	mm	2450	2450	2450
Number of axles		2	TRIDEM	TRIDEM
Number of fixed axles		1	1	1
Number of steering axles		1	2	2
Pneumatic brakes and springs		Optional - O09	Standard	Standard
Wheels size		215/75-17.5	385/55-19.5	385/55-19.5
Number of wheels		8 twins	6 single wheels	6 single wheels
Number of load cells		6	6	6
Required power	HP	180	200	220
PTO revs	rpm	540	540	540
Weight	Kg	13500	15000	16000

STRONG AND COMPACT

- Available from 10 to 48 m³
- Top of the range trailed mixer wagons
- Extreme reliability and maximum cutting efficiency
- Excellent mixing in the shortest possible time
- Also available in a stationary version powered by an electric motor



HIGUMA®

Ideal for small and medium farms



HIGUMA®

ONE AUGER

		HIGUMA 8 / 1 - A	HIGUMA 10 / 1 - A	HIGUMA 12 / 1 - A	HIGUMA 14 / 1 - A
Capacity	m ³	8	10	12	14
Quantity of augers		1	1	1	1
Length	mm	4300	4500	4700	4800
Width tank	mm	2100	2200	2350	2350
Height	mm	2650	2750	2850	3100
Wheels size		245/70-17.5	245/70-17.5	245/70-17.5	245/70-17.5
Quantity of axles		1	1	1	1
Quantity of wheels		2	2	2	2
Required power	HP	60	70	80	100
PTO revs	rpm	540	540	540	540
Weight	Kg	3000	3100	3500	3600

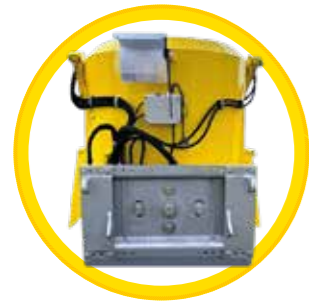
TWO AUGERS

		HIGUMA 14 / 2 - A	HIGUMA 16 / 2 - A	HIGUMA 18 / 2 - A	HIGUMA 20 / 2 - A
Capacity	m ³	14	16	18	20
Quantity of augers		2	2	2	2
Length	mm	7100	7200	7300	7600
Width tank	mm	2100	2100	2100	2200
Height	mm	2450	2650	2850	2800
Wheels size		245/70-17.5	215/75-17.5	215/75-17.5	215/75-17.5
Quantity of axles		1	1	1	1
Quantity of wheels		2	4	4	4
Required power	HP	80	90	100	120
PTO revs	rpm	540	540	540	540
Weight	Kg	5500	6000	6400	7000



COMPACT AND MANAGEABLE

- Available from 8 to 20 m³
- The effectiveness of vertical technology with an excellent quality/price ratio
- Designed for containerization
- Also available in a stationary version with an electric motor



KOALA CART®

Ideal for small farms



KOALA® MD/S

		KOALA 2,5 MD / S	KOALA 4,5 MD / S	KOALA 2,5 CART
		ONE AUGER	TWO AUGER	ONE AUGER
Capacity	m³	2.5	4.5	2.5
Number of augers		1	2	1
Length	mm	3400	5500	2500
Width	mm	1550	1550	1450
Height	mm	1850	1850	1550
Diesel Yanmar engine Stage V	kW/HP	18 / 24	N.A.	-
Diesel Yanmar engine Stage V	km/h	N.A.	35 / 48	-
Driving speeds	Kg	0 - 6	0 - 6	-
Weight	Kg	1300	1900	1100



PERFECT OPERATIONAL SYNERGY

- Available in 2.5 m³ version
- To be used in combination with small front loaders
- Front plate connectable to different loaders
- Provision for direct left and right loading



STATIONARY Mixer Wagons

All trailed mixer wagons are available in a stationary version with an electric motor.

- Available in all mixing technologies
- Available in all the cubic capacities of the respective trailed mixer wagons
- Also available in a configuration for biogas and biomethane plants
- Maximum customization possibilities



3 EXCLUSIVE MIXING TECHNOLOGIES
 Complete customization
 Wide range of cubic capacities available



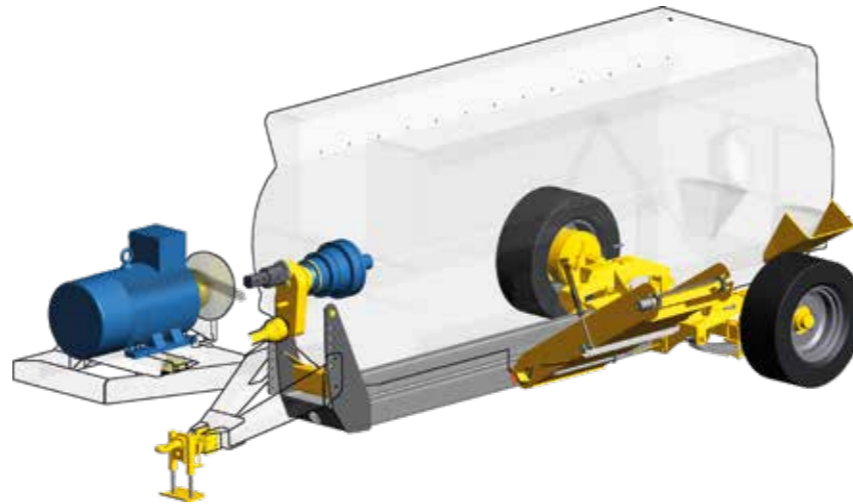
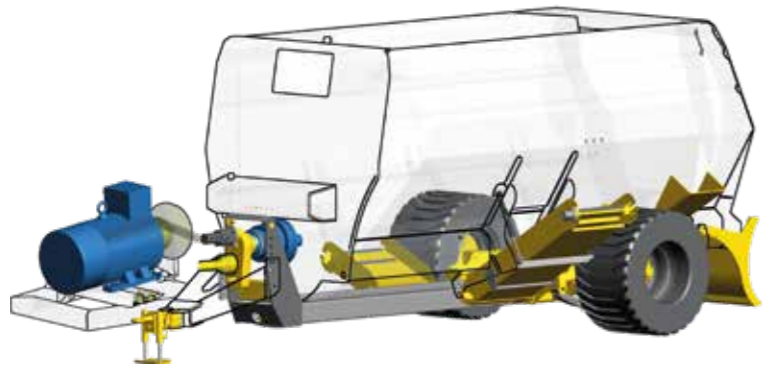
GENERAL ACCESSORIES

01 Available with electric motor

02 Homologated version for road use

03 Different types of discharge elevator magnet

04 Different types of hopper



05

Different types of weighing system

06

Electric controls

07

Completely customizable discharge elevator

08

Pneumatic brakes

09

Three-speed Powershift gearbox

10

Different axle solutions





COMPETENCE AT **CUSTOMER'S** SERVICE

A constant commitment to providing reliable machines and high-quality service.



SPARE PARTS

A large warehouse provides original spare parts that meet the highest customers needs.



AFTER SALE SUPPORT

Sgariboldi guarantees after-sale support with its qualified and multi-language staff.



TRAINED TECHNICAL PERSONNEL

Internal and external technical staff is constantly trained by the headquarter, in order to guarantee prompt and effective technical support service.

ENG



WORLDWIDE PRESENCE

Sgariboldi's solutions can be found in every country worldwide, where the farmers' needs and the quality of the products are often different, or even unique. The experience and specific skills that Sgariboldi has gained over the years have led it to invest more heavily in the global market. While our work constantly leads us into new areas, the company's values, which are rooted in the continuous pursuit of excellence, have always remained the same.



+39 0377 430 405

sgariboldi.it

info@sgariboldi.it

[Sgariboldi](https://www.facebook.com/Sgariboldi)

[SgariboldiOfficial](https://www.youtube.com/SgariboldiOfficial)

marketing@sgariboldi.it

[sgariboldi.official](https://www.instagram.com/sgariboldi.official)

[SGARIBOLDI Srl](https://www.linkedin.com/company/SGARIBOLDI-Srl)

