

800 SERIES



SUPERIOR HANDLING.
EXCEPTIONAL PERFORMANCE.







CONTENTS

> YOKES	3 - 4
> SQUEEZE BODY	5 - 6
> FULL ACCESS BODY	7 - 8
> M800 SQUEEZE	9 - 10
> M800 FULL ACCESS	11 - 12
> A800 SQUEEZE	13 - 14
> A800 FULL ACCESS	15 - 16
> OPTIONAL EXTRAS	17 - 20
> PRODUCT SPECIFICATIONS	21 - 22



SCAN FOR
PRICE LIST

800 SERIES MANUAL SQUEEZE YOKE

Where it stops it locks. Decades of experience have resulted in what we believe to be the perfect yoke. The spring balanced mechanism is operated with minimal effort, meaning reduced handler fatigue and significant efficiency gains. Unlike traditional yoke designs the friction lock scissor yoke does not require width pre-setting and will catch and hold cattle with a neck width anywhere between 100mm and 760mm, which means that whatever cattle you have in the race you can be confident that you'll catch them.

The bespoke molded yoke baffles safely guide cattle, reduce leg and head traps and in combination with our unique Acoustic Dampening Points (ADP) help to provide a quiet, low stress environment for you and your herd.

For ultimate flexibility, the yoke can be operated anywhere along the length of the crush, which is supplied as a right-hand unit but can be converted to left hand operation quickly and easily.

KEY FEATURES:

- > Ergonomic lever operation anywhere along the length of the crush
- > Where it stops it locks; releasing the operating lever locks the yoke
- > No pre-setting required; cattle of all size can easily be handled
- > Lightweight yet tough polymer baffles are easily accelerated to ensure fast yoking and a safe environment for cattle and handlers
- > Operation can easily be changed from right to left hand to suit on site requirements
- > Solid pivot points and heavy-duty construction for longevity and stopping power
- > Optional front gate for horned animals



800 SERIES AUTOMATIC SQUEEZE YOKE

We have revolutionised the self-locking yoke with our patented one touch reset system. Including permanently synchronized doors, the fully baffled yoke is guaranteed to ensure effective capture even when the load distribution is uneven.

The yoke has seven pre-set widths allowing for a large range of cattle sizes to be catered for and can be set up left or right hand. Acoustic Dampening Points (ADP) integrated into the mechanism significantly help to dampen vibrations and reduce noise.

KEY FEATURES:

- > Patented one touch yoke reset allows all operations to be carried out intuitively with one handle
- > Unique gear synchronized yoke doors ensure effective locking even with uneven cattle load distribution
- > Full length baffled yoke features full length straight bars to reduce the risk of choking if an animal goes down and eradicate leg traps
- > Integral ADPs to reduce noise
- > 7 Width settings from 100mm to 240mm to suit a wide range of cattle



800 SERIES SQUEEZE BODY

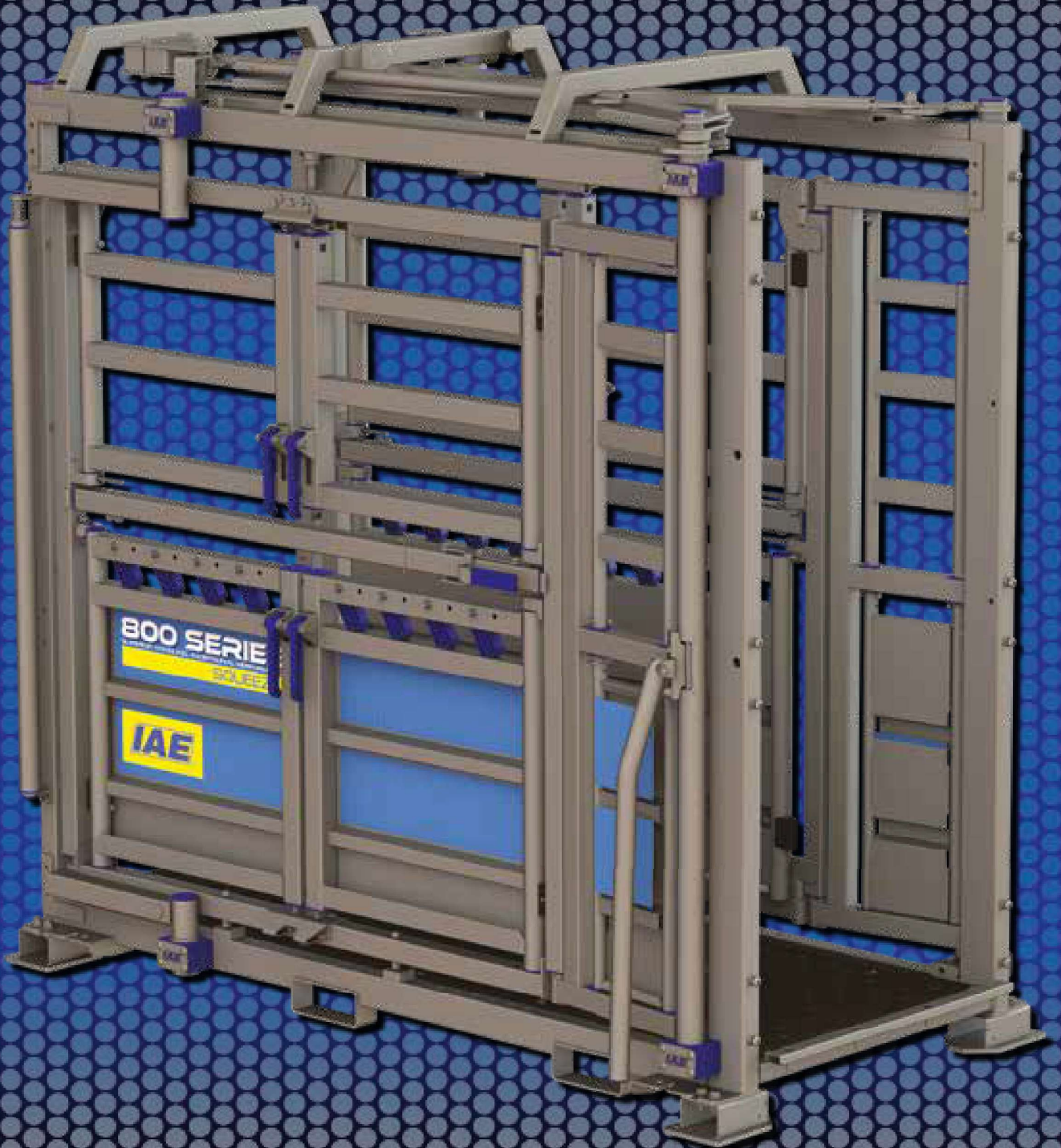
Compatible with both of our premium 800 Series Yokes the Squeeze Body is the pinnacle of IAE crush body design; containing 77 Acoustic Dampening Points (ADP) it's the quietest body IAE have ever produced. The ergonomic, lever operated manual squeeze mechanism has an operating range between 285mm and 760mm, designed to calmly and safely restrain cattle. The friction break immediately locks the width of the body when the operating lever is released regardless of inward or outward movement. TB access doors are fitted as standard to both sides of the body and fully baffled yoke doors help to reduce the animals peripheral vision when in the working zone, making vet treatments safer for both handler and cattle.

The sleek squeeze mechanism means that you'll still get great access to the animals flanks, with 4 fully opening quarter doors and a removable quick release cross bar. A 10mm thick, deep profile rubber floor gives excellent grip, even in wet conditions to give cattle stability, confidence and reduce noise.

KEY FEATURES:

- > Ergonomic squeeze to safely restrain a range of cattle sizes
- > Where it stops it locks squeeze technology
- > 77 ADPs to give a quiet, calm handling experience for handler and cattle
- > 10mm thick, deep profile floor
- > TB Access doors
- > Ratchet backing up bar
- > Full access doors
- > Integrated lifting and load bar points as standard
- > Compatible with sliding gate or extension
- > Compatible with foot trimming kit





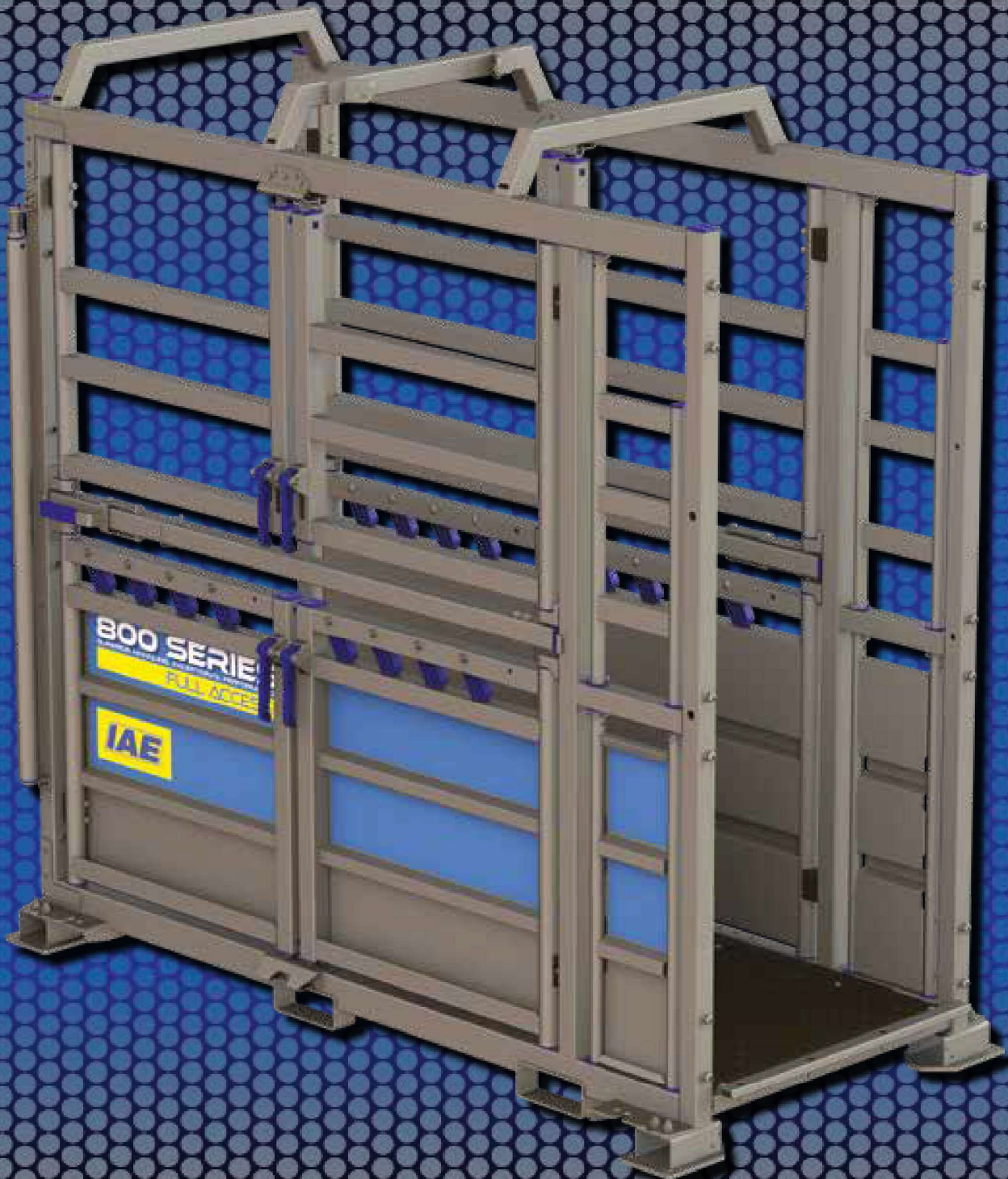
800 SERIES FULL ACCESS BODY

Compatible with both of our premium 800 Series Yokes the Full Access Body takes Suckler bodies to the next level. Where access is paramount and a squeeze mechanism is not required it is ideal for suckling calves, weighing, TB testing and a range of general procedures. Containing 68 Acoustic Dampening Points (ADP) for serious noise reduction, the full access design has four access doors per side and a quick release cross bar for handler safety. The body has been widened to 760mm and the internal height has been increased to over 1900mm giving space for the largest of cattle. TB access doors are fitted as standard to both sides of the body and fully baffled yoke doors help to reduce the animal's peripheral vision when in the working zone, making vet treatments safer for both handler and cattle. A 10mm thick, deep profile rubber floor gives excellent grip, even in wet conditions to give cattle stability, confidence and reduce noise.

KEY FEATURES:

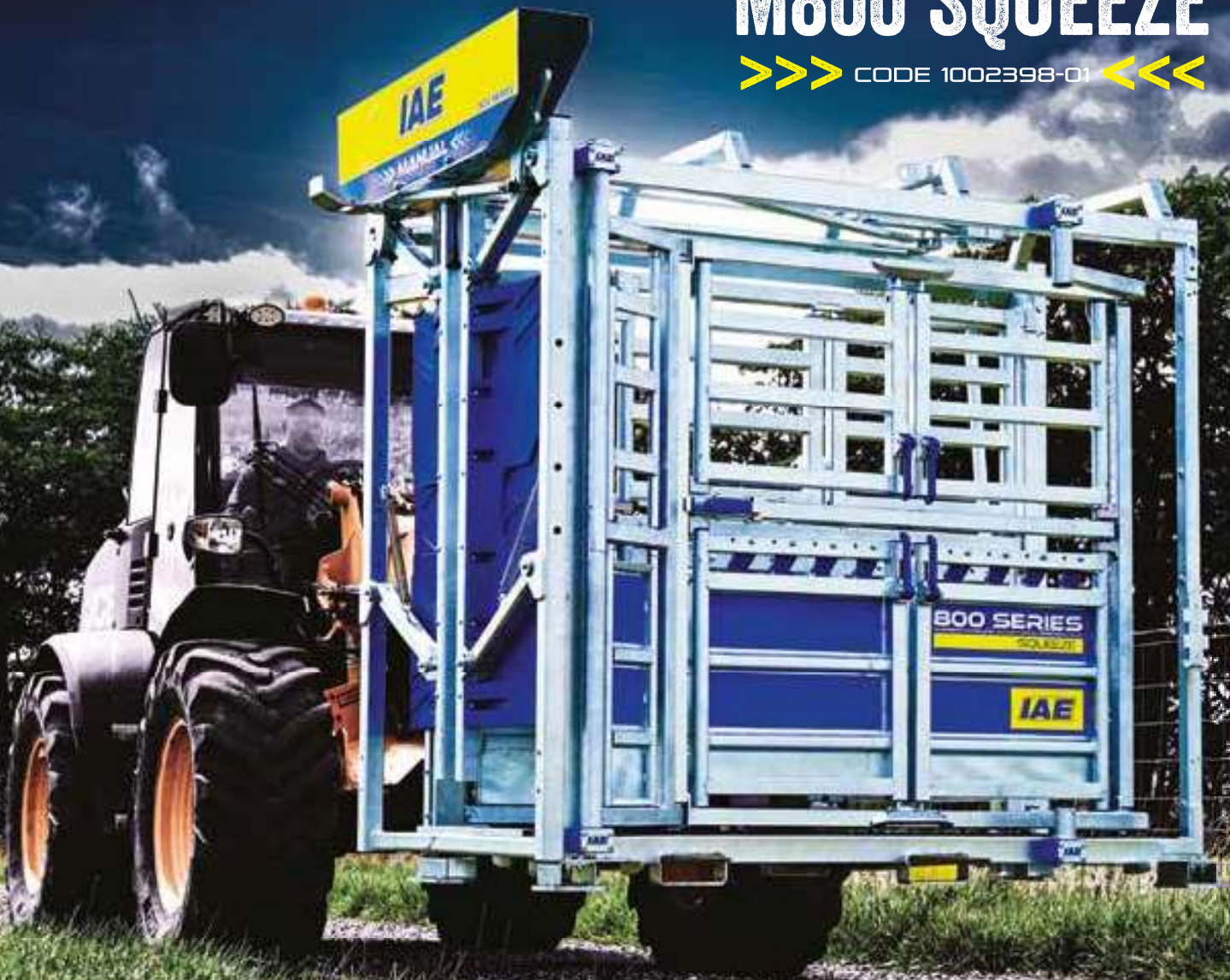
- Superior access to the cattle's flanks
- 68 ADPs to give a quiet, calm handling experience for handler and cattle
- 10mm thick, deep profile floor
- TB Access doors
- Ratchet backing up bar
- Full access doors
- Integrated lifting and load bar points as standard
- Compatible with sliding gate or extension
- Compatible with foot trimming kit



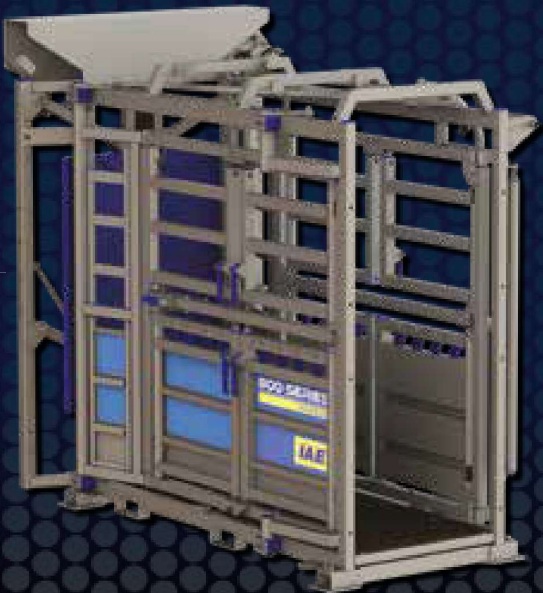


M800 SQUEEZE

>>> CODE 1002398-01 <<<



Featuring 84 Acoustic Dampening Points (ADP) the M800 Squeeze is the quietest, most feature packed crush IAE has ever produced. The marriage of the Manual yoke and the 800 Series Squeeze body provides a great platform for a wide range of cattle breeds and sizes.





Where a squeeze body is not required the M800 Full Access provides a heavy duty facility with unbeatable access. Supplied with the Manual yoke and the 800 Series Full Access body, there are over 75 Acoustic Dampening Points (ADP) to ensure a quiet, safe and efficient handling experience.



M800 FULL ACCESS

>>> CODE 1002396-01 <<<



The M800 is pictured here with the optional cage front.

A800 SQUEEZE

>>> CODE 1002395-01 <<<<



The A800 squeeze combines our revolutionary Automatic yoke with the 800 Series Squeeze body. A combination of 81 Acoustic Dampening Points (ADP) ensures a quiet, secure environment that outperforms many of the self-locking crushes in the marketplace.





Where the need for access outweighs a squeeze requirement the A800 Full Access gives an incredibly robust, self-locking crush with excellent access to all areas of the cattle's body. 72 Acoustic Dampening Points (ADP) ensure a calm and quiet working environment, helping you to improve your throughput and complete routine handling tasks quicker.



A800 FULL ACCESS



➤➤➤ CODE 1002397-01 <<<<

OPTIONAL EXTRAS

CATTLE CRUSH EXTENSION

>>> CODE 1002145-01 <<<

The easy fit, bolt on crush extension provides an extra 980mm of length, featuring a sliding rear gate to safely stop cattle in the race. Split side gates will lock in behind the animal, meaning the extension provides a safe working environment for a range of treatments and procedures. Now also compatible with the optional foot trim kit.



REAR SLIDING GATE

>>> CODE 1001686-01 <<<

A fast, easy action sliding gate that can be bolted directly to the rear of the crush. Suspended from nylon rollers, the gate is light to operate and a very positive, safe way of controlling cattle flow. Can be operated from either side of the crush and is now compatible with our optional foot trim kit.



MK 4.5 SUPERSCOOP®

>>> CODE F045 2200 30 <<<

The Superscoop® 4.5 is an essential addition to any cattle crush as it stabilises and restricts the side to side movement of the animals head, making tasks such as bolus delivery and ear tagging effortless. The Superscoop® also offers increased safety for both the animal and the operator, which is paramount. Our latest design includes a positive unidirectional lock and locking position for the scoop arm at rest. This is crucial for preventing accidental damage when not in use. In addition to this key upgrade, the internal components have also been up-graded to improve the reliability and longevity of the product.

A800 SCOOP FITTING KIT

>>> CODE 1003653-01 <<<

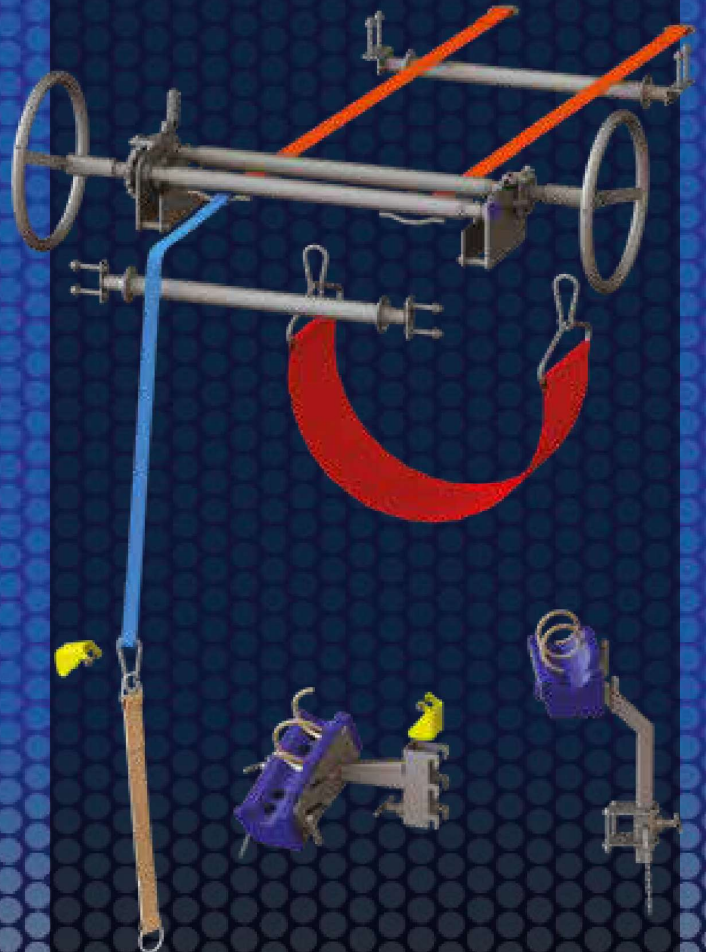
M800 SCOOP FITTING KIT

>>> CODE 1003654-01 <<<

FOOT TRIMMING KIT

>>> CODE 1002393-01 <<<

The foot trim kit features a belly band winch to provide support for the animal whilst hooves are being trimmed and a leg lifting winch to allow safe, easy lifting of front and rear legs. Molded plastic foot blocks ensure a secure, supportive platform for safely trimming hooves. Supplied with all required fittings and straps. The foot trim kit can also be used in conjunction with the Rear Sliding Gate and Cattle Crush Extension.





FRONT CAGE

>>> CODE 1003642-01 <<<

An easy to fit front cage that can be fitted to the Manual yoke. Useful when handling horned or aggressive cattle, the front cage has a self-latching spring loaded up bolt and a rope return for fast, safe operation. Can be built to suit right or left hand operation.

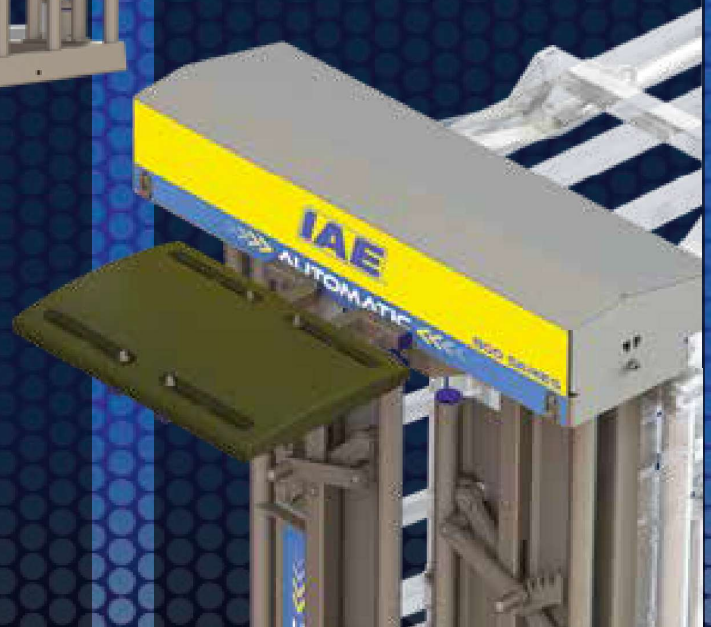
800 SERIES EID FITTING KIT

>>> CODE 1003656-01 <<<

M800 CAGE EID FITTING KIT

>>> CODE 1003655-01 <<<

Supplied as a kit with all required fittings to attach an EID panel Reader, allowing the automatic reading of EID compatible ear tags when used in conjunction with suitable reader incorporated weigh head. The panel is fitted centrally above the cattle's head, giving high tag read success without impacting on access to the animal.



OPTIONAL EXTRAS

LOAD BAR

Bolted directly to the crush at pre welded mounting points, load bars are an essential tool for monitoring the performance of your cattle, when combined with a compatible weigh head everything from DLWG, condition scoring and treatment history can be managed in one place.



STERNUM BAR



>>> CODE 1002705-01 <<<

Quickly fitted using 6 bolts, the Sternum Bar prevents cattle from going down in the crush. To prevent leg traps, the bar features a fully welded inset sheet. Not suitable for use with young stock.

PRODUCT SPECIFICATIONS

	LENGTH (mm)	BASE LENGTH (mm)	WIDTH (mm)	INTERNAL WIDTH (mm)	HEIGHT (mm)	WEIGHT (kg)
A800 SQUEEZE 1002395-01 	2360	2120	860	760 - 285	2230	695
A800 FULL ACCESS 1002397-01 	2360	2120	860	760	2230	535
M800 SQUEEZE 1002398-01 	2950	2120	860	760 - 285	2250	755
M800 FULL ACCESS 1002396-01 	2950	2120	860	760	2250	600

KEY:

-  Compatible to fit
-  Standard

(kg)	LOAD BARS	PALLET LIFTING POINT	SUPERSCOOP®	HOOF TRIMMING KIT	REAR SLIDING DOOR	REAR EXTENSION	READER UNIT MOUNTING BRACKET
	◆	✓	◆	◆	◆	◆	◆
	◆	✓	◆	◆	◆	◆	◆
	◆	✓	◆	◆	◆	◆	◆
	◆	✓	◆	◆	◆	◆	◆

800 SERIES

T: +44(0)1782 339320
sales@iae.co.uk
Mossfield Road, Adderley Green, Longton,
Stoke-on-Trent, ST3 5BW, United Kingdom.
www.iae.co.uk



IAE reserve the right to alter design and specification without prior notice