

UNIMOG



**PART
OF A
LEGEND**

Mercedes-Benz
Trucks you can trust





CONTENTS

History of Unimog	6
Unimog team	8
Unimog range	12
Benefits of Unimog	18
Unimog features	20
Your business	28
<hr/>	
 Local Authorities	30
 Agriculture	34
 Utilities and Energy	38
 Forestry	42
 Road-rail	46
 Fire and Rescue	50
 Leisure	54
 Airport	56
<hr/>	
Service and finance	58
Training and demonstrators	64
Technical data	66
Find out more	70



UNIMOG

Those behind it.
Those who use it.
Those who love it.
Heroes. Dedicated to work.

**PART
OF A
LEGEND**

BIRTH OF A LEGEND

HOW THIS HARD-WORKING ICON CAME TO BE

Many legends are born out of hard times; the Unimog is no different. Built in the aftermath of World War II, the Unimog was the brilliant idea of a former head of aeroengine design and was constructed to take on the toughest tasks from the very beginning.

1945

The idea of the former head of aeroengine design

1951

Production at Daimler-Benz in Gaggenau

1974

Addition of heavy-duty Unimog versions

1992

408 / 418 series for municipal work

2000

New U 300 - U 500 models

2013

All new Euro VI models

Created to go anywhere and complete any job easily, the first Unimog rolled off the production line in 1948.

Earning its badge in 1953, the Mercedes star would sit proudly on the front of the Unimog S from 1955 to 1980 as it supported the armed forces and took explorers on new adventures.

As more people discovered what this workhorse could do, new models were developed to suit different challenges. The bigger, better 406 series came in 1963, with the 425 series taking on the heavy-duty work from 1965.

Between 1985 and 1996 the Unimog earned its reputation as a master of all tasks, with the 408 and 418 series built to support local authorities back home.

Today, new technologies such as a Euro VI engine, torque tube driveline and VarioPilot® mean the latest Unimog models can take on anything modern businesses can throw at it. Whatever the task or terrain, a 'can-do attitude' still lies at the very heart of every Unimog.

A true icon. A true legend.



YOUR DEDICATED TEAM

GET THE EXPERTISE YOU NEED TO GET THE JOB DONE

To keep your business moving, you need a legendary vehicle supported by an experienced and dedicated back-up team.

That's what our Mercedes-Benz Trucks Dealer network delivers.

Our Unimog sales specialists have decades of experience and know-how, so they can find the best model to meet any challenge, no matter how niche.

Plus, our expert Unimog-trained technicians will ensure your vehicle is always fully maintained and ready to work, with 24-hour roadside assistance and GenuineParts readily available across the UK.

With Unimog, you don't just get a hard-working legend, you get a back-up team of heroes too.



Specialist Unimog Sales & Aftersales Dealers



Mercedes-Benz Unimog Aftersales Dealers



HARD WORK IS WHAT WE DO

We love the Unimog as much as our customers do, which means we'll work just as hard to keep you and your business moving.



Ben Christie, Lloyd Ltd, Newcastle



Joe Baines, South Cave Tractors, Brough



Tim Ibbett, Ibbetts, St Neots



James Edwards, Rygor, Westbury

TOGETHER WE'RE TOUGHER

Our Dealers and technicians will tackle any challenge you throw at us.

Wherever you are in the UK, our experienced Dealer network and qualified technicians will be ready for anything, including 24 / 7 breakdown support.

Plus, our Aftersales network will provide servicing and GenuineParts to keep your vehicle operational, so you can be sure you're in safe hands.

Whatever back-up you need, our people will be there to care for you and your Unimog, because we know that together, we're unstoppable.

PART OF A LEGEND

OUR LEGENDARY RANGE

GET THE JOB DONE WITH UNIMOG

From the toughest terrains to the trickiest tasks, the Unimog can take on any challenge you throw at it.

The foundations of a Unimog are built on robustness, unrivalled off-road capabilities and legendary efficiency.

At the centre of our range are the impressive UGE and UHE models. Also known as the Implement Carrier and the Extreme Off-roader, they're built to support even the most niche businesses so you can get the job done easily and efficiently.



UGE - The Implement Carrier



UHE - The Extreme Off-roader

UNIMOG UGE

THE IMPLEMENT CARRIER

Adapt to any job easily with our UGE models.

If you need a strong and reliable multi-tasker, then the Unimog UGE Implement Carrier will be your perfect new team member. Just like you, the Unimog U 219 • U 535 models are dedicated to getting your job done quickly and efficiently, from moving up to 40 tonnes GTW of equipment, to trimming roadside hedges, to clearing snow on remote roads.

A truly multi-purpose vehicle, it can take on the same tasks as a tractor and overcome any terrain unlike most trucks. This means that one Unimog can take on anything.



- Triple mower
- Verge cutter
- Plate compactor
- Solar panel cleaner
- Tunnel washer
- Elevating work platform
- Agricultural logistics
- Wagon braking system
- Oil slick remover
- Cable-laying winch
- Backhoe
- Liquid salt sprayer
- Surface-cleaning sprayer
- Gritter
- Power
- Salvaging support
- Sewer flushing unit
- Water tank
- Front power lift
- Tipper platform
- Snow cutter
- Snow plough
- Irrigation boom
- Forestry
- Plate compactor
- Grader
- Tandem mower
- Plant hole drill
- Verge cutter
- Snow blower-cutter
- Drill
- Road maintenance
- Insulated bitumen tank
- Fire & rescue
- Rear power lift
- Field sprayer
- Reflector-post washer
- Mounted sweeping unit
- Trailer towing vehicle
- Road-rail
- Self-rescue winch
- Rail gear
- Airport
- Loading crane
- Front-mounted sweeper
- Pump water tender body
- Snow blower
- Weed brush
- Wood shredder
- Root cutter
- Boom mower
- Construction
- Trench profiler
- Branch and hedge cutter
- Side snow cutter
- Surface mulcher
- Assembly crane
- Front-mounted compressor
- Front-mounted loader
- Front-mounted sweeper
- Front-mounted tender body
- Snow blower
- Weed brush
- Wood shredder
- Root cutter
- Boom mower
- Construction
- Trench profiler
- Branch and hedge cutter
- Side snow cutter
- Surface mulcher
- Assembly crane
- Front-mounted compressor

UNIMOG UHE

THE EXTREME OFF-ROADER

Our UHE models can take on any terrain.

Venturing into an undiscovered part of the world or taking on a new business project: the Unimog UHE Extreme Off-roader can get you to exactly where you need to be.

Built to overcome any challenge, its all-wheel drive and torque tube driveline can get you, your kit and crew to the most remote destinations, even in extreme conditions. Having earned its stripes on the frontline after World War II, the Unimog U 4023 / U 5023 is tough enough to get you over any terrain so you can focus on getting the job done or just having fun.



- Implement carrier
- Passenger transport
- Emergency power generator
- Recovery vehicle
- TireControl Plus
- Loading crane
- Firefighting pump
- Firefighting platform
- Exploration
- Elevating work platform
- Open-line construction
- Box body
- Transport journeys
- Rescue operations
- Emergency services
- Tipper
- Pump water tender
- Open-cast mining
- Mounted excavator
- Pipe laying
- Patrol vehicle
- Fire & rescue
- Expedition work
- Crane truck
- Mobile workshop
- Pipeline construction
- Municipal
- Emergency ambulance
- Shelter
- Drill
- Winter maintenance
- Bus body
- Extreme off-road capability
- 3-point mounting
- Axle articulation
- Self-rescue winch
- Traction
- Durability
- Robustness
- Safety
- Mounting points
- Low-range ratio
- All-wheel drive
- Angle of approach / departure
- Auxiliary drives
- Ramp breakover angle
- Platform
- Off-road
- Portal axles
- Torque tube technology
- Hydraulics
- Differential lock
- Fording capability
- Ground clearance
- Central tyre inflation
- Ergonomic design
- Torsional flexibility
- Suspension
- Lean angle
- Uphill gradient
- Load capacity
- Payload
- High load capacity
- Frame concept
- Tractive power
- Ride comfort

UNIMOG BENEFITS

From tackling the toughest terrain, to taking on the hardest tasks and staying ahead of the field, the Unimog is robust, reliable and has been built for people like you. Here's why our legendary vehicle is the only choice for your business.



1

It's efficient

Equipped with a Euro VI engine, the Unimog can reach a top speed of 56 mph* so you can get to work quickly and fuel efficiently with very competitive consumption compared to the equivalent tractor.



2

It's agile

Small but perfectly manoeuvrable wheelbases (from 2.8 m long) will get you out of the trickiest, tightest places.



3

It's tough

With up to 40 tonnes GTW, the Unimog can tow on UK roads or on off-road trails and is faster than a tractor.



4

It's comfortable

For legendary comfort, look no further. Our cabs are spacious, with comfortable seats and all-round visibility — perfect for your drivers.



5

It's cared for

With 1,400 hour service intervals and three year warranty as standard. Additionally choose a repair and maintenance package to keep your Unimog as reliable as the day it was built.



6

It's affordable

Select a flexible, industry-leading finance package to get the model you need with terms that suit your cash flow, while benefitting from the class-leading residual values.



7

It's got back-up

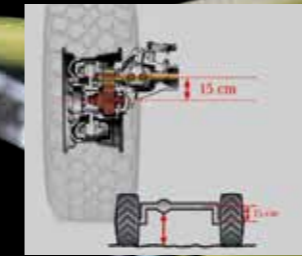
Wherever you and your Unimog end up, our UK-wide team of heroes will be on hand to help.

UNIMOG FEATURES

THE UNIMOG HAS THE RIGHT TOOLS FOR ANY JOB

To help you stay ahead of the competition, your business has to keep up with new innovations.

Hard-working and dedicated at heart, the Unimog is also equipped with the latest technologies to help you take on any task. The latest features ensure that businesses choose the Unimog again and again.



1. It can tackle any terrain

Versatility is at the base of the Unimog's design. This comes from the portal axles which give high ground clearance, getting you to any job, whether it's on or off-road.



2. It will keep you moving

When optioning the Central Tyre Inflation System there is no need to stop halfway through your job to adjust your tyre pressure. Simply choose one of the Highway, Sand or Cross Country modes to inflate or deflate them on the move.



3. It's customisable

Get exactly the right model for your business. Choose from a range of multiple platforms and sub-frame configurations to get a thoroughbred multi-purpose vehicle.



4. It will get you anywhere

Arrive at your next job on time with the help of Unimog's high performance transmission. Capable of travelling up to 56 mph*, the Unimog also boasts eight forward and six reverse gears keeping you running smoothly, wherever you are.



5. It's economical

Equipped with a Euro VI engine, you can rely on Unimog's low fuel and AdBlue® consumption. Plus, it has plenty of power: 190 hp • 350 hp.



6. It'll get the job done

Unimog has a range of optional extras for when you need a high output. From a front Power Take Off (PTO) with a continuous output of 160 kW to on-board engine and transmission PTO, your Unimog can tackle any challenge as efficiently as possible.



7. It's accurate

The Unimog's hydraulic system gives you all of the precision you need. Fully proportional hydraulics and a multifunction joystick mean there's no sudden jerky movements.

UGE - THE ULTIMATE WORKHORSE

To be ahead of the game, you need a vehicle that's as hard-working as you.

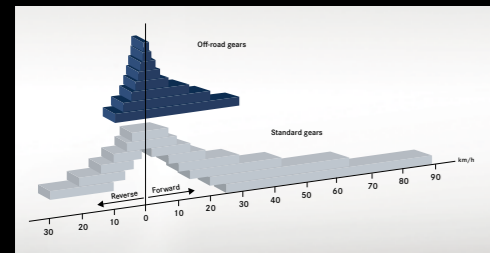
Built to take on any terrain and task, the Unimog UGE model is tough enough to overcome any challenge. Able to adapt to over 1,000 tasks, this Implement Carrier is the ultimate multi-tasker and top performer, which any business would be proud to have on their team.

1,000 tasks. 365-day performance. One vehicle.



1. Be in the right place

To stay safe and comfortable, you need to be in the best driving position. The optional VarioPilot® allows you to switch the entire system from one side of the cab to the other, so drivers can always be in the right place for the task in hand.



2. Take on tough terrain

The Unimog has a highly effective transmission system with short shift times. Equipped with a fully synchronised electro-pneumatic transmission, its eight forward and six reverse gears provide the optimum tractive power. The Unimog also offers a special off-road gear set with an additional eight forward and eight reverse gears for driving at low speeds, so you can select the right power level for any task.

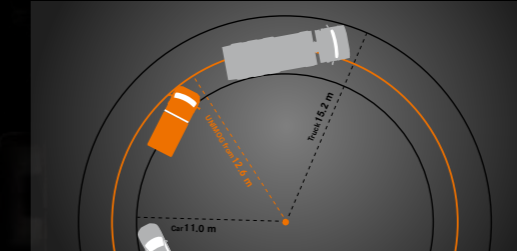


3. Master tricky tasks

Controlling the hydraulics, the multifunction joystick means you can perfectly control any attached implement. From cutting hedges to sweeping roads, take on any job that's thrown your way with ease.



UGE FEATURES



4. Get to your job easily

The standard turning circle of the Unimog can help you reach any difficult space with ease. You can reduce the turning circle of the Unimog even further with the optional four-wheel steering. Steer from front, rear or both axles, or even crab sideways to get the access you need.



5. Never lose power

Front and rear PTO options allow various implements to be operated at the front or rear of the vehicle.



6. Pick the best tool

You wouldn't go to a job without the right tools, and neither does the Unimog. Four attachment and body-mount points mean you'll always have the perfect implement for the job.



7. Carry more kit

Big projects need big kit. The UGE model helps you take on any challenge by hauling up to 40 tonnes GTW on UK roads or off-road.

UHE - THE TOUGHEST OPERATOR

Meet your reliable, dedicated new team member.

Over snow, sand or soft soil tracks, our UHE Extreme Off-roader will get your team and equipment to your next job easily. State-of-the-art truck technology supports this model's all-wheel drive and torsional flexibility, meaning it can cope with any on or off-road terrain or tight turning circle to help your crew reach any off-road location.



1. Get truly reliable performance

No hurdle is too high with Unimog's unique fully sprung off-road chassis. Combined with its compact cab, you can take on tricky manoeuvres and keep up the hard work.



2. Wading depth of up to 1.2 m

Need to get through a river or ford? No problem. With a wading depth of up to 1.2 metres, you can cross any body of water easily.



3. Tow more

Big jobs need big kit and with the UHE's gross train weight of up to 34 tonnes, you can get it all to your next job whether you're travelling on or off-road.

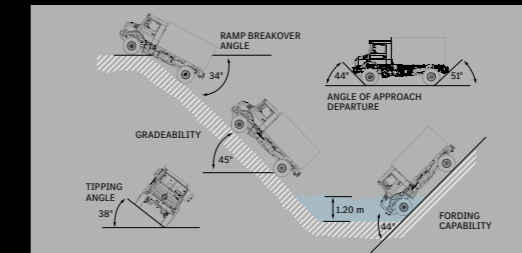


UHE FEATURES



4. Take your team anywhere

The perfect partner for any job can take all your colleagues to their next task with a spacious, safe double cab option.



5. Overcome any obstacle

With exceptional freedom of movement, the Unimog can take on extreme approaches or tipping angles, grade or ramp so you can get to a remote location easily.



6. Tough out any terrain

Torque tube technology and a three-point mounting mean the Unimog's driveline is robustly reliable and durable, even in extreme conditions.



7. Drive freely and comfortably

With legendary driver comfort plus intuitive and ergonomic controls, the Unimog helps simplify your operations. Its seat position and standard high roof offer ample space in the cab so your team can always be in the right place to get the job done.

UNIMOG IS A HVO HERO



WHAT IS HVO?

HVO, or Hydrotreated Vegetable Oil, is the new sustainable way to power your Unimog. It's a paraffinic drop-in fuel – or a biofuel – which can be used as a more sustainable replacement for diesel. Your Unimog will take HVO in both its pure form, and as part of a mixture to improve overall environmental performance. This means you can continue to operate your workhorse around the clock, whilst minimising your impact on the planet.

The use of unblended HVO leads to significant improvements in CO₂ emission performance, with a 90% reduction of CO₂ emissions possible, depending on how the HVO is sourced and produced.

Why choose HVO?

- Engine performance and torque data remain unchanged
- The use of HVO requires no engine or peripheral modifications
- The injection process, fuel lines and seals remain unchanged
- No impact on warranty or goodwill policy
- Intervals for oil changes and for cleaning the particulate filter remain unchanged
- Free mixing of HVO and conventional diesel is possible
- A potential 90% reduction in CO₂ emissions is possible via dedicated use of HVO
- Long shelf life
- Low-temperature performance to -30 degrees
- Completely biodegradable
- Fossil / FAME free and odourless
- HVO fuel adheres to EN15940 standards

BUILT FOR YOUR BUSINESS

A TOUGH, DEDICATED TEAM MEMBER

Every business needs team members they can rely on. Those that work hard in the toughest conditions because they're dedicated to you and your business. That's exactly what you get with a Unimog. The ultimate workhorse, its can-do attitude will get you over any terrain and take on all challenges. Its efficiency and versatility are unrivalled and the reason why businesses choose the Unimog as their number one multi-purpose vehicle again and again.

It's why it's their hero. It's why it's our legend.

Local Authorities

Helping councils and communities to get jobs done efficiently with lower costs.

Agriculture

All year round, the Unimog keeps farmers' businesses moving and growing.

Utilities and Energy

Remote maintenance and repair for electrical and water systems is easy with Unimog.

Forestry

Whatever the season, this vehicle keeps forests and parks looking their best.

Road-rail

Customised for specialist work, the Unimog can work efficiently on both track and trail.

Fire and Rescue

Built to support the fire and rescue services, our hero saves lives in local communities too.

Leisure

For your next adventure there's no better travelling companion than Unimog.

Airport

From repairing runways to clearing snow, our vehicle helps to keep airports moving.



 Local Authorities



 Utilities and Energy



 Road-rail



 Leisure




 Agriculture



 Forestry



 Fire and Rescue



 Airport



Local Authorities

YOUR ROUND-THE-CLOCK MULTI-TASKER

Britain's Local Authorities keep their communities moving, 24 / 7, 365 days a year. So why not pick a vehicle that's as dedicated and hard-working as you?

Able to adapt to any environment, the Unimog UGE Implement Carrier can take on whatever task you throw at it, from sweeping pavements to clearing snow. So, instead of choosing a fleet of vehicles, you can have one that supports you all year round.

With the Unimog, you'll get:

- **A multi-tasker:** its four implement attachment areas mean it can take on over 1,000 tasks
- **Functionality:** through the optional front and rear PTO, various implements can be powered
- **Skill:** a multifunction joystick that gives you ultimate implement control
- **Resilience:** an optional hydrostatic drive and 14 gears to take you from city to country easily
- **Safety:** all-round driver visibility with fitted camera systems and optional VarioPilot®
- **Fuel-efficiency:** a Euro VI engine that's greener and keeps fuel costs low
- **Versatility:** the ability to reach up to 56 mph* makes the transition between on and off-road operations seamless





“The Unimog is a far more cost-effective solution, though, because it can be used in a variety of roles all year round. With its ability to carry and power a variety of front, side and rear-mounted implements, and to pull a trailer at a gross combination weight of up to 40 tonnes, the Unimog is incredibly versatile. No other vehicle is able to carry out such a wide range of tasks, so well.”

James MacDonald, Transport & Logistics Manager, Highland Council



A PIONEER FOR ALL WEATHER CONDITIONS

From mowing grass to clearing snow, the Unimog does it all.

Home to some of the wildest terrain, the Highlands also face some of the worst weather conditions in the UK.

Highland Council's multi-tasking Unimog not only works hard in the summer trimming roadside hedges and verges across northern Scotland, but it also battles against heavy snowfalls and freezing temperatures in the winter months.

The long-wheelbase Unimog U 530 has a platform body which accommodates its large gritter spreader during winter to keep access routes clear. Its 220 kW (299 hp) six-cylinder engine drives through an automated gearbox, allowing the driver to concentrate fully on the road and their implement attachments.

On mountain roads and rugged terrain, the trusty Unimog keeps Highland residents safe and the cost to taxpayers low.





Agriculture

YOUR ALL-SEASON SUPPORT

Working hard day in and day out is how farming life is.

Keeping running costs low and getting jobs done efficiently is your everyday challenge. From arable, to livestock, to contracting; the legendary Unimog UGE and UHE pull their own weight on the farm. Equipped with all the tools to get your tasks done better and faster, they will help you get through the toughest of seasons so you can focus on what you do best.

With the Unimog, you'll get:

- **Adaptability:** from spreading, to mowing, to hedge-trimming, its four implement areas can help you get over 1,000 tasks done easily
- **Towing power:** with all the power of a tractor, it can legally tow up to 40 tonnes GTW on and off-road
- **Functionality:** through the optional front and rear PTO, various implements can be powered
- **Toughness:** on the farm track or over fields, get anywhere with an optional Central Tyre Inflation System and high ground clearance
- **Efficiency:** an all-round vehicle with low fuel consumption, you can rely on the Unimog in any season
- **Flexibility:** reinforced portal axles mean you can rely on the Unimog to get you out of the tightest, trickiest spots
- **Versatility:** the ability to reach up to 56 mph* makes the transition from the field to the road seamless





“The Unimog has cut journey times by as much as three hours, and is also saving us more than 75 litres of fuel on some working days. In financial terms, it’s a ‘no brainer!’”

Rob Huntbach, Director, Hayfields Dairy



THE ULTIMATE FARMHAND

All year round, Unimog delivers time and cost savings for award-winning cheesemaker.

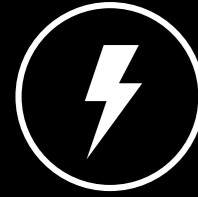
Hayfields Dairy sells award-winning cheese and butter from selected farms located throughout Cheshire, Shropshire and Staffordshire. They collect the raw material from selected farms using their trusty Unimog, which can cover up to 250 miles in a day, all whilst towing a 16,000 litre milk tank.

Staying efficient across the whole process is essential for Hayfields, and with 250 acres of land to manage, they also need the help of their multi-talented U 430 to undertake a wide variety of other tasks on the farm.

Be it transporting full tankers of raw material, to hedge cutting and pulling silage trailers over fields, their Unimog does it all.

This reliable grafter plays the ultimate support role for Hayfields Dairy all year round.





Utilities and Energy

YOUR CAN-DO COLLEAGUE

Power your business with a reliable workhorse.

Under pressure to constantly keep power, water and other services running, Utilities and Energy team members are dedicated and hard-working. A reliable multi-tasker, Unimog UGE and UHE share the same work ethic; whether it is getting you to remote pylons for repairs, carrying specialist kit to a water main or keeping drivers safe over a long shift. Wherever your toughest tasks may be, the Unimog will give you legendary support.

With the Unimog, you'll get:

- **A hard worker:** hydraulic-powered front and rear PTO options will keep you going
- **Cost-efficiency:** keep fuel costs low with the Unimog's Euro VI engine
- **Reliability:** overcome any terrain with high ground clearance and a spring-loaded chassis
- **Safety:** be in the best driving position to see everything with optional VarioPilot®* driving and optional camera systems
- **Comfort:** get your team to their job comfortably with an optional double-sized cab





“We operate a number of Unimogs. We need versatile off-road HGVs so our teams can access overhead power lines located in difficult terrain to carry out repairs and vital construction work that will improve our network for customers.”

Alistair Walton, Zone Manager, Northern Powergrid



A ‘10 OUT OF 10’ VEHICLE

Keeping the lights on for Northern Powergrid’s customers.

To keep their promise of ‘10 out of 10’ service to their customers, Northern Powergrid requires minimal downtime.

When faced with repairing and maintaining overhead power lines, they need to get ‘hot glove’ teams and their equipment to remote locations as quickly as possible.

Equipped with an insulated Versalift platform, their UGE Unimog has twin buckets so teams can work together efficiently, up to heights of 13.3 m.

Plus, the all-wheel drive, efficient transmission and Central Tyre Inflation System mean they can access the trickiest spots with no problems.

Its reliability and hard work on tough terrain make the Unimog a perfect support vehicle for Northern Powergrid.





Forestry

YOUR LEGEND OF THE FOREST

Keeping forest paths clean, controlling brush and shredding wood, forestry teams need a large range of tools to get their tasks done.

To manoeuvre into the tightest spots, reach the highest branches and carry equipment, wood or biomass, businesses require a vehicle that's flexible, powerful and reliable. The Unimog UGE Implement Carrier is the ultimate multi-tool for forestry, helping you to do a tidy job quickly and easily.

With the Unimog, you'll get:

- **Toughness:** take on forest trails or open wilderness with a 14-gear transmission and reinforced portal axles
- **Functionality:** through the optional front and rear PTO, various implements can be powered
- **A tidy worker:** leave no damage behind with an optional Central Tyre Inflation System and high ground clearance
- **Flexibility:** four implement attachment areas and a multifunction joystick mean you can get to those hard-to-reach areas easily
- **Graft:** with 40 tonnes GTW of towing capacity, take all your kit to every job whether it's on or off-road
- **Efficiency:** get there quickly with the powerful and fuel-efficient Euro VI engine





A TRUE WORKER BEE

Unimog keeps business buzzing for GVA Trees.

'Get Cumbria Buzzing' has seen GVA Trees take on a range of tasks to support local wildlife, from managing bee habitats to creating corridors of wildflowers.

The project was started by Cumbria Wildlife Trust, who've been working with partners such as Yorkshire-based GVA to create and improve environments for wildlife and insects.

To support this growth, GVA required the assistance of a Unimog UGE Implement Carrier.

Equipped with Central Tyre Inflation and VarioPilot® systems, drivers can mow grass, trim hedges and climb soft terrain easily and safely.

Also, by transporting a range of complex kit to hard-to-reach locations, the Unimog has helped GVA Trees complete this huge initiative quickly and efficiently, putting them ahead of the competition.





Road-rail

YOUR TRACK AND TRAIL WORKHORSE

On road and on rail, you can rely on the Unimog.

Previously, the UK railways needed the support of a range of highly specialist vehicles to keep everything moving. Now, road and rail businesses need just one vehicle to do it all – the Unimog UGE Implement Carrier. By working with partners, we've adapted the Unimog to make day-to-day tasks simpler for these specialist teams. With easy-to-use tools and reliable strength and power, you can depend on the Unimog to keep your crew working at their best.

With the Unimog, you'll get:

- **Flexibility:** a compact, robust cab base with four implement attachment areas to get over 1,000 jobs done easily
- **Adaptability:** custom options for working on road and rail, including wagon-braking systems and rail gear
- **Strength:** shunt up to 1,000 tonnes with a reliable torque transmission system
- **Power:** get anywhere with all-wheel drive for on or off-road and self-propulsion gear for on rail
- **Practicality:** easy-to-fit implements are powered by front and rear PTO options
- **Specialist knowledge:** by working with partners, we've created a multi-purpose vehicle to meet these niche business needs





“It’s all about flexibility and ease of operation. Railway access points can often be difficult and challenging, but not for a short-wheelbase, 4x4 Unimog. The truck also offers a massive on-rail towing ability and is exceptionally reliable, while the reduction in emissions is good news too, particularly for operatives working in tunnels.”

Tony Culverwell, Head of Industrial Products, LH Group Services



A SPECIAL TEAM PLAYER

Unimog’s unique skills make it the best partner for LH Group.

Powertrain products specialist, LH Group Services, won a prestigious order from Network Rail and needed eight vehicles that were adapted for use on rail, as well as on road and rough terrain. The Unimog’s ‘go anywhere’ prowess made it the perfect partner for the business’ specialist tasks.

Taking on rails, road and rugged terrain easily, Unimog gave LH the power and tools they needed.

Specified for overhead line work, all bar one of their Unimog fleet are fitted with six-metre access platforms that have safe working load capacities of 400 kg. The final vehicle has an impressive 2,500 kg scissor-lift. Each Unimog is fitted with additional bogies front and rear, to provide guidance for ‘on-rail’ operations – these are deployed or raised hydraulically, from the cab.

By choosing Unimog, LH can comfortably traverse challenging ground to complete their expert work safely and efficiently.





Fire and Rescue

YOUR FIRST RESPONDER

Keep your community and team safe.

Born in the aftermath of World War II, the Unimog earned its stripes on the frontline. Helping to save lives with the armed forces and in disaster zones, the UHE Extreme Off-roader can get teams and equipment to emergencies quickly. It can also adapt to specialist tasks easily with customisable options, making the Unimog the ultimate multi-purpose vehicle for both fire and rescue teams.

With the Unimog, you'll get:

- **Reliability:** a reinforced frame and portal axles get you to places other vehicles can't
- **Safety:** various cab choices for great driver visibility and safety, such as in-cab camera systems
- **Versatility:** customisable options such as rescue pods to help you save lives in difficult emergencies
- **Speed:** respond quickly over any terrain with a powerful Euro VI engine and torque transmission
- **Toughness:** high ground clearance, all-wheel drive and differential locks mean you can reach remote locations with ease
- **A true lifesaver:** with a basic concept made for the frontline, the Unimog is tough and reliable enough to help any fire and rescue team





“The Unimog is actually a highly cost-effective piece of equipment. An unrivalled combination of all-terrain performance, agility and adaptability make it the perfect platform for a variety of applications.”

Neil Elmy, Fleet and Equipment Manager, Suffolk Fire and Rescue



A COMMUNITY HERO

Unimog saves lives and costs with Suffolk Fire and Rescue Service.

Having used dedicated Unimogs to rescue large animals and fight wildfires for over 30 years, a community fire service needed an upgrade to help them with new emergencies.

By choosing the latest fully-equipped models, Suffolk Fire and Rescue Service can keep both their residents and firefighters safe.

With three Unimogs based in Ipswich, Bury St Edmunds and Lowestoft, their Euro VI engines and dropside bodies, high performance cranes and winches help crews carry out difficult rescues and get to remote emergencies quickly.

Carrying teams and their equipment across water and rugged terrain, a rescue pod and 1,500 litre water tank provide the team with a multi-purpose vehicle that can save both lives and costs.

Wherever and whatever the emergency, the tough Unimog helps the crew to rescue residents quickly, keeping them and their team safe.





Leisure

A RUGGED EXPLORER

Have fun in the most extreme environments.

True pioneers need to run free. Just like you, the Unimog UHE Extreme Off-roader loves to head off the beaten track and find its own path. From long-distance voyages to taking on the toughest off-road trails, the Unimog will be your ultimate companion on any adventure. With lots of custom options available, you can create your own unique expedition vehicle to have fun and make memories in.

With the Unimog, you'll get:

- **Fun:** torque transmission and portal axles give you great handling both on and off-road
- **Toughness:** get over any terrain with high ground clearance and all-wheel drive
- **A companion:** from long-distance touring vehicle to comfortable camper, it can adapt to any adventure
- **Reliability:** the reinforced chassis gives sturdy performance, even in extreme conditions
- **Comfort:** a spacious cab fitted with ergonomic seats and easy-to-use controls
- **Individuality:** work with specialised body builders to create your own special expedition vehicle





Airport

YOUR GO-GETTER

Taking on tasks for safer airport take-offs.

To stop delays and disruption, airport maintenance teams need to get their job done quickly and safely. From clearing runways of snow to removing rubber from touchdown zones, the Unimog UGE Implement Carrier's multi-purpose abilities mean it can take on any task with ease. By keeping passengers moving and maintenance crews safe, the Unimog helps airport teams fly high every day.

With the Unimog, you'll get:

- **Versatility:** four implement attachment areas help teams to complete over 1,000 jobs easily
- **Functionality:** through the optional front and rear PTO, various implements can be powered
- **Strength:** up to 40 tonnes GTW of towing capacity will get your kit to exactly where you need it to be
- **Efficiency:** save costs and stay efficient with the Unimog's Euro VI engine
- **Safety:** an optional Variopilot® driving system and excellent visibility help to keep everyone safe
- **Toughness:** a true multi-purpose vehicle, the Unimog takes any task in its stride





**DEDICATED
TO YOUR
BUSINESS**

KEEPING YOU MOVING

The Unimog is dedicated to work. We're dedicated to your business.

Even in the toughest times we'll support you with low maintenance and running costs, so you can focus on building your business and getting the job done. We'll keep your business moving by:

Keeping you covered

Our full vehicle warranty comes with any new Unimog sold in the UK as standard. The three-year, 100,000 mile cover means you can rely on our team to fix any problem and get you moving again quickly.

Making sure you're ready for anything

You put your Unimog through its paces every day. So our experienced technicians will make sure it's tough enough to take on anything you throw at it with our 1,400 hour service intervals.

Supporting you when you need it

As your business grows, you'll need support across the UK and Europe. Our network has you covered with Service24h Roadside Assistance. Wherever you end up, our fully qualified technicians will be on hand to get you going again 365 days a year.

Getting quality parts to you quickly

We know you can't afford to have any downtime. That's why our Mercedes-Benz Unimog Dealer team have the highest quality GenuineParts available, so your Unimog will always be ready to tough out its next task. Whatever back-up you need, our people will be there to care for you and your Unimog, because we know that together, we're unstoppable.

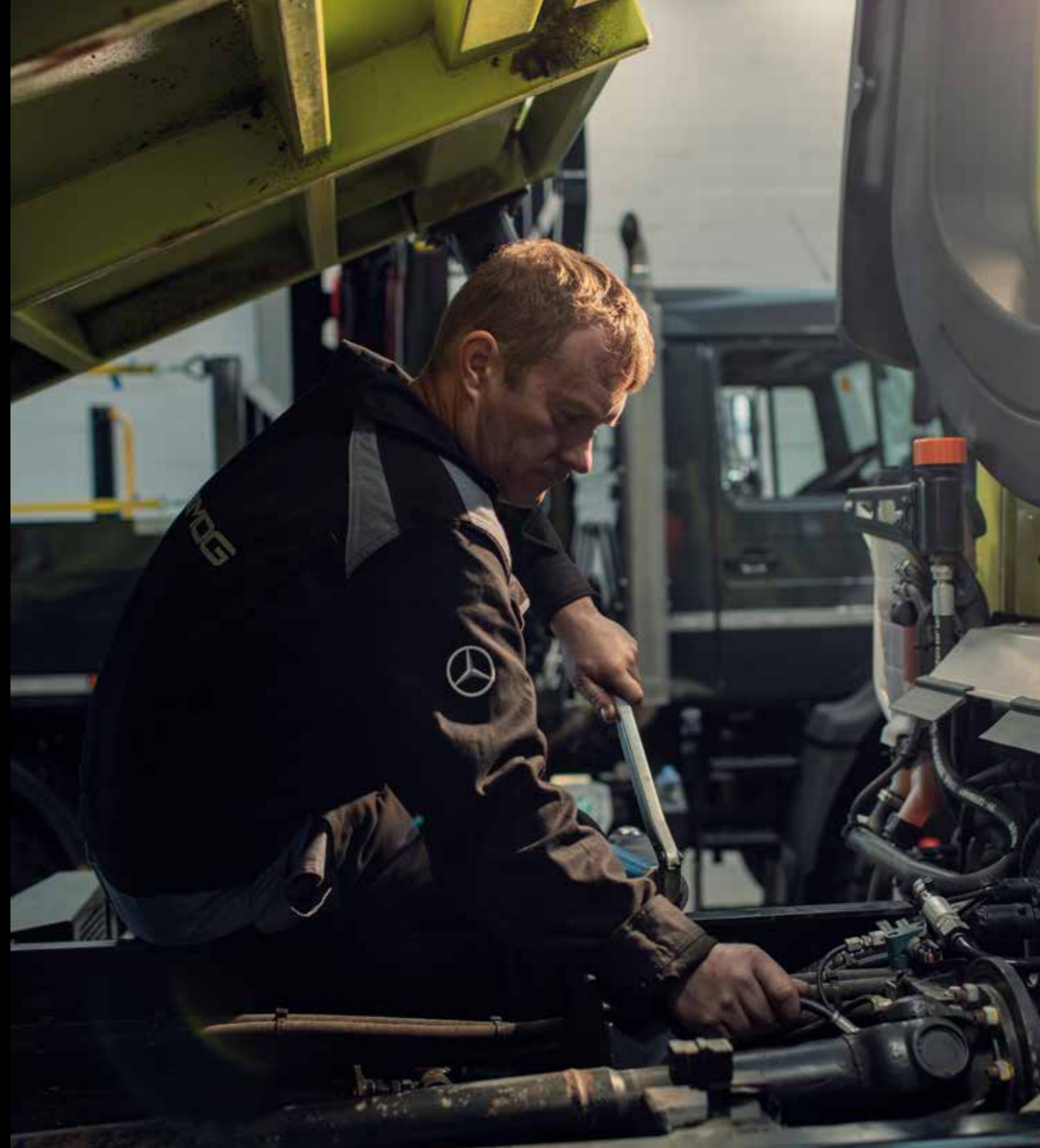
KEEP MOVING STAY COVERED

YOU'RE IN SAFE HANDS WITH OUR SERVICE CONTRACTS

Our team of experienced technicians will give you all the support you need with our Comprehensive Service Contracts. Backed up by the Mercedes-Benz Trucks UK Dealer network, we'll ensure your business remains moving.

With our optional Mercedes-Benz Complete Comprehensive Service Contracts, you get:

- All routine maintenance work, including parts and oil changes
- Preventative care and repair
- All general repairs as well as replacements for wear and tear
- UK-wide support for unplanned repairs



Included in your safety Service Contract:

Warranty

- Cover for a wide range of mechanical and electronic components as well as for the powertrain

Maintenance

- Regular vehicle maintenance to Mercedes-Benz quality standards

Wear and tear parts

- Repair of worn parts and maintenance work on the vehicle (excluding implements and attachments)
- Replacement of major assemblies

24h breakdown assistance

- Roadside attendance
- Towing costs are covered in the case of mechanical breakdowns

Statutory inspections

- MOT inspections
- Safety inspection for all vehicles weighing 7.5 tonnes or more
- Tachograph check

FINANCE BUILT FOR YOU

FLEXIBLE FINANCE THAT WORKS FOR YOU

Find out more about our finance options at: mbtrucks.co.uk/finance

Own your Unimog.



Hire Purchase

A straightforward route to ownership. This is the perfect way to buy a Unimog if you want to work your way up to full ownership, spreading the overall cost over a fixed term.

Lease your Unimog.



Contract Hire

Gives you the ability to enjoy the benefits of driving a Unimog without having to take on full ownership. With this option you lease your vehicle for a fixed period for a fixed monthly rental that also includes the cost of your Road Fund Licence.



Finance Lease

Allows your vehicle to appear as an asset on your balance sheet, without the option of ownership as you hire the vehicle for a fixed period.



Operating Lease

A solution for those who want to drive a Unimog over a fixed term, with lower monthly rentals and without the worries or commitment of ownership.



DISCOVER OUR TOUGHNESS

WANT TO KNOW IF THE UNIMOg IS TOUGH ENOUGH FOR YOUR BUSINESS?

Get in touch with your local Unimog Dealer to find out more information or book a demonstration so that you can get a real hands-on experience with our unique, ultimate hero and put it through its paces.

Our Unimog team gains their expertise and experience at our Head Office in Milton Keynes, at our Experience Centre at Wentworth Park, Barnsley, and of course working day-to-day across all Unimog models, to ensure that they can solve any challenges and keep your Unimog working efficiently.



TECHNICAL DATA • UGE THE IMPLEMENT CARRIER

Dimensions and weights

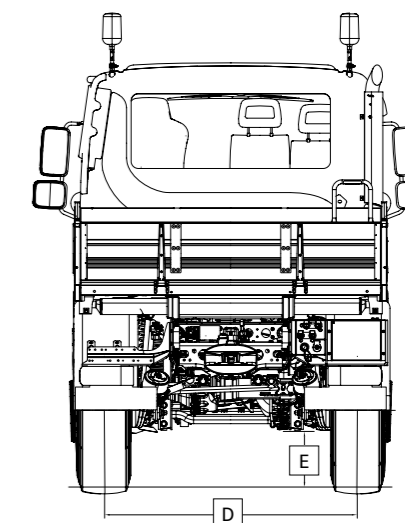
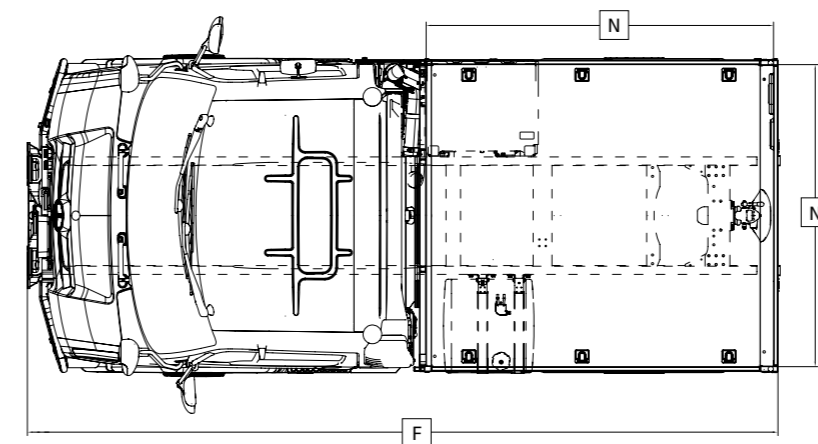
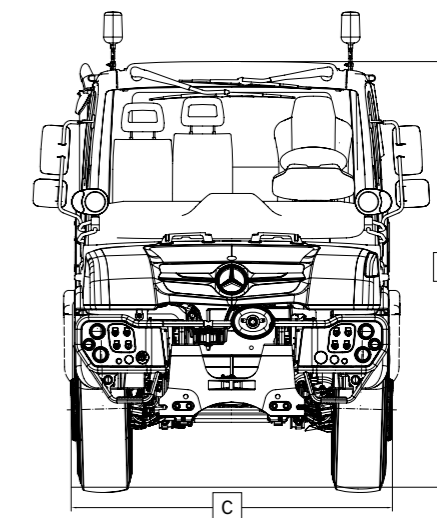
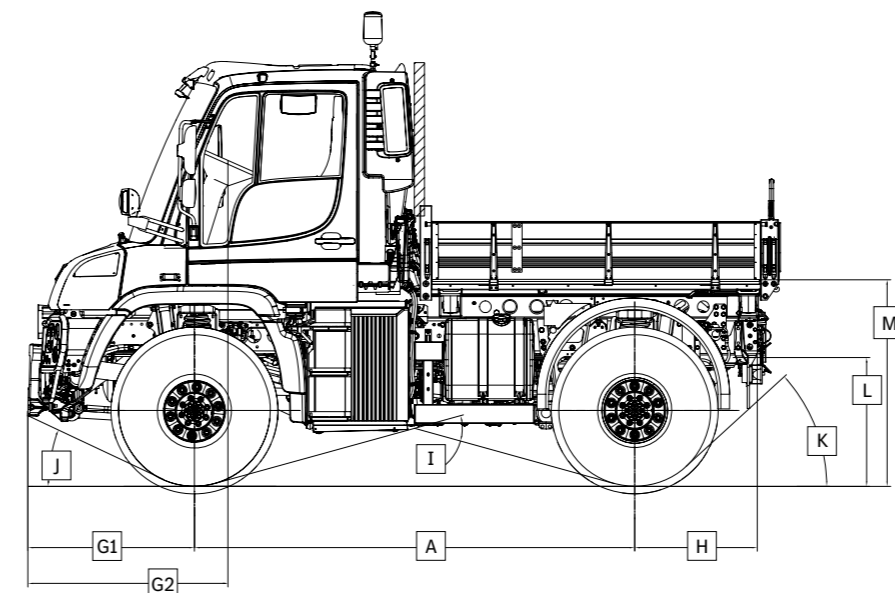
Model	U 219	U 319	U 423		U 427 / U 430 / U 435		U 527 / U 530 / U 535	
			short	long	short	long	short	long
Model variant	405.090	405.104	405.105	405.125	405.110	405.125	405.202	405.222
A Wheelbase	2800	3000	3000	3600	3150	3600	3350	3900
B Vehicle height	2855	2845	2900	2900	2900	2900	2900	2900
C Vehicle width	2200	2200	2200	2200	2200	2200	2300	2300
D Track width	1794	1794	1734	1734	1734	1734	1828	1828
E Ground clearance	335	325	383	383	383	383	379	379
F Vehicle length	4980	5155	5150	5755	5300	5755	5440	6215
G1 Front end dimension (centre of axle)	1145	1145	1142	1142	1142	1142	1142	1142
G2 Front end dimension (centre of steering wheel)	1363	1363	1363	1363	1363	1363	1363	1363
H Rear overhang	860	840	840	840	840	840	840	1000
I Ramp breakover angle	27°	26°	30°	26°	30°	26°	28°	24°
J Approach angle	25°	27°	33°	33°	33°	33°	35°	35°
K Departure angle	37°	37°	42°	42°	42°	42°	41°	35°
L Height at centre of TC	825	815	873	873	873	873	869	869
M Height at loading edge of platform	1357	1347	1407	1407	1407	1407	1435	1435
N Inner dimension, tipper flatbed (length × width × height)	2200 × 2075 × 400	2385 × 2075 × 400	2385 × 2075 × 400	2900 × 2075 × 400	2385 × 2075 × 400	2900 × 2075 × 400	2650 × 2200 × 400	3430 × 2200 × 400
Turning circle	12.6 m	13.7 m	13.7 m	16.5 m	14.3 m	16.5 m	15.1 m	16.9 m
Max. perm. gross weight (with relevant special equipment)	10.0 t	11.0 t	13.8 t	14.0 t	14.0 t	14.0 t	16.5 t	16.5 t
Max. weight on FA	5.2 t	5.5 t	6.9 t	7.0 t	7.0 t	7.0 t	7.5 t	7.5 t
Max. weight on RA	5.5 t	6.0 t	7.8 t	8.0 t	8.0 t	8.0 t	9.5 t	9.5 t

Engines

Model	U 219	U 319	U 423	U 427	U 430	U 435	U 527	U 530	U 535
Engine	OM 934	OM 934	OM 934	OM 936	OM 936	OM936	OM 936	OM 936	OM936
Max. output acc. to DIN (kW)	140	140	170	200	210 / 220	260	200	210 / 220	260
Max. output (hp)	190	190	231	272	285 / 299	M354	272	285 / 299	M354
Cylinders	4	4	4	6	6	6	6	6	6
Max. torque (Nm)	750	750	900	1100	1150 / 1200	1380	1100	1150 / 1200	1380
Rated engine speed (rpm)	2200	2200	2200	2200	2200	1800	2200	2200	1800
Displacement (cc)	5132	5132	5132	7698	7698	7968	7698	7698	7968
Fuel tank / larger (l)	145	145 / 200	200	200 / 250	200 / 250	200 / 250	200 / 250	200 / 250	200 / 250
AdBlue® tank (l)	18	25	25	25	25	25	25	25	25

Vehicle dimensions in mm, with 365 / 80 R 20 (U 219 - U 319) or 365 / 85 R 20 (U 423 - U 530) tyres, partially laden; TC = trailer coupling, FA = front axle, RA = rear axle.

UGE DIMENSIONS



Model variant 405.105, see table for dimensions.

TECHNICAL DATA • UHE THE EXTREME OFF-ROADER

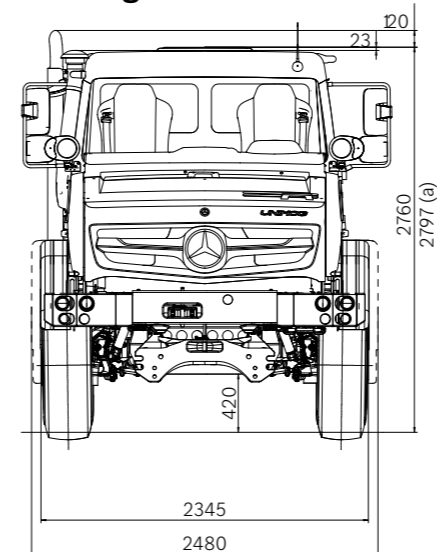
Dimensions, weights and engines

Model	U 4023	U 5023
Engine (Euro VI)	OM 934 LA	OM 934 LA
Power output	170 kW / 231 hp	170 kW / 231 hp
Torque at rated engine speed	900 Nm / 2200 rpm	900 Nm / 2200 rpm
Clutch	SAE-2 Ø 395 mm single-plate dry clutch (organic)	SAE-2 Ø 395 mm single-plate dry clutch (organic)
Transmission	UG 100 / 8	UG 100 / 8
Axles	Torque-tube-controlled portal axles with spring coils	Torque-tube-controlled portal axles with spring coils
Front axle (model variant)	737.367	737.223
Rear axle (model variant)	737.367	737.223
Electrical system	24 V	24 V
Battery capacity (standard / optional extra)	100 / 170 Ah	100 / 170 Ah
Tank capacity	Rated volume 160 / 235 l	Rated volume 160 / 235 l
Steering with max. steering pressure	ZF 8095 / 170 bar	ZF 8095 / 170 bar
Brakes	Pneumatic disc brakes	Pneumatic disc brakes
Smallest tyre size (tyres / rims)	335 / 80 R 20	365 / 80 R 20
Largest tyre size (tyres / rims)	425 / 75 R 20	455 / 70 R 24
Drive type	Engaging all-wheel drive	Engaging all-wheel drive
Wheelbase	3850 mm	3850 mm
Perm. GVW (max. with relevant optional extras)	10.3 t	15.0 t
Max. weight on front axle	4.6 t	6.4 t
Max. weight on rear axle	6.0 t	8.8 t
Angle of approach / departure front / rear	42° / 46°	46° / 50°
Turning circle	16.3 m	16.3 m
Mounting area (max. L x B x H)	4100 x 2280 x 1400 mm	4100 x 2280 x 1400 mm
Fording depth (standard / optional extra)	0.8 m / 1.2 m	0.8 m / 1.2 m
Speed	89 km/h*	89 km/h*

*Limited legal speed limit.

UHE DIMENSIONS

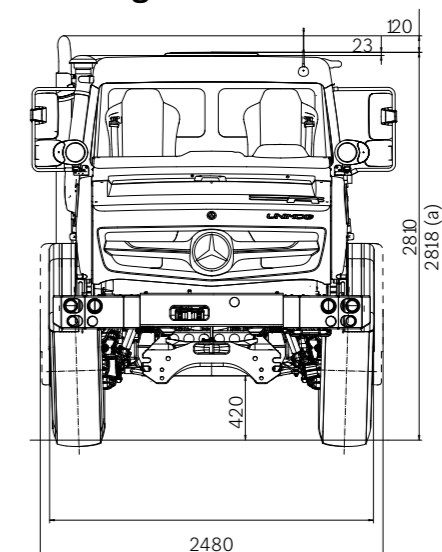
Unimog U 4023



(a) Unladen vehicle

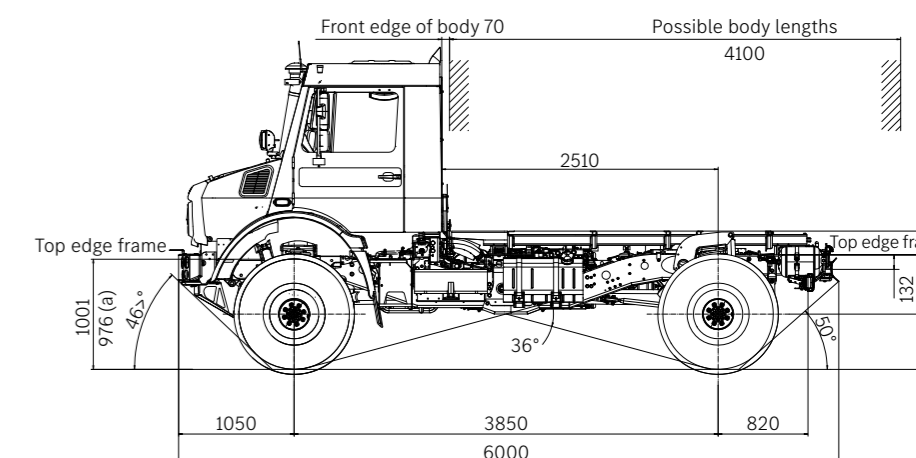
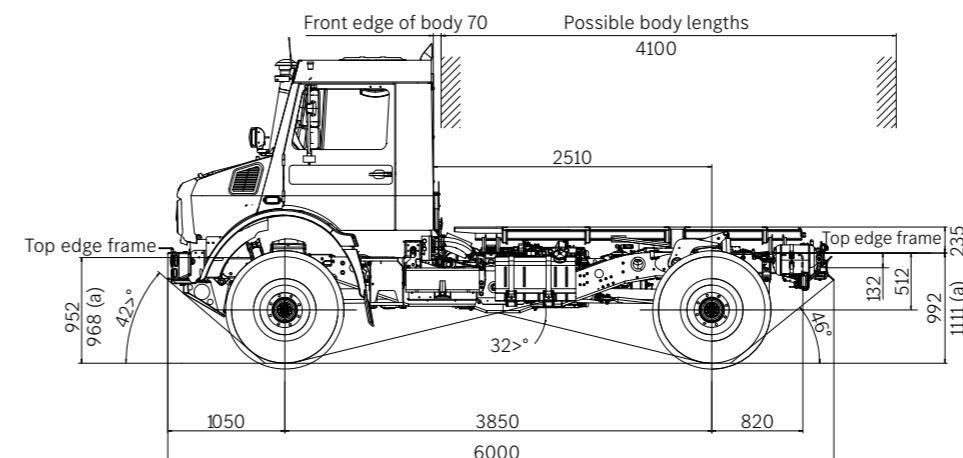
Drawing shows vehicle with compressed suspension and fitted with 365 / 80 tyres R 20, with OE = optional equipment, all dimensions in mm.

Unimog U 5023



(a) Unladen vehicle

Drawing shows vehicle with compressed suspension and fitted with 365 / 85 tyres R 20, with OE = optional equipment, all dimensions in mm.



WANT TO FIND OUT MORE?

DISCOVER WHICH HERO IS RIGHT FOR YOU AND YOUR BUSINESS



Check out our legendary vehicle

mercedes-benz-trucks.com/en_GB/brand/unimog-part-of-a-legend.html



Finance your new Unimog

mercedes-benz-trucks.com/en_GB/brand/unimog-part-of-a-legend/finance-your-unimog.html



Meet our Unimogs in the brochure download centre

mercedes-benz-trucks.com/en_GB/brand/download-centre.html



Contact one of our dedicated Dealers

mercedes-benz-trucks.com/en_GB/brand/unimog-part-of-a-legend/become-part-of-a-legend.html



[Instagram.com/unimogofficialuk](https://www.instagram.com/unimogofficialuk)



[Twitter.com/UnimogUK](https://twitter.com/UnimogUK)



The Unimog.
The benchmark for off-road capability.

Mercedes-Benz
Trucks you can trust



A tough piece of kit - on and off-road.
The Unimog is a fire service and emergency response vehicle.

Mercedes-Benz
Trucks you can trust



Real adventures only start where sealed roads stop.
With the Mercedes-Benz Unimog as a camper or a tiny house, touring offers.

Mercedes-Benz
Trucks you can trust



Ready for any challenge. The Unimog.
The efficient solution for agricultural and municipal applications.

Mercedes-Benz
Trucks you can trust



The Unimog.
The powerful professional for professionals.

Mercedes-Benz
Trucks you can trust



The Unimog.
The powerful implement carrier.

Mercedes-Benz
Trucks you can trust



Issued by Mercedes-Benz Trucks UK Ltd, Tongwell, Milton Keynes, MK15 8BA. Visit www.mbtrucks.co.uk/unimog-part-of-a-legend
Please consult your local Unimog Dealer for further information. The contents of this brochure are not binding and the right is reserved to make modifications without notice.

MBT251