

# KIVI-PEKKA

## KIVI-PEKKA STONE PICKERS



PELTUOTE

FINNISH EXPERTISE FROM THE ROCKIEST FIELDS OF FINLAND

### SAVE MONEY, TIME AND HEALTH

Kivi-Pekka rock picker is designed to remove stones and other solid objects from all types of soil. It removes stones efficiently and clears new fields of tree roots and branches. In addition to fields, Kivi-Pekka can be used for road foundation work, golf courses and landscaping.

Stones are traditionally removed from fields by collecting them by hand. This is not only time-consuming but, at worst, puts people's health at risk due to poor working postures. To make matters worse, the end result is never as good as that attained by mechanical removal. Thoroughly cleared fields yield a better harvest, prevent damage to other farming machinery and lower repair costs.

Kivi-Pekka rock picker can be customised to meet your specific needs. Compare the widths, accessories and other features and find the optimal solution.





# KIVI-PEKKA



## KIVI-PEKKA 4, 5 AND 6

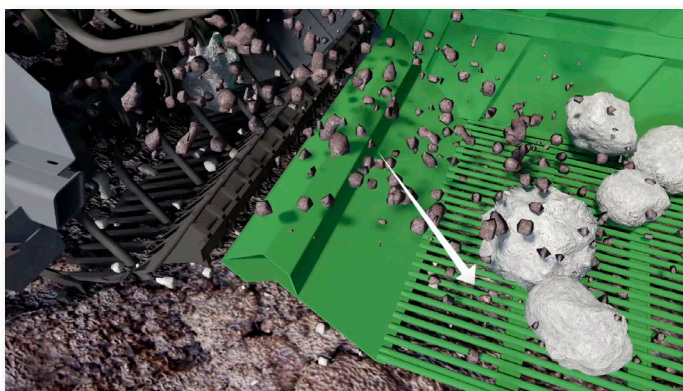
The Kivi-Pekka family already includes five machines of different sizes so that everyone can find one that suits their needs. Differences can be found in size and power, among other features. All machines are customized according to the customer's wishes. The machines have comprehensive standard equipment, but with accessories you can maximize the power of the machine. All the machines are equipped with a sieve according to the cultivation direction, hydraulic rotor lifting and soil collection as standard.

### Sieve (in cultivation direction)

The welded sieve is made of special-alloy steel and is available with different spacings. The tines run between the sieve bars the entire length, thus keeping the sieve clean and preventing jamming of rocks.

### Hydraulic rotor lift

The lifting action is achieved with a hydraulic cylinders, which raises the rotors simultaneously. Hydraulic locks secure them into the transport position. The operator is able to position the picker in working or transport position from the cab.



### Soil sieving system

Soil collection allows the topsoil to end up back in the field. Cleaned rocks can be used in construction or road building, for instance.

### Kivi-Pekka separates the soil over three stages:

1. Stone enters the machine over the sieve located under the lifting drum.
2. Stone is carried to the tank, and the soil in the sieve structure is released back to the field.
3. Any left-over soil slides into a separate container located behind the back wall of the stone tank, and gets released at the tipping stage.



# KIVI-PEKKA STONE PICKERS

## ISOBUS control - Additional accessories

The new Isobus control device makes the use of Kivi-Pekka stone pickers more efficient and easier to use. The stone picker equipped with Isobus control measures the working depth with an ultrasonic sensor and adjusts the depth automatically as set with the controller. If the stones get jammed, the machine automatically relieves the rotors and raises the Flex Drum lifting drum. After the jam, the rotors and lifting drum automatically return to their original position.

At the headland, the automation takes care of lifting the machine and stopping the output with one push of a button. The automation also raises the machine if the tractor reverses or the output is switched off. The consumable parts of the machine last significantly longer when the automation monitors their use. Maintenance reminders and working time monitoring are also visible in the Isobus terminal, which is helpful for contractors and users of shared machines.



## Flex Drum - Additional accessories

The lifting drum's power transmission is mounted along the drum frame, allowing the frame and the entire lifting drum to yield upwards, which makes it possible to lift stones 50 cm (20") in diameter. Because of the Flex Drum's hydraulic pressure accumulator, the drum passes over any large stones it comes into contact with. In addition, the drum can be raised into the top position with the hydraulic system, allowing any jammed stones to be released.

The Flex Drum's suspension system protects the sieve and tines against the contact with stones, thereby extending their service life. Thanks to the Flex Drum, no backwards rotation is needed, as the drum can be lifted up and a large stone picked up without stopping.





# KIVI-PEKKA



## KIVI-PEKKA 7

### MAXIMUM EFFICIENCY IN STONE PICKING!

Maximum efficiency and durability in a single package. Impressive in every respect. Kivi-Pekka 7 has a wide lifting drum that allows you to clear large areas easily and efficiently. The largest stone tank in the range adds to its performance.

Kivi-Pekka 7 features include stone hopper volume of 5 m<sup>3</sup> (6,5 yd<sup>3</sup>), working width of 7 m (23') and maximum stone size of 50 cm (20") diameter. The model 7 has Flex Drum stone hopper as a standard accessory. The lifting drum is widened, and it now has 33 tines. All tine sizes give way sideways to prevent blockages. No backwards rotation is hence required. The 13x50 Flex Drum tine is particularly durable and contributes to extended maintenance intervals. All tines are fitted with auxiliary springs and suspended with rubber buffers. The standard tipping height is 2.9 m/115 in.

**Weight** 6540 kg (14 420 lbs)  
**Working width** 700 cm (23 ft)  
**Stone size** Flex drum 3,5–50 cm (1,4–20")  
**Output** 1500 kg/min (3300 lb/min)  
**Stone hopper volume** 5 m<sup>3</sup> (6,5 yd<sup>3</sup>)  
**Tyre size with bogie** 560(22in)/60-22.5  
**Power requirement** 100 hp  
**Hydraulics** 20 l oil/min (5.3 gal/min)  
**Running speed** 1–6 km/h (0,6–3,7 mph)  
**Lifting drum tines** 33 pcs  
**Tipping height** 290 cm (115")





# KIVI-PEKKA STONE PICKERS



## LOW TRACTOR REQUIREMENTS

- 60 HP
- 1 Hydraulic output
- PTO axle

# NEW

## KIVI-PEKKA 3,3

Kivi-Pekka 3.3 meter (10,8") stone picker is the latest addition to the Kivi-Pekka rock picker family. In addition to traditional cultivation, the machine is developed for special cultivation and landscaping. Kivi-Pekka 3.3 is a very efficient machine in its size group. It is agile to operate, transport and maintain.

Huge capacity with 2 meter (6,5') wide lifting drum and 5 m<sup>3</sup> (6,5 yd<sup>3</sup>) large stone hopper

The machine has a lifting drum up to 2 meters (6,5') wide, from which the stones are picked inside the machine. On the sides of the lifting drum are simple s-spike rotors that guide the stones to the center of the machine. The lifting drum uses Kivi-Pekka's strong tines, which take in stones up to 35 centimeters (13,7") in diameter. The working width of the machine is 3.3 meters. The stone tank has a large volume of 5 cubic meters (6,5 yd<sup>3</sup>). The machine is able to collect 900 kilograms (2000 lbs) of stones per minute.

The power requirement of the machine is modest. As its drawbar weight is less than 1000 kg (2200 lbs), a tractor with 60 horsepower with a single-acting hydraulic output is sufficient to pull Kivi-Pekka 3.3. Thanks to drawbar mounting the machine will

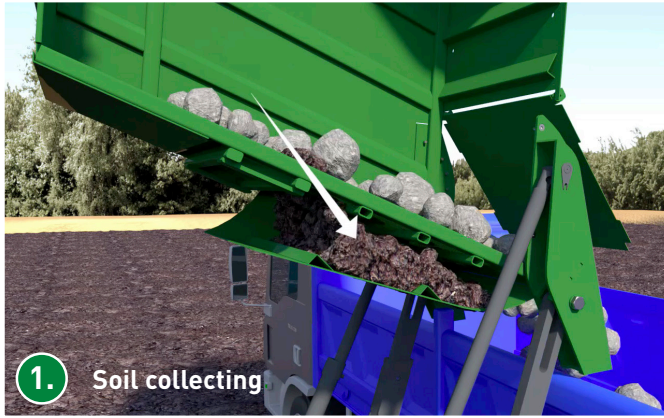
turn agilely in narrow places. The drawbars also ensure an accurate working depth. The tipping height is 210 centimeters (78"), so the stones can be easily tipped on a truck. The machine needs only one hydraulic block for tipping. The low and sturdy structure of the machine ensures safe tipping even on an uneven ground.

The Kivi-Pekka 3.3 hopper has a same kind of soil box as in larger models of Kivi-Pekka. Soil box ensures that the stones are cleaned during the tipping phase and the soil ends up in the field.

- Weight** 3490 kg (7700 lbs)
- Working width** 330 cm (10.8 ft)
- Stone size** 2,5-35 cm Ø (1-13,7 in)
- Output** 900 kg/min (2000 lbs/min)
- Stone hopper volume** 5 m<sup>3</sup> (6,5 yd<sup>3</sup>)
- Tyre size** 380(15 in)/85x24
- Power requirement** 60 hp
- Hydraulics** 20 l/min (5.3 gal/min)
- Running speed** 1 – 6 km/h (0,6–3,7 mph)
- Lifting drum tines** 53 pcs
- Tipping height** 210 cm (78 in)



# KIVI-PEKKA



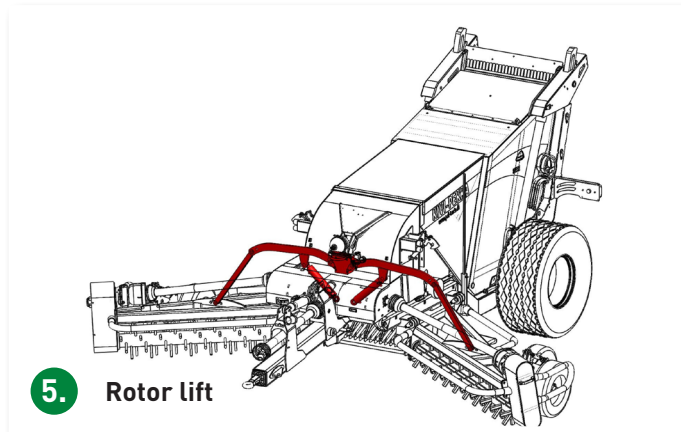
1. Soil collecting

The back of the machine is grated which cleans the dirt from the rocks when the container is dumped. This allows the rocks to be used for landscaping, construction or road construction.



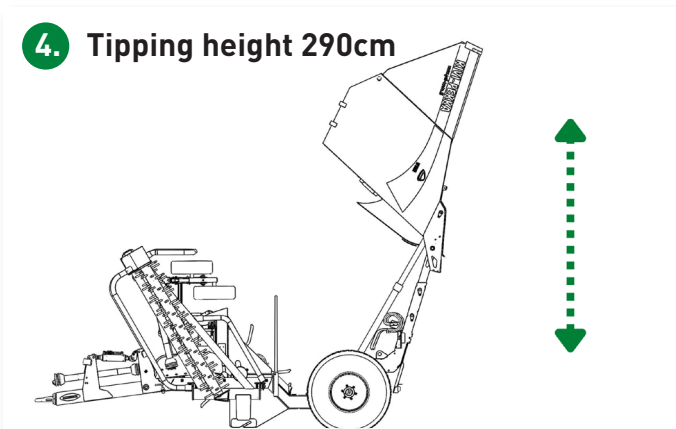
2. The sieve

The welded sieve is made of special-alloy steel and is available with different spacings. The tines run between the sieve bars the entire length, thus keeping the sieve clean and preventing jamming of rocks.



5. Rotor lift

The lifting action is achieved with a hydraulic cylinder, which raises the rakes simultaneously. Mechanical locks secure them into the top position. The operator is able to position the picker in working or transport position from the cab.



4. Tipping height 290cm

Tipping height is 290 cm (115") so emptying the stone container to larger trailers is easy. The lifting action is achieved with a hydraulic cylinder, which raises the rakes simultaneously. Mechanical locks secure them into the top position. The operator is able to position the picker in working or transport position from the cab.



## STANDARD ACCESSORIES:

- Rotor lift
- Soil container
- Sieve (in cultivation direction)
- Tyres 560 (22")/60x22.5
- Bogie tyre size 560 (22")/60x22.5, standard only in Kivi-Pekka 7 model
- Walking tandems on rakes for Kivi-Pekka 4, 5, 6 and 7 meter models
- Tipping height 290 cm (115")
- Hydraulic working depth adjustment
- Strong tines and auxiliary tines 12x45 (0,47"x1,77") mm
- Towing hook fastening
- All PTO shafts

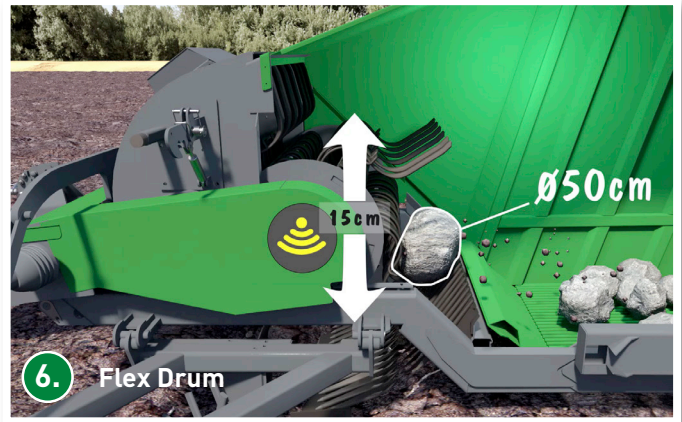


# STANDARD AND OPTIONAL ACCESSORIES



3. ISOBUS controller

The stone picker equipped with Isobus control measures the working depth with an ultrasonic sensor and adjusts the depth automatically. If the stones get jammed, the machine automatically relieves the rotors and raises the Flex Drum lifting drum.



6. Flex Drum

The lifting drum's power transmission is mounted along the drum frame, allowing the frame and the entire lifting drum to yield upwards, which makes it possible to lift stones 50 cm in diameter.



7. Rotation guard

When operated in dusty conditions, the rotation guard monitors the operation of the rotors, the lifting drum and the main drive PTO shaft with sensors. An auditory alarm in the tractor cab alerts the operator if any of these stops turning.

## OPTIONAL ACCESSORIES:

- Flex Drum with extra-strong tines 13x50 (1/2"x2")
- Rotation guard
- Pneumatic brakes
- 1-circuit hydraulic brakes
- Ball coupling
- Tyres 700(28")/50R26,5 Nokian ELS
- Bogie 500(20")/55-20
- Bogie 710(28")/40R22,5 BKT Kivi-Pekka 7 only
- Working level indicator
- Toolbox



8. Extra strong tines and auxiliary springs (Flex Drum) 13x50

All tine sizes give way sideways to prevent blockages. No backwards rotation is hence required. The 13x50(1/2"x2") Flex Drum tine is particularly durable and contributes to extended maintenance intervals. All tines are fitted with auxiliary springs and suspended with rubber buffers.



## TECHNICAL DATA

	Kivi-Pekka 3,3	Kivi-Pekka 4	Kivi-Pekka 5	Kivi-Pekka 6	Kivi-Pekka 7
Working width, cm(lb)	330 (10.8')	400 (13')	500 (16.5')	600 (20')	700 (23')
Weight, kg(lb)	3490 (7700)	4300 (9 500)	5300 (11 700)	5400 (11 900)	6540 (14 420)
Stone size, cm(in) Ø	2,5-35 (1-13,7)	2,5-35 (1-13,7)	2,5-35(1-13,7) (Flex Drum 50 (20"))	2,5-35(1-13,7) (Flex Drum 50 (20"))	Flex Drum 3,5-50 (1,4-20")
Output, kg/min (lb)	900 (2000)	700 (155 0)	1000 (2200)	1200 (2650)	1400 (3300)
Stone hopper volume, m³(yd³)	5 (6,5)	3 (3,9)	3 (3,9)	3 (3,9)	5 (6,5)
Tire size	380/85x24	560/60x22.5	560/60x22.5	560/60x22.5	560/60x22.5 bogie
Rotor support wheels		195 x 14 bogie	195 x 14 bogie	195 x 14 bogie	195 x 14 bogie
Power requirement, hp	60	70	80	80	100
Oil demand, l(gal)/min	20 (5,3)	20 (5,3)	20 (5,3)	20 (5,3)	20 (5,3)
Running speed, km/h(mph)	1-6 (0,6-3,7)	1-6 (0,6-3,7)	1-6 (0,6-3,7)	1-6 (0,6-3,7)	1-6 (0,6-3,7)
Lifting drum tines, pcs	53	18	28	28	33



## QUALITY FROM FINLAND

PEL-tuote premises are located in the rocky fields and rolling terrain of Eastern Finland. These conditions create a demanding test environment for the machinery.

The durability of the machine has been achieved as a result of progressive product development over the past 35 years. The right materials and the best components keep running costs low. Kivi-Pekka stone pickers are being sold and used in over 50 countries.

The stone picker is tailored exactly to your needs.  
Choose the best solutions for you by comparing features such as working width and equipment.



[www.pel-tuote.fi](http://www.pel-tuote.fi)

**PEL-Tuote Oy**  
Seppälänsalmentie 181  
FIN-58900 Rantasalmi  
FINLAND

**EXPORT**  
**Mikko Lappalainen**  
[mikko.lappalainen@pel-tuote.fi](mailto:mikko.lappalainen@pel-tuote.fi)  
mob: +358 40 550 8115