



AgriSpread

XTEND



BULK FERTILISER TENDER

INCREASED CAPACITY FOR LINKAGE MOUNTED SPREADERS

The XTEND is a bulk product trailed fertiliser tender utilised with independent OEM tractor linkage mounted spreaders thereby increasing the product holding capacity and retaining the optimum features of the mounted spreader.

It increases the productivity of limited capacity small linkage spreaders, which allows farmers & contractors to maximise their existing mounted spreaders regardless of their control type (PTO/Hydraulic & ISOBUS) and is compatible with most mounted linkage spreader model types & makes.

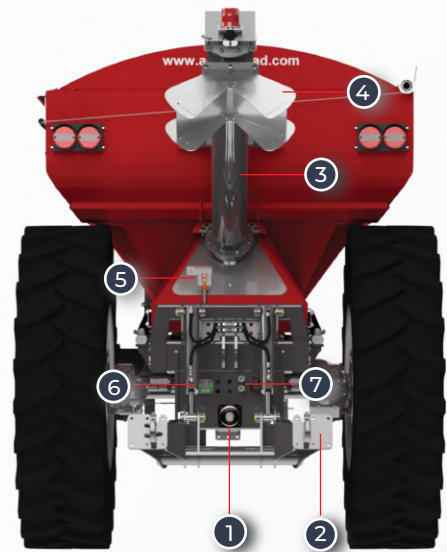
Featuring a hydraulically driven, electrically controlled 204mm steel flighted auger that transfers fertilisers & seeds via a large, tapered hopper into a rear mounted linkage spreader or suitable seeding equipment.

Deployed as a dedicated tender unit stationary at side of field, especially in wet field conditions or more commonly in-field as a complete large capacity high-speed spreading system. Overall enhancing the scope of basic, advanced, small or large, older or new linkage spreaders for increased productivity and lifespan.

The XTEND is also suitable for operations with drills, planters, seeding and grain handling equipment where compatible by supplying/delivering bulk seeds or grains.

TECHNICAL HIGHLIGHTS

- + Steering axle optional: subject to track width centres & wheel sizes. This follows the tractors wheel tracks in tram lines, limiting crop damage when turning at headlands and corners.
- + 7.8 m³ hopper level to 9.3 m³ heaped +/- capacities (depending on filling and product bulk density).
- + Rapid variable speed filling of most sizes, makes and models of linkage spreader units.
- + Maximum linkage gross weight of 4,000kg.
- + Drive Systems : PTO Mechanical and/or Hydraulic.
- + Balanced weight distribution.
- + High Ground Clearance.



SIDE VIEW

- 1 HYDRAULIC DRAWBAR SUSPENSION - ADJUSTABLE
- 2 STANDARD WHEELS - VF 650/60 R38 BKT AGRIMAX 2 Mtr TRACK WIDTH
- 3 HOLD BACK ROLL OVER COVER SYSTEM
- 4 LOAD CELLS READ ONLY OR ISOBUS
- 5 FIXED AXLE OR STEERING AXLE
- 6 CAPACITY 9.3 m³ (HEAPED +/-)
- 7 TRACTOR INPUT PTO 540 & 1000 RPM

REAR VIEW

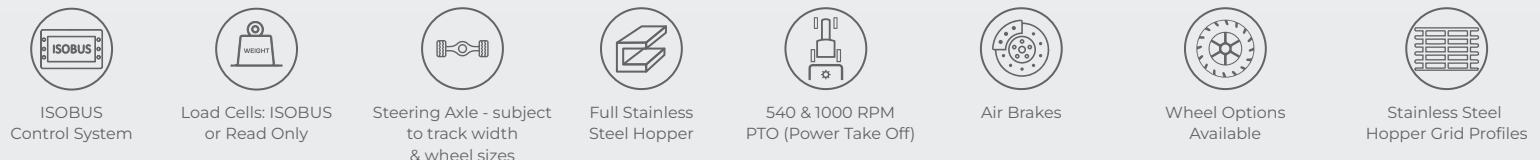
- 1 MOUNTED SPREADER INPUT PTO 540 & 1000 RPM
- 2 REAR HYDRAULIC THREE-POINT LINKAGE
- 3 HIGH-SPEED UNLOADING AUGER
- 4 AUGER OUTPUT FLOW DIVIDER
- 5 EXTERNAL REMOTE LINKAGE CONTROL
- 6 ISOBUS CONNECTOR
- 7 HYDRAULIC REMOTE SERVICES

PRECISION SPREADING EQUIPMENT

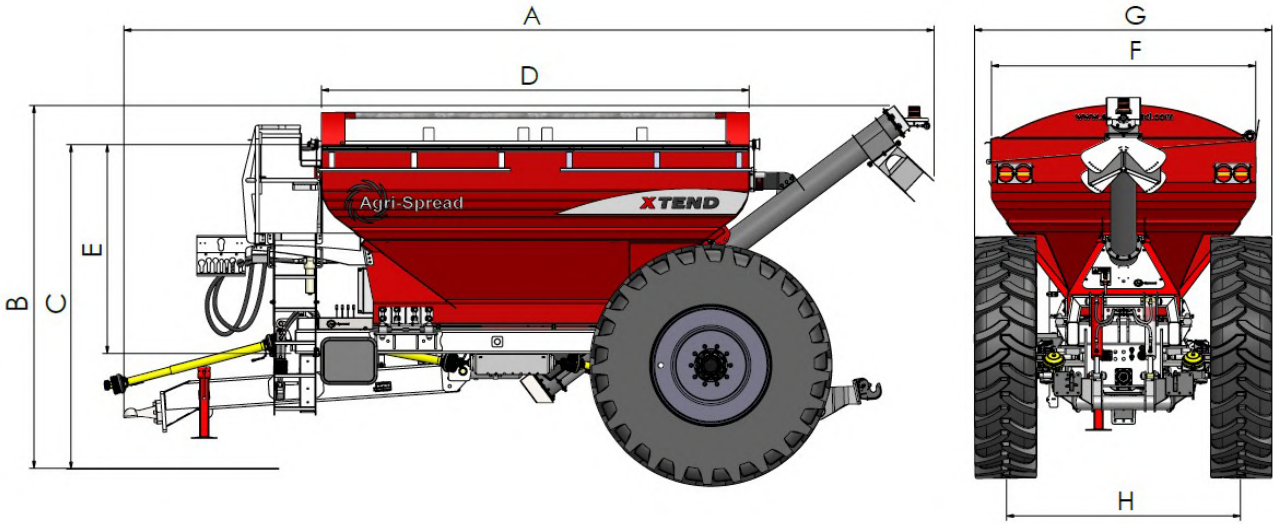
STANDARD



OPTIONAL



	XTEND		XTEND	
	650/60 R38		520/85 R46	
	mm	ft/in	mm	ft/in
(A) OVERALL LENGTH	6,880	22' 7"	6,880	22' 7"
(B) OVERALL HEIGHT	3,080	10' 1"	3,200	10' 6"
(C) LOADING HEIGHT	2,750	9' 0"	2,870	9' 5"
(D) INTERNAL LENGTH	3,625	11' 11"	3,625	11' 11"
(E) INTERNAL HEIGHT	1,740	5' 8"	1,740	5' 8"
(F) INTERNAL WIDTH	2,230	7' 4"	2,230	7' 4"
(G) OVERALL WIDTH	2,630	8' 7"	2,540	8' 4"
(H) TRACK WIDTH CENTRE	2,000	7' 9"	2,000	7' 9"



XTEND	STANDARD SPECIFICATION	OPTIONS
AXLE	2MTR TRACK WIDTH CENTRES	3MTR TRACK WIDTH CENTRES
STEERING AXLE OPTION	FIXED AXLE	ACTIVE STEERING AXLE 28 DEG
MIN TRACK WIDTH STEERING ANGLE	1.83MTR @16 DEGREES (650/60 R38)	1.83MTR @22 DEGREES (520/85 R46)
BRAKES DRUMS	420X180MM	420X180MM
BRAKES	HYDRAULIC	AIR/HYDRAULIC OR AIR ONLY
AXLE	150 X 150 SQUARE - 10 STUD	
WHEELS	VF 650/60 R38 BKT AGRIMAX 173D DIA 1,745MM	520/85 R46 BKT AGRIMAX RT855 173A8 DIA 2,052MM
THREE POINT LINKAGE LIFT CAPACITY	4,000 KG GROSS WEIGHT	
DRAWBAR SUSPENSION	HYDRAULIC DRAWBAR	
CHASSIS	DOUBLE CHASSIS	
AUGER & RATE	203MM (8 INCH) 1,000KG PER MIN	
LOAD CELLS		ISOBUS LOAD CELLS OR READ ONLY
ACCESS	LADDER AND OPERATOR PLATFORM	
AUGER	ELECTRICAL CONTROL - IN CAB	
TRACK WIDTH CENTRES	2MTR TRACK WIDTH CENTRES	1.83 MTR TO 3 MTR
DRIVE/PTO OPTION	540/1000 RPM PTO - WATERSCHEID - WIDE ANGLE JOINT	HYDRAULIC DRIVE - TRACTOR SCV'S
INTERNAL GRIDS		STAINLESS STEEL PROFILE GRIDS
HOPPER	4MM MILD STEEL	4MM STAINLESS STEEL
LIGHTING	STROBE AMBER BEACON AND LED TAIL LIGHTS	REAR WORK LIGHTS X 2
CAMERA	REAR FACING CAMERA & MONITOR	
CAPACITY - HOPPER LEVEL 1	7.8 M3 +/-	
CAPACITY - HEAPED 30 DEG 1	9.3 M3 +/-	
HOPPER COVER	HOLD BACK ROLL OVER COVER	HYDRAULIC COVER
WEIGHT - UNLADEN	4,160 KG	

Note 1: Capacity varies according to the density of material. Density of 1000 kg/m³ has been assumed for fertiliser respectively.

Note 2: Loading heights vary depending on the wheel specification and optional load cells.

*** Agri-Spread reserves the right to modify or change designs, features, functionality, options & other product specifications without notice or obligation.

*** Agri-Spread makes no warranty, representation or guarantee regarding the suitability of its machine products to discharge all possible fertilisers and bulk products.