

# 产品规格书

## PRODUCT APPROVAL SHEET

客户名称:			
CUSTOMER:			
贵司制品名:	我司制品名:	低压回路测控终端	
CUSTOMER PN:	PRODUCT PN:	Low Voltage Circuit Measurement and Control Terminal	
贵司规格:	我司规格:	TFY-CSB-JL-500A	
PRODUCT CODE:	PRODUCT CODE:		
贵司料号:	我司规格书编号:	TFY-CSB-JL-500A	
CUSTOMER NO.	PRODUCT NO.		
<input type="checkbox"/> 新品承认	批准 APPROVAL:  PLB  日期 Date: 2021/10	审查 CHECK:  ZMY  日期 Date: 2021/10	设计 DESIGN:  WYD  日期 Date: 2021/10
<input type="checkbox"/> NEW APPROVE			
<input type="checkbox"/> 规格变更再承认			
<input type="checkbox"/> CHANGE CODE APPROVE AGAIN			
<input type="checkbox"/> 材料变更再承认			
<input type="checkbox"/> CHANGE MATERIAL APPROVE AGAIN			
贵司承认栏 APPROVAL SIGNATURE			
贵司印章 Company seal			
确认人:		联系电话:	
请于          年          月          日前承认返回, 日期 DATE: PLEASE RETURN TO US AFTER CONFIRMED! THANK YOU!			

地址: 中国浙江宁波慈溪杭州湾新区滨海五路 198 号

Add: No. 198, Binhai Five Road, Hangzhouwan New Zone,  
Ningbo, Zhejiang, Province, China

邮编 (Zip code): 315336

电话(Tel): (86)574-63078969, 传真(Fax): (86)574-63476372

Email: service@cn-tfy.com, Http://www.cn-tfy.com



### 1. Range of Application

Intelligent low-voltage circuit measurement and control terminal is an intelligent sensor of the Internet of Things based on LoRa/4G/NB-IoT technology, which can be widely used in power, energy, transportation, commerce, municipal and other fields of power distribution network monitoring.

### 2. Operating Conditions

2.1 Atmospheric Pressure: 63kPa~106kPa, altitude below 4000m.

2.2 Climate: No gas, steam, chemical deposition, grime that seriously affect the insulation of sensors and other corrosive and explosive medium.

### 2.3 Ambient Temperature and Humidity (Table 1)

Table 1 Range of Ambient Temperature and Humidity

Conditions	Range	Conditions	Range
Ambient operating temperature	-40°C~85°C	Mean Annual Humidity	<75%
Ultimate operating temperature	-40°C~95°C	30 Days (These days are naturally distributed throughout the year)	95%
Ambient storage temperature	-40°C~85°C	Occasional on other days	85%

### 3. Features of Function

**Current transformer self-feeding**

**Multi-parameter monitoring**

**Installment with electricity**

**Wireless communication**

**Dual power supply**

**Low threshold of reflection**

### 4. Structure and Dimensions

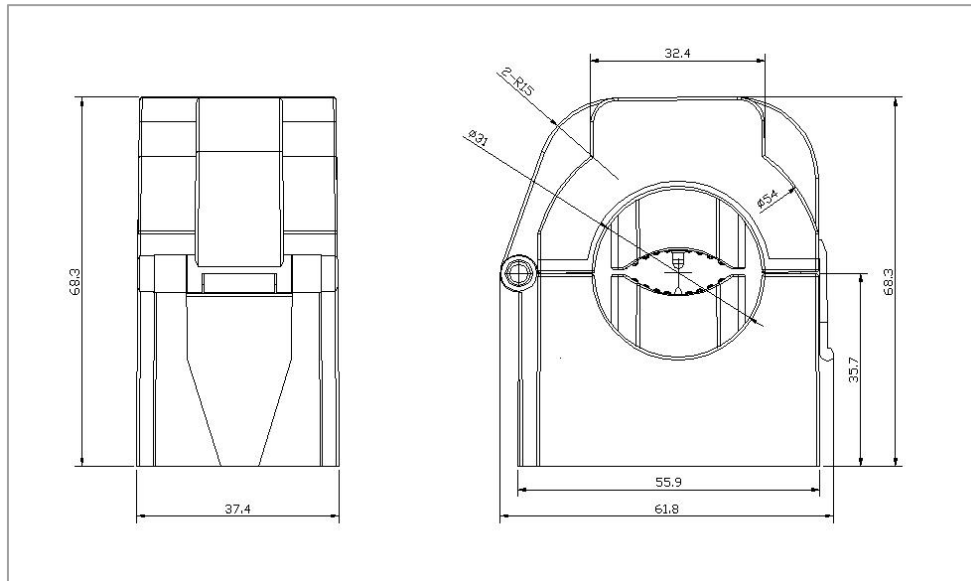


Figure 1 Dimensions

## 5. Electrical Parameter: (Ta=25°C)

Definition		Value
Product Model		TFY-CSB-JL-500A
Range of Application	Outer diameter of the cable under test	φ 6mm- φ 10mm
	Range of rated measuring current	500A (50HZ)
	Voltage class	0.4kV
Parameters of temperature measurement	Range of temperature measurement	0~20
	Accuracy of temperature measurement	±1°C
Parameters of current	Max measured current	600A
	Accuracy of measured current	≤1%FS
Wireless parameter	Communication mode	LoRa/4G/NB-Lot

	Radio frequency	433MHz
	Free air	空旷 < 300m
Energy parameter	Main energy source	Power frequency magnetic field (electromagnetic access)
	Min CCA of getting electricity	1A
Other parameters	Installation method	Clip-on
	Protection Class	IP42
	Lifetime	≥10 年
	Weight	≤100g