



**FOR
RESIDENTIAL
USE**



FLUXENSE-SERIER

WIDE RANGE

NO AIR MEASUREMENT

WIRE & WIRELESS COMMUNICATION

**SMART
ULTRASONIC WATER
METER**



Innovation - Driving Force for Progress

Technology-Key to Future

SHENK is a company group of 6 subsidiaries covering a long product chain of soft magnetic material (amorphous & nanocrystalline), parts (core/rotor & stator/terminal/shunt/busbar), components (current transformer/current transducer/common mode choke/inductor/reactor /power transformer), finished product (water meter/electricity meter), software (water & electricity meter reading) and design.

Benefitting from one of our great strength-versatility, SHENK has enough ability to fill various requirements from our customers all over the world and design and produce qualified products for them.

Our wide range of high-quality and cutting-edge soft magnetic materials, parts, components, finished products enable us to supply sufficient power to customers and partners in various field of electricity(current transformer), wind & solar energy (inverter), automation equipment (converter & UPS), EV (inductor & EMC), rail traffic (power transformer), telecommunication (current transducer), military(reactor), medical equipment, utility(water & electricity meter)etc.

On 1985 starting our journey as a small individual workshop in a small village, SHENK has grown into a companies-group then operate on a basis:

- 6 subsidiaries
- 1000 employees
- 100 million USD (annual turnover)

Smart Ultrasonic Water Meter

Water is precious resource and water loss as huge challenge to human is getting more and more critical. SHENK's smart water meter-**FLUXENSE** series with cutting-edge ultrasonic technology becomes a good solution to this situation.

With no moving parts, the meter maintains stable and long-lasting precision, and makes itself immune to partial in water. As full electronic static water meter, **FLUXENSE** eliminates mechanical wear and gains outstanding sensitivity to low flow (2L/h) that ensures very last drop of water getting accurately registered which also secures fair and correct billing, and further reduces non-revenue water.

By combination of long lifetime (up to 12 years), wire or wireless communication and low operating cost, **FLUXENSE** is the unique choice for utilities to support efforts on water conservation, reliable customer service and operational efficiency.

FEATURE

- > No mechanical wear
- > Small start-flow rate
- > Smart alarms-leakage, burst, dry and reverse flow
- > various communication methods-LoRaWan, NB-IoT, WMbus, Pulse Output
- > Lifetime-12 years
- > Installation in any position
- > IP68

BENEFIT

- > High precision, no loss of accuracy overtime
- > Measure every water drop, detect leakage
- > Prevent damage, reduce water loss, secure fair and correct billing
- > Eliminate manual meter-reading, minimize operation cost
- > Very cost-effective choice
- > Horizontal, vertical or inclined
- > Adapt different installation condition(pit)

OUTSTANDING PERFORMANCE

With excellent measurement performance, **FLUXENSE** represents the latest ultrasonic technology and brings more benefits to utilities and consumers all over the world.

- >> R400
- >> U0/D0
- >> T50
- >> No measurement of air
- >> Installation in any position

Technical Data

DN15

DN20

METROLOGICAL

Nominal Flow (Q3)	2.5 m ³ /h	4.0 m ³ /h
Start Flow	2.0 L/h	2.0 L/h
Dynamic Range	R400	
Accuracy	Class2	
Calming Section	U0&D0	

STANDARD

ISO4064-2017

ENVIROMENTAL

Protection Class	IP68
MAP	16bar
Head Loss	0.40bar@Q3
Fluid Temperature	T50 (0.1~50°C)

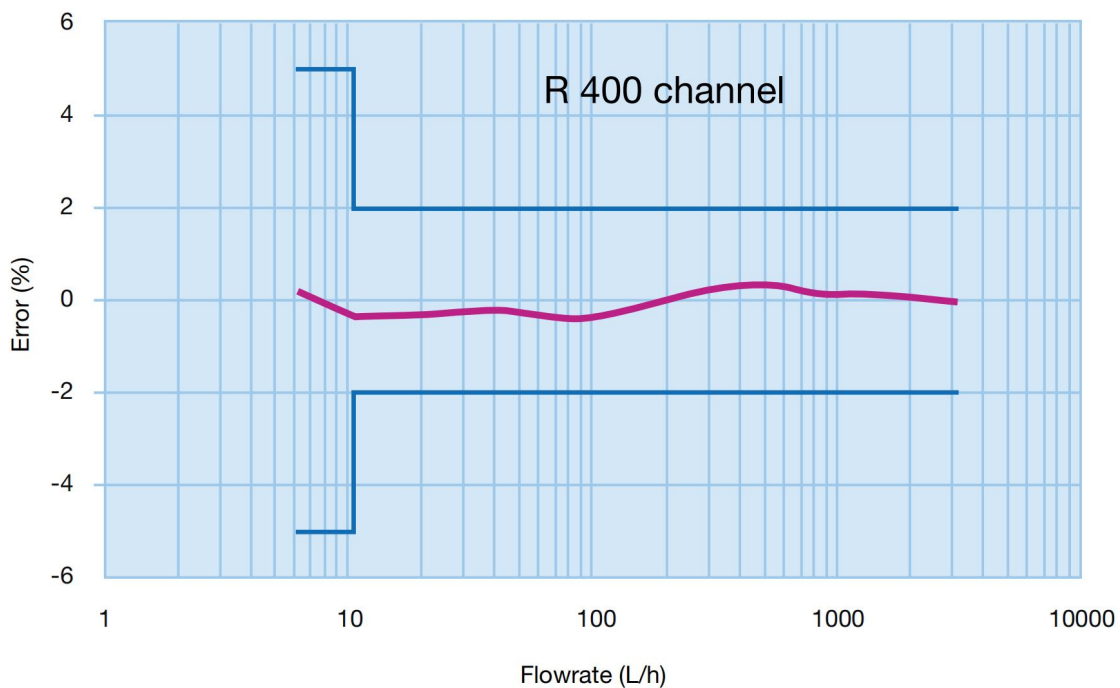
ELECTRICAL

3.6V, Li-battery

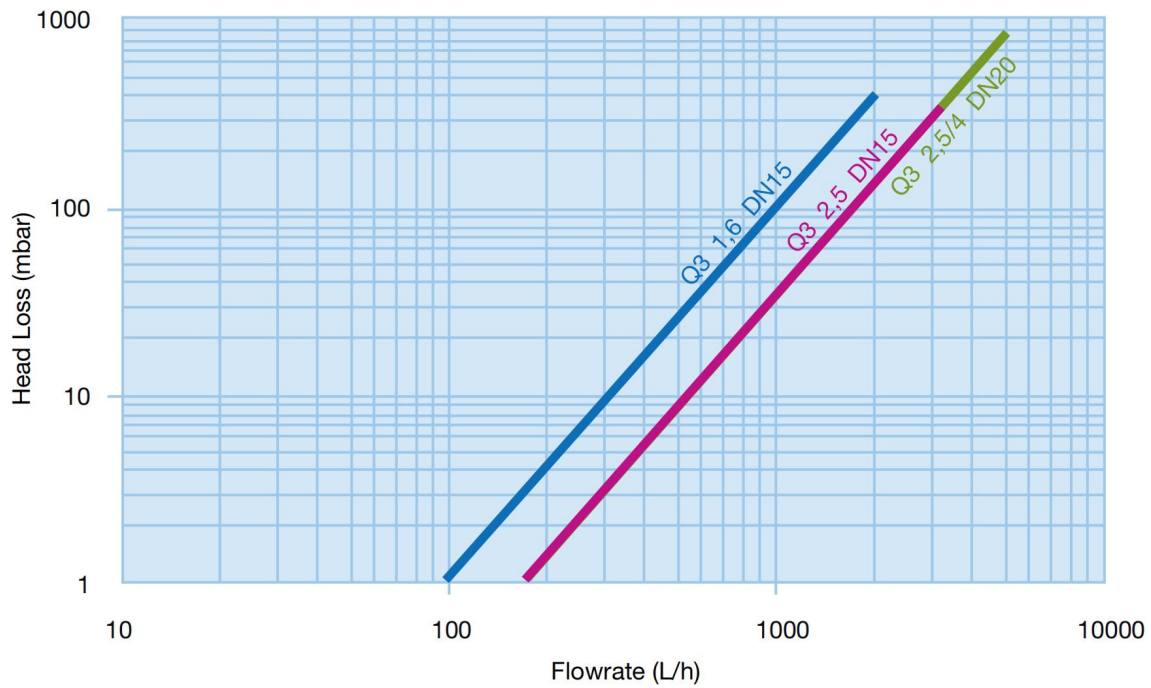
COMMUNICATION

Pulse Output / NB-IoT / LoRa/ LoRaWAN

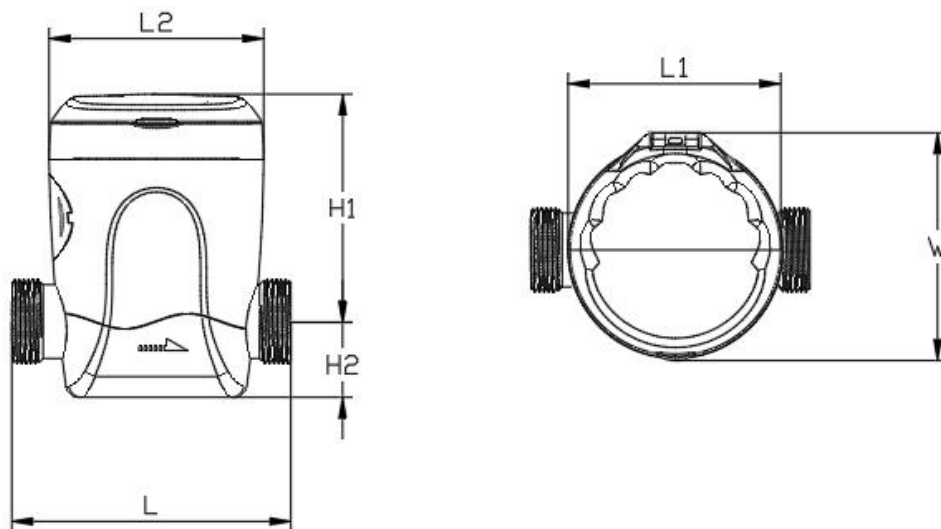
TYPICAL ERROR CURVE



HEAD LOSS CURVE



DIMENSION SKETCH



Size	Tube Material	Tube Length	Cover Length	Height Above Axis	Height Below Axis	Width	Thread
		L/mm	L1-L2/mm	H1/mm	H2/mm	W/mm	BSP
DN15	Brass	110/115/166/170	84	90	30	90	G3/4"
DN20		110/130/190/195	84	90	30	90	G1"

Please log on our website for more information or updated version!



SHENK LTD.

No.369, Shengk Industrial Park, East Fangbei Street, Xinji, Hebei, P.R.C

T: 0086-311-85395819

F: 0086-311-85395888

E: sales@shenk.com.cn

info@shenk.com.cn

www.shenk.com.cn

www.shenkchina.com

