

# ICS-P375

Preliminary

IEC 61850-3 Certified Industrial OT security Power Substation Gateway



## Preliminary Specifications

### Platform

CPU	Intel® Atom® X7835RE/X7433RE/X7211RE
SOM TDP	12W/9W/6W
Chipset	SoC
BIOS	AMI SPI Flash BIOS

### System Memory

Technology	DDR5 up 4800Mhz, IB ECC SODIMM
Max. Capacity	32 GB

### Ethernet

Interface	4x 2.5GbE RJ45 & 2x GbE RJ45/SFP (By SKU)
Speed	10/100/1000 Mbps 10/100/1000/2500 Mbps
Bypass	1 pair Gen3 (LAN1/2, By SKU)

### I/O Interface

Serial	1x RJ45 Console 2x RS-232
Display	1x DP
USB	1x USB 3.2, 2x USB 2.0
Antenna	4x Antenna for 5G Sub6

### Storage

eMMC	On-board eMMC 256GB (SKU AB) 32GB (SKU CDEF)
Onboard Slots	1x M.2 SATA 2242 M-Key

## Features

- Intel® Atom® X7000RE Series Processor
- DDR5 Memory Up to 32GB
- 4x 2.5GbE RJ45, 2x GbE RJ45/ SFP (By SKU)
- 1x Console, 2x RS232, 1x USB 3.2, 2x USB 2.0, 1x DP
- Onboard eMMC Up to 256GB, 1x M.2 SATA 2242 M-key Storage
- Certified to EN 50121-4, IEC 61850-3 & C1D2 standards
- IP50 (Fanless, DIN Rail/Wall/ VESA-mount)

### Expansion

mini-PCIe or M.2	1x M.2 3042/3050/3052 B Key for LTE/5G
SIM Card Slot	Dual Nano-SIM

### Miscellaneous

Watchdog	Yes
Internal RTC with Li Battery	Yes
TPM	TPM 2.0

### Cooling

Processor	Passive CPU Heatsink
System	Fanless

### Environmental Parameters

Temperature	-40°C~70°C
Humidity (RH)	5~90% Operating 5~95% Non-Operating

### System Dimensions

WxHxD	210 x 70 x 190 mm
Weight	TBD
Mounting	DIN Rail mount, IP50

### Power

Type/Watts	up to 30W
Input	24/48VDC

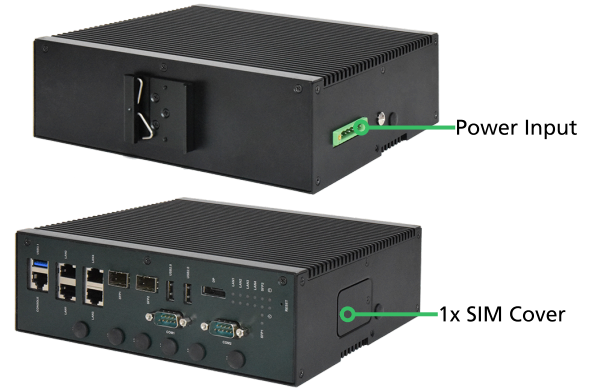
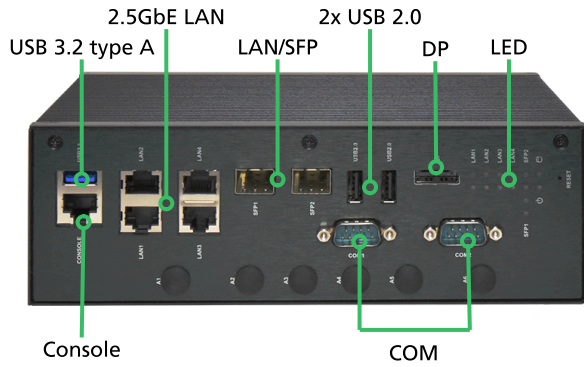
### Driver Support

OS	Windows 10/11 IoT Linux
----	----------------------------

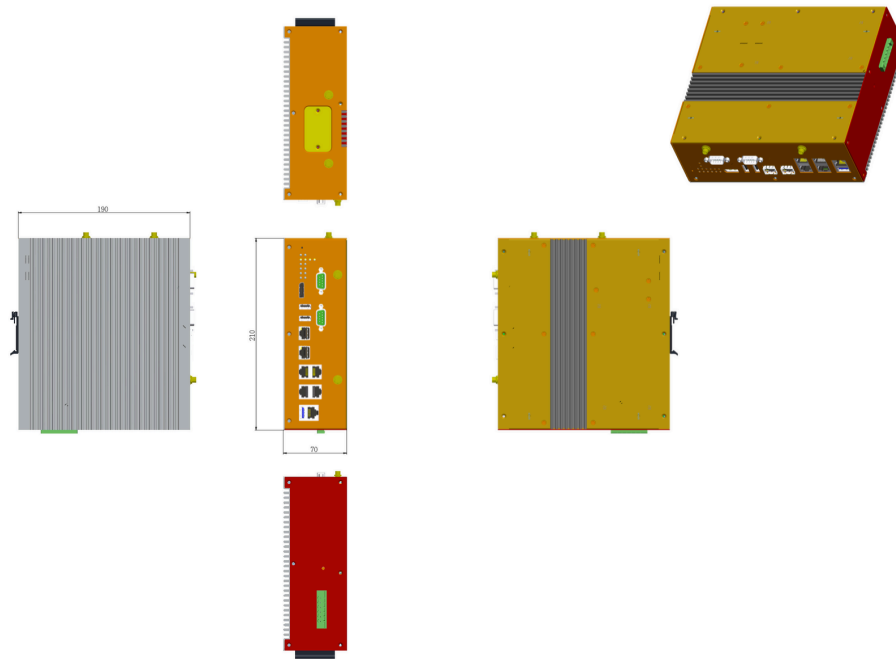
### Certification

EMC	CE/UKCA, FCC Class A, RoHS, MTBF
Safety	EN 50121-4, IEC 61850-3, IEEE 1613, MIL-STD-810H, C1D2, UL+CB

## Product I/O View



**Dimensions (WxHxD): 210 x 70 x 190 mm**



## Ordering Information

SKU	CPU	Memory	Ethernet	I/O	Storage	Power
ICS-P375A	Intel® Atom® X7835RE	DDR5 4800 up to 32GB	4x 2.5GbE RJ45 (1 pair bypass), 2x GbE RJ45	1x RJ45 Console 2 x RS-232 1x USB 3.2 2x USB 2.0 1x DP	eMMC 256GB 1x SATA M.2 2242	DC 24/48V
ICS-P735B	Intel® Atom® X7835RE		4x 2.5GbE RJ45 (1 pair bypass), 1x GbE SFP & 1x 1GbE/100M SFP			
ICS-P735C	Intel® Atom® X7433RE		4x 2.5GbE RJ45 (1 pair bypass), 2x GbE RJ45			
ICS-P735D	Intel® Atom® X7433RE		4x 2.5GbE RJ45 (1 pair bypass), 1x GbE SFP & 1x 1GbE/100M SFP			
ICS-P735E	Intel® Atom® X7211RE		4x 2.5GbE RJ45 2x GbE RJ45			
ICS-P735F	Intel® Atom® X7211RE		4x 2.5GbE RJ45, 1x GbE SFP & 1x GbE/100M SFP			
					eMMC 32GB 1x M.2 SATA 2242 M-key	