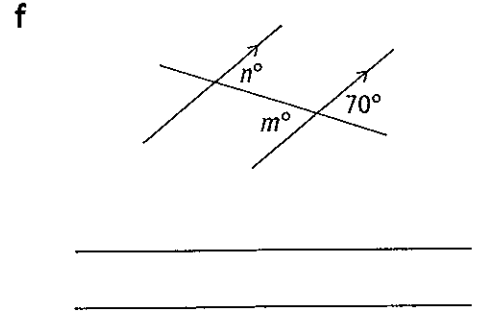
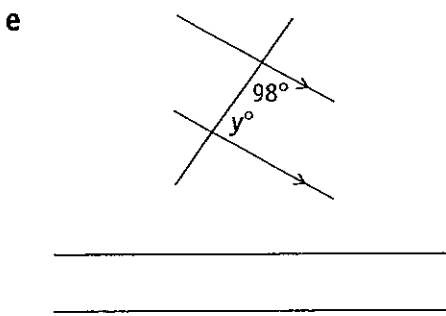
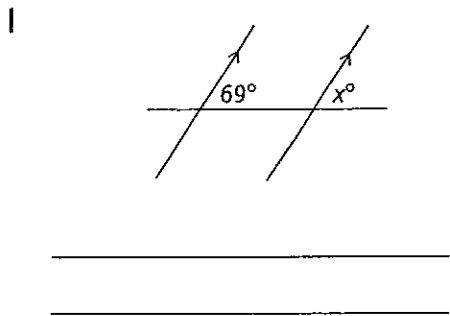
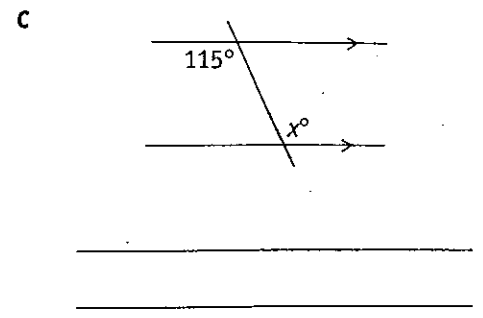
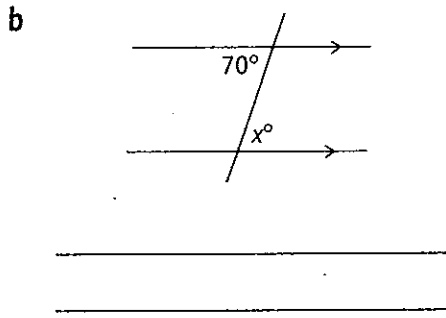
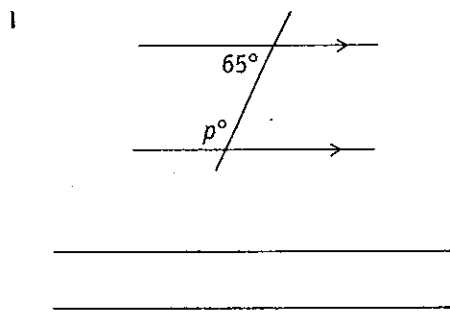


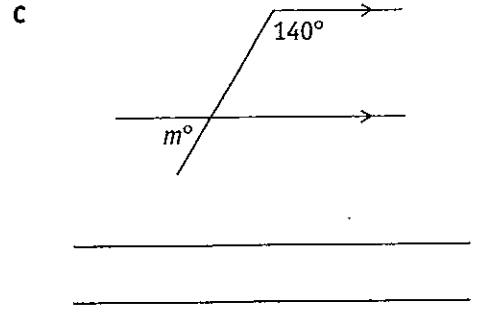
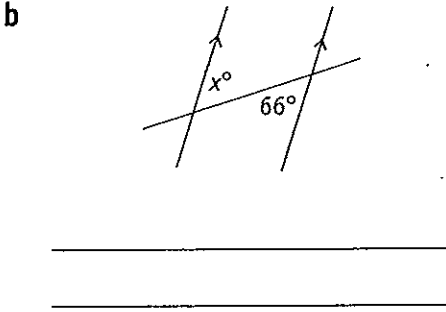
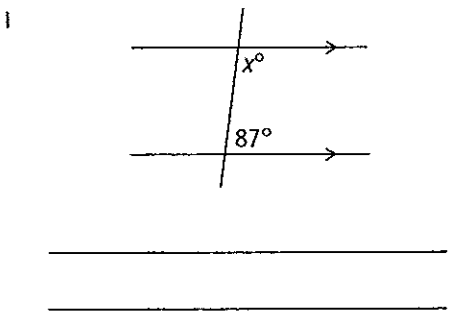


## Parallel lines and angles

**QUESTION 1** Find the value of the pronumeral in each of the following.



**QUESTION 2** Find the value of the pronumeral, giving reasons.



**QUESTION 3** Find the value of the pronumeral, giving reasons.

