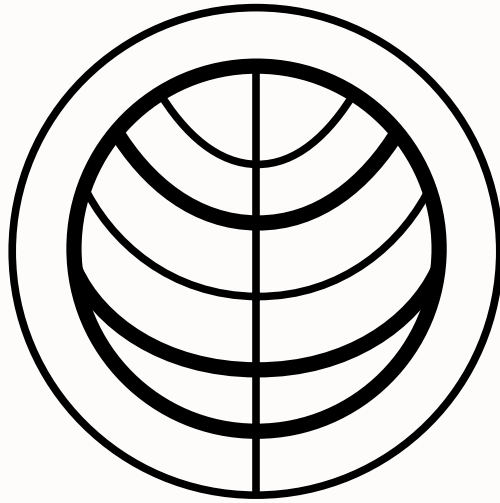


THE  
**ORGANIC**  
COMPANY



# LOOK BOOK

2023 VOL 2



FEEL GOOD

# WHY

It feels good to go organic.  
It feels good to use and reuse good quality products.  
It feels good to do good.



Welcome to our universe, a journey towards a planet in balance by doing better step by step.

## WHY WE ARE HERE

We envision a world where all companies, regardless of size, take social, environmental and financial responsibility throughout the entire value chain.

That is why we are a B CORP certified company that offers 100% GOTS certified organic cotton to all people who are looking for delightful, sustainable products of high quality. We want our products to last as long as possible, so that they can be passed on. Therefore we develop our products to be used again and again.

This is the way we make a small difference every day. One quality item at a time. We believe in the human ability to change and we believe in the future.

That's why we are here.

Sincerely,

**The Organic Company**

## ABOUT US

- 003 Why
- 006 We are B Corp certified
- 007 GOTS certified organic
- 008 Functional design
- 114 Find us

## REUSABLES



- 012 Dinner napkins
- 013 Everyday napkin
- 014 Urban kitchen cloth
- 015 Kitchen cloth
- 026 Tea bag set
- 027 Lunch bag
- 028 Food bag
- 029 Food bag set
- 032 Zero waste basic kit
- 057 Big waffle makeup pads
- 074 My organic bag
- 076 Netbag
- 077 Net shoulder bag
- 088 It matters bag
- 090 All purpose bag set
- 091 Gift wrapping set

## KITCHEN AND COOKING

- 012 Dinner napkin
- 013 Everyday napkin
- 014 Urban kitchen cloth
- 015 Kitchen cloth
- 016 Kitchen cloth 3-pack
- 017 Display kitchen cloths
- 020 Kitchen towel
- 021 Gift set I
- 022 Gift set II
- 023 Little towel
- 026 Tea bag set
- 027 Lunch bag
- 028 Food bag
- 029 Food bag set
- 032 Zero waste basic kit
- 036 Mini oven mitts
- 037 Oven mitts
- 038 Oven gloves
- 039 Tea cosy
- 042 Giant kitchen towel
- 043 Apron with pocket
- 044 Creative and garden apron



## BATH AND WELLNESS

- 049 Big waffle towel and blanket
- 050 Big waffle hand towel
- 051 Big waffle large hand towel
- 052 Big waffle gift set
- 053 Big waffle bath mat
- 056 Big waffle wash cloth
- 057 Big waffle makeup pads
- 059 Big waffle bathrobe
- 061 Fine hand towel
- 062 Fine bath towel
- 065 Fine gift set
- 069 Hand hair towel
- 070 Wellness towel

## BAGS AND STORAGE

- 074 My organic bag
- 076 Net bag
- 077 Net shoulder bag
- 081 Big shoulder bag
- 082 Large purse
- 083 Purse
- 086 Pencil case
- 087 Laundry and storage bag
- 088 It matters bag
- 089 Big long bag
- 090 All purpose bag set
- 091 Gift wrapping set

## RELAX AND MEDITATION

- 096 6-layer soft blanket
- 097 Relax and meditation cushion
- 098 Meditation mattress to go
- 099 Meditation mattress

## CARE AND REPAIR

- 104 Mending kit
- 105 Mending tool kit
- 106 Washing bag set

## LOOK AND FEEL

- 111 Seasonal colours
- 112 POS material

# WE ARE B CORP™ CERTIFIED

## *WE ARE NOW A CERTIFIED B CORPORATION*

We are proud to share this news with you. We have been through a long and detailed process to become a Certified B Corporation.

The B stands for 'Benefit for all'. The B Corp Certification is holistic, not exclusively focused on a single social or environmental issue. And the process to achieve and maintain the certification is profound.

In combination with our GOTS certification it's a complete and holistic set of certifications that show our high level of responsibility throughout the value chain as well as our focus on organic production, social responsibility and transparency.

## Certified



---

## Corporation

# GOTS CERTIFIED ORGANIC

When producing our products it is crucial for us to make sure that we produce at nobody's expense. This being both people and the environment - nobody should suffer.

That is why we carefully choose our suppliers and only work with GOTS certified suppliers. The standard not only complies with environmental criterias it also secures ethical treatment of the workers from the farmer to the sewing house.

*"GOTS is the world's leading textile processing standard for organic fibres, including social and ecological criteria, backed up by independent third-party certification of the entire textile supply chain."*

*GOTS positions itself as a voluntary standard, which does not aim at maximising profits, but at enhancing people's lives along supply chains and the environmental state of our planet." - Quote GOTS*



# FUNCTIONAL DESIGN

## WHY IS FUNCTIONAL DESIGN IMPORTANT TO US?

When designing our products, attention to detail and great functionality is key to creating LONG LASTING quality products.



An example of this is our kitchen towel.

Organic herringbone cotton weave



great absorbency, will actually dry your dishes

We have added extra straps



flexibility on where and how to hang

Strengthened stitching on straps



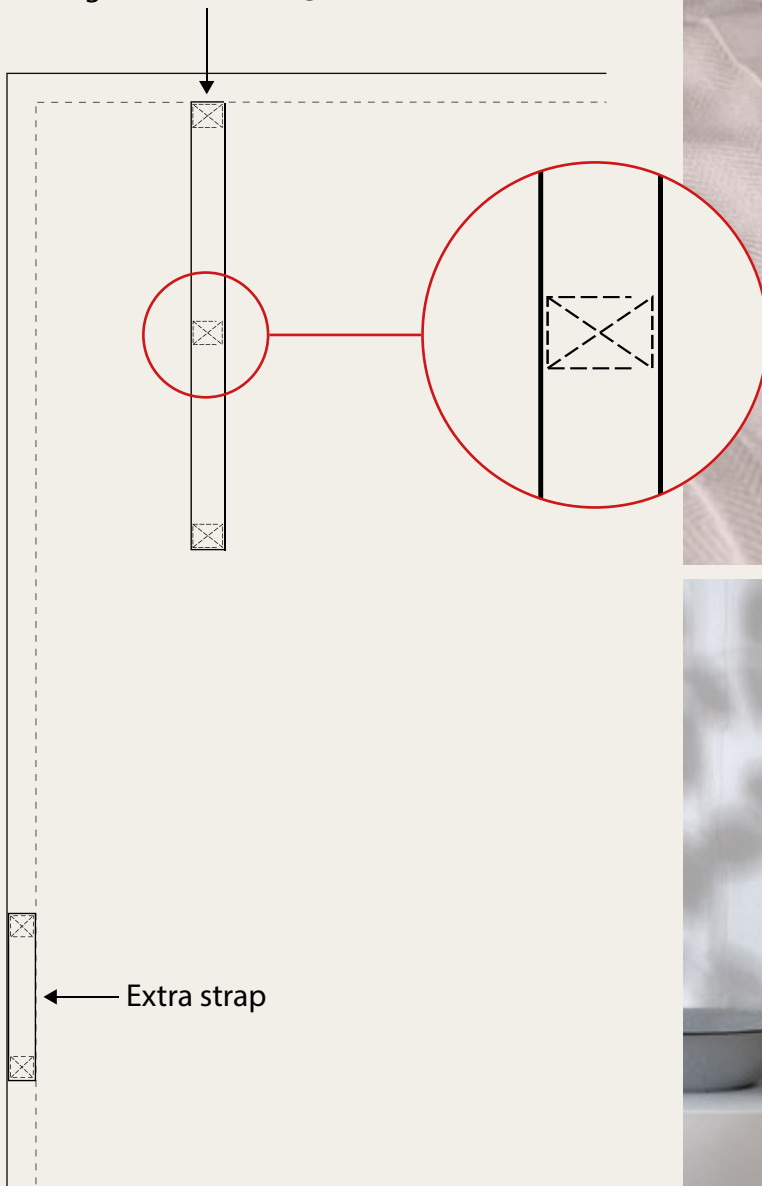
long lasting, it's (almost) impossible to tear apart

It is the small things that make the difference. Something we keep in mind when designing all our products.

Our kitchen towel has even won "best in test" twice.

# KITCHEN TOWEL DETAILS

Strengthened stitching for securing straps



Our fabrics are made of  
GOTS certified organic  
cotton

- because we believe it  
to be a responsible way  
of producing cotton in  
a world in desperate  
need of change



# KITCHEN AND COOKING





# DINNER NAPKINS

serviet  
 stoffserviette  
 serviette



Millions of trees every year are used for single-use purposes. Amongst other, as paper towels and paper napkins. Let's reuse much more.

Our Dinner napkin is designed as a practical and nice piece to replace disposable paper in many everyday situations.

What is your choice?

Comes in a box with four napkins.

<b>Style no.</b>	1134
<b>Size</b>	35 x 40 cm / 13.8 x 15.7", box of four pieces
<b>Weaving</b>	Herringbone
<b>Material</b>	100% GOTS certified organic cotton
<b>MOQ</b>	8 boxes of 4 napkins

	RRP
<b>DKK</b>	195,-
<b>EUR</b>	27.90
<b>NOK</b>	295,-
<b>SEK</b>	295,-
<b>GBP</b>	25.00
<b>USD-L</b>	36.00
<b>CAD-L</b>	46.00



**natural white**  
no. 200



**stone**  
no. 202



**clay**  
no. 225



**dark green**  
no. 400



**dusty mint**  
no. 410



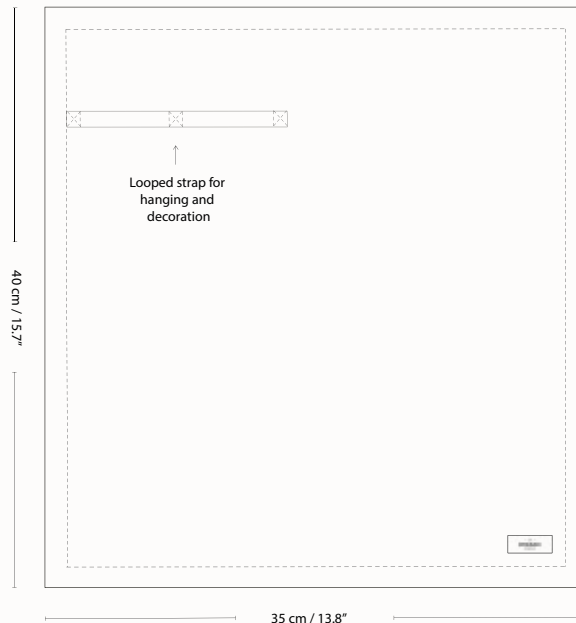
**grey blue**  
no. 510



**dark blue**  
no. 500



**dark grey**  
no. 110



# EVERYDAY NAPKIN



serviet  
 stoffserviette  
 serviette

Millions of trees every year are used for single-use purposes. Amongst other, as paper towels and paper napkins. Let's reuse much more.

Our Everyday napkin is designed as a practical and nice piece to replace disposable paper in many everyday situations.

What is your choice?

Comes in a box with four napkins.

**Style no.** 1073  
**Size** 20 x 20 cm / 7.9 x 7.9", box of four pieces  
**Weaving** Herringbone  
**Material** 100% GOTS certified organic cotton  
**MOQ** 8 boxes of 4 napkins

RRP  
**DKK** 175,-  
**EUR** 24.90  
**NOK** 270,-  
**SEK** 270,-  
**GBP** 22.00  
**USD-L** 32.00  
**CAD-L** 39.00



**natural white**  
 no. 200



**pale yellow**  
 no. 210



**khaki**  
 no. 215



**stone**  
 no. 202



**clay**  
 no. 225



**dark green**  
 no. 400



**dusty mint**  
 no. 410



**grey blue**  
 no. 510



**dark blue**  
 no. 500



**dark grey**  
 no. 110



**maroon**  
 no. 390



**dusty lavender**  
 no. 340



**earth color mix**  
 no. 901



# URBAN KITCHEN CLOTH



karklud  
abwaschtuch  
serviette de invitée

The Urban kitchen cloth is designed for urban citizens and their kitchens.

Customized in size for tighter urban spaces.

Set of three pieces for easy and frequent change.

Woven in our absorbent, fast drying and unique pique weave, like our best-selling and larger-sized classic kitchen cloth awarded 'Best in Test'.



khaki stone  
no. 216



clay stone  
no. 226



grey blue stone  
no. 511



evening grey  
no. 111



morning grey  
no. 180



<b>Style no.</b>	1164
<b>Size</b>	18 x 35 cm / 7.1 x 13.8"
<b>Weaving</b>	Piqué
<b>Material</b>	100% GOTS certified organic cotton
<b>MOQ</b>	4 sets of 3 pieces

	RRP
<b>DKK</b>	105,-
<b>EUR</b>	14.90
<b>NOK</b>	155,-
<b>SEK</b>	155,-
<b>GBP</b>	13.00
<b>USD-L</b>	20.00
<b>CAD-L</b>	26.00



# KITCHEN CLOTH



karklud  
abwaschtuch  
serviette de invitée

Use this kitchen cloth to wipe away water and crumbs from your table and counter top. Also a great cloth for cleaning around the house.

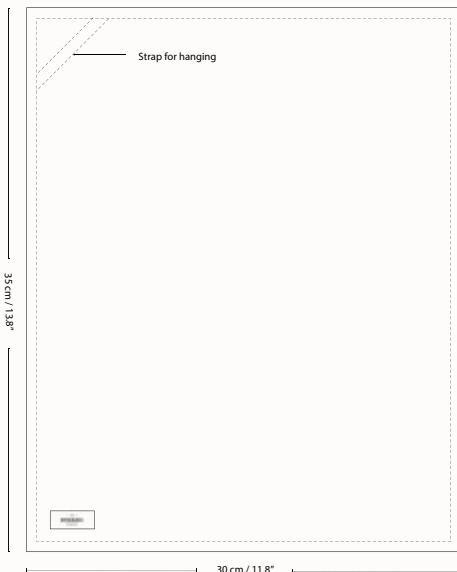
This reusable cloth can easily replace many rolls of paper towels and single use cloths. Fast drying with great absorbency. Integrated strap for hanging.

Our Kitchen cloth is voted "best in test".



<b>Style no.</b>	1048
<b>Size</b>	30 x 35 cm / 11.8 x 13.8"
<b>Weaving</b>	Piqué
<b>Material</b>	100% GOTS certified organic cotton
<b>MOQ</b>	12 pieces

	RRP
<b>DKK</b>	70,-
<b>EUR</b>	10.90
<b>NOK</b>	110,-
<b>SEK</b>	110,-
<b>GBP</b>	9.50
<b>USD-L</b>	13.00
<b>CAD-L</b>	16.50



- summer**  
no. 211 
- stone khaki**  
no. 214 
- khaki stone**  
no. 216 
- volcano**  
no. 190 
- clay stone**  
no. 226 
- morning bay**  
no. 421 
- evening bay**  
no. 420 
- grey blue stone**  
no. 511 
- dark blue stone**  
no. 550 
- evening grey**  
no. 111 
- morning grey**  
no. 180 
- cherry blossom**  
no. 315 
- stone rose**  
no. 330 
- stone coral**  
no. 380 
- maroon stone**  
no. 395 

# KITCHEN CLOTH 3 PACK



B  
U  
N  
D  
L  
E  
O  
F  
F  
E  
R

karklud  
abwaschtuch  
serviette de invitée

The Kitchen cloth has a unique ability to absorb liquid - isn't it the most important thing a dish cloth should be able to do?

Set of three pieces for easy and frequent change.

<b>Style no.</b>	1139
<b>Size</b>	30 x 35 cm / 11.8 x 13.8", 3-pack
<b>Weaving</b>	Piqué
<b>Material</b>	100% GOTS certified organic cotton
<b>MOQ</b>	8 sets of 3 pieces

	RRP
<b>DKK</b>	195,-
<b>EUR</b>	27.90
<b>NOK</b>	295,-
<b>SEK</b>	295,-
<b>GBP</b>	25.00
<b>USD-L</b>	36.00
<b>CAD-L</b>	46.00

## OCEAN SET no. 912

**morning grey**  
no. 180



**grey blue stone**  
no. 511



**dark blue stone**  
no. 550



## MORNING GREY SET no. 180

**morning grey**  
no. 180



**morning grey**  
no. 180



**morning grey**  
no. 180



## EARTH SET no. 911

**clay stone**  
no. 226



**stone khaki**  
no. 214



**evening grey**  
no. 111



## EVENING GREY SET no. 111

**evening grey**  
no. 111



**evening grey**  
no. 111



**evening grey**  
no. 111



## FLORAL SET no. 910

**stone coral**  
no. 380



**stone rose**  
no. 330



**khaki stone**  
no. 216



## CLAY STONE SET no. 226

**clay stone**  
no. 226



**clay stone**  
no. 226



**clay stone**  
no. 226



# DISPLAY KITCHEN CLOTH



B  
U  
N  
D  
L  
E  
O  
F  
F  
E  
R

karklud  
abwaschtuch  
serviette de invitée

This reusable cloth can easily replace many rolls of paper towels and single use cloths. Fast drying with great absorbency. Integrated strap for hanging.

Our Kitchen cloth is voted "best in test".

Buy one display box and get eight kitchen cloths for free.



**Style no.** 1097  
**Size** 30 x 35 cm / 11.8 x 13.8",  
display box with 48 pieces  
**Weaving** Piqué  
**Material** 100% GOTS certified organic cotton  
**MOQ** One display box of 48 pieces

RRP  
**DKK** 3360,-  
**EUR** 523.20  
**NOK** 5040,-  
**SEK** 5040,-  
**GBP** 390.00  
**USD-L** 624.00  
**CAD-L** 792.00



**EARTH BOX**  
no. 931

**clay stone**  
no. 226



**stone khaki**  
no. 214



**khaki stone**  
no. 216



**OCEAN BOX**  
no. 933

**grey blue stone**  
no. 511



**dark blue stone**  
no. 550



**black blue**  
no. 501



**FLORAL BOX**  
no. 932

**stone coral**  
no. 380



**stone rose**  
no. 330



**stone khaki**  
no. 214



**CLASSIC BOX**  
no. 930

**morning grey**  
no. 180



**clay stone**  
no. 226



**evening grey**  
no. 111







Our B Corp  
Certification  
is your  
validation that  
we are  
committed  
to bringing  
positive  
change







# KITCHEN TOWEL

viskestykke  
geschirhandtuch  
torchon

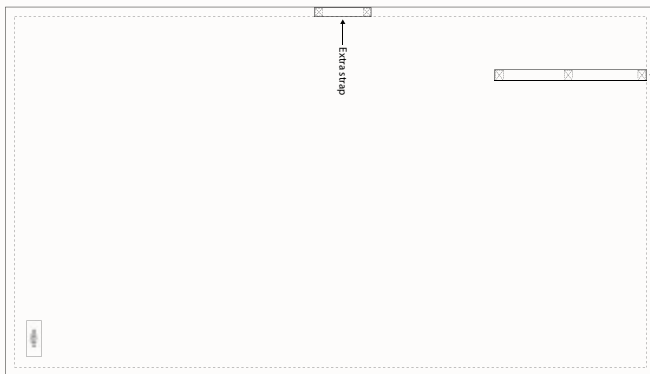
An extra large kitchen towel that is designed to absorb, to last and look great. Use the integrated straps to hang up your kitchen towel.

Our Kitchen towel is voted "best in test".



**Style no.** 1041  
**Size** 53 x 86 cm / 20.8 x 33.8"  
**Weaving** Herringbone  
**Material** 100% GOTS certified organic cotton  
**MOQ** 8 pieces

RRP  
**DKK** 130,-  
**EUR** 18.90  
**NOK** 195,-  
**SEK** 195,-  
**GBP** 17.00  
**USD-L** 22.00  
**CAD-L** 24.00



**natural white**  
no. 200



**pale yellow**  
no. 210



**khaki**  
no. 215



**stone**  
no. 202



**clay**  
no. 225



**dark green**  
no. 400



**dusty mint**  
no. 410



**sky**  
no. 570



**grey blue**  
no. 510



**dark blue**  
no. 500



**black**  
no. 100



**dark grey**  
no. 110



**ocean check**  
no. 803



**maroon**  
no. 390



**earth check**  
no. 801



**pale rose**  
no. 331



**floral check**  
no. 802



**dusty lavender**  
no. 340



# GIFT SET I



gavesæt  
geschenkset  
coffret cadeau

A twin set of two kitchen towels.

An extra large kitchen towel that is designed to absorb, to last and look great. Use the integrated straps to hang up your kitchen towel.

Our Kitchen towel is voted "best in test".

<b>Style no.</b>	1086
<b>Size</b>	One set of two kitchen towels, 53 x 86 cm / 20.8 x 33.8"
<b>Weaving</b>	Herringbone
<b>Material</b>	100% GOTS certified organic cotton
<b>MOQ</b>	8 sets

	RRP
<b>DKK</b>	230,-
<b>EUR</b>	32.90
<b>NOK</b>	325,-
<b>SEK</b>	325,-
<b>GBP</b>	29.00
<b>USD-L</b>	41.00
<b>CAD-L</b>	43.00

FLORAL CHECK MIX  
no. 812

**pale rose**  
no. 331



**floral check**  
no. 802



FLORAL MIX  
no. 952

**pale rose**  
no. 331



**dusty lavender**  
no. 340



EARTH CHECK MIX  
no. 811

**stone**  
no. 202



**earth check**  
no. 801



EARTH MIX  
no. 951

**khaki**  
no. 215



**clay**  
no. 225



OCEAN CHECK MIX  
no. 813

**sky**  
no. 570



**ocean check**  
no. 803



OCEAN MIX  
no. 953

**grey blue**  
no. 510



**dark blue**  
no. 500



CLASSIC MIX  
no. 954

**dark grey**  
no. 110



**stone**  
no. 202



## GIFT SET II

B U N  
D L E  
O F F E R

gavesæt  
geschenkset  
coffret cadeau

A set consisting of two kitchen cloths and one kitchen towel. Presentable, color coordinated and ready to be used.

Our gift set II is also a long lasting gift set for many occasions.



<b>Style no.</b>	1087
<b>Size</b>	One gift set contains one kitchen towel, 53 x 86 cm / 20.8 x 33,8" and two kitchen cloths, 30 x 35 cm / 11.8 x 13.8"
<b>Weaving</b>	Piqué and herringbone
<b>Material</b>	100% GOTS certified organic cotton
<b>MOQ</b>	8 sets

	RRP
<b>DKK</b>	225,-
<b>EUR</b>	33.90
<b>NOK</b>	335,-
<b>SEK</b>	335,-
<b>GBP</b>	30.00
<b>USD-L</b>	40.00
<b>CAD-L</b>	43.00

EARTH SET  
no. 971

**clay**  
no. 225



**clay stone**  
no. 226



**khaki stone**  
no. 216



OCEAN SET  
no. 973

**grey blue**  
no. 510



**grey blue stone**  
no. 511



**dark blue stone**  
no. 550



FLORAL SET  
no. 972

**pale rose**  
no. 331



**stone coral**  
no. 380



**stone khaki**  
no. 214



CLASSIC SET  
no. 974

**dark grey**  
no. 110



**morning grey**  
no. 180



**evening grey**  
no. 111



# LITTLE TOWEL

håndklæde  
handtuch  
serviette

A little towel for use in the kitchen.

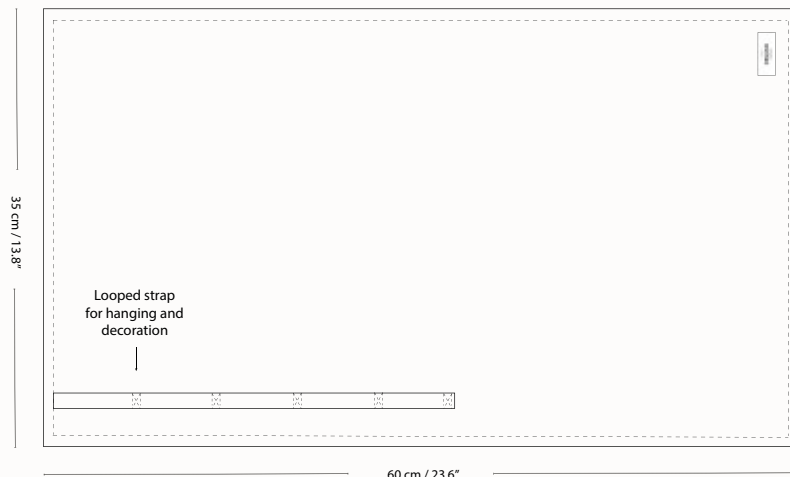
Designed with high absorbency for daily situations.

A beautiful combination of design and functionality.



<b>Style no.</b>	1078
<b>Size</b>	35 x 60 cm / 13.7 x 23.6"
<b>Weaving</b>	Piqué
<b>Material</b>	100% GOTS certified organic cotton
<b>MOQ</b>	8 pieces

	RRP
<b>DKK</b>	125,-
<b>EUR</b>	17.90
<b>NOK</b>	175,-
<b>SEK</b>	175,-
<b>GBP</b>	16.00
<b>USD-L</b>	23.00
<b>CAD-L</b>	28.00



- summer**  
no. 211 
- stone khaki**  
no. 214 
- khaki stone**  
no. 216 
- volcano**  
no. 190 
- clay stone**  
no. 226 
- morning bay**  
no. 421 
- evening bay**  
no. 420 
- grey blue stone**  
no. 511 
- dark blue stone**  
no. 550 
- evening grey**  
no. 111 
- morning grey**  
no. 180 
- cherry blossom**  
no. 315 
- stone rose**  
no. 330 
- stone coral**  
no. 380 
- maroon stone**  
no. 395 



THE ORGANIC COMP







# TEA BAG SET



undyed  
no. 201

tepose  
teebeutel  
sachet de thé

Did you know that millions of tea bags are used once and dumped daily?

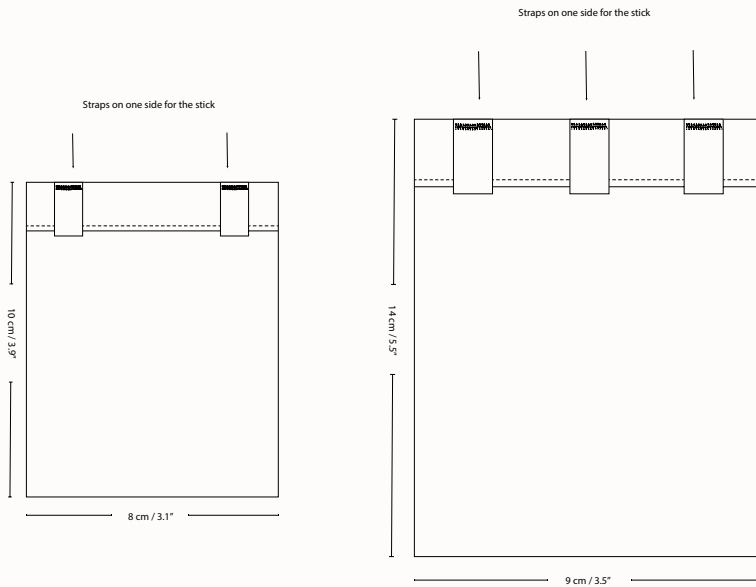
Replace single-use tea bags and enjoy your favorite tea in this reusable tea bag. Made in organic food- approved and unbleached cotton for a cleaner cup of tea.

What is your choice?



<b>Style no.</b>	TOC 1070
<b>Size</b>	Box of one small and one medium bag, one teak tree stick (wastage)
<b>Weaving</b>	Plain voile
<b>Material</b>	100% GOTS certified organic cotton / food-approved material
<b>MOQ</b>	8 boxes

	RRP
<b>DKK</b>	150,-
<b>EUR</b>	20.90
<b>NOK</b>	215,-
<b>SEK</b>	215,-
<b>GBP</b>	18.50
<b>USD-L</b>	27.00
<b>CAD-L</b>	36.00



# LUNCH BAG



madpakkepose  
lunchpaket  
sac à lunch

This bag is designed to contain your delicious lunch. It is made from organic cotton and is meant to replace disposable bags.

What is your choice?



stone  
no. 202



clay  
no. 225



dark green  
no. 400



grey blue  
no. 510



dark blue  
no. 500

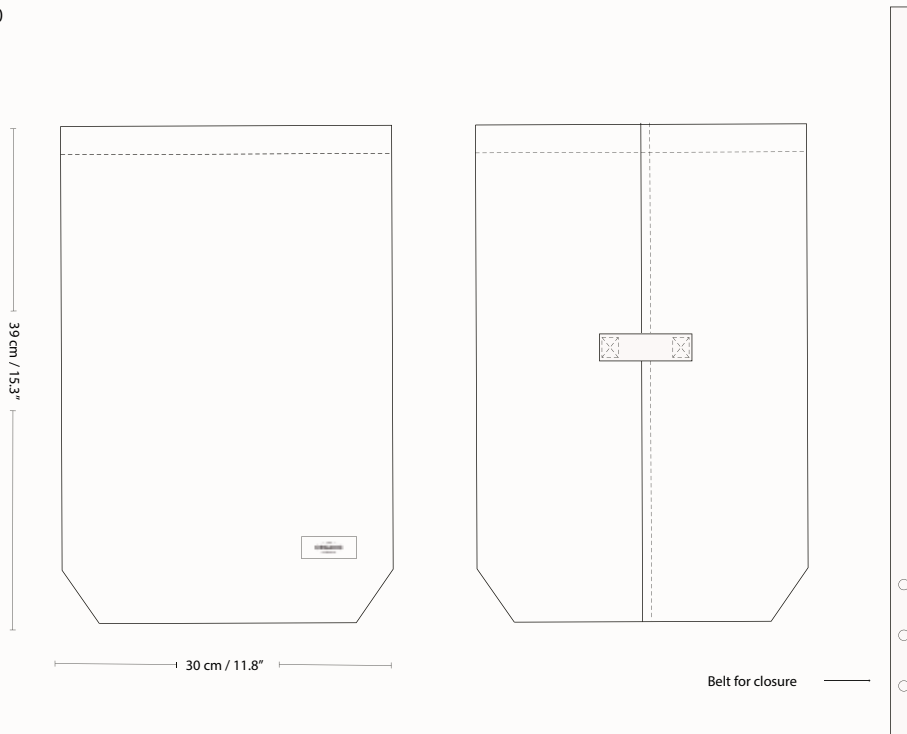


dark grey  
no. 110



<b>Style no.</b>	1052
<b>Size</b>	30 x 39 x 12 cm / 4.7 x 11.8 x 15.3"
<b>Weaving</b>	Heavy canvas
<b>Material</b>	100% GOTS certified organic cotton
<b>MOQ</b>	6 pieces

	RRP
<b>DKK</b>	150,-
<b>EUR</b>	20.90
<b>NOK</b>	215,-
<b>SEK</b>	215,-
<b>GBP</b>	18.50
<b>USD-L</b>	27.00
<b>CAD-L</b>	36.00



# FOOD BAG

madpose  
essenbeutel  
sac de nourriture



Did you know that we use around 2 million single use plastic bags every minute, on a global scale?

Replace plastic and have your food contained organically with our food bags. Made in organic food-approved cotton.

What is your choice?



**natural white**  
no. 200



**stone**  
no. 202



**khaki**  
no. 215



**dark green**  
no. 400



**maroon**  
no. 390



	SMALL
<b>Style no.</b>	1049
<b>Size</b>	16 x 22 x 6 cm / 2.3 x 6.3 x 8.7"
<b>Weaving</b>	Gauze
<b>Material</b>	100% GOTS certified organic cotton / food-approved material
<b>MOQ</b>	16 pieces

	LARGE
<b>Style no.</b>	1051
<b>Size</b>	30 x 40 x 12 cm / 11.8 x 15.7 x 4.7"
<b>Weaving</b>	Gauze
<b>Material</b>	100% GOTS certified organic cotton / food-approved material
<b>MOQ</b>	16 pieces

	RRP
<b>DKK</b>	20,-
<b>EUR</b>	2.90
<b>NOK</b>	30,-
<b>SEK</b>	30,-
<b>GBP</b>	2.25
<b>USD-L</b>	4.50
<b>CAD-L</b>	5.50

	RRP
<b>DKK</b>	30,-
<b>EUR</b>	4.90
<b>NOK</b>	45,-
<b>SEK</b>	45,-
<b>GBP</b>	3.50
<b>USD-L</b>	5.50
<b>CAD-L</b>	7.00

	MEDIUM
<b>Style no.</b>	1050
<b>Size</b>	24 x 30 x 8 cm / 9.4 x 11.8 x 3.1"
<b>Weaving</b>	Gauze
<b>Material</b>	100% GOTS certified organic cotton / food-approved material
<b>MOQ</b>	16 pieces

	RRP
<b>DKK</b>	25,-
<b>EUR</b>	3.90
<b>NOK</b>	35,-
<b>SEK</b>	35,-
<b>GBP</b>	3.00
<b>USD-L</b>	5.00
<b>CAD-L</b>	6.00



# FOOD BAG SET

madpose  
essenbeutel  
sac de nourriture



B  
U  
N  
D  
L  
E  
O  
F  
F  
E  
R



**natural white**  
no. 200



**stone**  
no. 202



**khaki**  
no. 215



**dark green**  
no. 400



**maroon**  
no. 390



The Food Bag is designed with special care for people and the environment. The bag is a reusable alternative to disposable packaging.

Use it for shopping and storing bulk goods like fruit and vegetables.

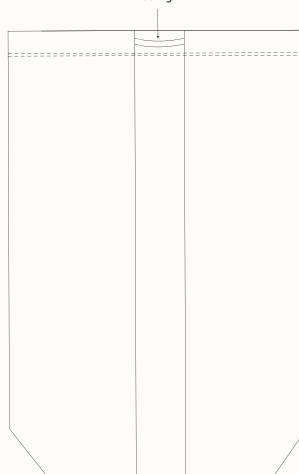
String for hanging, carrying and closure.  
Made in organic food-approved cotton.

	SET OF 3
<b>Style no.</b>	1116
<b>Size</b>	One small: 16 x 22 x 6 cm / 2.3 x 6.3 x 8.7" One medium: 24 x 30 x 8 cm / 3.1 x 9.4 x 11.8" One large: 30 x 40 x 12 cm / 4.7 x 11.8 x 15.7"
<b>Weaving</b>	Gauze
<b>Material</b>	100% GOTS certified organic cotton / food-approved material
<b>MOQ</b>	8 sets
	RRP
<b>DKK</b>	70,-
<b>EUR</b>	10.90
<b>NOK</b>	95,-
<b>SEK</b>	95,-
<b>GBP</b>	8.00
<b>USD-L</b>	13.50
<b>CAD-L</b>	16.50

label for weight info  
attached inside the bag



String







A landscape photograph showing a field of grass and trees under a cloudy sky. The sky is a mix of blue and orange, suggesting dawn or dusk. The text is overlaid in white, sans-serif font.

Choosing long  
lasting  
products has  
a positive  
impact on  
our planet's  
resources

# ZERO WASTE BASIC KIT



B  
U  
N  
D  
L  
E  
O  
F  
F  
E  
R

The best way to reduce waste is to cut out single use items in our life.

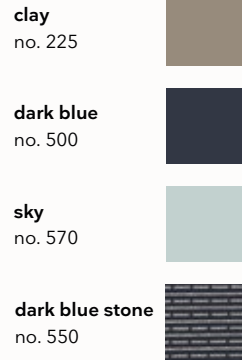
We have collected a mix of 6 of our bestselling reusable items for everyday zero wasting. Thank you for challenging the single use culture.

**Style no.** 1186  
**Weaving** Miscellaneous  
**Material** 100% GOTS certified organic cotton  
**MOQ** 4 pieces

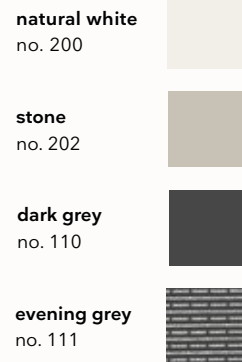
RRP  
**DKK** 320,-  
**EUR** 46.90  
**NOK** 475,-  
**SEK** 475,-  
**GBP** 41.00  
**USD-L** 60.00  
**CAD-L** 76.00



## OCEAN SET COLOUR MIX no. 953



## CLASIC SET COLOUR MIX no. 954



## EARTH SET COLOUR MIX no. 951











# MINI OVEN MITTS

NEW  
PRODUCT

ovnhandsker  
ofenhandschuhe  
gants de cuisine

Small and convenient oven mitts, that does not take up much space. Easy and quick way to protect your hands while working with heat in the kitchen. With a distinct design and in 100% organic cotton.

Set of two oven mitts.



grey blue stone  
no. 511



clay stone  
no. 226



dusty lavender  
no. 340



grey blue  
no. 510

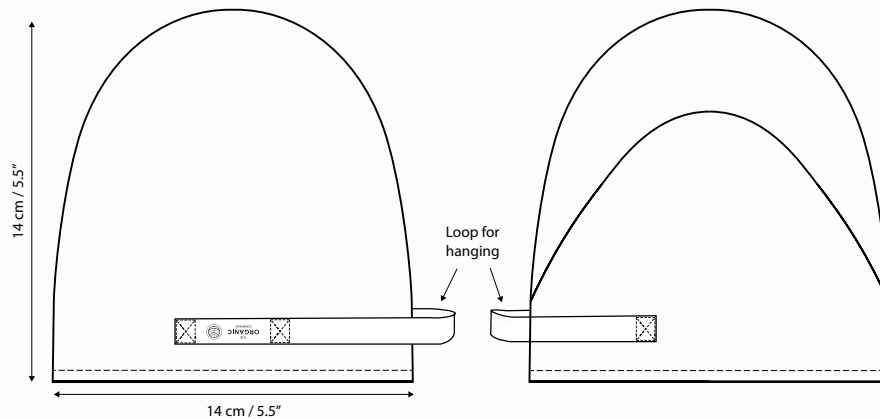


dark grey  
no. 110



<b>Style no.</b>	1189
<b>Size</b>	14 x 14 cm / 5.5 x 5.5"
<b>Weaving</b>	Piqué or herringbone, cotton wadding
<b>Material</b>	100% GOTS certified organic cotton
<b>MOQ</b>	4 pieces

	RRP
<b>DKK</b>	195,-
<b>EUR</b>	27.90
<b>NOK</b>	295,-
<b>SEK</b>	295,-
<b>GBP</b>	25.00
<b>USD-L</b>	36.00
<b>CAD-L</b>	46.00





# OVEN MITTS

ovnhandsker  
ofenhandschuhe  
gants de cuisine

When cooking delicious food, your kitchen accessories need to be in order. Protect your hands and arms while working with heat in the kitchen - and do this with distinct design and in 100% organic cotton.

Our oven mitts have been tested and approved to withstand heat for up to 662 degrees Fahrenheit / 350 degrees centigrades.



**khaki**  
no. 215



**clay**  
no. 225



**grey blue**  
no. 510



**dark grey**  
no. 110



**black**  
no. 100



## MEDIUM

**Style no.** 1046  
**Size** 15 x 31 cm / 5.9 x 12.2"  
**Weaving** Canvas, cotton wadding  
**Material** 100% GOTS certified organic cotton  
**MOQ** 4 pieces

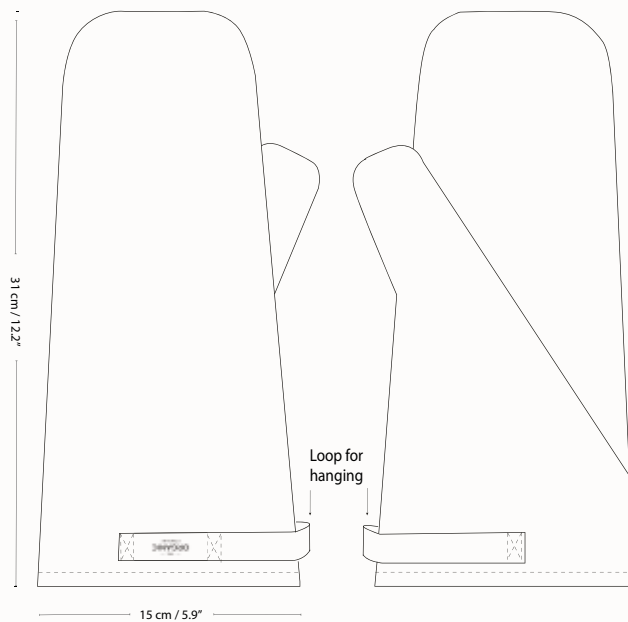
## LARGE

**Style no.** 1047  
**Size** 17 x 36 cm / 6.6 x 14.2"  
**Weaving** Canvas, cotton wadding  
**Material** 100% GOTS certified organic cotton  
**MOQ** 4 pieces

## RRP

**DKK** 325,-  
**EUR** 44.90  
**NOK** 475,-  
**SEK** 475,-  
**GBP** 40.00  
**USD-L** 58.00  
**CAD-L** 74.00

## Medium



# OVEN GLOVES

grydelapper  
ofenhandschuhe  
maniques

When cooking delicious food, your kitchen accessories need to be in order. Protect your hands and arms while working with heat in the kitchen - and do this with distinct design and in 100% organic cotton.

Our oven gloves have been tested and approved to withstand heat for up to 662 degrees Fahrenheit / 350 degrees centigrades.



**morning grey**  
no. 180



**grey blue stone**  
no. 511

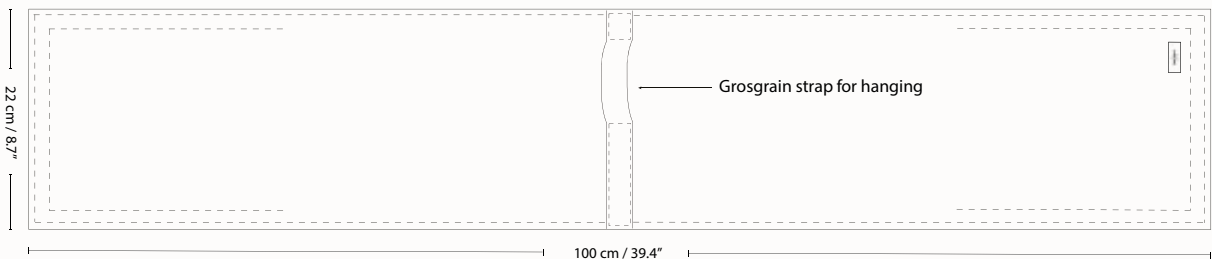


**evening grey**  
no. 111



<b>Style no.</b>	1035
<b>Size</b>	22 x 100 cm / 8.7 x 39.4"
<b>Weaving</b>	Piqué or canvas, cotton wadding
<b>Material</b>	100% GOTS certified organic cotton
<b>MOQ</b>	4 pieces

	RRP
<b>DKK</b>	325,-
<b>EUR</b>	44.90
<b>NOK</b>	475,-
<b>SEK</b>	475,-
<b>GBP</b>	40.00
<b>USD-L</b>	58.00
<b>CAD-L</b>	74.00



# TEA COSY

tehætte  
tekannehaube  
couvre-théière

Enjoy your tea and keep it warm for longer.

This tea cosy is made with insulating cotton wadding in pure and certified organic cotton.

Delicate yet practical - as part of our range of great kitchen accessories.



clay stone  
no. 226



grey blue stone  
no. 511



evening grey  
no. 111

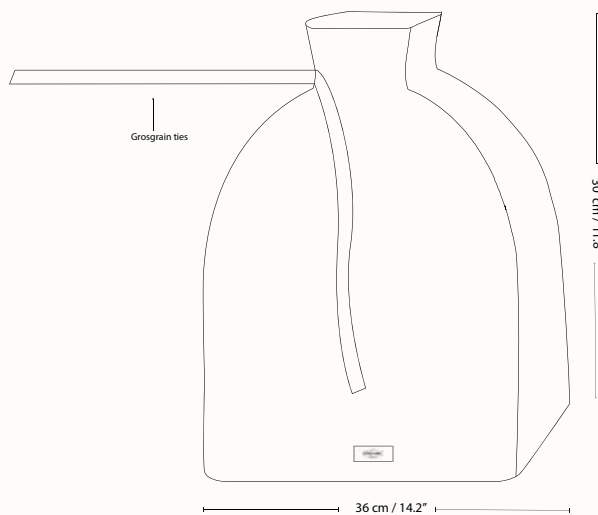


stone rose  
no. 330



<b>Style no.</b>	1034
<b>Size</b>	36 x 30 cm / 11.8 x 14.2"
<b>Weaving</b>	Piqué cotton wadding
<b>Material</b>	100% GOTS certified organic cotton
<b>MOQ</b>	4 pieces

	RRP
<b>DKK</b>	325,-
<b>EUR</b>	44.90
<b>NOK</b>	475,-
<b>SEK</b>	475,-
<b>GBP</b>	40.00
<b>USD-L</b>	58.00
<b>CAD-L</b>	74.00









Organic  
farming  
is better  
for our  
biodiversity

# GIANT KITCHEN TOWEL

forklæde  
schürze  
tablier

Use our Giant kitchen towel for your dishes or wrap it around you to look nice and practical when you cook, bake or grill.

Designed to be practical.



clay  
no. 225



dusty mint  
no. 410



grey blue  
no. 510



dark grey  
no. 110

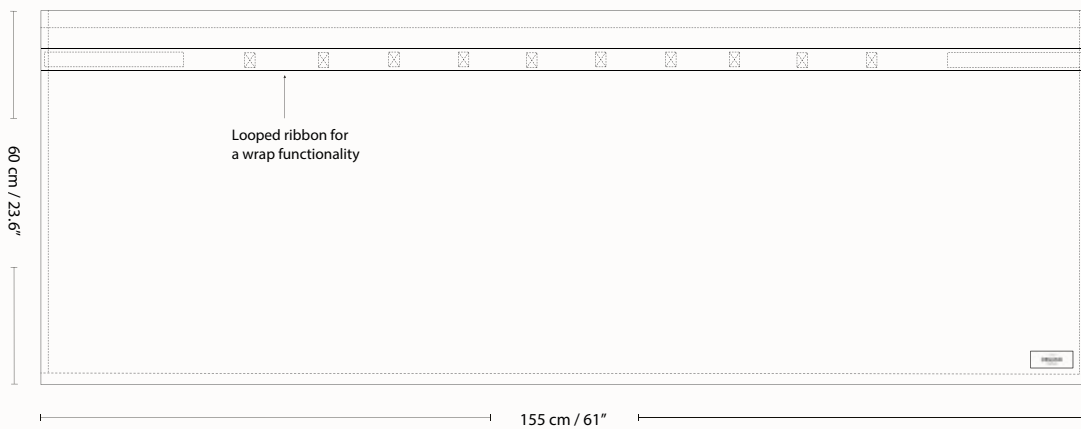


dusty lavender  
no. 340



<b>Style no.</b>	1039
<b>Size</b>	60 x 155 cm / 23.6 x 61.0"
<b>Weaving</b>	Herringbone
<b>Material</b>	100% GOTS certified organic cotton
<b>MOQ</b>	4 pieces

	RRP
<b>DKK</b>	310,-
<b>EUR</b>	43.90
<b>NOK</b>	445,-
<b>SEK</b>	445,-
<b>GBP</b>	39.00
<b>USD-L</b>	54.00
<b>CAD-L</b>	70.00



# APRON WITH POCKET

forklæde  
schürze  
tablier

A practical apron in many different situations; cooking at home, servicing customers, cleaning.



clay  
no. 225



dark green  
no. 400



dark blue  
no. 500



black  
no. 100

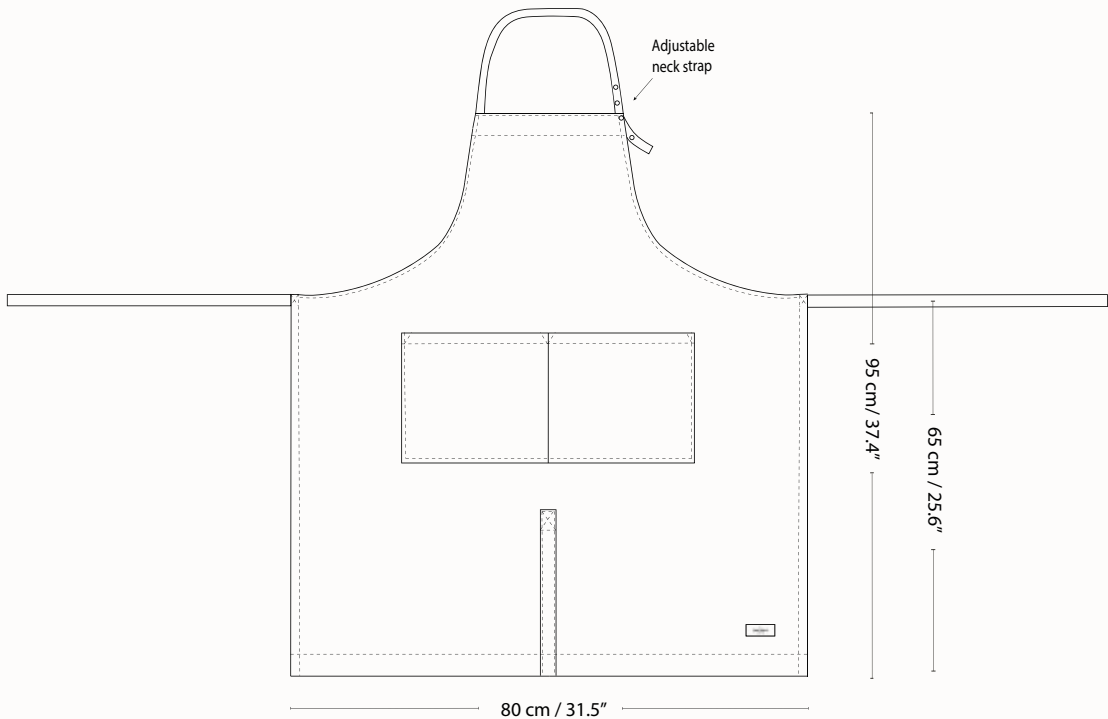


dark grey  
no. 110



<b>Style no.</b>	1037
<b>Size</b>	80 x 95 cm / 31.5 x 37.4"
<b>Weaving</b>	Twill drill
<b>Material</b>	100% GOTS certified organic cotton
<b>MOQ</b>	4 pieces

	RRP
<b>DKK</b>	325,-
<b>EUR</b>	44.90
<b>NOK</b>	475,-
<b>SEK</b>	475,-
<b>GBP</b>	40.00
<b>USD-L</b>	58.00
<b>CAD-L</b>	74.00







# CREATIVE AND GARDEN APRON

forklæde  
schürze  
tablier

Backyard, studio, kitchen... wherever you are, this apron has you covered.

It's made from 100% certified organic cotton, in a canvas weave that's tough enough for even your most messy projects.

Comes with five practical pockets to keep your tools close at hand.

<b>Style no.</b>	1031
<b>Size</b>	100 x 74 cm / 39.4 x 29.0"
<b>Weaving</b>	Canvas
<b>Material</b>	100% GOTS certified organic cotton
<b>MOQ</b>	4 pieces

	RRP
<b>DKK</b>	360,-
<b>EUR</b>	50.90
<b>NOK</b>	520,-
<b>SEK</b>	520,-
<b>GBP</b>	45.00
<b>USD-L</b>	62.00
<b>CAD-L</b>	78.00



**clay**  
no. 225



**dusty mint**  
no. 410



**dark green**  
no. 400



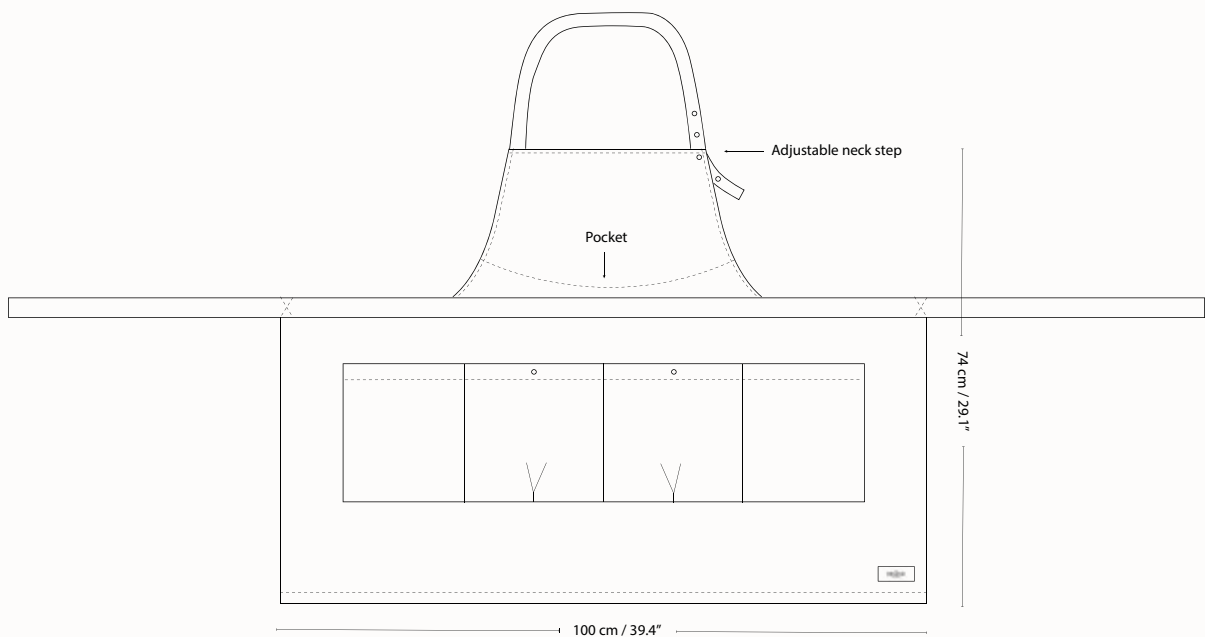
**dark blue**  
no. 500



**black**  
no. 100



**dark grey**  
no. 110



Sustainability means  
that there is a good  
balance between  
what we produce  
what we consume and  
what we throw away





BATHHANDS  
WELLMES



# BIG WAFFLE INTRO

BIG WAFFLE is our chunky, comfortable bath series. It is a vivid weave made from regular pure organic cotton. It has a soft hand feel and great absorbency.

The BIG WAFFLE weave is also known as a honeycomb weave with raised threads that form squares, giving the fabric a three-dimensional effect. The surface of the fabric has a texture and an appearance that looks like a Belgian waffle, hence the name.

The waffle weaving gives the products a warm and cozy feeling. Combined with clean Nordic lines, this is a product in perfect balance.

Mix different colors or styles together with products from our CALM, FINE or WELLNESS series for the perfectly imperfect look.



# BIG WAFFLE TOWEL AND BLANKET

håndklæde  
handtuch  
serviette de bain

This towel is more than a large and distinct towel with great absorbency. It is also a thick and comfortable blanket for yoga, the beach and on the terrace.

Integrated strap for hanging.



natural white  
no. 200



NEW  
COL  
OUR

natural white stone  
no. 205



stone  
no. 202



NEW  
COL  
OUR

clay stone  
no. 226



clay  
no. 225



NEW  
COL  
OUR

teak  
no. 240



dark blue  
no. 500



grey blue  
no. 510



dusty lavender  
no. 340

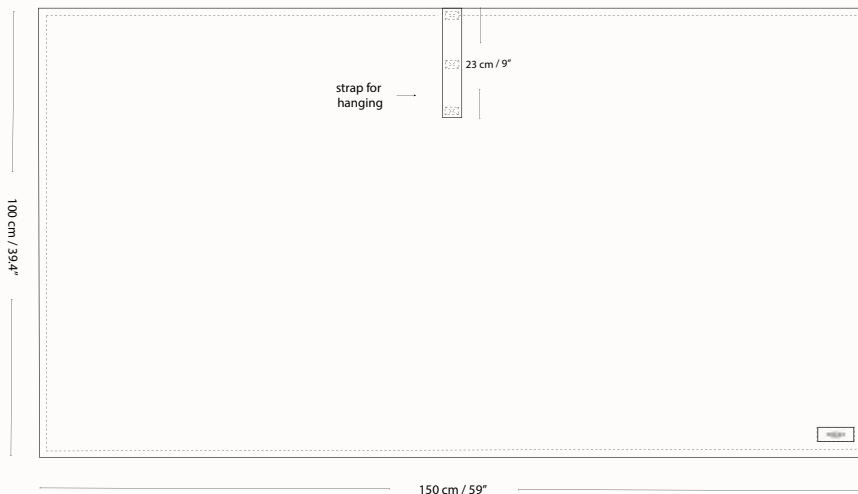


dark grey  
no. 110



**Style no.** 1029  
**Size** 100 x 150 cm / 39.4 x 59.0"  
**Weaving** Waffle  
**Material** 100% GOTS certified organic cotton  
**MOQ** 4 pieces

RRP  
DKK 595,-  
EUR 83.90  
NOK 825,-  
SEK 825,-  
GBP 73.00  
USD-L 104.00  
CAD-L 135.00



# BIG WAFFLE HAND TOWEL

håndklæde  
handtuch  
serviette de bain

This piece was developed to make a soft and comfortable guest and hand towel with a designed expression.

Great absorbency.

Integrated strap for hanging.



**natural white**  
no. 200



NEW  
COL  
OUR

**natural white stone**  
no. 205



**stone**  
no. 202



NEW  
COL  
OUR

**clay stone**  
no. 226



**clay**  
no. 225



NEW  
COL  
OUR

**teak**  
no. 240



**dark blue**  
no. 500



**grey blue**  
no. 510



**dusty lavender**  
no. 340

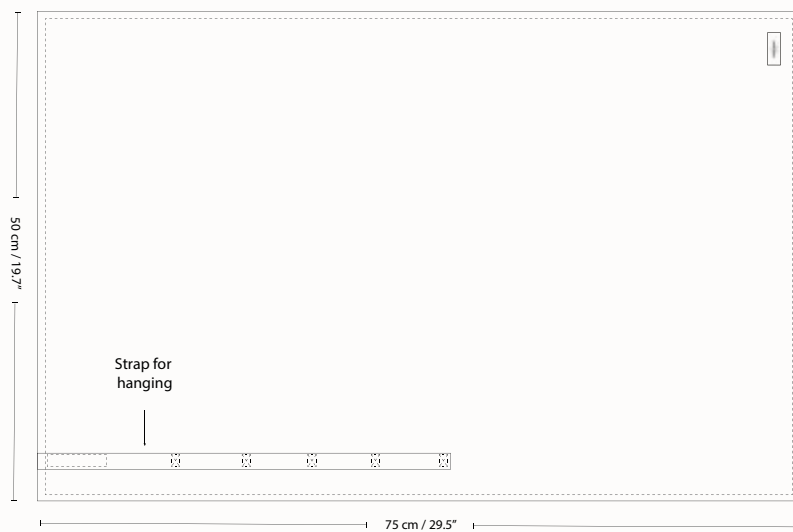


**dark grey**  
no. 110



<b>Style no.</b>	1020
<b>Size</b>	50 x 75 cm / 19.7 x 29.5"
<b>Weaving</b>	Waffle
<b>Material</b>	100% GOTS certified organic cotton
<b>MOQ</b>	4 pieces

	RRP
<b>DKK</b>	175,-
<b>EUR</b>	24.90
<b>NOK</b>	270,-
<b>SEK</b>	270,-
<b>GBP</b>	22.00
<b>USD-L</b>	32.00
<b>CAD-L</b>	39.00



# BIG WAFFLE LARGE HAND TOWEL

håndklæde  
handtuch  
serviette de bain

Enjoy this large hand towel in pure organic cotton. Soft and absorbent when drying your hands. Also great as a guest towel and practical to take with you for yoga and on the go.

Designed with an integrated strap for easy hanging.



NEW  
COL  
OUR

**natural white**  
no. 200



**stone**  
no. 202



**clay**  
no. 225



**teak**  
no. 240



**grey blue**  
no. 510



**dark blue**  
no. 500



**dark grey**  
no. 110

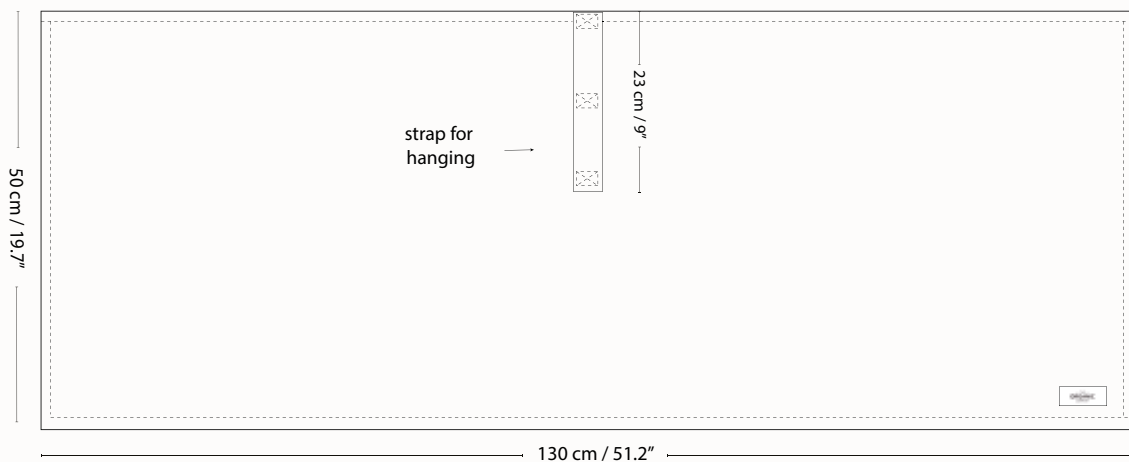


**dusty lavender**  
no. 340



<b>Style no.</b>	1174
<b>Size</b>	130 x 50 cm / 51.2 x 19.7"
<b>Weaving</b>	Waffle
<b>Material</b>	100% GOTS certified organic cotton
<b>MOQ</b>	4 pieces

	RRP
<b>DKK</b>	275,-
<b>EUR</b>	39.90
<b>NOK</b>	395,-
<b>SEK</b>	395,-
<b>GBP</b>	35.00
<b>USD-L</b>	52.00
<b>CAD-L</b>	66.00



# BIG WAFFLE GIFT SET



gavesæt  
geschenkset  
coffret cadeau

Our Big waffle gift set is perfect for that special someone.

A timeless and long lasting gift set for many occasions. Presentable, thoughtful and sustainably made in pure organic cotton.

The Big waffle gift set consists of one large Big waffle towel and blanket and two Big waffle hand towels.

natural white  
no. 200



stone  
no. 202



clay  
no. 225



dark grey  
no. 110



<b>Style no.</b>	1175
<b>Size</b>	One gift set contains one towel and blanket, 100 x 150 cm / 39.4 x 59.0" and two hand towels, 50 x 75 cm / 19.7 x 29.5"
<b>Weaving</b>	Waffle
<b>Material</b>	100% GOTS certified organic cotton
<b>MOQ</b>	2 sets

	RRP
<b>DKK</b>	755,-
<b>EUR</b>	106.90
<b>NOK</b>	1095,-
<b>SEK</b>	1095,-
<b>GBP</b>	94.00
<b>USD-L</b>	135.00
<b>CAD-L</b>	170.00





# BIG WAFFLE BATH MAT

bademåtte  
badematte  
tapis de bain

Our bath mat combines the comforting feeling when stepping out of the bath with a modern and relaxed expression.

The mat can easily be hung in the strap.



**natural white**  
no. 200



**stone**  
no. 202



**clay**  
no. 225



NEW  
COL  
OUR

**teak**  
no. 240



**grey blue**  
no. 510



**dark blue**  
no. 500



**dark grey**  
no. 110

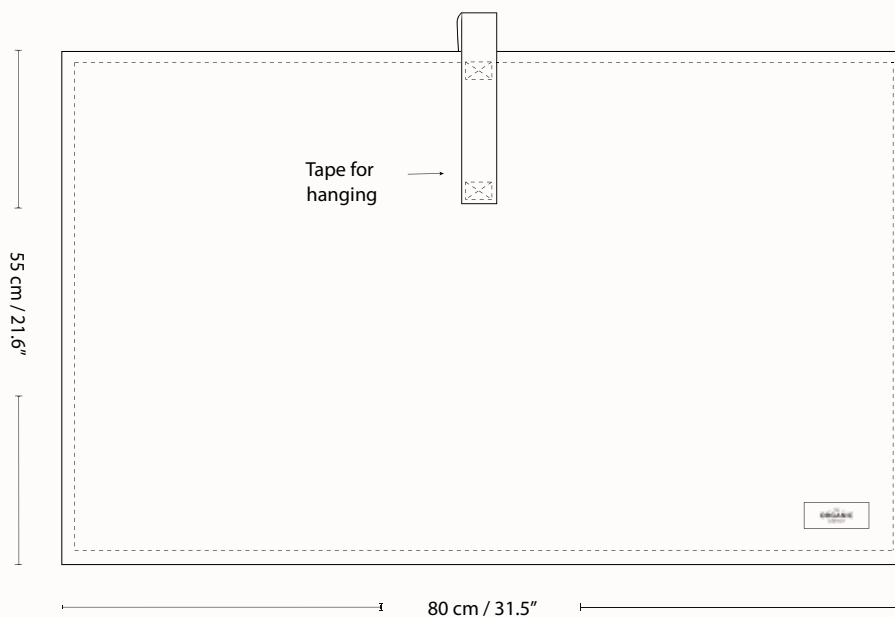


**dusty lavender**  
no. 340



<b>Style no.</b>	1026
<b>Size</b>	80 x 55 cm / 21.7 x 31.5"
<b>Weaving</b>	Waffle
<b>Material</b>	100% GOTS certified organic cotton
<b>MOQ</b>	4 pieces

	RRP
<b>DKK</b>	430,-
<b>EUR</b>	60.90
<b>NOK</b>	630,-
<b>SEK</b>	630,-
<b>GBP</b>	54.00
<b>USD-L</b>	76.00
<b>CAD-L</b>	102.00









# BIG WAFFLE WASH CLOTH

BUN  
DLE  
OFFER

vaskeklud  
waschlappen  
serviette de invitée

An absorbent cloth for personal care or a distinct guest towel. With a functional strap for hanging.

A good-looking piece great in action.

Package of 3 cloths.



natural white  
no. 200



NEW  
COL  
OUR

natural white stone  
no. 205



stone  
no. 202



NEW  
COL  
OUR

clay stone  
no. 226



clay  
no. 225



NEW  
COL  
OUR

teak  
no. 240



dark blue  
no. 500



grey blue  
no. 510



dusty lavender  
no. 340

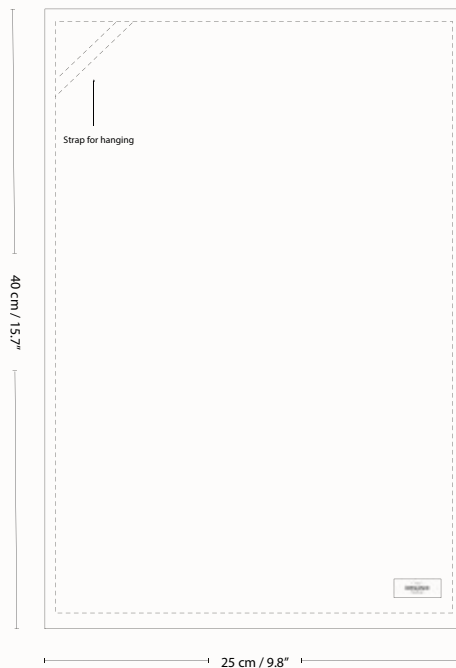


dark grey  
no. 110



**Style no.** 1190  
**Size** 25 x 40 cm / 9.8 x 15.7"  
**Weaving** Waffle  
**Material** 100% GOTS certified organic cotton  
**MOQ** 6 pieces

	RRP
DKK	195,-
EUR	27.90
NOK	295,-
SEK	295,-
GBP	25.00
USD-L	36.00
CAD-L	46.00





# BIG WAFFLE MAKEUP PADS



rondeller  
kosmetikpads  
tampons démaquillants

It all came together.  
To use leftover fabric from our towel  
production to make soft and reusable pads  
for facial care and makeup removal. So  
much better than single use cotton pads.

What is your choice?

Comes in a box with four makeup pads.



**natural white**  
no. 200



**stone**  
no. 202



**clay**  
no. 225



NEW  
COL  
OUR

**teak**  
no. 240



**grey blue**  
no. 510



**dark blue**  
no. 500



**dark grey**  
no. 110

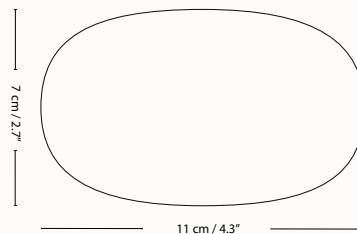
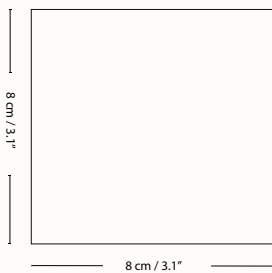


**dusty lavender**  
no. 340



<b>Style no.</b>	1017
<b>Size</b>	Box of two square (8 x 8 cm / 3.1 x 3.1") and two oval pieces (7 x 11 cm / 2.5 x 4.3")
<b>Weaving</b>	Waffle
<b>Material</b>	100% GOTS certified organic cotton
<b>MOQ</b>	8 boxes

	RRP
<b>DKK</b>	75,-
<b>EUR</b>	10.90
<b>NOK</b>	110,-
<b>SEK</b>	110,-
<b>GBP</b>	9.50
<b>USD-L</b>	14.00
<b>CAD-L</b>	18.00





# BIG WAFFLE BATHROBE

badekåbe  
bademantel  
peignoir

Enjoy a quiet and relaxed feeling when wrapping yourself in our soft and cosy bathrobe. Use it at home, at the spa and when travelling.

Designed with a comfortable fit and made in our favourite Big Waffle weaving. Double loops on the back help the belt stay in place and according to your preference.

Woven from certified organic cotton, naturally.

New feature on dark grey bathrobe: inner pocket.

<b>Style no.</b>	1143
<b>Size</b>	S/M size: 119 x 63 cm / 46,9" x 24.8" M/L size: 128 x 68 cm / 50.4" x 26.8"
<b>Weaving</b>	Waffle
<b>Material</b>	100% GOTS certified organic cotton
<b>MOQ</b>	2 pieces

	RRP
<b>DKK</b>	1.295,-
<b>EUR</b>	183.90
<b>NOK</b>	1.795,-
<b>SEK</b>	1.795,-
<b>GBP</b>	160.00
<b>USD-L</b>	238.00
<b>CAD-L</b>	290.00



**natural white**  
no. 200



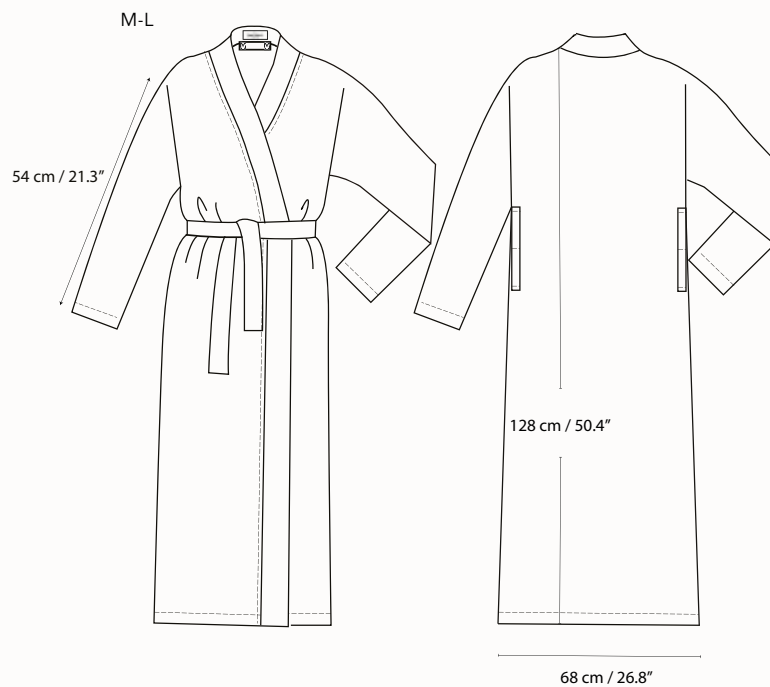
**stone**  
no. 202



**grey blue**  
no. 510



**dark grey**  
no. 110







# FINE INTRO

FINE encompasses our Nordic traditions with elements of light materials and soft color tones.

FINE is designed to be a light and “flowy” towel for your hands, hair and body.

This towel series will lift the look and feel in your bathroom and is also easy to roll up and bring with you on the go.

The essence of FINE is best described as freedom and weightlessness with the wonderful combination of 3 layers of lightweight gauze, soft color tones and unconventional towel sizes.

Our FINE towels have a great absorbency and dries quickly.



# FINE HAND TOWEL

håndklæde  
handtuch  
serviette de bain

Experience freedom and weightlessness with the combination of 3 layers of lightweight gauze, soft color tones and unconventional towel sizes for your hands, hair and body. Light, beautiful, and fast drying.

A hand towel with a true and pure flowy feeling.



**pale yellow**  
no. 210



**stone**  
no. 202



**clay**  
no. 225



**dusty mint**  
no. 410



**sky**  
no. 570



**grey blue**  
no. 510

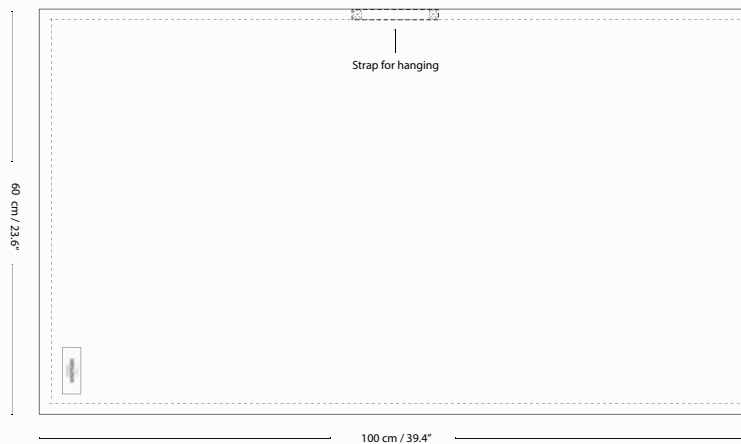


**dusty lavender**  
no. 340



<b>Style no.</b>	1131
<b>Size</b>	60 x 100 cm / 23.6 x 39.4"
<b>Weaving</b>	Gauze
<b>Material</b>	100% GOTS certified organic cotton
<b>MOQ</b>	4 pieces

	RRP
<b>DKK</b>	190,-
<b>EUR</b>	26.90
<b>NOK</b>	275,-
<b>SEK</b>	275,-
<b>GBP</b>	24.00
<b>USD-L</b>	36.00
<b>CAD-L</b>	44.00



# FINE BATH TOWEL

håndklæde  
handtuch  
serviette de bain

Experience freedom and weightlessness with the combination of 3 layers of lightweight gauze, soft color tones and unconventional towel sizes for your hands, hair and body. Light, beautiful, and fast drying.

A bath towel with a true and pure flowy feeling.

**Style no.** 1130  
**Size** 100 x 150 cm / 39.4 x 59.0"  
**Weaving** Gauze  
**Material** 100% GOTS certified organic cotton  
**MOQ** 4 pieces

RRP  
**DKK** 375,-  
**EUR** 52.90  
**NOK** 525,-  
**SEK** 525,-  
**GBP** 47.00  
**USD-L** 65.00  
**CAD-L** 78.00



**pale yellow**  
no. 210



**stone**  
no. 202



**clay**  
no. 225



**dusty mint**  
no. 410



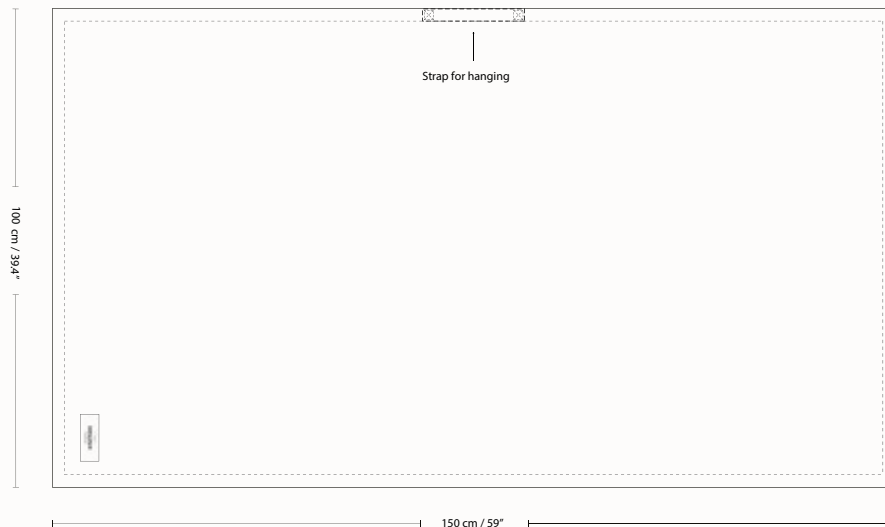
**sky**  
no. 570



**grey blue**  
no. 510



**dusty lavender**  
no. 340









# FINE GIFT SET



gavesæt  
geschenkset  
coffret cadeau

Our FINE gift set is perfect for that special someone.

A timeless and long lasting gift set for many occasions. Presentable, thoughtful and sustainably made in pure organic cotton.

The FINE gift set consists of one FINE bath towel and one FINE hand towel.

<b>Style no.</b>	1183
<b>Size</b>	A gift set contains one hand towel, 60 x 100 cm / 23.6 x 39.4" and one bath towel, 100 x 150 cm / 39.4 x 59.0"
<b>Weaving</b>	Gauze
<b>Material</b>	100% GOTS certified organic cotton
<b>MOQ</b>	4 sets

	RRP
<b>DKK</b>	450,-
<b>EUR</b>	63.90
<b>NOK</b>	645,-
<b>SEK</b>	645,-
<b>GBP</b>	56.00
<b>USD-L</b>	80.00
<b>CAD-L</b>	98.00

**pale yellow**  
no. 210



**stone**  
no. 202



**clay**  
no. 225



**dusty mint**  
no. 410



**sky**  
no. 570

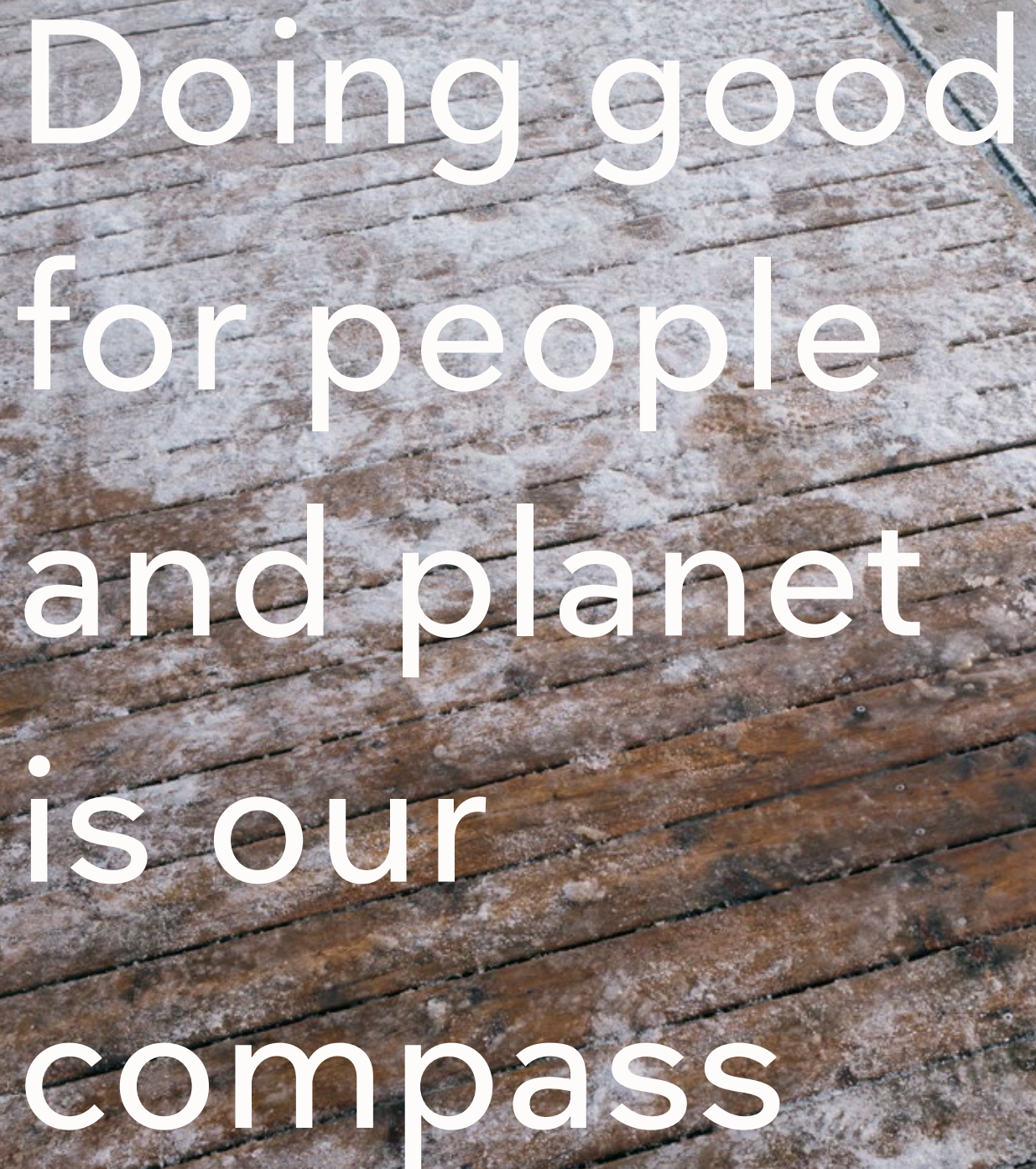


**grey blue**  
no. 510



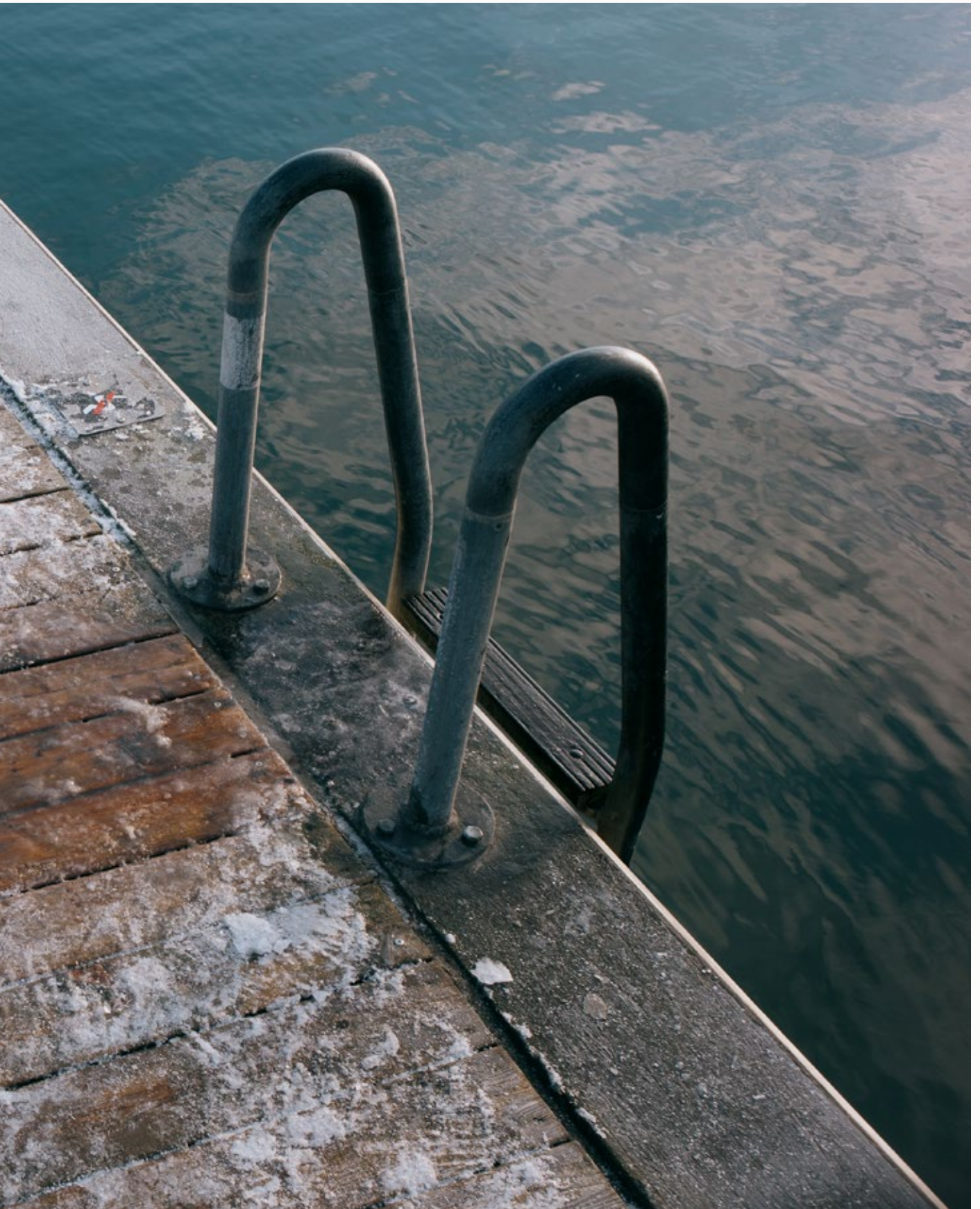
**dusty lavender**  
no. 340



A photograph of a wooden pier or dock extending into the water. The wooden planks are weathered and show signs of age. The water is visible in the upper right corner. Overlaid on the image is the text "Doing good for people and planet is our compass" in a white, sans-serif font.

Doing good  
for people  
and planet  
is our  
compass







# WELLNESS INTRO

Our WELLNESS series combines elegance with exceptional functionality. The piqué weaving in two colors provides a twist to the towel expression and makes it easy to mix with other materials and colors.

The WELLNESS series takes up very little space when folded and dries up fast, and is therefore practical to bring to the beach or for other wellness situations.

Mix different colors together or mix with styles from our CALM or BIG WAFFLE series for the perfectly imperfect look.

The WELLNESS series is enhanced with a wrap functionality - to solve the awkwardness of a towel falling down, when you trust it to stay.



# HAND HAIR TOWEL

håndklæde  
handtuch  
serviette de bain

The hand hair towel makes the guest towel a nice experience. Enhanced with a hair wrap functionality.

A lightweight towel with great absorbency.



**morning grey**  
no. 180



**grey blue stone**  
no. 511



**evening grey**  
no. 111

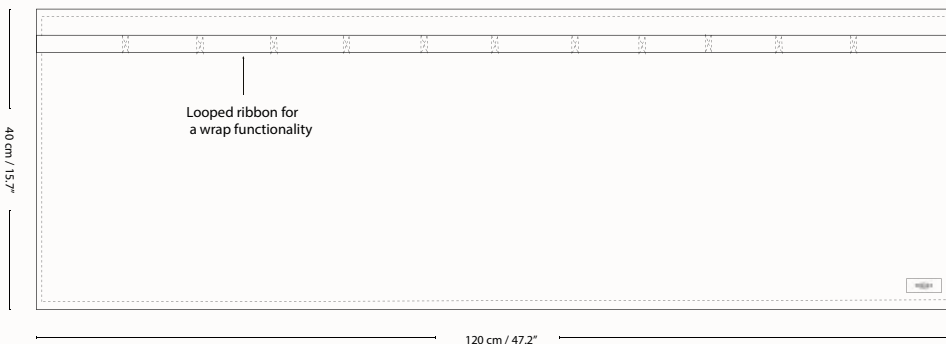


**stone rose**  
no. 330



<b>Style no.</b>	1023
<b>Size</b>	40 x 120 cm / 15.7 x 47.2"
<b>Weaving</b>	Piqué
<b>Material</b>	100% GOTS certified organic cotton
<b>MOQ</b>	4 pieces

	RRP
<b>DKK</b>	225,-
<b>EUR</b>	31.90
<b>NOK</b>	315,-
<b>SEK</b>	315,-
<b>GBP</b>	28.00
<b>USD-L</b>	40.00
<b>CAD-L</b>	50.00



# WELLNESS TOWEL

håndklæde  
handtuch  
serviette de bain

Developed for wellness situations, after the bath and on the beach.

This extra-large towel takes up little space when folded.

A lightweight towel with great absorbency.



**morning grey**  
no. 180



**grey blue stone**  
no. 511



**evening grey**  
no. 111

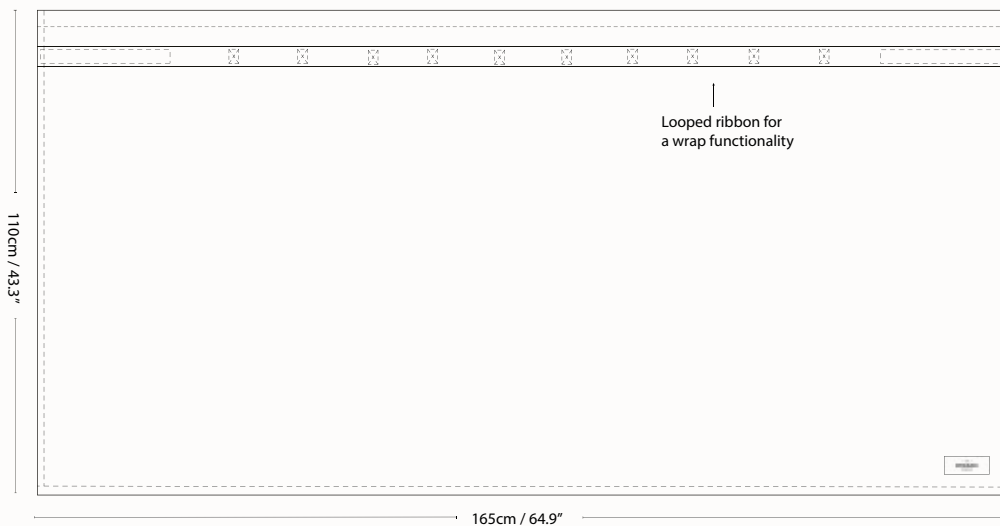


**stone rose**  
no. 330



<b>Style no.</b>	1018
<b>Size</b>	110 x 165 cm / 43.3 x 64.9"
<b>Weaving</b>	Piqué
<b>Material</b>	100% GOTS certified organic cotton
<b>MOQ</b>	4 pieces

	RRP
<b>DKK</b>	495,-
<b>EUR</b>	69.90
<b>NOK</b>	720,-
<b>SEK</b>	725,-
<b>GBP</b>	61.00
<b>USD-L</b>	86.00
<b>CAD-L</b>	116.00







GOTS certified  
textile production  
uses 91% less  
blue water\*  
than conventional  
textile production



\*blue water - added water



# BAGS AND STORAGE



# MY ORGANIC BAG



taske  
tasche  
sac

Ready to tote your groceries or on-the-go essentials?

Just reach inside and grab the integrated handles. Stronger and more durable than plastic.

What is your choice?

**Style no.** 1016  
**Size** 10 x 34 x 40 cm / 3.9 x 13.4 x 15.7"  
**Weaving** Heavy canvas  
**Material** 100% GOTS certified organic cotton  
**MOQ** 4 pieces

RRP  
**DKK** 175,-  
**EUR** 24.90  
**NOK** 270,-  
**SEK** 270,-  
**GBP** 22.00  
**USD-L** 32.00  
**CAD-L** 39.00



NEW  
COLOR  
OUR

**stone**  
no. 202



**clay**  
no. 225



**teak**  
no. 240



**khaki**  
no. 215



**grey blue**  
no. 510



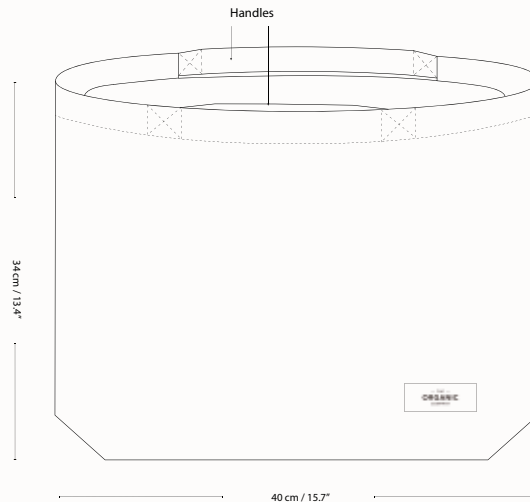
**dark blue**  
no. 500



**black**  
no. 100



**pale rose**  
no. 331





IN 2022, 5 TRILLION PLASTIC BAGS WERE USED.\* THAT'S 160,000 EVERY SECOND!



# NET BAG



pose  
beutel  
sachet

Did you know that we use around two million single use, plastic bags every minute, on a global scale?

The Net bag is a reusable bag that replaces disposable bags. It is safe as food storage or to carry your accessories around.

What is your choice?



**stone**  
no. 202



**clay**  
no. 225



**dark green**  
no. 400



**dusty lavender**  
no. 340



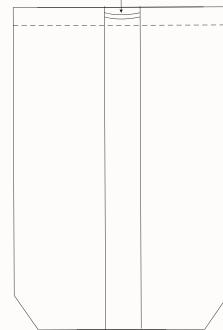
## SMALL

**Style no.** 1107  
**Size** 22 x 16 x 6 cm / 2.32 x 6.3 x 8.6"  
**Weaving** Net fabric (10's x 10's)  
**Material** 100% GOTS certified organic cotton  
**MOQ** 8 pieces

## RRP

**DKK** 50,-  
**EUR** 7.90  
**NOK** 70,-  
**SEK** 70,-  
**GBP** 7.00  
**USD-L** 10.00  
**CAD-L** 13.00

String



## MEDIUM

**Style no.** 1108  
**Size** 24 x 30 x 8 cm / 3.1 x 11.8 x 9.8"  
**Weaving** Net fabric (10's x 10's)  
**Material** 100% GOTS certified organic cotton  
**MOQ** 8 pieces

## RRP

**DKK** 60,-  
**EUR** 8.90  
**NOK** 90,-  
**SEK** 90,-  
**GBP** 8.00  
**USD-L** 11.00  
**CAD-L** 14.00

## LARGE

**Style no.** 1109  
**Size** 30 x 40 x 12 cm / 4.7 x 11.8 x 15.7"  
**Weaving** Net fabric (10's x 10's)  
**Material** 100% GOTS certified organic cotton  
**MOQ** 8 pieces

## RRP

**DKK** 75,-  
**EUR** 10.90  
**NOK** 110,-  
**SEK** 110,-  
**GBP** 9.50  
**USD-L** 14.00  
**CAD-L** 18.00



# NET SHOULDER BAG

pose  
beutel  
sachet

Our Net shoulder bag is developed for your daily life - to easily carry all your groceries and accessories on your shoulder.

Designed with a wide and solid, integrated handle, making it comfortable to carry and with strong support all around.

A spacious reusable net bag to help replace the use of disposable bags. Combine with our smaller net bags to keep your shopping organized.



NEW  
COL  
OUR

stone  
no. 202



clay  
no. 225



teak  
no. 240



khaki  
no. 215



black  
no. 100



dark green  
no. 400

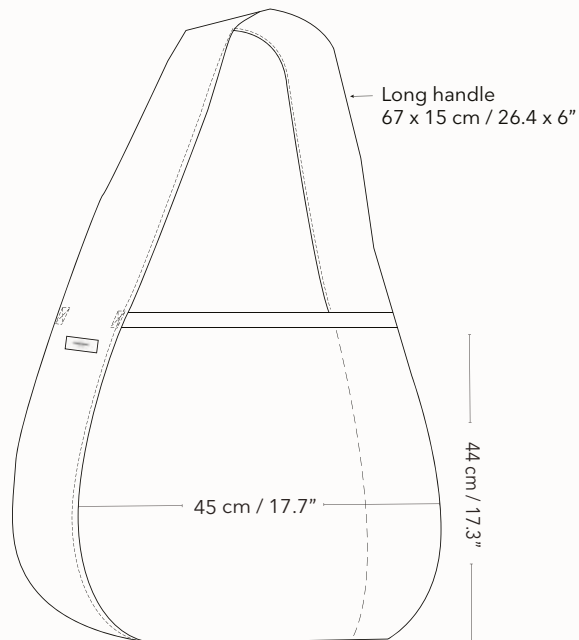


dusty lavender  
no. 340



<b>Style no.</b>	1153
<b>Size</b>	44 x 45 x 15 cm / 17 x 17.7 x 6"
<b>Weaving</b>	Net fabric (10's x 10's), Plain weave double
<b>Material</b>	100% GOTS certified organic cotton
<b>MOQ</b>	8 pieces

	RRP
<b>DKK</b>	165,-
<b>EUR</b>	22.90
<b>NOK</b>	255,-
<b>SEK</b>	255,-
<b>GBP</b>	20.00
<b>USD-L</b>	28.00
<b>CAD-L</b>	38.00











100%  
ORGANIC  
COTTON







# BIG SHOULDER BAG

taske  
tasche  
sac

Our Japanese inspired Big Shoulder Bag is designed for both everyday life and joyful weekends, as a tribute to Japanese design traditions.

Spacious and big enough to hold your favorite things on the go.

Developed with an adjustable, strong carrying strap and adjustable side straps to resize the bag for all purposes.

Includes a zippered external pocket for fast access to your smaller items and keys, and an internal pocket and strap for holding and organizing content inside the bag.

Made with beautiful and practical details in a durable, heavy canvas weave of organic cotton to be enjoyed for a long time.

<b>Style no.</b>	1137
<b>Size</b>	40 x 44 x 17 cm / 15.7 x 17 x 6.7"
<b>Weaving</b>	Heavy canvas
<b>Material</b>	100% GOTS certified organic cotton
<b>MOQ</b>	2 pieces

	RRP
<b>DKK</b>	865,-
<b>EUR</b>	122.90
<b>NOK</b>	1220,-
<b>SEK</b>	1220,-
<b>GBP</b>	109.00
<b>USD-L</b>	140.00
<b>CAD-L</b>	180.00

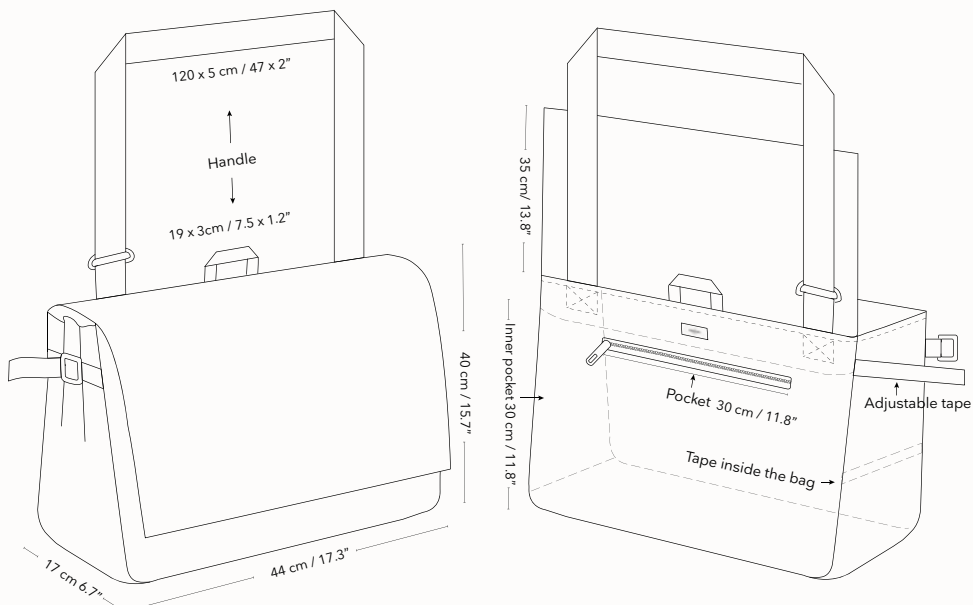
**murakami - clay**  
no. 227



**hayao - grey blue**  
no. 512



**rei - dark blue**  
no. 502



# LARGE PURSE

pung  
kleine tasche  
pochette

Our large purse/pouch is designed to hold and organize your everyday accessories.

Practical for taking accessories like your phone charger or makeup on the go.

Made in durable canvas of organic cotton and designed to be enjoyed for a long time.

**murakami - clay**  
no. 227



**hayao - grey blue**  
no. 512

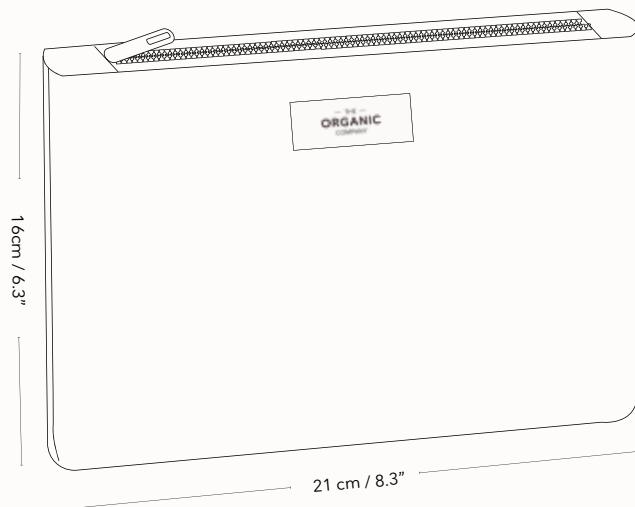


**rei - dark blue**  
no. 502



<b>Style no.</b>	1150
<b>Size</b>	21 x 16 cm / 8.2 x 6.3"
<b>Weaving</b>	Heavy canvas
<b>Material</b>	100% GOTS certified organic cotton
<b>MOQ</b>	4 pieces

	RRP
<b>DKK</b>	150,-
<b>EUR</b>	20.90
<b>NOK</b>	215,-
<b>SEK</b>	215,-
<b>GBP</b>	18.50
<b>USD-L</b>	27.00
<b>CAD-L</b>	36.00



# PURSE

pung  
kleine tasche  
pochette

Our small purse is designed to hold your bank and identity cards as well as other small accessories. A small inner pocket keeps your coins safe.

Made in durable canvas of organic cotton and designed to be enjoyed for a long time.

**murakami - clay**  
no. 227



**hayao - grey blue**  
no. 512

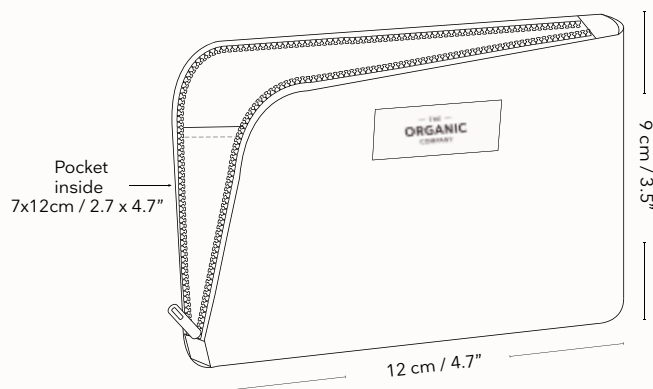


**rei - dark blue**  
no. 502



<b>Style no.</b>	1151
<b>Size</b>	12 x 9 cm / 4.7 x 3.5"
<b>Weaving</b>	Heavy canvas
<b>Material</b>	100% GOTS certified organic cotton
<b>MOQ</b>	4 pieces

	RRP
<b>DKK</b>	125,-
<b>EUR</b>	17.90
<b>NOK</b>	175,-
<b>SEK</b>	175,-
<b>GBP</b>	16.00
<b>USD-L</b>	23.00
<b>CAD-L</b>	28.00





A photograph of a wooden door with a black panel. The door has two blue door knobs. The text is overlaid on the black panel.

Choose  
reusable  
items to  
minimize  
single use





# PENCIL CASE

penalhus  
federtasche  
trousse

Our minimalistic pencil case is designed to keep your pens, pencils or makeup accessories nicely organized.

Made in durable canvas of organic cotton and designed to be enjoyed for a long time.

**murakami - clay**  
no. 227



**hayao - greyblue**  
no. 512

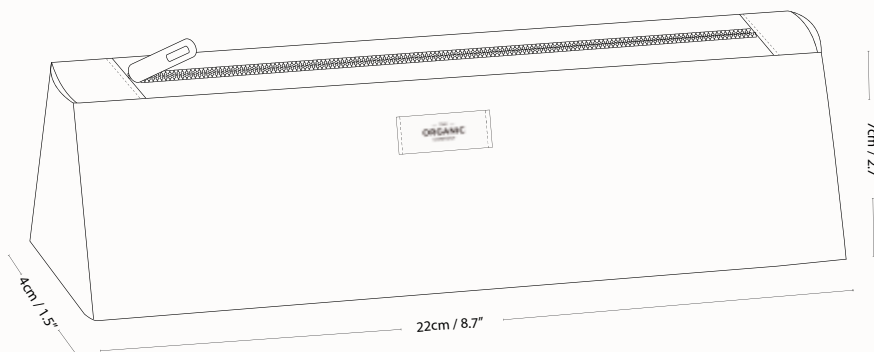


**rei - darkblue**  
no. 502



<b>Style no.</b>	1152
<b>Size</b>	22 x 7 x 4 cm / 8.6 x 2.7 x 1.5"
<b>Weaving</b>	Heavy canvas
<b>Material</b>	100% GOTS certified organic cotton
<b>MOQ</b>	4 pieces

	RRP
<b>DKK</b>	145,-
<b>EUR</b>	20.90
<b>NOK</b>	210,-
<b>SEK</b>	210,-
<b>GBP</b>	18.50
<b>USD-L</b>	26.00
<b>CAD-L</b>	34.00



# LAUNDRY AND STORAGE BAG

taske  
tasche  
sac

clay  
no. 225



dark grey  
no. 110

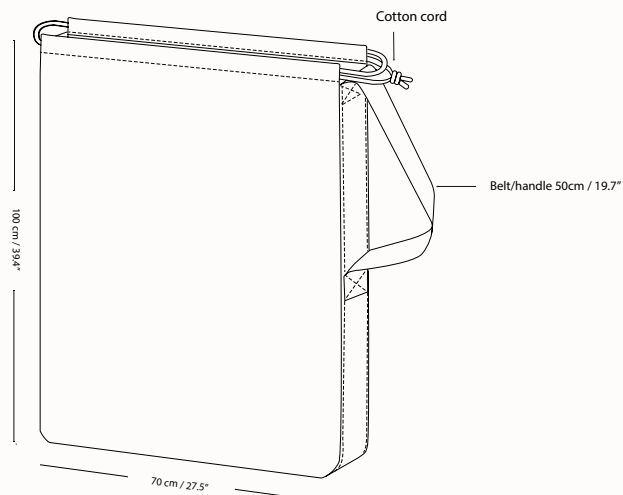


For storage here, there and everywhere.

With this big organic beauty bag with drawstrings and a handle, you can simply store textiles, toys and other stuff out in the open.

**Style no.** 1008  
**Size** 70 x 100 cm / 27.6 x 39.4"  
**Weaving** Half panama  
**Material** 100% GOTS certified organic cotton  
**MOQ** 2 pieces

RRP  
**DKK** 325,-  
**EUR** 44.90  
**NOK** 475,-  
**SEK** 475,-  
**GBP** 40.00  
**USD-L** 58.00  
**CAD-L** 74.00





# IT MATTERS BAG



taske  
tasche  
sac

This bag might be your favorite for many years to come. For groceries, the gym and everyday life.

If you replace disposable bags with our It Matters Bag you will help to save the planet from hundreds of disposable bags.



clay  
no. 225



dark green  
no. 400



dark grey  
no. 110



dusty lavender  
no. 340



khaki  
no. 215



<b>Style no.</b>	1128
<b>Size</b>	50 x 35 x 15 cm / 19.7 x 13.8 x 5.9"
<b>Weaving</b>	Plain
<b>Material</b>	100% GOTS certified organic cotton
<b>MOQ</b>	8 pieces

	RRP
<b>DKK</b>	140,-
<b>EUR</b>	19.90
<b>NOK</b>	205,-
<b>SEK</b>	205,-
<b>GBP</b>	17.50
<b>USD-L</b>	26.00
<b>CAD-L</b>	35.00



# BIG LONG BAG

taske  
tasche  
sac

When you carry things for weekend trips, stay-overs and so on.

With our big bag, you can be sure of strength and design and of course it is made from organic cotton.



stone  
no. 202



clay  
no. 225



grey blue  
no. 510

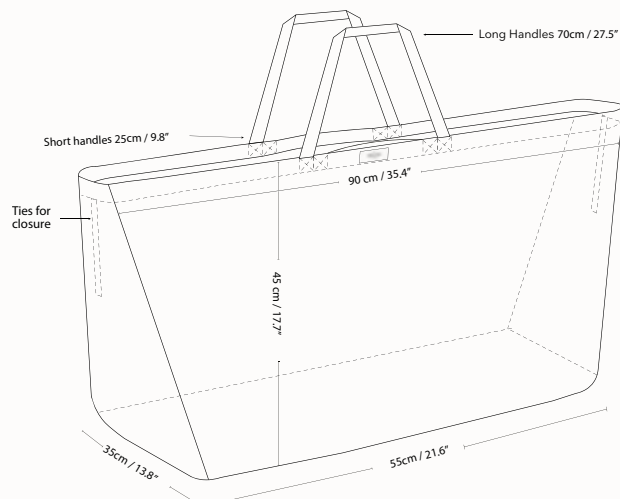


black  
no. 100



<b>Style no.</b>	1009
<b>Size</b>	35 x 45 x 90 cm / 13.8 x 35.4 x 17.7"
<b>Weaving</b>	Heavy canvas
<b>Material</b>	100% GOTS certified organic cotton
<b>MOQ</b>	2 pieces

	RRP
<b>DKK</b>	695,-
<b>EUR</b>	98.90
<b>NOK</b>	1.025,-
<b>SEK</b>	1.025,-
<b>GBP</b>	86.00
<b>USD-L</b>	115.00
<b>CAD-L</b>	150.00



# ALL PURPOSE BAG SET

pose  
beutel  
sachet



B  
U  
N  
D  
L  
E  
O  
F  
F  
E  
R

Get started with our All Purpose Bag Set of three. One small, one medium and one large.

Perfect for organizing your cloth, shoes and small items when traveling.



**clay**  
no. 225



**dusty mint**  
no. 410



**grey blue**  
no. 510

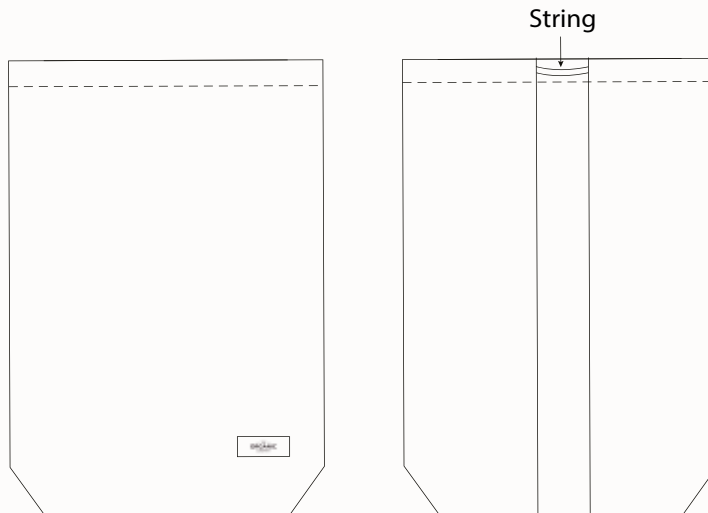


**dark blue**  
no. 500



	SET OF 3
<b>Style no.</b>	1115
<b>Size</b>	Small: 16 x 22 x 6 cm / 2.3 x 6.3 x 8.7" Medium: 24 x 30 x 8 cm / 3.1 x 9.4 x 11.8" Large: 30 x 40 x 12 cm / 4.7 x 11.8 x 15.7"
<b>Weaving</b>	Gauze
<b>Material</b>	100% GOTS certified organic cotton
<b>MOQ</b>	8 sets

	RRP
<b>DKK</b>	70,-
<b>EUR</b>	10.90
<b>NOK</b>	95,-
<b>SEK</b>	95,-
<b>GBP</b>	8.00
<b>USD-L</b>	13.50
<b>CAD-L</b>	16.50



# GIFT WRAPPING SET



gaveindpakning  
verpackung  
emballage

Wrapping paper is often used only once and creates massive waste. Therefore, our Nordic version of the Japanese 'Furoshiki' makes so much sense.

Can be used and reused as many times as you want while you enjoy the creative process of wrapping many beautiful presents.

What is your choice?

	SET OF 3
<b>Style no.</b>	1092
<b>Size</b>	Set of three pieces - one piece 45 x 45 cm, one piece 60 x 60 cm, one piece 75 x 75 cm / 17.7 x 17.7 / 23.6 x 23.6 / 29.5 x 29.5"
<b>Weaving</b>	Plain
<b>Material</b>	100% GOTS certified organic cotton
<b>MOQ</b>	4 sets

	RRP
<b>DKK</b>	195,-
<b>EUR</b>	27.90
<b>NOK</b>	295,-
<b>SEK</b>	295,-
<b>GBP</b>	25.00
<b>USD-L</b>	36.00
<b>CAD-L</b>	46.00

## OCEAN SET

no. 983

**sky**

no. 570



**grey blue**

no. 510



**dark blue**

no. 500



## EARTH SET

no. 981

**khaki**

no. 215



**stone**

no. 202



**clay**

no. 225



## FLORAL SET

no. 982

**coral**

no. 385



**pale rose**

no. 331



**dusty lavender**

no. 340











Balance is  
key for  
planet and  
people to  
feel good

There is sold more  
organic cotton than  
there is produced -  
The GOTS standard is  
your guarantee  
that the products you  
buy are in fact organic





# RELAX AND MEDITATION





## 6-LAYER SOFT BLANKET

tæppe  
decke  
couverture

Delicate throw for the many times you are needing that extra cosy layer. At home or when outdoors, taking care of yourself.

Pure and soft on your skin with no less than six organic cotton lightweight layers.

Keeping you warm for your meditative and relaxing moment.



**clay**  
no. 225



**dark grey**  
no. 110



**stone**  
no. 202

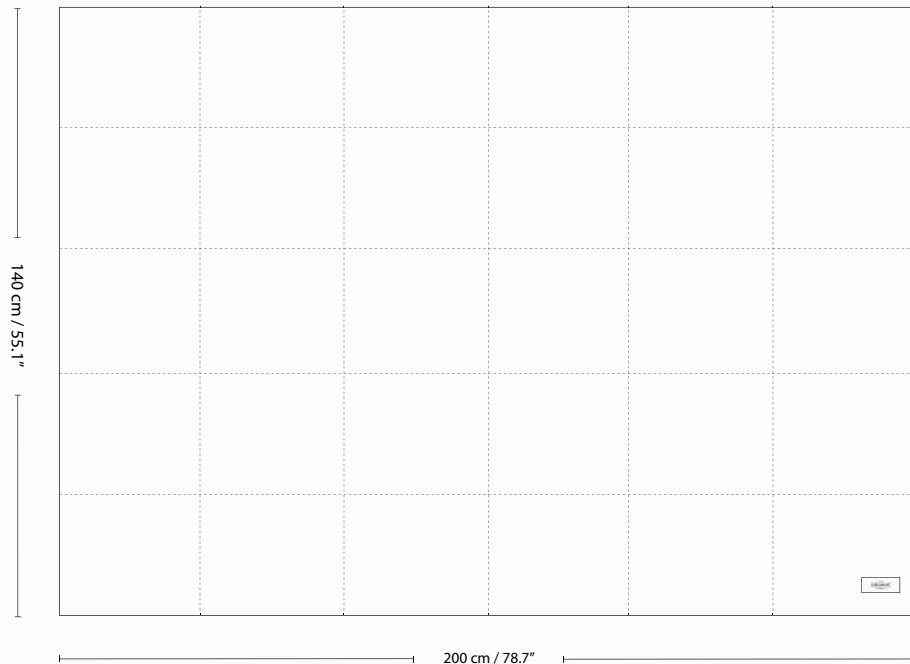


**dusty lavender**  
no. 340



<b>Style no.</b>	1063
<b>Size</b>	140 x 200 cm / 55.1 x 78.7"
<b>Weaving</b>	Gauze
<b>Material</b>	100% GOTS certified organic cotton
<b>MOQ</b>	2 pieces

	RRP
<b>DKK</b>	1195,-
<b>EUR</b>	169.90
<b>NOK</b>	1685,-
<b>SEK</b>	1685,-
<b>GBP</b>	150.00
<b>USD-L</b>	220.00
<b>CAD-L</b>	270.00



# RELAX AND MEDITATION CUSHION

pude  
kissen  
coussin

For a better posture when meditating and doing some seated yoga poses. Filled with pure organic cotton to support an organic lifestyle in balance.

Washable cover.



dusty lavender  
no. 340



stone  
no. 202



clay  
no. 225



dark blue  
no. 500

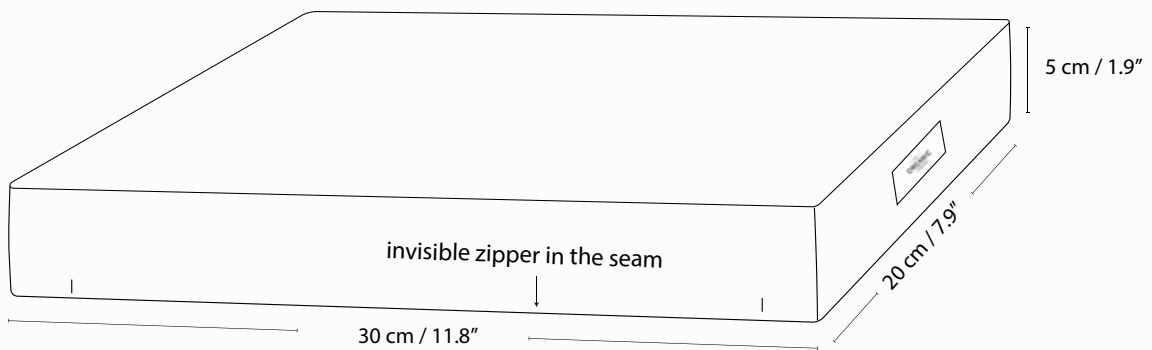


dark grey  
no. 110



<b>Style no.</b>	1167
<b>Size</b>	30 x 20 x 5 cm / 11.8 x 7.9 x 2.0"
<b>Weaving</b>	Heavy canvas
<b>Material</b>	100% GOTS certified organic cotton
<b>MOQ</b>	4 pieces

	RRP
<b>DKK</b>	175,-
<b>EUR</b>	24.90
<b>NOK</b>	270,-
<b>SEK</b>	270,-
<b>GBP</b>	22.00
<b>USD-L</b>	32.00
<b>CAD-L</b>	39.00



# MEDITATION MATTRESS - TO GO

madras  
matte  
matelas

Meditation is for many the key to inner peace.

Our mattress is developed to make it easier for you to reach this state of mind; it's soft, comfortable and made from pure organic cotton, also on the inside.

Easy to carry with the accompanying belt. Washable cover and easy to bring along, to go.



dark blue  
no. 500

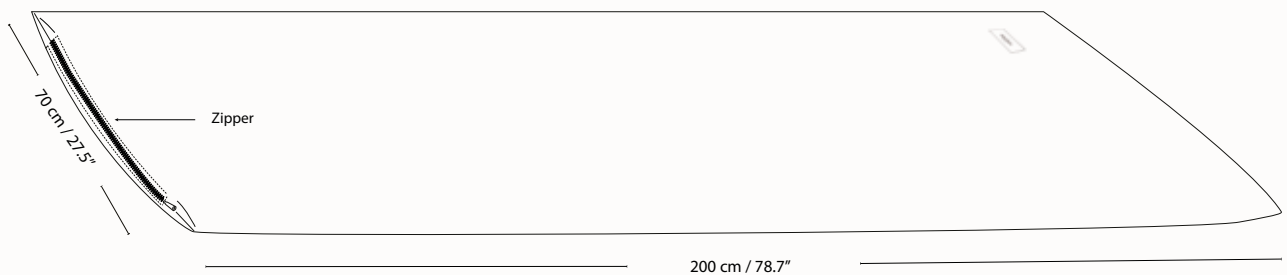


dark grey  
no. 110



<b>Style no.</b>	1064
<b>Size</b>	70 x 200 cm / 1.2 x 27.5 x 78.7"
<b>Weaving</b>	Herringbone, organic cotton wadding
<b>Material</b>	100% GOTS certified organic cotton
<b>MOQ</b>	2 pieces

	RRP
<b>DKK</b>	1345,-
<b>EUR</b>	190.90
<b>NOK</b>	1975,-
<b>SEK</b>	1975,-
<b>GBP</b>	160.00
<b>USD-L</b>	230.00
<b>CAD-L</b>	310.00



# MEDITATION MATTRESS

clay  
no. 225



madras  
matte  
matelas

Meditation is for many the key to inner peace.

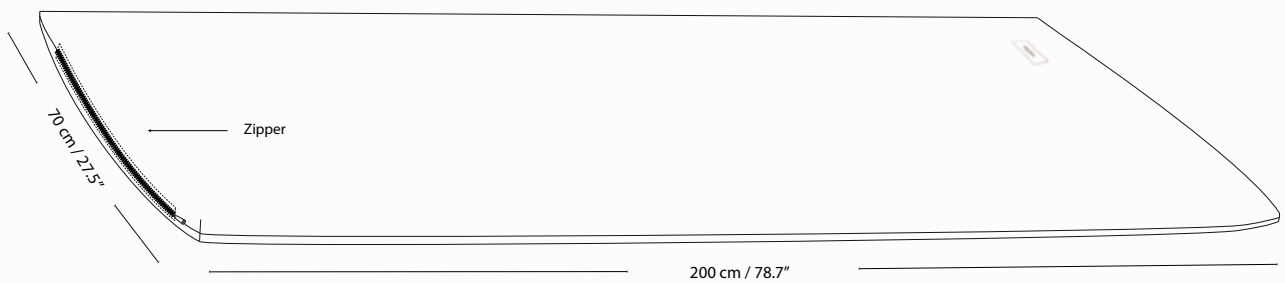
Our mattress is developed to make it easier for you to reach this state of mind; it's soft, comfortable and made from pure organic cotton, also on the inside.

Washable cover.



<b>Style no.</b>	1126
<b>Size</b>	70 x 200 cm / 1.2 x 27.5 x 78.7"
<b>Weaving</b>	Canvas, organic cotton wadding
<b>Material</b>	100% GOTS certified organic cotton
<b>MOQ</b>	2 pieces

	RRP
<b>DKK</b>	1345,-
<b>EUR</b>	190.90
<b>NOK</b>	1975,-
<b>SEK</b>	1975,-
<b>GBP</b>	160.00
<b>USD-L</b>	230.00
<b>CAD-L</b>	310.00











Feel life  
fully  
by being  
present  
in the  
moment

Care for  
and repair your  
textiles to save on  
nature's resources



# CAREE FIND REPAIR



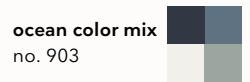
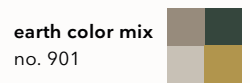
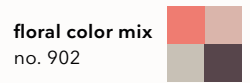


# MENDING KIT

sysæt  
un nécessaire à couture  
flickzeug für nähen

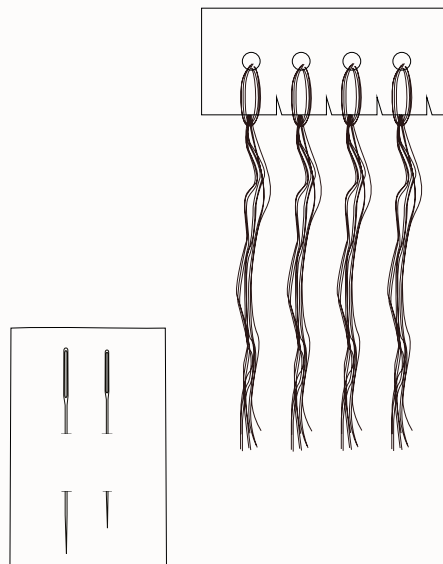
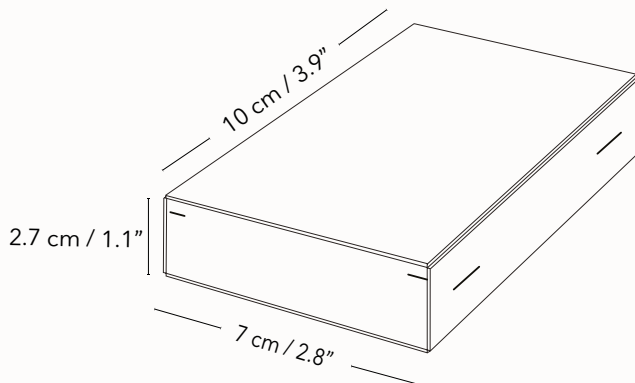
Repair, mend, fix, decorate and personalise. This mending kit helps you repair your things to make them last longer. Let's do what we can to extend the life and value of our things.

The set contains:  
Embroidery yarn in four different colours (60 cm x 10 pieces), two needles (small and big eye), one tool box, and one inspirational leaflet.



<b>Style no.</b>	1172
<b>Size</b>	Tool box: 10 x 7 x 2,7 cm / 3.9 x 2.8 x 1.1"
<b>Material</b>	Tool box: FSC certified recycled cardboard Yarn: 100% GOTS certified organic cotton Other: Miscellaneous
<b>MOQ</b>	4 pieces

	RRP
<b>DKK</b>	50,-
<b>EUR</b>	6.90
<b>NOK</b>	70,-
<b>SEK</b>	70,-
<b>GBP</b>	6.00
<b>USD-L</b>	10.00
<b>CAD-L</b>	12.00



# MENDING TOOL KIT

classic color mix  
no. 974



sysæt  
un nécessaire à couture  
flickzeug für nähen

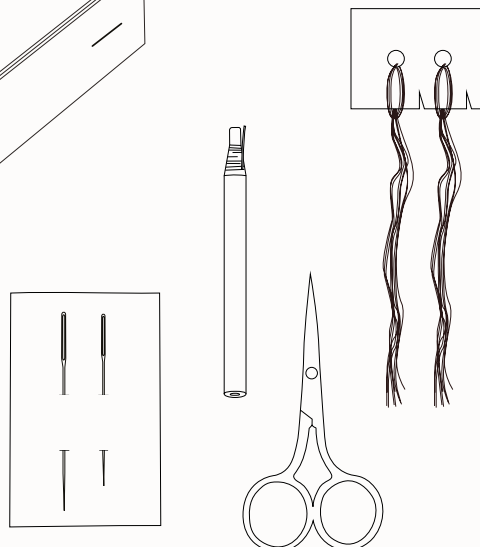
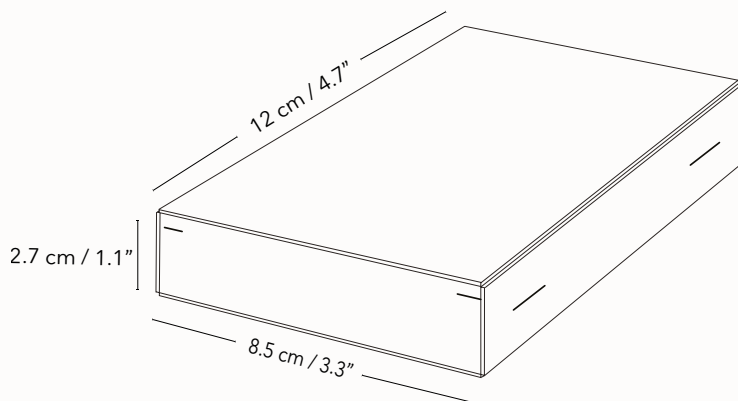
**The Tool Kit contains:**  
Embroidery yarn in dark grey and stone colours (60 cm x 10 pieces), two needles (small and big eye), a chalk pencil, one pair of stainless steel scissors, one tool box, and one inspirational leaflet.

The box is made from 100% recycled FSC certified cardboard. And it is produced at HKI's cartonnage in Copenhagen. Hans Knudsen Institute helps educate and employ people who are outside of the regular labor market due to physical, psychological, or social challenges.



<b>Style no.</b>	1173
<b>Size</b>	Tool box: 12 x 8,5 x 2,7 cm / 4.7 x 8.5 x 1.1"
<b>Material</b>	Tool box: FSC certified recycled cardboard Yarn: 100% GOTS certified organic cotton Other: Miscellaneous
<b>MOQ</b>	4 pieces

	RRP
<b>DKK</b>	75,-
<b>EUR</b>	9.90
<b>NOK</b>	100,-
<b>SEK</b>	100,-
<b>GBP</b>	9.00
<b>USD-L</b>	13.00
<b>CAD-L</b>	18.00



# WASHING BAG SET

vaskepose  
wäschesack  
sac à linge

natural white  
no. 200



clay  
no. 225



One set contains 3 different sizes.  
one small, one medium and one large bag.

Our washing bag is an alternative to:

- 1) washing bags made of plastic
- 2) not using a protective bag

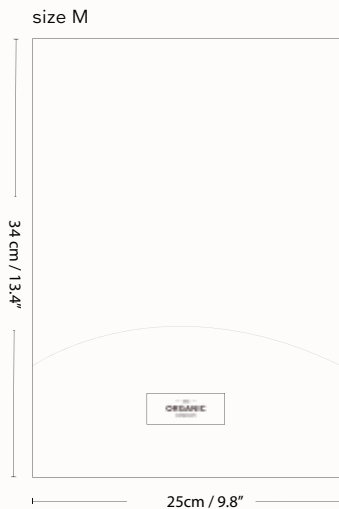
Helps to make your most delicate clothes last longer.

What is your choice?

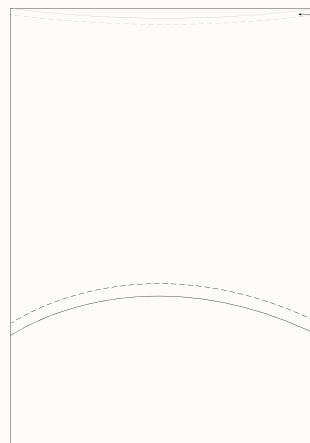


SET	1090
<b>Style no.</b>	1090
<b>Size</b>	S: 17 x 25 cm / 6.7 x 9.8" M: 25 x 34 cm / 9.8 x 13.4" L: 34 x 50 cm / 13.4 x 19.7"
<b>Weaving</b>	Gauze
<b>Material</b>	100% GOTS certified organic cotton
<b>MOQ</b>	8 sets

	RRP
<b>DKK</b>	165,-
<b>EUR</b>	22.90
<b>NOK</b>	255,-
<b>SEK</b>	255,-
<b>GBP</b>	20.00
<b>USD-L</b>	28.00
<b>CAD-L</b>	38.00



FRONT



This opening at the top is inside (under flap)

BACK

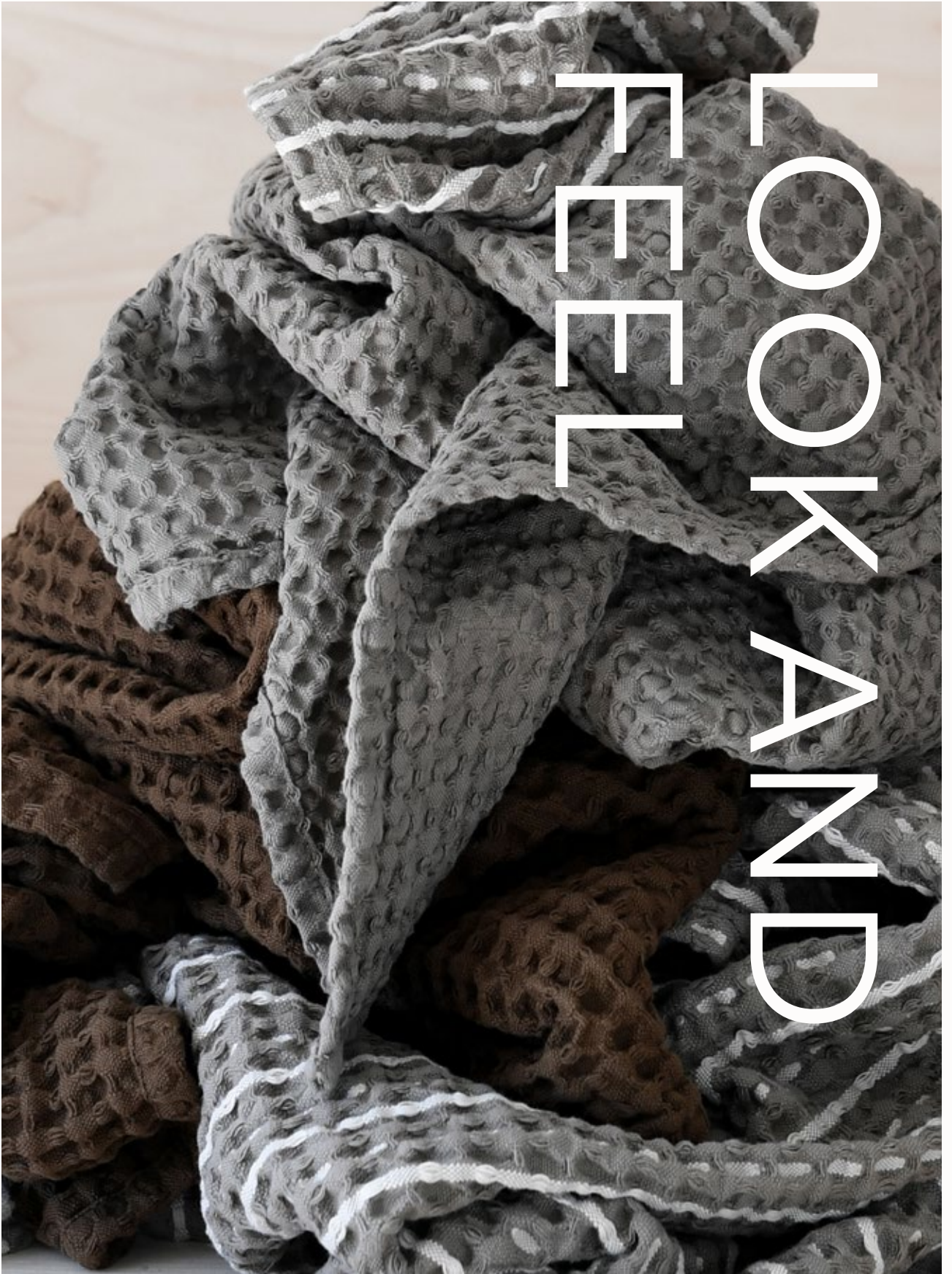


THE  
ORGANIC  
COMPANY



Our products are made in  
colours and high quality  
that last - season after  
season - year after year





LOOK AND  
FEEL





CHAKRA N°3

ESSENCE DE CHAKRA

ESSENCE DE CHAKRA

ESSENCE DE CHAKRA

ESSENCE DE CHAKRA

ESSENCE DE CHAKRA

ESSENCE DE CHAKRA

ESSENCE DE CHAKRA

ESSENCE DE CHAKRA

ESSENCE DE CHAKRA

ESSENCE DE CHAKRA

ESSENCE DE CHAKRA

ESSENCE DE CHAKRA

ESSENCE DE CHAKRA

ESSENCE DE CHAKRA

ESSENCE DE CHAKRA

ESSENCE DE CHAKRA

ESSENCE DE CHAKRA

ESSENCE DE CHAKRA

ESSENCE DE CHAKRA

ESSENCE DE CHAKRA

ESSENCE DE CHAKRA

ESSENCE DE CHAKRA

ESSENCE DE CHAKRA

ESSENCE DE CHAKRA

ESSENCE DE CHAKRA

ESSENCE DE CHAKRA

ESSENCE DE CHAKRA

ESSENCE DE CHAKRA

ESSENCE DE CHAKRA

ESSENCE DE CHAKRA

ESSENCE DE CHAKRA

ESSENCE DE CHAKRA

ESSENCE DE CHAKRA

ESSENCE DE CHAKRA

ESSENCE DE CHAKRA

ESSENCE DE CHAKRA

ESSENCE DE CHAKRA

ESSENCE DE CHAKRA

ESSENCE DE CHAKRA

ESSENCE DE CHAKRA

ESSENCE DE CHAKRA

ESSENCE DE CHAKRA

ESSENCE DE CHAKRA

ESSENCE DE CHAKRA

ESSENCE DE CHAKRA

ESSENCE DE CHAKRA

ESSENCE DE CHAKRA

ESSENCE DE CHAKRA

ESSENCE DE CHAKRA

ESSENCE DE CHAKRA

ESSENCE DE CHAKRA

ESSENCE DE CHAKRA

ESSENCE DE CHAKRA

ESSENCE DE CHAKRA

ESSENCE DE CHAKRA

ESSENCE DE CHAKRA

ESSENCE DE CHAKRA

ESSENCE DE CHAKRA

ESSENCE DE CHAKRA

ESSENCE DE CHAKRA

ESSENCE DE CHAKRA

ESSENCE DE CHAKRA

ESSENCE DE CHAKRA

ESSENCE DE CHAKRA

ESSENCE DE CHAKRA

ESSENCE DE CHAKRA

ESSENCE DE CHAKRA

ESSENCE DE CHAKRA

# SEASONAL COLOURS

We have curated a selection of soft blue tones and calm colours for fall and winter from our existing colour palette.

This season we are also introducing a new colour – TEAK  
Teak will be a part of our core colours, introducing warmth, grounding and wooden tones to the existing palette.

The seasonal colour collection consists of our CORE COLOURS - all time staples. And four ACCENTS COLOURS - bringing contrast and life.

## CORE COLOURS



## ACCENT COLOURS





# POS MATERIAL

We have POS material to help you display our product, organise the smaller items and come across with what The Organic Company is all about.

It is here to support to your store presentation.

**T-TABLE DISPLAY** made in iron  
(55 x 43-81 cm / 21.6 x 16.9-31.9")

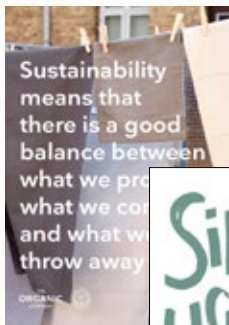
**L-TABLE DISPLAY** made in iron  
(27,5 x 43-81 cm / 10.8 x 16.9-31.9")

**A5 CLIPBOARD** made with FCS certified wood  
(17 x 24 x 5cm / 6.7 x 9.4 x 1.9")

**A5 POST CARDS** with pictures and statements

**LOGO BLOCK** made with FCS cetified wood  
(24 x 18 x 3 cm / 9.4 x 7.1 x 1.2")

**TRAY BOX SET** made from recycled paper and textiles.  
(Set of small, medium and large tray box)



# THE ORGANIC COMPANY

## THE ORGANIC COMPANY APS

Rådmandsgade 10A  
2200 Copenhagen N  
Denmark  
+45 42151111  
info@theorganiccompany.dk

www.theorganiccompany.dk  
www.theorganiccompanydk.com



@theorganiccompany



The.Organic.Company

## DENMARK, SWEDEN AND SWITZERLAND

The Organic Company  
sales@theorganiccompany.dk  
+45 42151111  
www.theorganiccompany.dk

## NORWAY

Chakra Agenturer  
charlotte@chakra-agenturer.no  
+47 90 60 82 95  
www.chakra-agenturer.no  
@chakraagenturer

## FINLAND

HR-Living  
info@hrliving.fi  
+35 8407005882  
www.hrliving.fi  
@hrliving

## UK AND IRELAND

Hyggen  
pianna@hyggen.co.uk  
+44 (0) 7990 800542  
www.hyggen.co.uk  
@hyggen\_pianna

## SOUTH EAST AND SOUTH WEST ENGLAND

Compendium  
lou@compendiumsales.co.uk  
+44 (0) 7931 588335  
@compendium\_sales

**BENELUX**

Gift Stories  
info@giftstories.nl  
+31 338870435  
www.giftstories.nl  
@giftstories.nl

**GERMANY AND AUSTRIA**

P4 Marketing  
dominique.vogel@p4marketing.de  
+49 176 - 5688 5485  
www.p4marketing.de/brands  
@p4marketing

**PARIS AND NORTHERN FRANCE**

Id+ Paris by Valrie Filiol  
valerie.filiol@dplusparis.fr  
+33 6 15 18 53 53

**WESTERN FRANCE**

Charlotte Benoit  
charlotte-benoit@wanadoo.fr  
+33 6 10 87 53 94

**SOUTH EAST FRANCE**

Showroom Capsule  
capsule.luberon@gmail.com  
+33 6 29 50 31 09  
@capsule\_luberon

**USA**

Hadley Rose  
suzanne@hadley-rose.com  
+1 561-212-4358  
www.hadley-rose.com  
@hadleyrose.us

**CANADA**

Warner McDaniel Agency  
warnermcdaniel@gmail.com  
+1 604-288-0050  
www.warnermcdanielagency.com  
@warnermcdanielagency

**AUSTRALIA & NEW ZEALAND**

Papaya Homewares  
info@papaya.com.au  
+61 2 8571 7777  
www.papaya.com.au  
@papayahomewares

**OTHER MARKETS**

The Organic Company  
sales@theorganiccompany.dk  
+45 42151111  
www.theorganiccompanydk.com

Copyright © 2022.  
All rights reserved.


*To download the product images  
used in the catalogue go to  
theorganiccompany.presscloud.com*



THE ORGANIC COMPANY

Rådmandsgade 10A, 1. floor  
2200 Copenhagen N  
Denmark  
info@theorganiccompany.dk  
+45 42151111

[www.theorganiccompany.dk](http://www.theorganiccompany.dk)  
[www.theorganiccompanydk.com](http://www.theorganiccompanydk.com)

 @theorganiccompany

