

CAPTURE MODULES



CAPTURE MODULES

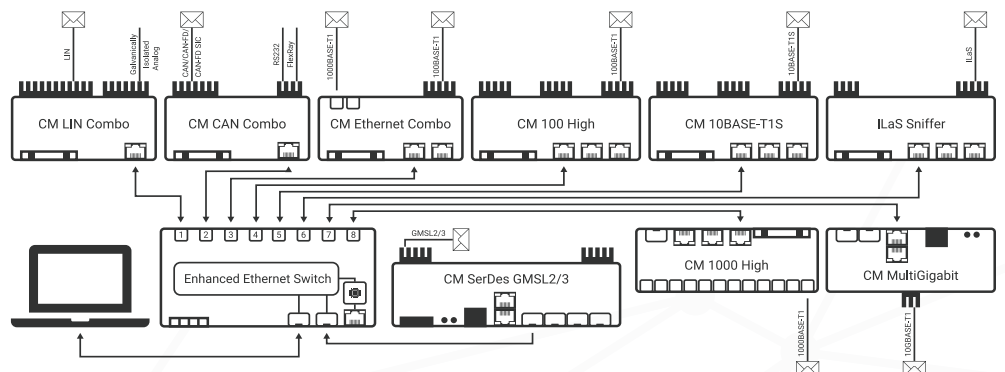
CAPTURE THE COMPLETE IN-VEHICLE-NETWORK

COMMON FEATURES:

- Easy configuration via webservice
- Precise hardware timestamping with nanoseconds of resolution for all captured messages
- Supports time synchronization (gPTP/802.1AS-2011 AVnu profile or PTPv2 subset) with Technica products and other compatible devices
- Optimized startup to be ready to log before the ECU sends its first message
- Built-in startup buffer to capture initial messages even if the logger or PC isn't ready yet
- Advanced filter with multiple actions and protocol options
- Supports TECMP and ASAM CMP* protocols with Wireshark integration for seamless analysis

*ASAM CMP supported by selected devices

**See also our coming soon devices at our homepage



CURRENT PORTFOLIO**



CAPTURE MODULE
1000 HIGH



CAPTURE MODULE
100 HIGH (TC10)



CAPTURE MODULE
LIN COMBO



CAPTURE MODULE
CAN COMBO



CAPTURE MODULE
SERDES GMSL2/3



CAPTURE MODULE
MULTIGIGABIT



CAPTURE MODULE
10BASE-T1S



ILAS SNIFFER