

Roxtec FlamePlus™ transit with extension

– a lightweight, fire rated solution for multiple cables and pipes

Roxtec FlamePlus™ transit with extension is a sealing solution featuring a fire rated plastic frame with a wide flange suitable for exterior wall penetrations in insulated sandwich panels and concrete walls. The lightweight modular design, including a pre-installed knock-out plate, provides IP protection already when installed in the wall opening. Once cables are routed and sealing modules are fitted, it meets fire requirements. The modules adapt to cables and pipes of different sizes.

No need for insulation

Cable and cavity insulation is not required to meet the integrity and temperature ratings. Thanks to the extension frame with intumescent material, attached to the backside, the transit forms a complete fire rated installation.



Benefits

- Lightweight
- No need for insulation
- Modular design including knock-out plate
- Openable frame for retrofit around existing cables and pipes

Ratings

- Rated EI 60 with fire from either side acc. to EN 1366-3
- Rated E120 with fire from extension side acc. to EN 1366-3
- IP 66 with modules installed
- IP 65 with knock-out plate

The Roxtec FlamePlus™ transit with extension is openable and scalable for additional capacity needs. Installation is ergonomic, easy on the installer and perfect for retrofits.

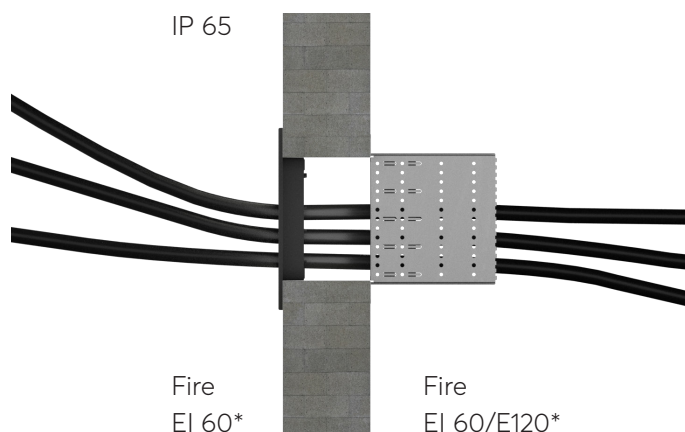
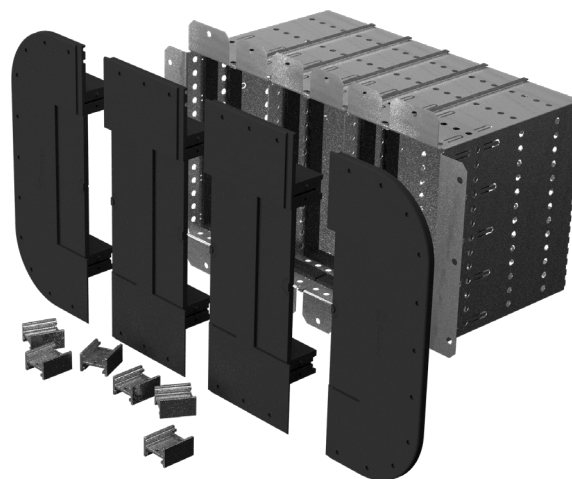
Reasons for using Roxtec FlamePlus™ transit with extension for cable sealing

In the construction industry, time and cost are important aspects to consider. Add the need for sustainable materials and care for the installer and the job becomes a challenge. The Roxtec FlamePlus™ transit with extension covers the need for speed, simplicity, flexibility, and reliable protection.

Insulated sandwich panels are common building elements, as they are lightweight and suitable for exterior and interior walls, roofs, and ceilings. The building envelope fire barrier, including the seals, must protect a structure from fire and natural hazards. It is required to limit fire spread from adjacent buildings or vehicles as well as fire originating from failure of electrical or mechanical equipment.

Suitable for many applications

Buildings for advanced operation and manufacturing, such as datacenters, semiconductor, and battery plants, require a significant amount of power and data transfer. Cables routed through the exterior fire wall must be sealed and the wall integrity kept. Traditional fire stop solutions can be challenging to work with and IP protection is not always consistent over the lifespan of the building. With this transit, it has become easy to secure long-term safety.



*Certificate pending for fire ratings in concrete walls.
Sandwich panel testing ongoing.

roxtec.com