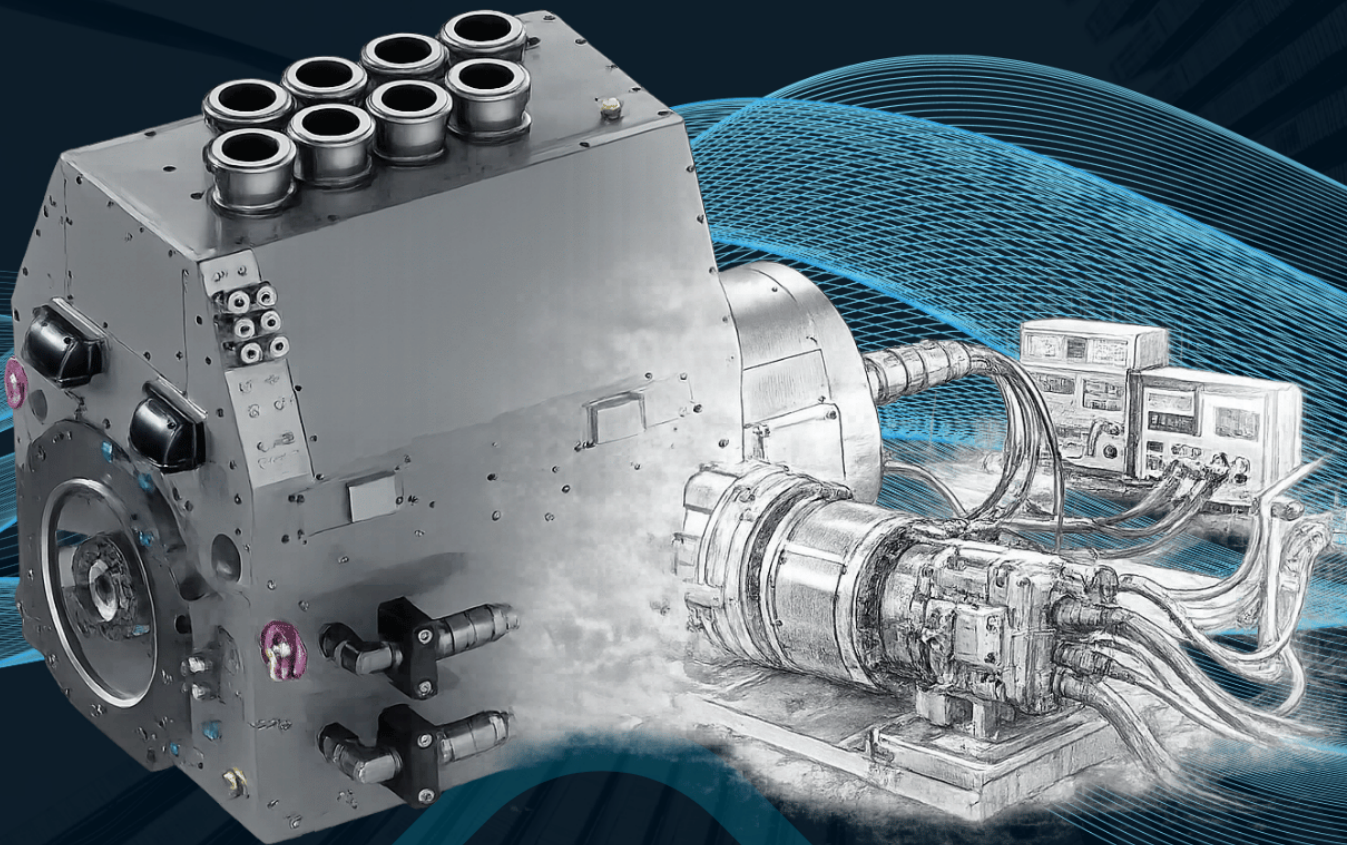


Customized Drive Solutions.

Customized drive systems for test benches.



- Up to 40.000 rpm
- Up to 3 MW
- ASM | PM | IPM

 made
 in
 Germany

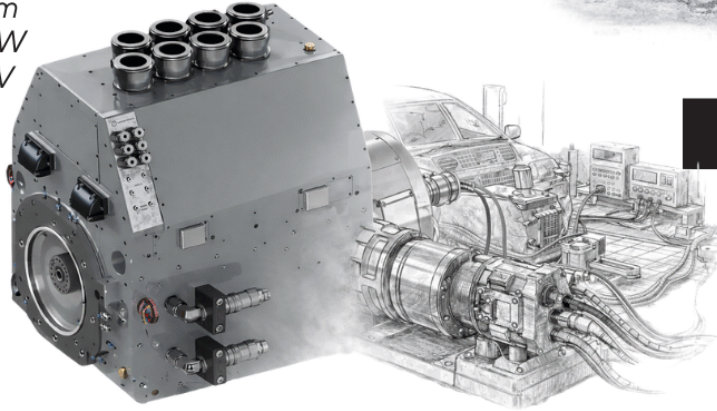
Electric solutions. Everywhere.

- **ASM | PM | IPM**
- Speed up to 40.000 rpm
- Power up to 1,5 MW



Powertrain | Drivetrain | Transmission

- **ASM | PM | IEC 200 - 355**
- Speed 75 - 6.000 rpm
- Power 250 - 1000 kW
- Voltage 400V - 690V
- Cooling: air | water



E-Motor Testing

- **PM | IEC 100 - 180**
- Speed 20.000 - 37.000 rpm
- Cooling: oil | water | air

Engine Testing

- **ASM | PM | IEC 160 - 355**
- Speed 3.000 - 10.000 rpm
- Cooling: air | water

NVH

- **ASM | PM | IEC 280 - 355**
- Speed 750 - 6.000 rpm
- Power 250 - 750 kW
- Cooling: oil | water

Defense | Heavy Duty | Marine

- **ASM | PM | IEC 355 - 630**
- Speed 50- 6.000 rpm
- Power 250 kW - 1,5 MW

Energy | Hydro Power

Customized solutions
up to 3 MW.

