

BESPOKE INFLATABLE TECHNOLOGY

LEADING THE INDUSTRY FOR NEARLY TWO DECADES



FREESTYLE[®]
SLIDES

ABOUT

THE FREESTYLE APPROACH TO INNOVATION AND DESIGN

Founded in 2002, our vision was to bring the waterpark and theme park experience to beaches around the world. We saw a need for high end, high quality inflatables that would fill a void in the luxury market and that could compete with hard sided permanent attractions. This led us to develop the world's largest inflatable water slide which eventually became the first ever attraction to be placed directly on a public beach in the US on a permanent basis. From there a whole new product line was born. Over the last two decades we have designed, engineered and built many world's firsts and in 2016 set a Guinness World Records title for the "World's Tallest Inflatable Water Slide".

In 2008 we invented the first ever sealed – air inflatable water slide for yachts. This opened the door for us to create a new range of custom products which now includes inflatable toys, pools and docking systems. A new industry was born and a niche market was created because of our drive, our inspiration and our passion. They say that imitation is the highest form of flattery, and we have certainly come to experience that. It has become somewhat of a hallmark for us and is partly what motivates us to continue to lead our industry through innovation, design and technology. We are now known worldwide for our bespoke inflatable technology.

CONTENTS

YACHT SLIDES	4
✦ CRUISER FLEX	6 & 7
✦ CRUISER IS	8 & 9
✦ CRUISER NLS	10 & 11
✦ CRUISER LS	12 & 13
✦ CRUISER XS	14 & 15
✦ CRUISER CS	16 & 17
HYBRID	18 - 21
DOCKING SYSTEMS	22 & 23
✦ RECREATIONAL DOCKS	24 - 29
✦ LUXURY DOCKS	30 - 33
✦ UTILITY DOCKS	34 - 37
SEA POOLS	38 & 43
ROCK WALLS	44 & 45
TRAMPOLINE	46 & 47
LAUNCHER	48 & 49
RAIL & FLIER	50 & 51
FENDERS	52 & 53
OEM SOLUTIONS	54 & 55
CUSTOMIZE & DESIGN	56 - 59



FREESTYLE
SLIDES

YACHT SLIDES

THE WORLD'S FIRST SEALED AIR
INFLATABLE YACHT SLIDE



CRUISER FLEX
CRUISER LS

CRUISER IS
CRUISER XS

CRUISER NLS
CRUISER CS

FREESTYLE
SLIDES



CRUISER FLEX

PROPRIETARY SLIDE TECHNOLOGY

The Cruiser Flex Slide (adjustable slide) is the culmination of many years of R & D and valuable feedback from our customer base. The Cruiser Flex consists of a uniquely designed slide body with a curvature at the foot end and a separate stair base at the top end, allowing the slide to adjust to the changing water line. This technology has been incorporated into most of our other slide ranges. The Cruiser Flex can be custom built to your exact specifications or you can purchase one of 4 different stock sizes. Custom colors and logos are available upon request.



PRODUCT SPECIFICATIONS

- Adjusts to changes in waterline
- Separate stair base
- Design allows for "no leg support" up to 14m high
- Made from 29oz firmatex with ultra UV stabilization
- Patented internal design with 4 layer welding
- Lifting anchors rated 1000kg breaking strength
- All D-ring anchors and handles RF welded
- Side arm tubes all welded onto structure
- Available in our LITE option with 20% savings on weight & 10% on storage
- Height ranges 2.20m – 14.0m

SIZES

- Flex S – fits height range 4m – 5.5m
- Flex M – fits height range 5.5m – 6.7m
- Flex L – fits height range 6.7m – 8.1m
- Flex XL – fits height range 8.1m – 9.1m

WHAT'S INCLUDED

- 2 x Extra air stair bladders
- 1 x Digital Pressure Gauge 15psi
- 4 x 15m Dacron ropes plus 2x 3m Dacron ropes for lashing
- 2 x 2kw Bravo inflation pumps with two extra pump fittings
- 2 x Venturi Inflation Guns
- 2 x Extra Inflation valves
- 1 x inflation Valve Wrench/Spanner
- 1 x Extra 1.8psi pressure relief valve
- 1 x PRV Wrench/Spanner
- 1 x Accessory Bag
- 1 x Repair kit
- 1 x 4 strap Lifting Harness with Carabiners
- 1 x Custom Lifting bag/Storage bag
- 1 x Owner's manual

5 YEAR WARRANTY – INDUSTRY FIRST

With the advancement of our bespoke technology, and nearly two decades of research and development both in house and in the field, we are proud to offer the first five year warranty in the industry for all of our SEA products.



CRUISER IS

INTERMEDIATE SLIDE

The Cruiser IS (Intermediate Slide) is specifically designed for smaller vessels in mind. The smaller footprint and lighter weight allows for easier use and storage. The Cruiser IS is custom built to your exact specifications and includes your choice of an array of colors and logo options to match the branding of your yacht.



PRODUCT SPECIFICATIONS

- Specifically designed for those needing a smaller slide below 5m
- Width of slide is 127cm (50") being 20cm narrower than NLS
- Made from 29oz firmatex with ultra UV stabilization
- Patented internal design with 4 layer welding
- Lifting anchors rated 1000kg breaking strength
- All D-ring anchors and handles RF welded
- Side arm tubes all welded onto structure
- Available in our LITE option with 20% savings on weight & 10% on storage
- Flex Slide features can be incorporated into the IS design
- Height ranges 2.20m – 5m

WHAT'S INCLUDED

- 2 x Extra air stair bladders
- 1 x Digital Pressure Gauge 15psi
- 4 x 15m Dacron ropes plus 2x 3m Dacron ropes for lashing
- 2 x 2kw Bravo inflation pumps with two extra pump fittings
- 2 x Venturi Inflation Guns
- 2 x Extra Inflation valves
- 1 x inflation Valve Wrench/Spanner
- 1 x Extra 1.8psi pressure relief valve
- 1 x PRV Wrench/Spanner
- 1 x Accessory Bag
- 1 x Repair kit
- 1 x 4 strap Lifting Harness with Carabiners
- 1 x Custom Lifting bag/Storage bag
- 1 x Owner's manual

5 YEAR WARRANTY - INDUSTRY FIRST

With the advancement of our bespoke technology, and nearly two decades of research and development both in house and in the field, we are proud to offer the first five year warranty in the industry for all of our SEA products.



CRUISER NLS

NO LEG SLIDE

The Cruiser NLS (No Leg Slide) is designed as a streamlined alternative to our Cruiser LS (Leg Slide). The Cruiser NLS is custom built to your exact specifications and includes your choice of an array of colors and logo options to match the branding of your yacht.



WHAT'S INCLUDED

- 2 x Extra air stair bladders
- 1 x Digital Pressure Gauge 15psi
- 4 x 15m Dacron ropes plus 2x 3m Dacron ropes for lashing
- 2 x 2kw Bravo inflation pumps with two extra pump fittings
- 2 x Venturi Inflation Guns
- 2 x Extra Inflation valves
- 1 x inflation Valve Wrench/Spanner
- 1 x Extra 1.8psi pressure relief valve
- 1 x PRV Wrench/Spanner
- 1 x Accessory Bag
- 1 x Repair kit
- 1 x 4 strap Lifting Harness with Carabiners
- 1 x Custom Lifting bag/Storage bag
- 1 x Owner's manual

PRODUCT SPECIFICATIONS

- Specially designed to function without the need of a support leg
- Made from 29oz firmatex with ultra UV stabilization
- Patented internal design with 4 layer welding
- Lifting anchors rated 1000kg breaking strength
- All D-ring anchors and handles RF welded
- Side arm tubes all welded onto structure
- Available in our LITE option up to 9m with 20% savings on weight & 10% on storage
- Height ranges 5m – 14m

5 YEAR WARRANTY - INDUSTRY FIRST

With the advancement of our bespoke technology, and nearly two decades of research and development both in house and in the field, we are proud to offer the first five year warranty in the industry for all of our SEA products.



CRUISER LS

LEG SLIDE

The Cruiser LS (Leg Slide) is designed with a leg support for slides over 14m in height. The leg support is engineered so that there is minimal hull contact to prevent paint chafing. The Cruiser LS is custom built to your exact specifications and includes your choice of an array of colors and logo options to match the branding of your yacht.



WHAT'S INCLUDED

- 2 x Extra air stair bladders
- 1 x Digital Pressure Gauge 15psi
- 4 x 15m Dacron ropes plus 2x 3m Dacron ropes for lashing
- 2 x 2kw Bravo inflation pumps with two extra pump fittings
- 2 x Venturi Inflation Guns
- 2 x Extra Inflation valves
- 1 x inflation Valve Wrench/Spanner
- 1 x Extra 1.8psi pressure relief valve
- 1 x PRV Wrench/Spanner
- 1 x Accessory Bag
- 1 x Repair kit
- 1 x 4 strap Lifting Harness with Carabiners
- 1 x Custom Lifting bag/Storage bag
- 1 x Owner's manual

PRODUCT SPECIFICATIONS

- Specially designed with a support leg for slide heights in excess of 14m but can be used on smaller slides based on owner preference
- Made from 29oz firmatex with ultra UV stabilization
- Patented internal design with 4 layer welding
- Lifting anchors rated 1000kg breaking strength
- All D-ring anchors and handles RF welded
- Side arm tubes all welded onto structure
- Available in our LITE option up to 9m with 20% savings on weight & 10% on storage
- Height ranges 7m – 17m

5 YEAR WARRANTY - INDUSTRY FIRST

With the advancement of our bespoke technology, and nearly two decades of research and development both in house and in the field, we are proud to offer the first five year warranty in the industry for all of our SEA products.



CRUISER XS

CROSSOVER SLIDE

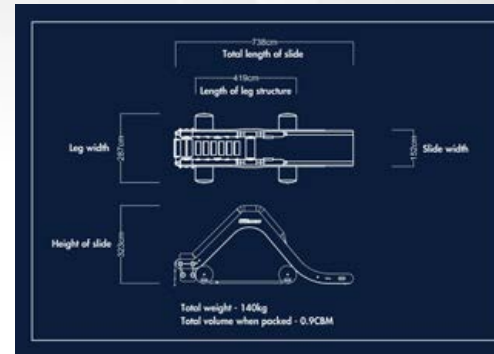
The Cruiser XS (Crossover Slide) is designed as a freestanding slide with minimal storage requirements. The Cruiser XS can be engineered to attach to the swim platform or simply anchored to your vessel with mooring ropes. Custom colors and logos are available upon request.



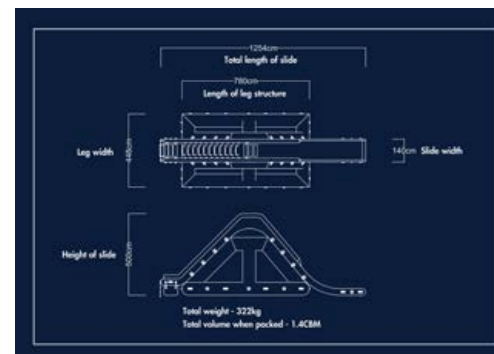
PRODUCT SPECIFICATIONS

- Specifically designed as a “one size fits all” slide
- Can be mounted directly to yacht swim platform or can float flush in the water
- Made from 29oz firmatex with ultra UV stabilization
- Patented internal design with 4 layer welding
- All D-ring anchors and handles RF welded
- Side arm tubes all welded onto structure
- Comes in 3.23m and 5m height options
- Can be incorporated in our Cruiser Island

CRUISER XS 3.24M WEIGHTS AND DIMENSIONS



CRUISER XS 5M WEIGHTS AND DIMENSIONS



WHAT'S INCLUDED

- 2 x Extra air stair bladders
- 1 x Digital Pressure Gauge 15psi
- 4 x 15m Dacron ropes plus 2x 3m Dacron ropes for lashing
- 2 x 2kw Bravo inflation pumps with two extra pump fittings
- 2 x Venturi Inflation Guns
- 2 x Extra Inflation valves
- 1 x inflation Valve Wrench/Spanner
- 1 x Extra 1.8psi pressure relief valve
- 1 x PRV Wrench/Spanner
- 1 x Accessory Bag
- 1 x Repair kit
- 1 x 4 strap Lifting Harness with Carabiners
- 1 x Custom Lifting bag/Storage bag
- 1 x Owner's manual

5 YEAR WARRANTY - INDUSTRY FIRST

With the advancement of our bespoke technology, and nearly two decades of research and development both in house and in the field, we are proud to offer the first five year warranty in the industry for all of our SEA products.



CRUISER CS

CURVED SLIDE

The Cruiser CS (Curved Slide) is designed to propel the rider back towards the swim platform making it easier to board the yacht after sliding. The support base is engineered so that there is minimal hull contact to prevent paint chafing. The Cruiser CS is custom built to your exact specifications and includes your choice of an array of colors and logo options to match the branding of your yacht.



PRODUCT SPECIFICATIONS

- Designed with a custom curve of your choice
- Curves can be in one direction forming a C-shape or in two directions forming an S-shape
- Curves can be set to veer to the left or right side depending on where the rider needs to exit
- Multi-chambered leg support structure to allow inflation of base chamber first for easier installation
- Base chamber of leg support comes with reinforced mesh to allow crew to walk on during initial set-up
- Made from 29oz firmatex with ultra UV stabilization
- Patented internal design with 4 layer welding
- Lifting anchors rated 1000kg breaking strength
- All D-ring anchors and handles RF welded
- Side arm tubes all welded onto structure
- Height ranges 3m – 17m

WHAT'S INCLUDED

- 2 x Extra air stair bladders
- 1 x Digital Pressure Gauge 15psi
- 4 x 15m Dacron ropes plus 2x 3m Dacron ropes for lashing
- 2 x 2kw Bravo inflation pumps with two extra pump fittings
- 2 x Venturi Inflation Guns
- 2 x Extra Inflation valves
- 1 x inflation Valve Wrench/Spanner
- 1 x Extra 1.8psi pressure relief valve
- 1 x PRV Wrench/Spanner
- 1 x Accessory Bag
- 1 x Repair kit
- 1 x 4 strap Lifting Harness with Carabiners
- 1x Custom Lifting bag/Storage bag
- 1 x Owner's manual

5 YEAR WARRANTY - INDUSTRY FIRST

With the advancement of our bespoke technology, and nearly two decades of research and development both in house and in the field, we are proud to offer the first five year warranty in the industry for all of our SEA products.



HYBRID

PROUD SPONSOR OF THE YACHT CLUB DE MONACO

As a symbol of the ultimate in yacht toys, FreeStyle Slides recently customized the world's tallest yacht slide to attach to the brand new yacht Club de Monaco which opened in June of 2014. The FreeStyle Hybrid slide stands over 15m tall, launching sliders from the yacht Club's 3rd story, all the way down into the blue waters of the Mediterranean. "It's been a privilege and an honor to work with such a fine establishment as Yacht Club de Monaco", said Stephen Philp, owner of FreeStyle Slides. "We are proud to be one of their sponsors and excited about the opportunities that such a great partnership presents."





HYBRID

WHERE LAND MEETS SEA

The Hybrid is the ultimate showcase in inflatable slide technology and can be attached to temporary scaffolding systems, buildings and other types of existing structures. The Hybrid is designed to run into our landing bed or directly into a body of water. Each slide is a custom creation, designed and built to your exact specifications. Heights range from 20 feet to over 73 feet tall. Your purchase includes a fully comprehensive on-site training service, explaining set-up, maintenance and ride supervision. Custom colors and logos are available upon request.



PRODUCT SPECIFICATIONS

- Specially designed to secure and deploy off an existing land structure
- Made from 29oz firmatex with ultra UV stabilization
- Multi-chambered leg support structure that assists in lifting up the main slide body when inflated during installation
- Lifting anchors rated 1000kg breaking strength
- All D-ring anchors and handles RF welded
- Side arm tubes all welded onto structure

WHAT'S INCLUDED

- 2 x Digital Pressure Gauge 15psi
- 4 x 15m plus 4 x 10m plus 4 x 4m Dacron ropes for lashing
- 4 x 2kw Bravo inflation pumps with two extra pump fittings
- 2 x Venturi Inflation Guns
- 2 x Extra Inflation valves
- 1 x inflation Valve Wrench/Spanner
- 1 x Extra 1.8psi pressure relief valve
- 1 x PRV Wrench/Spanner
- 25 x Stainless carabiners
- 1 x Accessory Bag
- 1 x Repair kit
- 1 x 4 strap Lifting Harness with Carabiners
- 1x Custom Lifting bag/Storage bag
- 1 x Owner's manual



5 YEAR WARRANTY – INDUSTRY FIRST

With the advancement of our bespoke technology, and nearly two decades of research and development both in house and in the field, we are proud to offer the first five year warranty in the industry for all of our SEA products.

DOCKING SYSTEMS

CUSTOMIZED AND DESIGNED TO YOUR
EXACT SPECIFICATIONS



RECREATIONAL DOCKING

LUXURY DOCKING

UTILITY DOCKING

FREESTYLE
SLIDES



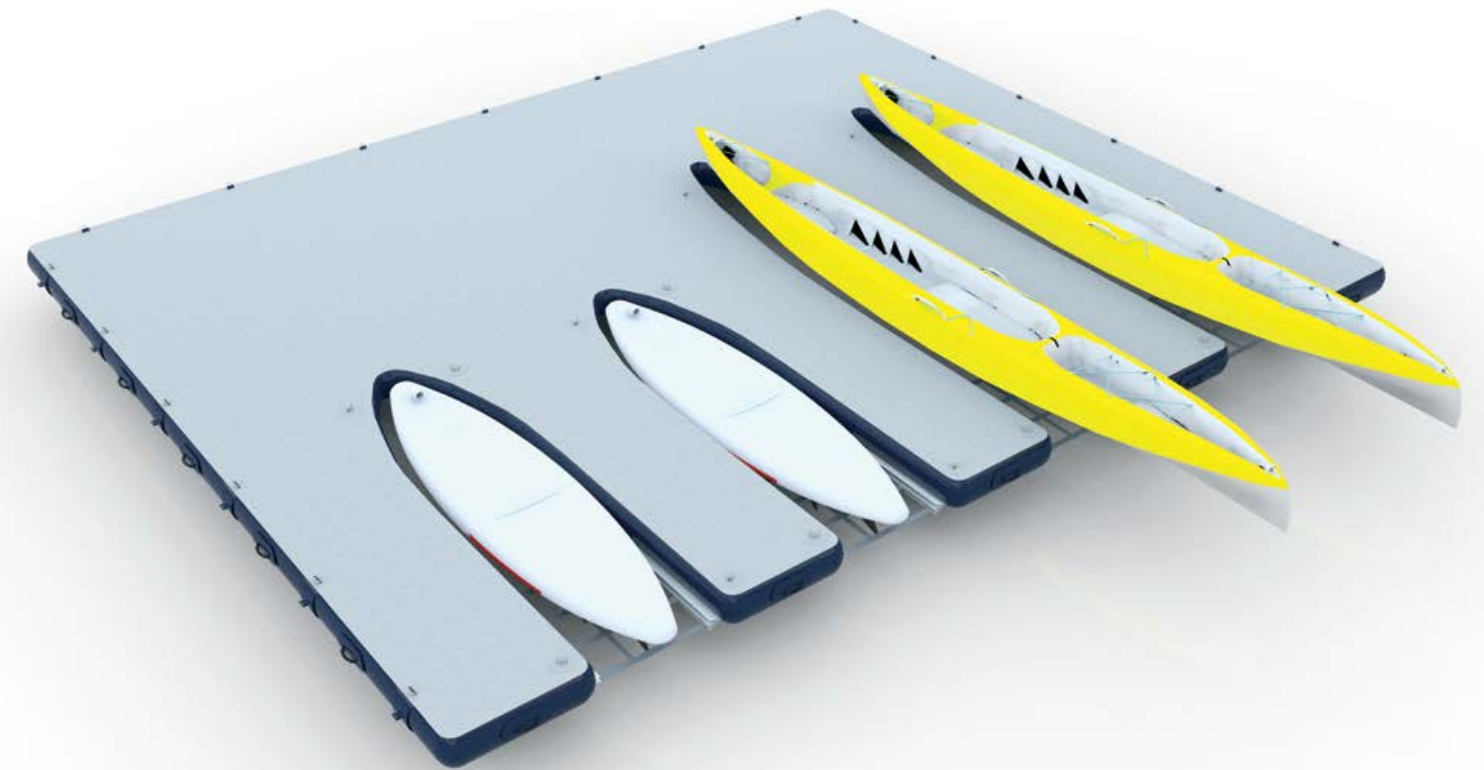
RECREATIONAL DOCKS

JET SKI. SEA BOBS. SUP. KAYAK.

Our Recreational Docking Systems are versatile floating platforms that are designed to dock Jet Skis, Seabobs, Sups and Kayaks. They are also perfect for lounging around and creating more space for activities off of the swim platform. Each dock is designed and engineered to your exact specifications and includes your choice of an array of colors and logo options to match the branding of your yacht. All docks are available in modular formats depending on the size and configuration that best suits your needs.

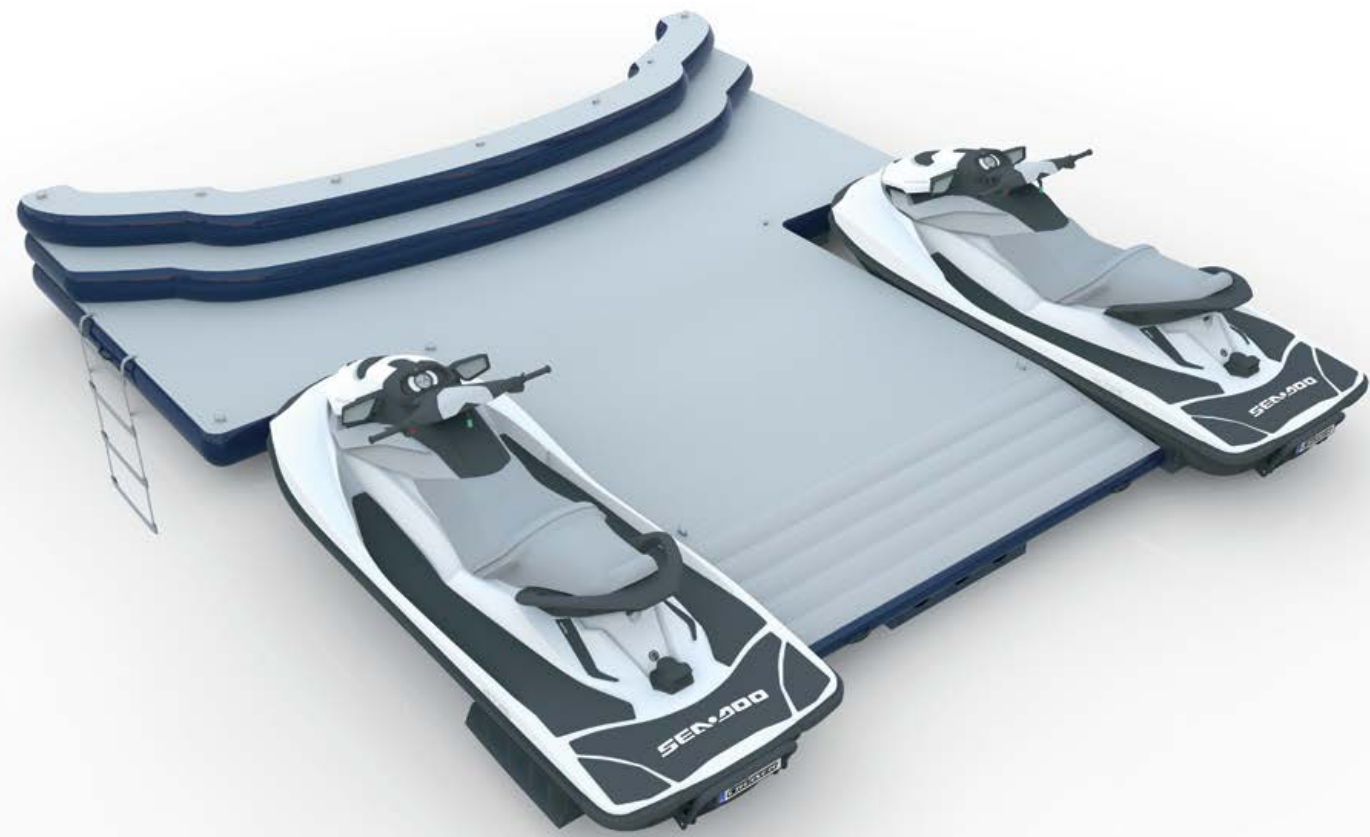


JET SKI AND SEA BOB



SUP AND KAYAK





T DOCK



RECREATIONAL DOCKS



PRODUCT SPECIFICATIONS

- Constructed using Firmatex drop-stitch with pressure rating up to 20psi (operational 8 – 13psi)
- Lifting, attachment, and mooring anchors rated in excess of 1000kg breaking strength
- Cut-outs custom designed to fit your brand of Jet-ski, Seabob, SUP or Kayak
- Jet-ski and Seabob bays fitted with removable dacron net to support ski when moored
- Seabob stations fitted with mooring D-rings and securing straps
- Firmatex 18oz non-skid available in a variety of colors including Faux teak
- Removable neoprene panels available for side walls as antichafing/anti-foul barriers
- Choice of rope ladders or submersible stairs or both which are detachable for easy storage
- Various attachment methods available for our modular docks including our latest stainless steel zipper system
- Oversized 2 inch inflation valves available for quick inflation
- Ballast water bags on underside of docks for stabilization (can be detachable)

WHAT'S INCLUDED

- 2 x Sea weight bags with each submersible stair
- 1 x 15psi Digital Pressure Gauge
- 4 x 15m plus 2 x 10m dacron ropes for lashing
- 2 x Bravo pumps with two extra pump fittings
- 2 x Venturi Guns for air compressor inflation
- 2 x Spare Inflation valves
- 1 x inflation Valve Wrench/Spanner
- 1 x Spare PRV
- 1 x PRV Wrench/Spanner
- 1 x Accessory Bag
- 1 x Repair kit bag
- 1 x 4 Strap Lifting Harness with stainless carabiners
- 1 x Lifting bag/Game bag with custom logo
- 1 x Owner's manual

5 YEAR WARRANTY - INDUSTRY FIRST

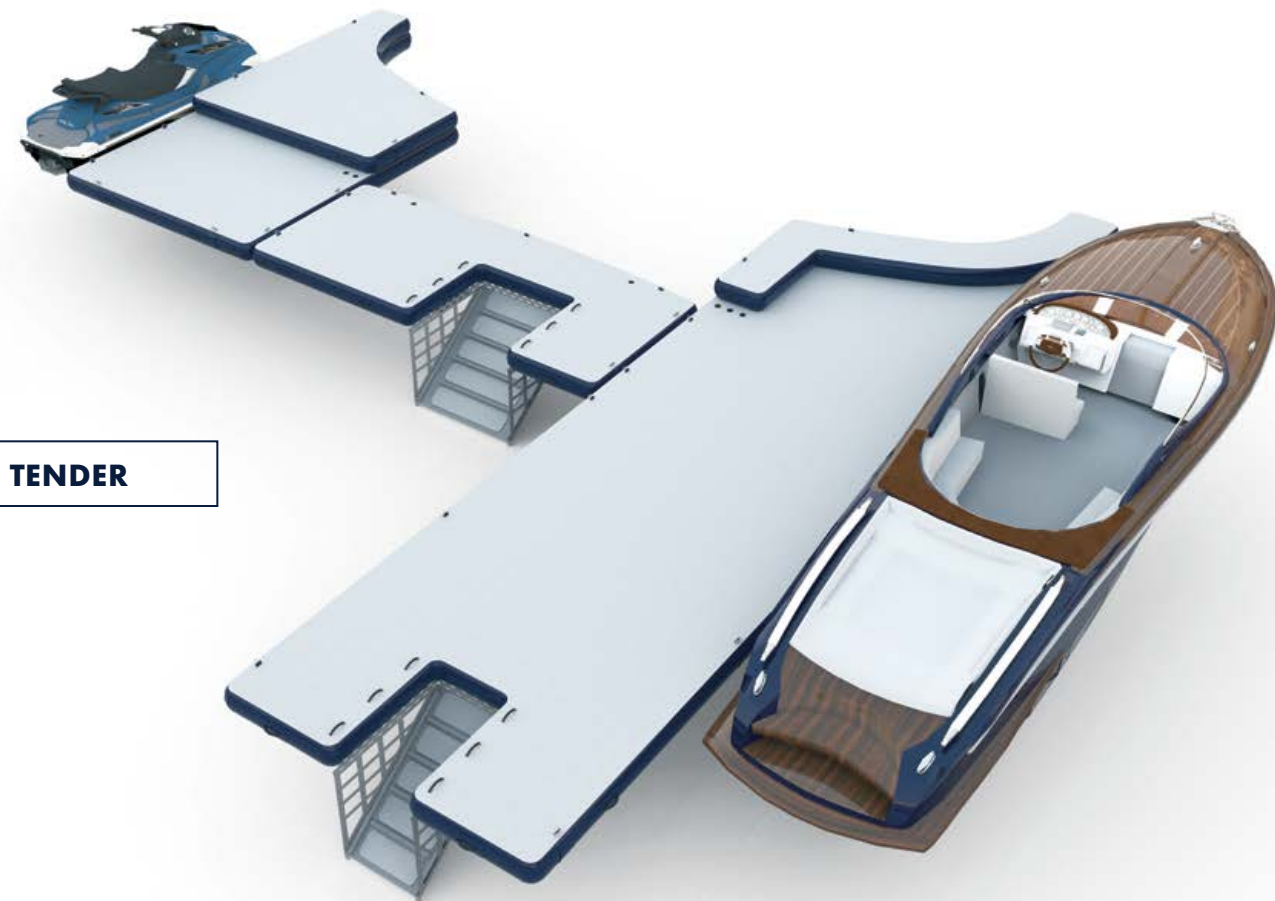
With the advancement of our bespoke technology, and nearly two decades of research and development both in house and in the field, we are proud to offer the first five year warranty in the industry for all of our SEA products.



LUXURY DOCKS

CUSTOMIZED AND DESIGNED
TO YOUR EXACT SPECIFICATIONS

Our Luxury Docking Systems are versatile floating platforms that are designed to dock Tenders, Submarines, Seaplanes and Helicopters. They are also perfect for lounging around and creating more space for activities off of the swim platform. Each dock is designed and engineered to your exact specifications and includes your choice of an array of colors and logo options to match the branding of your yacht. All docks are available in modular formats depending on the size and configuration that best suits your needs.



TENDER



SEAPLANE



HELICOPTER

CUSTOMIZED & DESIGNED

TO YOUR EXACT SPECS



SUBMARINE

WHAT'S INCLUDED

- 2 x Sea weight bags with each submersible stair
- 1 x 15psi Digital Pressure Gauge
- 4 x 15m plus 2 x 10m dacron ropes for lashing
- 2 x Bravo pumps with two extra pump fittings
- 2 x Venturi Guns for air compressor inflation
- 2 x Spare Inflation valves
- 1 x inflation Valve Wrench/Spanner
- 1 x Spare PRV
- 1 x PRV Wrench/Spanner
- 1 x Accessory Bag
- 1 x Repair kit bag
- 1 x 4 Strap Lifting Harness with stainless carabiners
- 1 x Lifting bag/Game bag with custom logo
- 1 x Owner's manual

PRODUCT SPECIFICATIONS

- Constructed using Firmatex drop-stitch with pressure rating up to 20psi (operational 8 – 13psi)
- Lifting, attachment, and mooring anchors rated in excess of 1000kg breaking strength
- Cut-outs custom designed to fit your model of Submarine or Seaplane
- Firmatex 18oz non-skid available in a variety of colors including Faux teak
- Removable neoprene panels available for side walls as antichafing/anti-foul barriers
- Choice of rope ladders or submersible stairs or both which are detachable for easy storage
- Various attachment methods available for our modular docks including our latest stainless steel zipper system
- Oversized 2 inch inflation valves available for quick inflation
- Ballast water bags on underside of docks for stabilization (can be detachable)

5 YEAR WARRANTY - INDUSTRY FIRST

With the advancement of our bespoke technology, and nearly two decades of research and development both in house and in the field, we are proud to offer the first five year warranty in the industry for all of our SEA products.

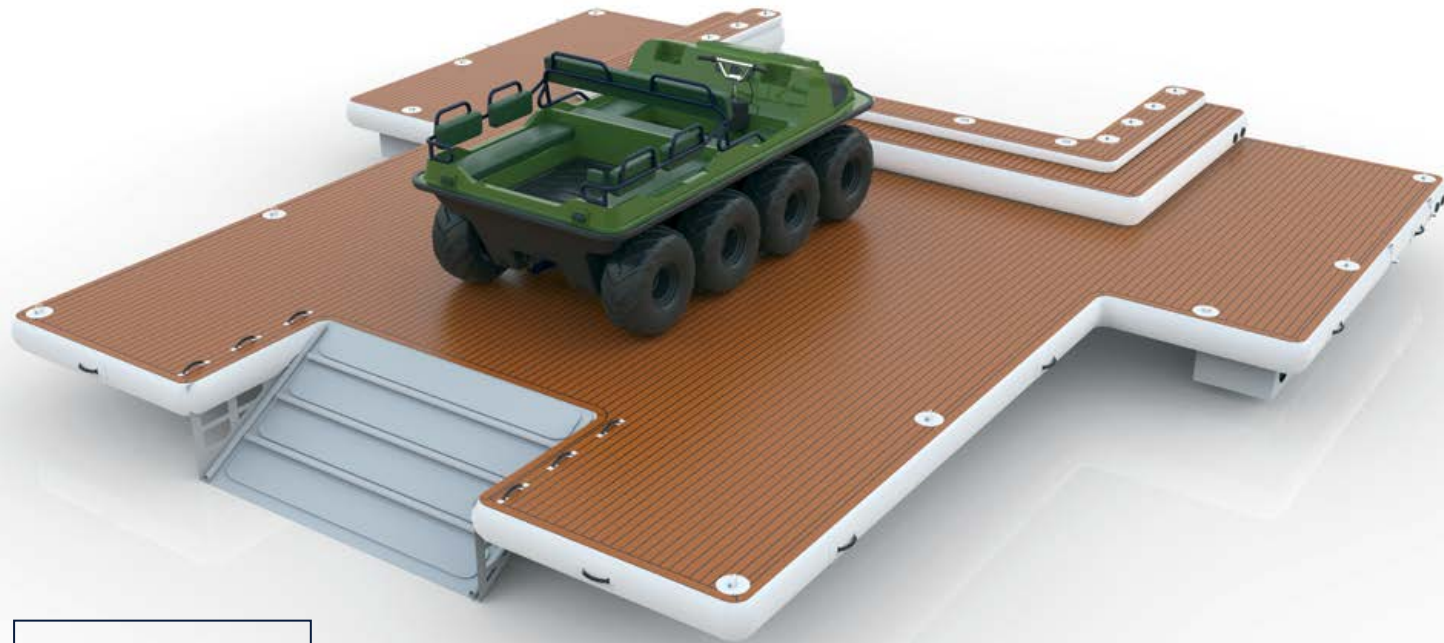


UTILITY DOCKS

ATV. WORK. CLEANING. BOARDING. WALKWAYS.

Our Utility Docking Systems are versatile floating platforms that are designed to create free access in and around your vessel, allowing you to perform any desired task. They are perfect for use when cleaning the hull, maintenance, docking ATV's, boarding and creating more space for activities off of the swim platform. Each dock is designed and engineered to your exact specifications and includes your choice of an array of colors and logo options to match the branding of your yacht. All docks are available in modular formats depending on the size and configuration that best suits your needs.





ATV

WALKWAY



UTILITY DOCKS

ATV. WORK. CLEANING. BOARDING. WALKWAYS.

BOARDING



WORK

WHAT'S INCLUDED

- 2 x Sea weight bags with each submersible stair
- 1 x 15psi Digital Pressure Gauge
- 4 x 15m plus 2 x 10m dacron ropes for lashing
- 2 x Bravo pumps with two extra pump fittings
- 2 x Venturi Guns for air compressor inflation
- 2 x Spare Inflation valves
- 1 x inflation Valve Wrench/Spanner
- 1 x Spare PRV
- 1 x PRV Wrench/Spanner
- 1 x Accessory Bag
- 1 x Repair kit bag
- 1 x 4 Strap Lifting Harness with stainless carabiners
- 1 x Lifting bag/Game bag with custom logo
- 1 x Owner's manual

PRODUCT SPECIFICATIONS

- Constructed using Firmatex drop-stitch with pressure rating up to 20psi (operational 8 – 13psi)
- Sealed air parts made from 29oz firmatex with ultra UV stabilization
- Lifting, attachment, and mooring anchors rated in excess of 1000kg breaking strength
- Firmatex 18oz non-skid available in a variety of colors including Faux teak
- Removable neoprene panels available for side walls as antichafing/anti-foul barriers
- Choice of rope ladders or submersible stairs or both which are detachable for easy storage
- Various attachment methods available for our modular docks including our latest stainless steel zipper system
- Oversized 2 inch inflation valves available for quick inflation
- Ballast water bags on underside of docks for stabilization (can be detachable)

5 YEAR WARRANTY – INDUSTRY FIRST

With the advancement of our bespoke technology, and nearly two decades of research and development both in house and in the field, we are proud to offer the first five year warranty in the industry for all of our SEA products.

An aerial photograph of a white yacht floating on clear, turquoise water. The yacht's deck is visible, featuring a circular pool and various seating areas. A large, rectangular area of the water surrounding the yacht is highlighted with a thick yellow border, representing the 'sea pool'. The yacht is anchored near a rocky coastline on the right side of the frame. The text 'SEA POOLS' is overlaid on the left side of the image.

SEA POOLS

LOUNGE POOLSIDE
FREE OF HARMFUL SEA LIFE

MODULAR BY DESIGN

CUSTOMIZED AND DESIGNED
TO YOUR EXACT SPECIFICATIONS





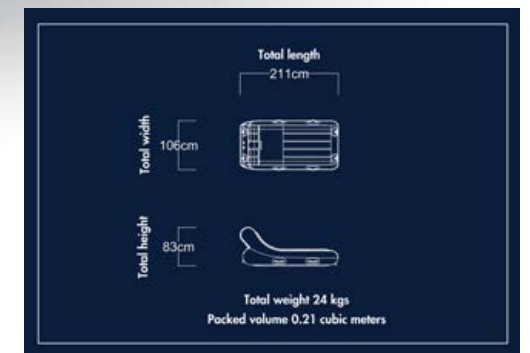
SEA POOLS

LOUNGE POOLSIDE FREE OF HARMFUL SEA LIFE

Our sea pools are the perfect addition to your toy collection. Lounge poolside free of harmful sea life or use one of our larger designs to swim laps. As with all of our other versatile floating platforms, the sea pool can be used for docking jet skis, suvs, kayaks and tenders. Each sea pool is designed and engineered to your exact specifications and includes your choice of an array of colors and logo options to match the branding of your yacht. All sea pools are available in modular formats depending on the size and configuration that best suits your needs.



LOUNGER WEIGHTS AND DIMENSIONS



PRODUCT SPECIFICATIONS

- Constructed using Firmatex drop-stitch with pressure rating up to 20psi (operational 8 – 13psi)
- Lifting, attachment, and mooring anchors rated in excess of 1000kg breaking strength
- Pool netting detachable with “Dutch Lacing” for easy storage and cleaning
- Firmatex 18oz non-skid available in a variety of colors including Faux teak
- Removable neoprene panels available for side walls as antichafing/anti-foul barriers
- Choice of rope ladders or submersible stairs or both which are detachable for easy storage
- Various attachment methods available for our modular pools including our latest stainless steel zipper system
- Oversized 2 inch inflation valves available for quick inflation

5 YEAR WARRANTY – INDUSTRY FIRST

With the advancement of our bespoke technology, and nearly two decades of research and development both in house and in the field, we are proud to offer the first five year warranty in the industry for all of our SEA products.

WHAT'S INCLUDED

- Sea weight bags and retrieval ropes based on size of pool
- 2 x Sea weight bags with each submersible stair
- 1 x 15psi Digital Pressure Gauge
- 4 x 15m plus 2 x 10m dacron ropes for lashing
- 2 x Bravo pumps with two extra pump fittings
- 2 x Venturi Guns for air compressor inflation
- 2 x Spare Inflation valves
- 1 x inflation Valve Wrench/Spanner
- 1 x Spare PRV
- 1 x PRV Wrench/Spanner
- 1 x Accessory Bag
- 1 x Repair kit bag
- 1 x 4 Strap Lifting Harness with stainless carabiners
- 1 x Lifting bag/Game bag with custom logo
- 1 x Owner's Manual



ROCK WALL

ULTIMATE YACHT WALL CLIMBING

Our rock walls are developed with a climbing path and a degree of difficulty to match any skill level. Each rock wall is designed and engineered to your exact specifications and includes your choice of an array of colors and logo options to match the branding of your yacht.



PRODUCT SPECIFICATIONS

- Made from 29oz firmatex with ultra UV stabilization
- Patented internal design with 4 layer welding
- Lifting anchors rated 1000kg breaking strength
- All D-ring anchors and handles RF welded
- Top platform arm tubes all welded onto structure
- Climb grips laminated with 18oz Firmatex non-slip
- Climbing routes color coded with 4 different color grips indicating easy, medium, difficult, and extreme grades
- Rope ladders included at bottom of wall to assist climber in accessing climbing routes from water
- Knotted dacron ropes attached to top of wall and also on top landing area to assist climber

WHAT'S INCLUDED

- 2 x Extra air stair bladders
- 1 x Digital Pressure Gauge 15psi
- 4 x 15m Dacron ropes plus 8 x 3m Dacron ropes for lashing
- 2 x 2kw Bravo inflation pumps with two extra pump fittings
- 2 x Venturi Inflation Guns
- 2 x Extra Inflation valves
- 1 x inflation Valve Wrench/Spanner
- 1 x Extra 1.8psi pressure relief valve
- 1 x PRV Wrench/Spanner
- 1 x Accessory Bag
- 1 x Repair kit
- 1 x 4 strap Lifting Harness with Carabiners
- 1 x Custom Lifting bag/Storage bag
- 3 x Rope ladders with carabiner connectors
- 2 x long and 2 x short braided dacron ropes
- 1 x Owner's manual



5 YEAR WARRANTY - INDUSTRY FIRST

With the advancement of our bespoke technology, and nearly two decades of research and development both in house and in the field, we are proud to offer the first five year warranty in the industry for all of our SEA products.



TRAMPOLINE

STANDARD AND CUSTOM SIZES

Our versatile floating trampolines come in standard and custom sizes and includes your choice of logo and color options to match the branding of your yacht.



PRODUCT SPECIFICATIONS

- Made from 29oz firmatex with ultra UV stabilization
- All seams are heat welded
- All D-ring anchors and handles RF welded
- Trampoline mesh connected to body with dacron webbing loops and 12mm bungee

WHAT'S INCLUDED

- 1 x 15psi Digital Pressure Gauge
- 1 x Venturi Gun for air compressor inflation
- 2 x Spare Inflation valves
- 1 x inflation Valve Wrench/Spanner
- 1 x Repair kit bag
- 1 x Game bag with custom logo
- 2 x HB199 Pumps with 2 fittings
- 1 x Owner's manual

5 YEAR WARRANTY - INDUSTRY FIRST

With the advancement of our bespoke technology, and nearly two decades of research and development both in house and in the field, we are proud to offer the first five year warranty in the industry for all of our SEA products.



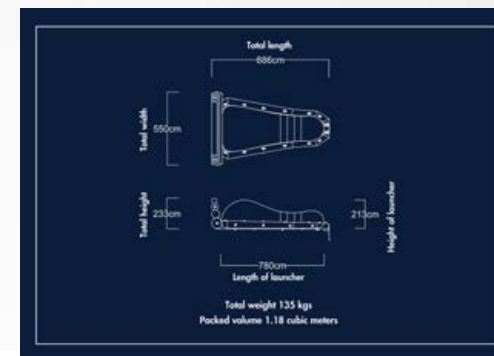
LAUNCHER

TAKING YOU TO NEW HEIGHTS

The launcher is the perfect addition to your collection of toys. Using innovative technology and incorporating the first ever stabilizing system of its kind, these air cushions are set to launch you and your guests to new heights. All launchers are available in an array of colors and logo options to match the branding of your yacht.



LAUNCHER WEIGHTS AND DIMENSIONS



WHAT'S INCLUDED

- 1 x Digital Pressure Gauge 15psi
- 4 x 15m Dacron ropes plus 2x 3m Dacron ropes for lashing
- 2 x 2kw Bravo inflation pumps with two extra pump fittings
- 2 x Venturi Inflation Guns for air compressor inflation
- 2 x Extra Inflation valves
- 1 x inflation Valve Wrench/Spanner
- 1 x Extra 1.8psi pressure relief valve
- 1 x PRV Wrench/Spanner
- 1 x Accessory Bag
- 1 x Repair kit
- 1 x Custom Lifting bag/Storage bag
- 1 x Rope ladder
- 1 x Owner's manual

PRODUCT SPECIFICATIONS

- Launcher frame and crash mat constructed out of 29oz Firmatex with ultra UV stabilization
- Main launcher constructed out of 15oz Firmatex
- All D-ring anchors and handles are RF welded on
- Soft anchor connections between launcher and frame
- Crash mat and Launcher unit detachable for easy storage
- Rope ladder attachment for easy access from water onto launcher

5 YEAR WARRANTY - INDUSTRY FIRST

With the advancement of our bespoke technology, and nearly two decades of research and development both in house and in the field, we are proud to offer the first five year warranty in the industry for all of our SEA products.



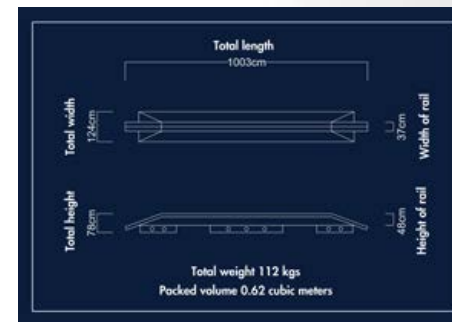
RAIL & FLIER

EXPAND YOUR TOY COLLECTION

Expand your toy collection with the world's first inflatable wakeboard rail and flier. High quality construction and superb design make our rail and flier a favorite amongst wakeboard and water ski enthusiasts. All rails and fliers are available in an array of colors and logo options to match the branding of your yacht.



RAIL WEIGHTS AND DIMENSIONS



PRODUCT SPECIFICATIONS

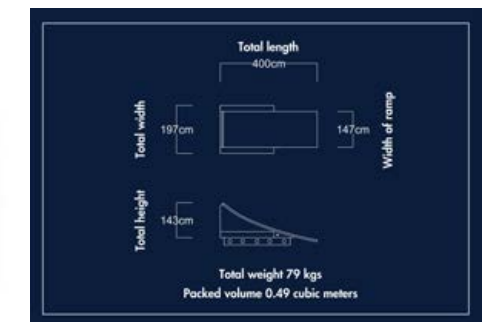
- Base structures made out of 29oz firmatex with ultra UV stabilization
- Patented internal design with 4 layer welding
- Top layers of Rail & Flier constructed out of Firmatex drop-stitch with pressure rating up to 20psi (8-13psi operational)
- Lifting & attachment anchors rated 1000kg breaking strength
- All D-ring anchors and handles RF welded
- Ballast water bags on underside of units for stabilization

WHAT'S INCLUDED

- 2 x Seaweight bags
- 1 x Digital Pressure Gauge 15psi
- 4 x 15m Dacron ropes plus 2x 3m Dacron ropes for lashing
- 2 x 2kw Bravo inflation pumps with two extra pump fittings
- 2 x Venturi Inflation Guns for air compressor inflation
- 2 x Extra Inflation valves
- 1 x inflation Valve Wrench/Spanner
- 1 x Extra 1.8psi pressure relief valve
- 1 x Extra 13psi pressure relief valve
- 1 x PRV Wrench/Spanner
- 1 x Accessory Bag
- 1 x Repair kit
- 1 x Custom Lifting bag/Storage bag
- 1 x Owner's manual



FLIER WEIGHTS AND DIMENSIONS



5 YEAR WARRANTY - INDUSTRY FIRST

With the advancement of our bespoke technology, and nearly two decades of research and development both in house and in the field, we are proud to offer the first five year warranty in the industry for all of our SEA products.



FENDERS

STANDARD AND CUSTOM SIZES

Our many years of experience dealing with different types of materials and construction methods are showcased in our custom Freestyle Fender range. Choosing one of our Freestyle inflatable fenders will save on much needed storage space while never sacrificing on strength and durability. You have 4 material options to choose from and we offer any size fender be it in a traditional tubular shape or a custom rectangular fender for your swim platform or garage door opening. From our standard 29oz PVC welded fender with RF welded Dacron anchors to our military spec Orcathane TPU fender, we can customize any size and spec fender you need. We even have our new Hypatex K12 CSM (Hypalon) fender with Kevlar base fabric that boasts the toughest inflatable fender in the industry!



PRODUCT SPECIFICATIONS

- Base structures made out of 29oz firmatex with ultra UV stabilization
- Patented internal design with 4 layer welding
- Top layers of Rail & Flier constructed out of Firmatex drop-stitch with pressure rating up to 20psi (8-13psi operational)
- Lifting & attachment anchors rated 1000kg breaking strength
- All D-ring anchors and handles RF welded
- Ballast water bags on underside of units for stabilization



WHAT'S INCLUDED

- 1 x Digital Pressure Gauge 15psi
- 2 x Extra Inflation valves
- 1 x inflation Valve Wrench/Spanner
- 1 x Accessory Bag
- 1 x Repair kit

5 YEAR WARRANTY - INDUSTRY FIRST

With the advancement of our bespoke technology, and nearly two decades of research and development both in house and in the field, we are proud to offer the first five year warranty in the industry for all of our SEA products.



OEM SOLUTIONS

YOUR BRAND IS OUR BRAND

Known worldwide for our bespoke inflatable technology, we are the go to Original Equipment Manufacturer for other industry leading Companies. At the core of our brand lies the drive and inspiration to help you and your team design and manufacture your brand of products. Together with companies like FlowRider we have created some of the most complex and sophisticated inflatables in the world. The WaveOz is just one such great example which literally allows riders to float on air. This attraction uses sheet wave technology with an entirely inflatable ride surface which incorporates a state of the art electronic inflation system. It's also the highest capacity surfing machine in the world!

If you have a unique product idea that you would like to bring to life, please contact us for a free consultation.



CUSTOMIZE & DESIGN

MANUFACTURING BESPOKE INFLATABLE PRODUCTS IS THE HEART AND SOUL OF WHAT WE DO AT FREESTYLE SLIDES.

Our vision for cutting edge entertainment has led us to develop some of the most unique inflatable products in the world. All of our products are designed, engineered and built to your exact specifications. Using only the finest materials, craftsmanship and state of the art welding technology, our designs exceed standards worldwide. An array of custom color and logo options are available when ordering our products. We look forward to taking you through a step by step process of imagination, creation and inflation. If you have a unique product idea that you would like to bring to life, please contact us for a free consultation.

FREESTYLE
SLIDES



IMAGINE. CREATE. INFLATE.





WHEN CHOOSING BETWEEN CUSTOM- BUILT AND MASS PRODUCED INFLATABLES, DISCERNING BUYERS PREFER PERSONALIZATION

Since 2002 an unwavering dedication to product innovation has helped FreeStyle Slides dominate the custom inflatable market. Today our company offers the most comprehensive line of bespoke inflatable products in the industry. "We are the only truly bespoke supplier of inflatable products in the world." FreeStyle clients can choose from an array of custom color and logo options for their products, but what makes FreeStyle unique is the custom design work that goes into our products beyond colors and logos. Our FreeStyle Slides team works closely with each client, ensuring their inflatable fits their location or yacht like a glove. A FreeStyle product that is built-to-order is carefully designed to work with the exact specifications to suit your location. "Our clients like that we design their products to aesthetically coordinate with their surroundings, and what sets us apart from any other inflatable manufacturer in the world is our willingness to do just that and more."

BESPOKE BY DESIGN

Beyond manufacturing inflatables for a perfect fit, FreeStyle can also turn the concept in your imagination into a reality. Our company's philosophy has always been to create novel products and search for ideas that have never been done before. "If you can dream it, we can build it. We love working with creative clients who want to construct their own personalized brand of products!" The possibilities are endless for visionary clients that want one-of-a-kind designs.

CONSTANT INNOVATION

In addition to creating new products, FreeStyle Slides continually strives to maximize the fun and safety of our inflatables while minimizing the workload involved by innovating our existing designs. "We want everyone to enjoy our products, not just the patrons but the employees who have to operate them." The key is to help our clients ease the biggest pain points of owning and operating an inflatable: set up, takedown, weight and storage. FreeStyle Slides has the most comprehensive line of bespoke inflatables in the industry which includes an array of Land and Sea based products.

THE WORLD'S FIRST SEALED-AIR INFLATABLE WATERSLIDE FOR YACHTS



FREESTYLE
CRUISERTM

www.FreestyleSlides.com

1.866.694.4776 / 727.563.2003 / info@freestyleslides.com

2399 26th Ave. N., St. Petersburg, FL 33713