



The Birthplace of excellent Amusement Rides





Huss Park Attractions

Huss Park Attractions GmbH, based in Bremen, Germany, is an internationally renowned company in the design, development, manufacture and sale of amusement rides for theme and amusement parks.

The company has extensive experience in the fields of engineering, project management, installation, supervision and after sales services for amusement rides. Our expert team is highly skilled in these and all other relevant disciplines enabling us to ensure the quality, safety, robustness and longevity of each HUSS® ride.

HUSS® is well known as a long-established German brand with an excellent reputation for high quality, reliability, outstanding performance and successful attractions that provide fun and excitement for park visitors of all ages.

The company's amusement rides can be found throughout the world and a number of these have been in use for more than 30 years. They continue to provide exceptional value to their owners and are evidence of the high build quality of HUSS® rides.

We invite you to learn more about the full range of HUSS® attractions.

HUSS® Rides

Classic Rides

Incorporating innovative themes and ride patterns, new twists, speed and ever-increasing action to ensure exciting ride sensations for your guests.

Family Rides

Featuring more gentle thrills combined with a sense of adventure to provide fun for the whole family with exceptional comfort, safety and reliability.

Giant Rides

Just what the name implies! A range of rides of extraordinary size and power with the guarantee of an unforgettable ride experience and huge visual impact.

Film Based Rides

With a combination of an individual movie, audio-visual effects and sensory perceptions the HUSS® film based systems/attractions place guests in a totally immersive environment for a very special experience.

All measurements indicated herein are approximate and not binding.



CLASSIC RIDES

Incorporating innovative themes and ride patterns, new twists, speed and ever-increasing action to ensure exciting ride sensations for your guests.



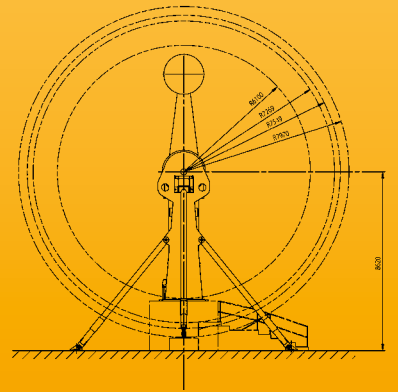
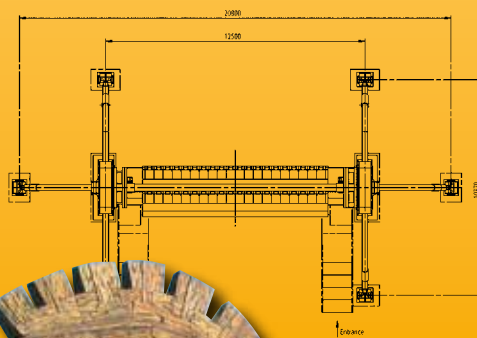
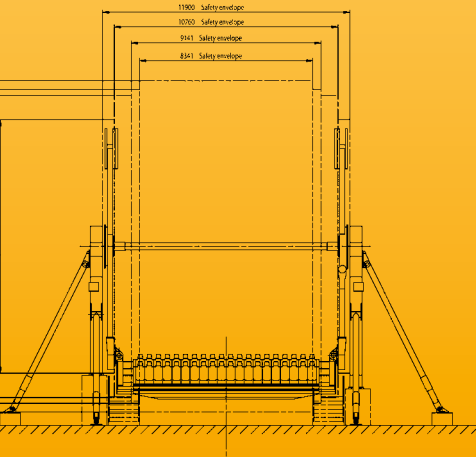
TOP SPIN® CLASSIC

THE ORIGINAL

Ride category: Classic
Thrill factor: Extremely High
Action: Pendulum swing,
 circular rotation,
 multiple spins,
 sudden turns

RIDE SPECIFICATIONS:

Base:	22 m x 11.5 m (72 ft x 38 ft)
Height:	16.5 m (54 ft)
Total number of passengers:	40
Theoretical hourly capacity:	1200
Power installed:	220 kW





SKY TOWER

FOR SPECTACULAR 360° VIEWS

Ride category: Classic/Family

Thrill factor: Low

Action: Gentle ascending/descending,
rotating gondola

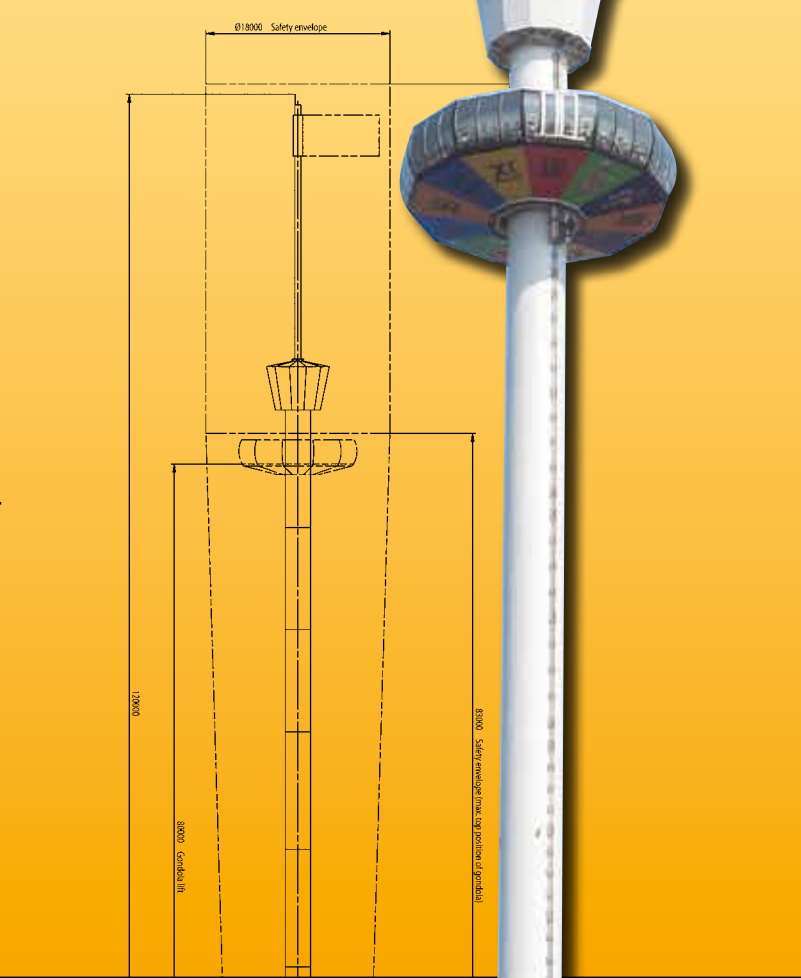
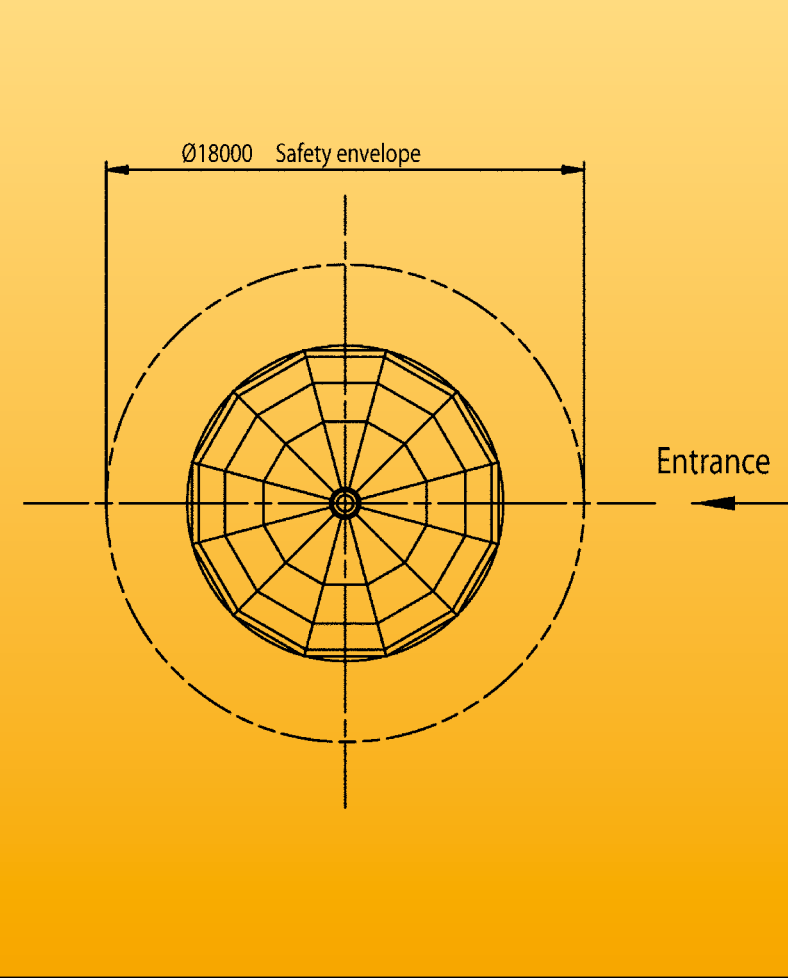
Exit



RIDE SPECIFICATIONS:

Base:	15 m (49 ft) diameter
Height:	Various up to 120 m (394 ft)
Total number of passengers:	70
Theoretical hourly capacity:	1400
Power installed:	150 kW







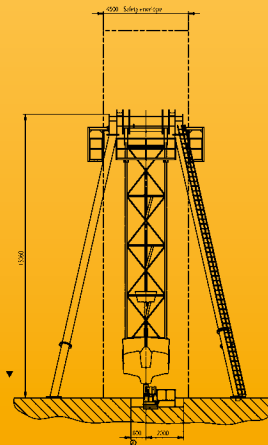
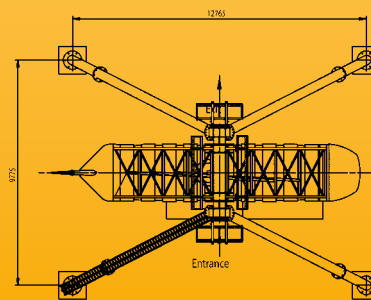
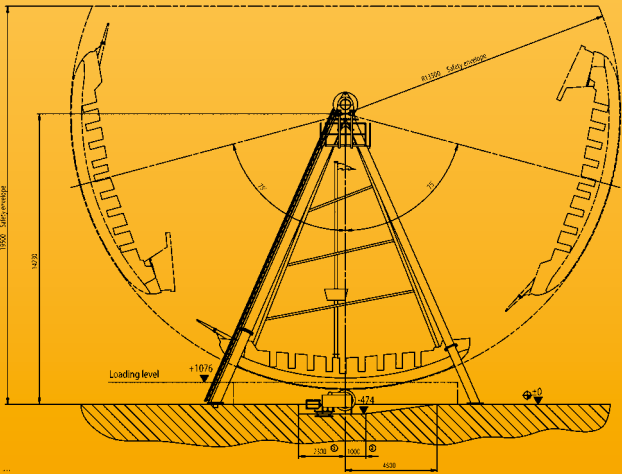
PIRATE SHIP

THE TIMELESS CLASSIC

Ride category: **Classic/ Family**
 Thrill factor: **Medium**
 Action: **Pendulum swing**

RIDE SPECIFICATIONS:

Base:	13 m x 10m (43 ft x 33 ft)
Height (of boat in full swing):	19.5 m (64 ft)
Total number of passengers:	45 or 54
Theoretical hourly capacity:	1125 or 1350
Power installed:	130 kW





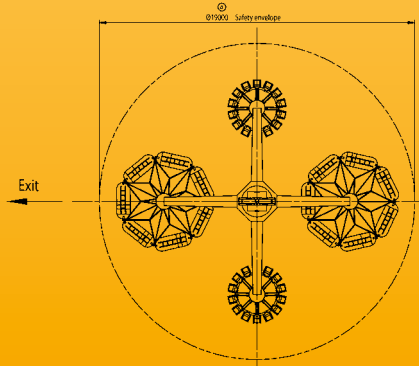
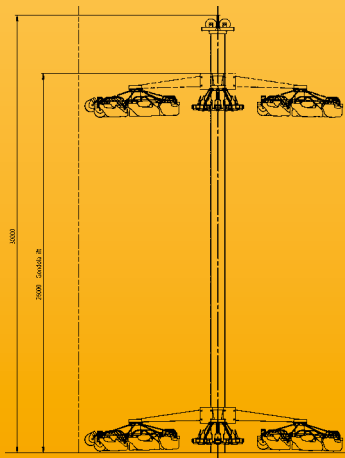
CONDOR 2G / 2GH

SOARING THROUGH THE AIR

Ride category: Classic/Family
Thrill factor: Medium
Action: Ascending/
descending,
circular rotation,
„swing out“
gondolas

RIDE SPECIFICATIONS:

Base:	19 m (62 ft) diameter
Height:	31 m (102 ft)
Number of gondolas:	28 or 14 + 28 suspended seats
Total number of passengers:	56
Theoretical hourly capacity:	1680
Power installed:	200 kW



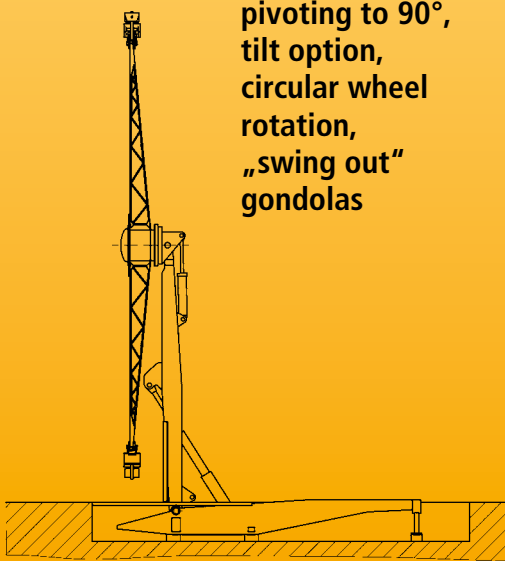


ENTERPRISE 2G / 2GH

A TRUE LEGEND

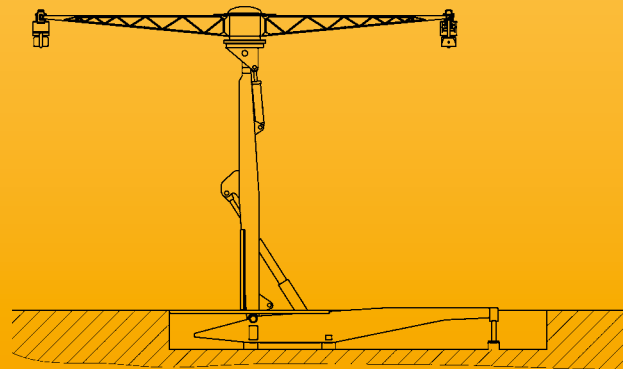
Ride category: **Classic/Family**
Thrill factor: **Low to High**
(depending on the ride program)

Action: **swivel arm pivoting to 90°, tilt option, circular wheel rotation, „swing out“ gondolas**



RIDE SPECIFICATIONS:

Base:	21.7 m x 18.4 m (71 ft x 60 ft)
Height:	18.4 m (60 ft)
Number of gondolas:	20
Total number of passengers:	40
Theoretical hourly capacity:	1200
Power installed:	90 kW





FAMILY RIDES

Featuring more gentle thrills combined with a sense of adventure to provide fun for the whole family with exceptional comfort, safety and reliability.

Exit



Er



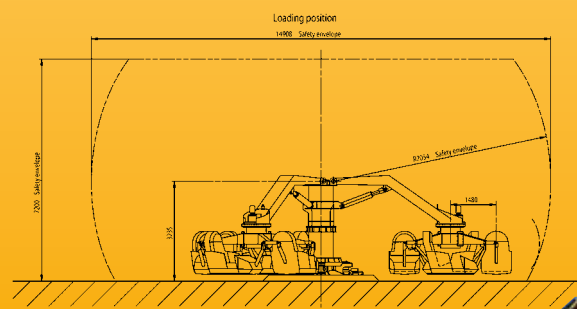
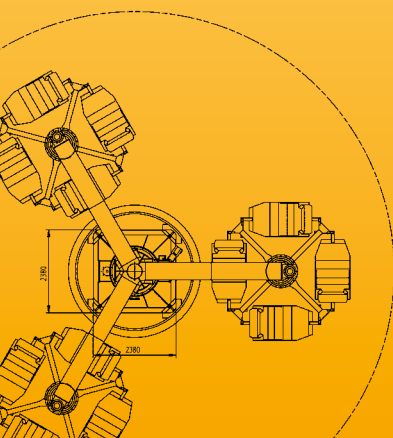
AIRBOAT

FUN FOR ALL

Ride category: Family
Thrill factor: Medium
Action: Circular rotation, cantilever arms, hydraulic lifting, „swing out“ gondolas

RIDE SPECIFICATIONS:

Base:	14 m (46 ft) diameter
Height:	7.2 m (24 ft)
Number of gondolas:	12
Total number of passengers:	24
Theoretical hourly capacity:	720
Power installed:	70 kW





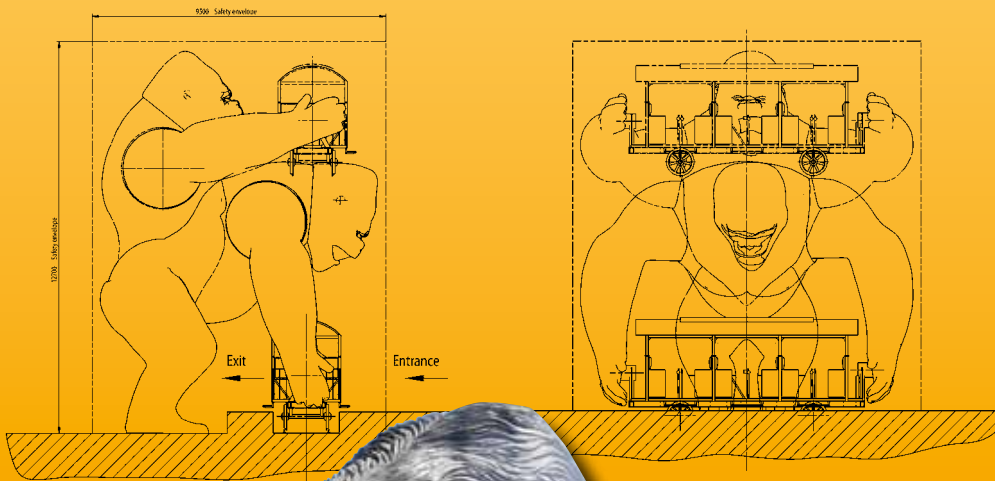
KING KONG

FACE TO FACE WITH AN ANGRY GORILLA!

Ride category: Family
 Thrill factor: Low
 Action: Lifting, shaking, gentle swinging, special effects

RIDE SPECIFICATIONS:

Base:	11.3 m x 9.5 m (37 ft x 31 ft)
Height:	12.7 m (42 ft)
Total number of passengers:	24
Theoretical hourly capacity:	720
Power installed:	140 kW





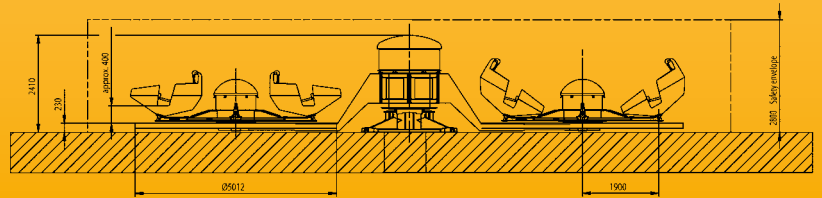
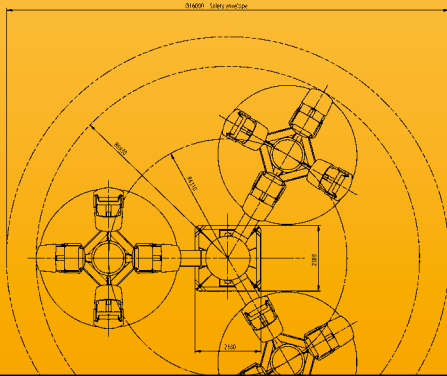
BREAK DANCE

CALM OR WILD FUN FOR ALL

Ride category: Family
Thrill factor: Low to High
 (depending on the ride program)
Action: Rotation, counter rotation, intermittent accelerations, sudden swings

RIDE SPECIFICATIONS:

Base:	16 m (52 ft) diameter
Height:	2.8 m (9 ft)
Number of gondolas:	12
Total number of passengers:	24
Theoretical hourly capacity:	720
Power installed:	75 kW



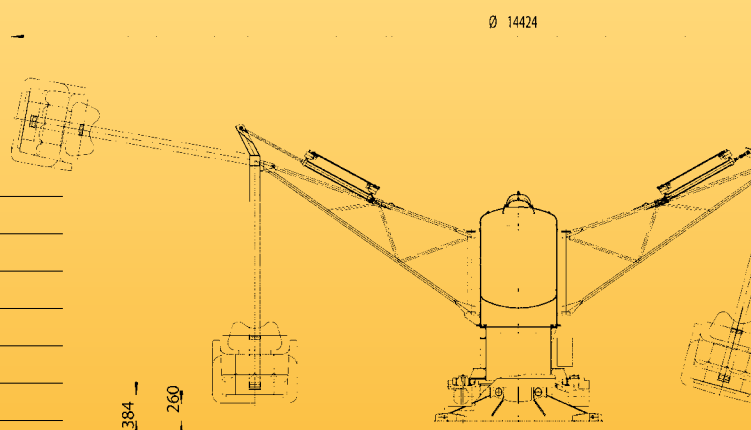


BEE BEE ADDING EXTRA „BUZZ“ TO YOUR PARK

Ride category: Family
 Thrill factor: Low
 Action: Circular rotation,
 „swing out“ gondolas

RIDE SPECIFICATIONS:

Base:	15.5 m (51 ft) diameter
Height:	6 m (20 ft)
Number of gondolas:	10
Total number of passengers:	20
Theoretical hourly capacity:	600
Power installed:	60 kW

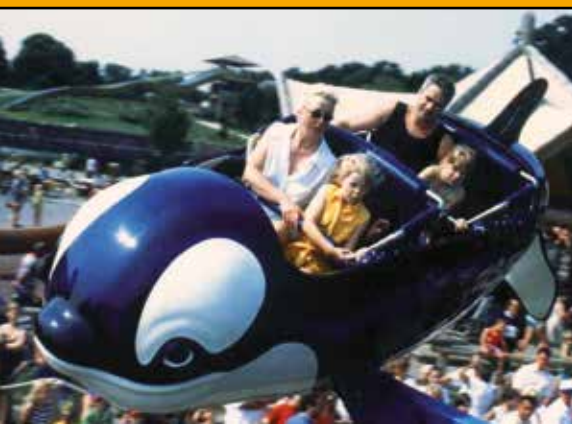
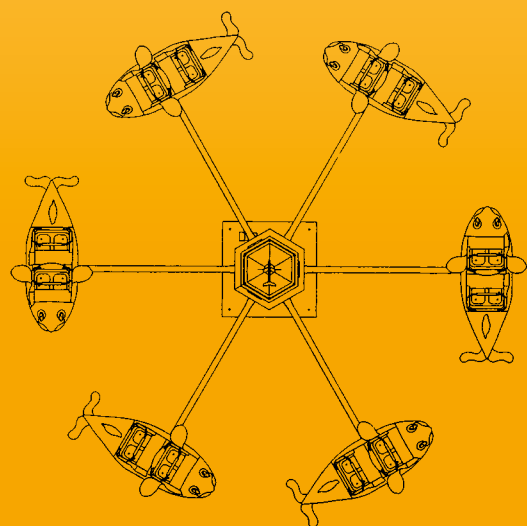


FLY WILLY WAVE-RIDING WITH A WHALE

Ride category: Family
 Thrill factor: Low
 Action: Circular rotation,
 cantilever arms,
 hydraulic lifting

RIDE SPECIFICATIONS:

Base:	16 m (52 ft) diameter
Height:	5.5 m (18 ft)
Number of gondolas:	6
Total number of passengers:	24
Theoretical hourly capacity:	720
Power installed:	75 kW

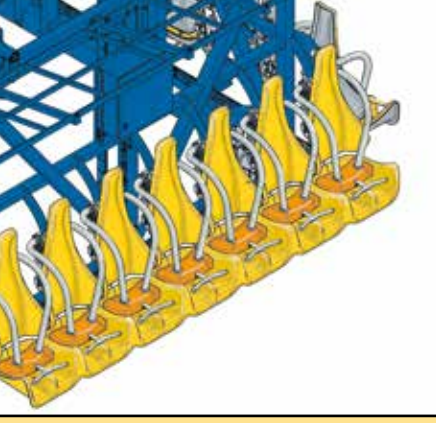




Safety envelope

GIANT RIDES

Just what the name implies! A range of rides of extraordinary size and power with the guarantee of an unforgettable ride experience and huge visual impact.



SHOT'N DROP SHOT'N DROP MAXI

THRILLING IN MORE WAYS THAN ONE

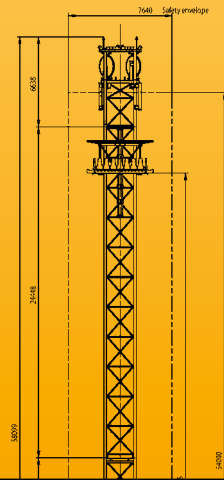
Ride category: Giant
Thrill factor: Extremely High
Action: Accelerated vertical shot & drop, freefall, airtime / weightlessness, bungee bouncing, panorama

RIDE SPECIFICATIONS SHOT'N DROP:

Base:	7 m x 7 m (23 ft x 23 ft)
Height:	43 m (141 ft)
Total number of passengers:	24
Theoretical hourly capacity:	960
Power installed:	250 kW

RIDE SPECIFICATIONS SHOT'N DROP MAXI:

Base:	7.7 m x 7.7 m (25 ft x 25 ft)
Height:	58 m (190 ft)
Total number of passengers:	28
Theoretical hourly capacity:	1500
Power installed:	375 kW





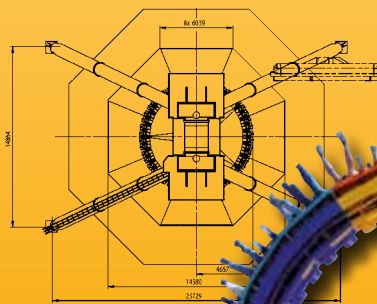
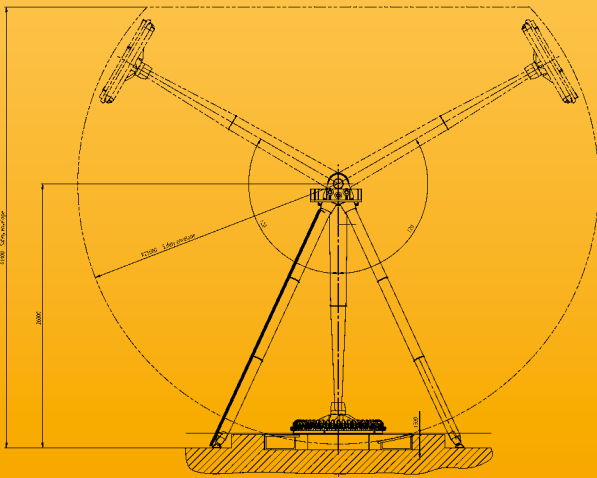
GIANT FRISBEE

BIG IN NAME, BIG IN NATURE

Ride category: **Giant**
 Thrill factor: **Extremely High**
 Action: **Pendulum
 overswing to 120°,
 rotation**

RIDE SPECIFICATIONS:

Base:	24 m x 15 m (79 ft x 49 ft)
Height (at full swing):	43 m (141 ft)
Total number of passengers:	40 or 50
Theoretical hourly capacity:	1000 or 1250
Power installed:	470 kW





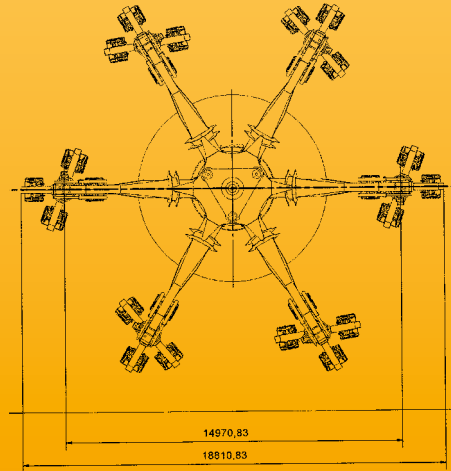
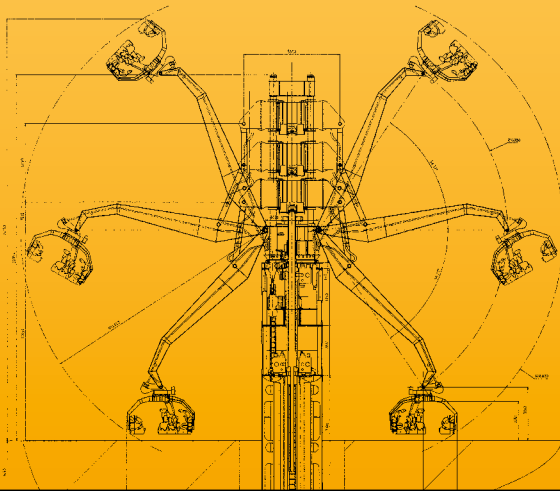
JUMP²

SUPER SIZED JUMPS

Ride category: Giant
Thrill factor: Extremely High
Action: Tower rotation, pivoting arms, accelerated lifting, „swing out“ and rotating gondolas

RIDE SPECIFICATIONS:

Base:	19 m (62 ft) diameter
Height:	25 m (82 ft)
Number of gondolas:	6
Total number of passengers:	48
Theoretical hourly capacity:	1200
Power installed:	1240 kW





FILM BASED RIDES

With a combination of an individual movie, audiovisual effects and sensory perceptions the HUSS® film based systems / attractions place guests in a totally immersive environment for a very special experience.

45000

26908

10500 Screen



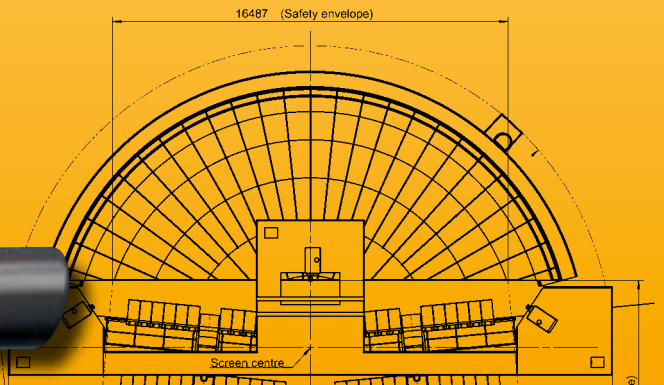
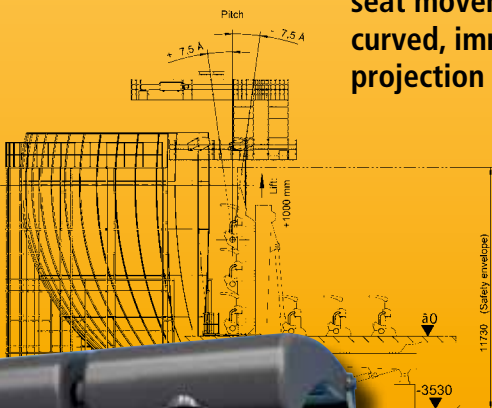
MOVIE BASE XS

A TRULY SENSATIONAL FLIGHT EXPERIENCE

Ride category: Film based
Thrill factor: Totally immersive attraction providing sensory and physical simulation
Action: Flying theatre, hydraulic lifting mast with passenger platforms, seat movements and curved, immersive projection screen

RIDE SPECIFICATIONS:

Base (per 36 person unit):	8.5 m x 12 m x 12 m (28 ft x 39 ft x 39 ft)
Seat heights:	4 – 5 m / 6 – 7 m / 9 – 10 m (13 – 16 ft / 20 – 23 ft / 30 – 33 ft)
Total number of passengers:	36, 72 or 108
Passenger carrying unit:	1, 2 or 3
Theoretical hourly capacity:	540, 1080 or 1620
Power installed:	150 kW per 36 person unit





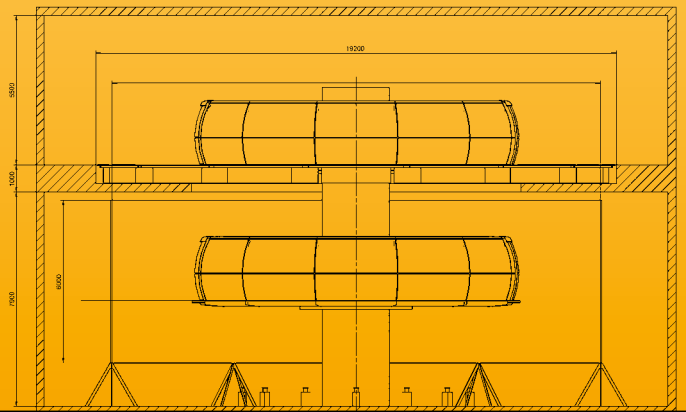
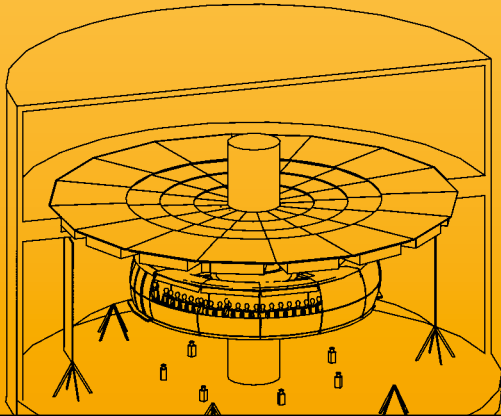
EXPLORER

TOUCHING AND INSPIRING THE SENSES

Ride category: Film based
Thrill Factor: Totally immersive attraction providing sensory and physical simulation
Action: Gentle rotating gondola, audio visual effects, sensory elements, dome screen and immersive 360° film projection

RIDE SPECIFICATIONS:

Base:	12 m (39 ft) diameter
Height:	11 m (36 ft)
Total number of passengers:	70
Theoretical hourly capacity:	1400
Power installed:	250 kW





**Huss Park Attractions GmbH
Worldwide Inquiries**

Ms. Christine Althausen
Mr. Mirko J. Schulze

Huss Park Attractions GmbH

Emil-Sommer-Str. 4-6
28329 Bremen, Germany
Tel +49 421 49900 0
Fax +49 421 49900 70
sales@hussrides.com

**After Sales Service
Huss Parts & Service GmbH**

Emil-Sommer-Str. 4-6
28329 Bremen, Germany
Tel +49 421 49900 30
Fax +49 421 49900 56
service@hussparts.com

**Representative Office
HUSS® China**

Mrs. Hongyu Xie
Shanghai, P.R. China
Mobile +86 13917 680325
hongyu.xie@hussrides.com

**Representative Office
HUSS® India**

Ms. Vibhisha Jain
Mumbai, India
Mobile +919833233239
v.jain@hussrides.com

www.hussrides.com

