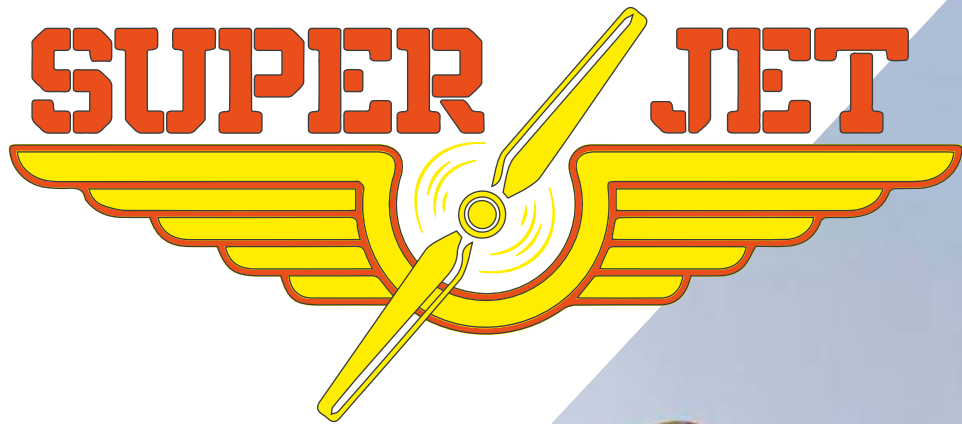


# SUPER JET



**SARTORI**  
AMUSEMENT RIDES

*Rides manufacturers since 1957*

# SUPER JET



Park Model



On trailer

## TECHNICAL SPECIFICATIONS

|                       |  |
|-----------------------|--|
| <b>Base Size:</b>     | ~ Ø 17 m - 55.8 ft                     |
| <b>Height:</b>        | ~ 4 m - 13 ft                          |
| <b>Vehicles:</b>      | 12                                     |
| <b>Seats/Vehicle:</b> | 2 seats/each                           |
| <b>Seats:</b>         | 24 children or 12 children + 12 adults |
| <b>Th. Capacity:</b>  | ~ 960 passengers/h                     |
| <b>Speed:</b>         | ~ 6 rpm                                |
| <b>Lighting:</b>      | ~ 8 kW                                 |
| <b>Moving Power:</b>  | ~ 28 kW                                |

EN-7/23-rev.2.0 – Subject to technical changes as part of product development, as well as errors and omissions.



FAMILY

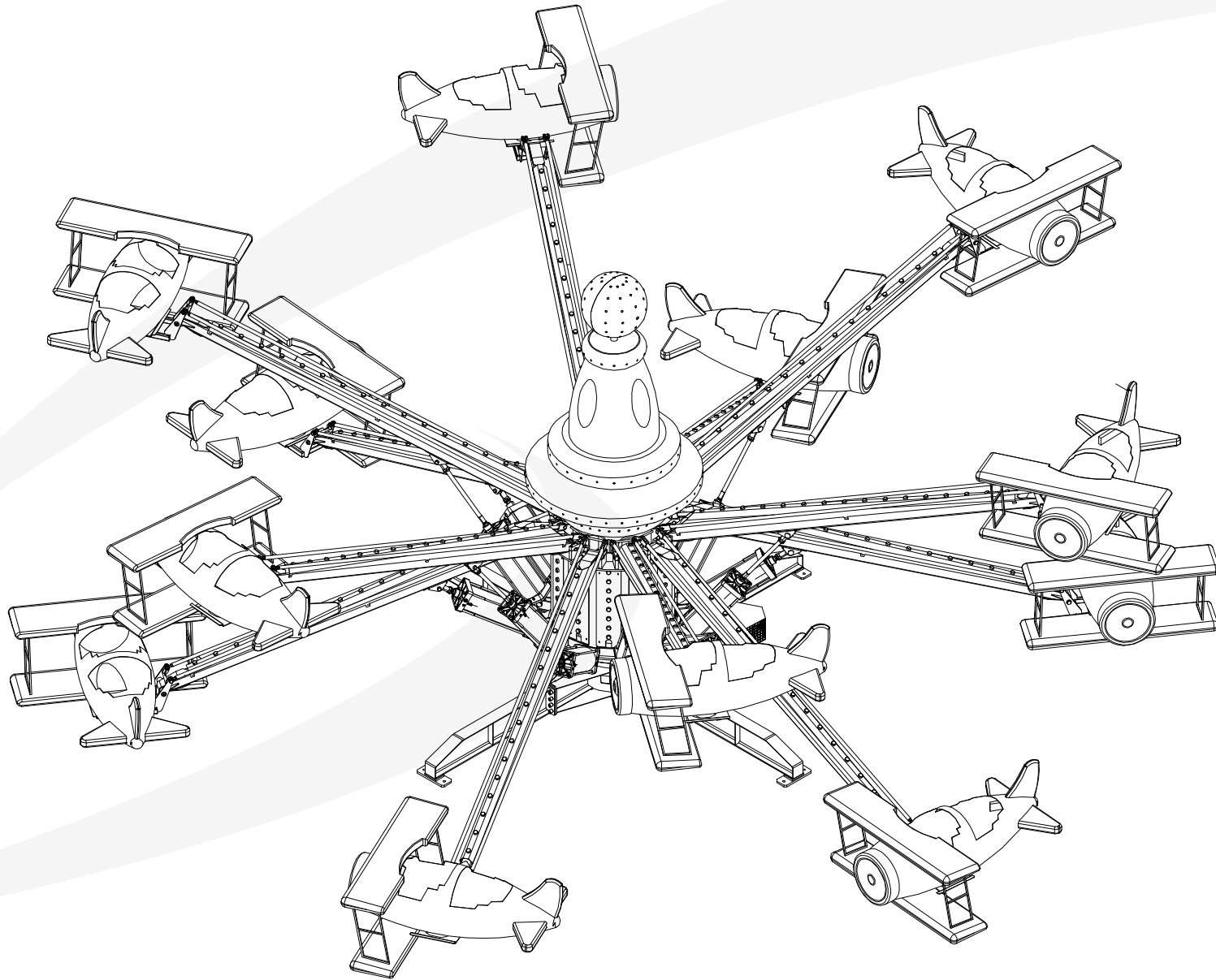


# TECHNICAL SPECIFICATIONS

## Structure



PARK MODEL

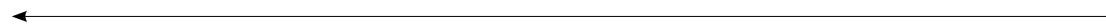
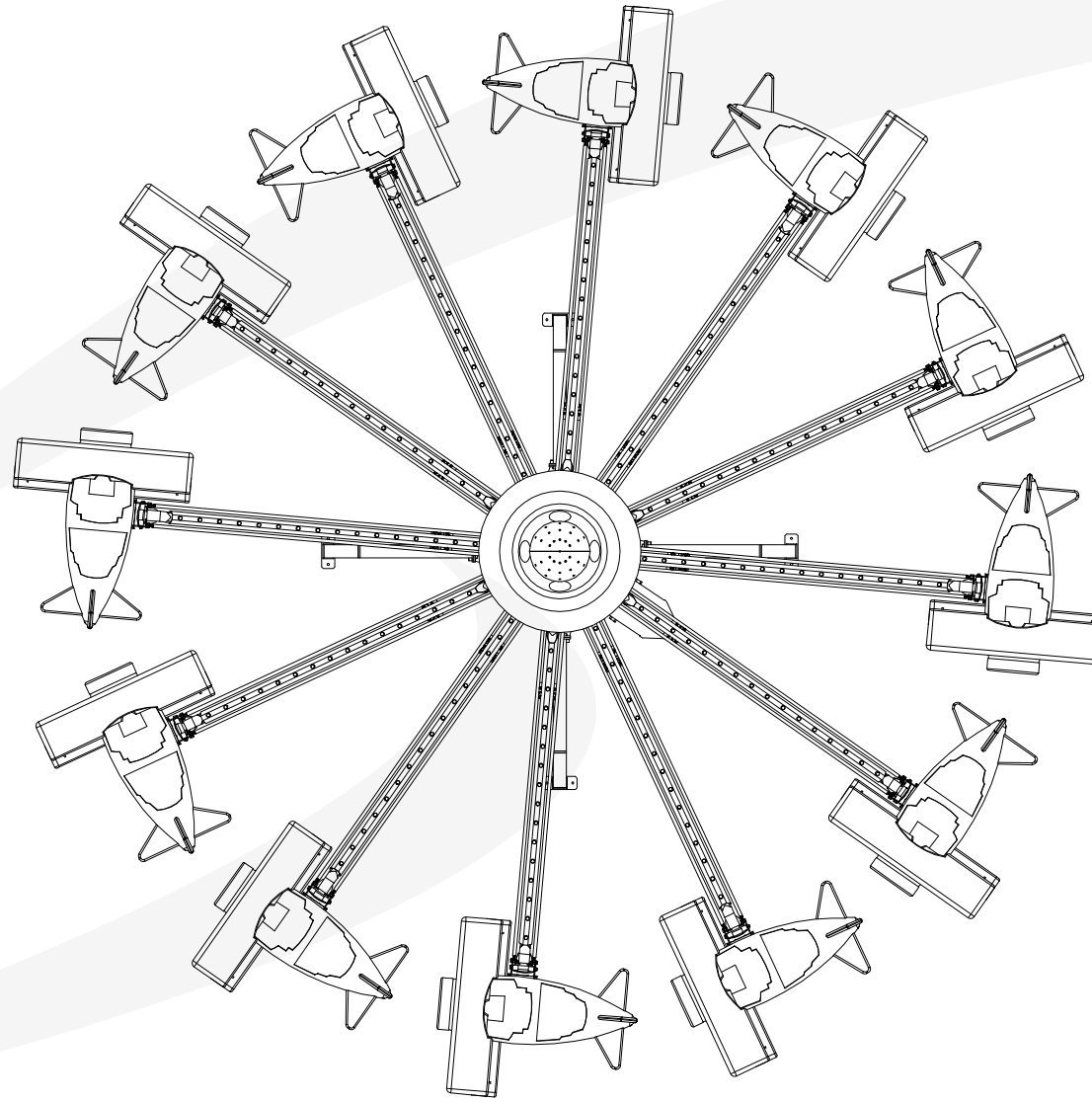


# TECHNICAL SPECIFICATIONS

## Structure



PARK MODEL



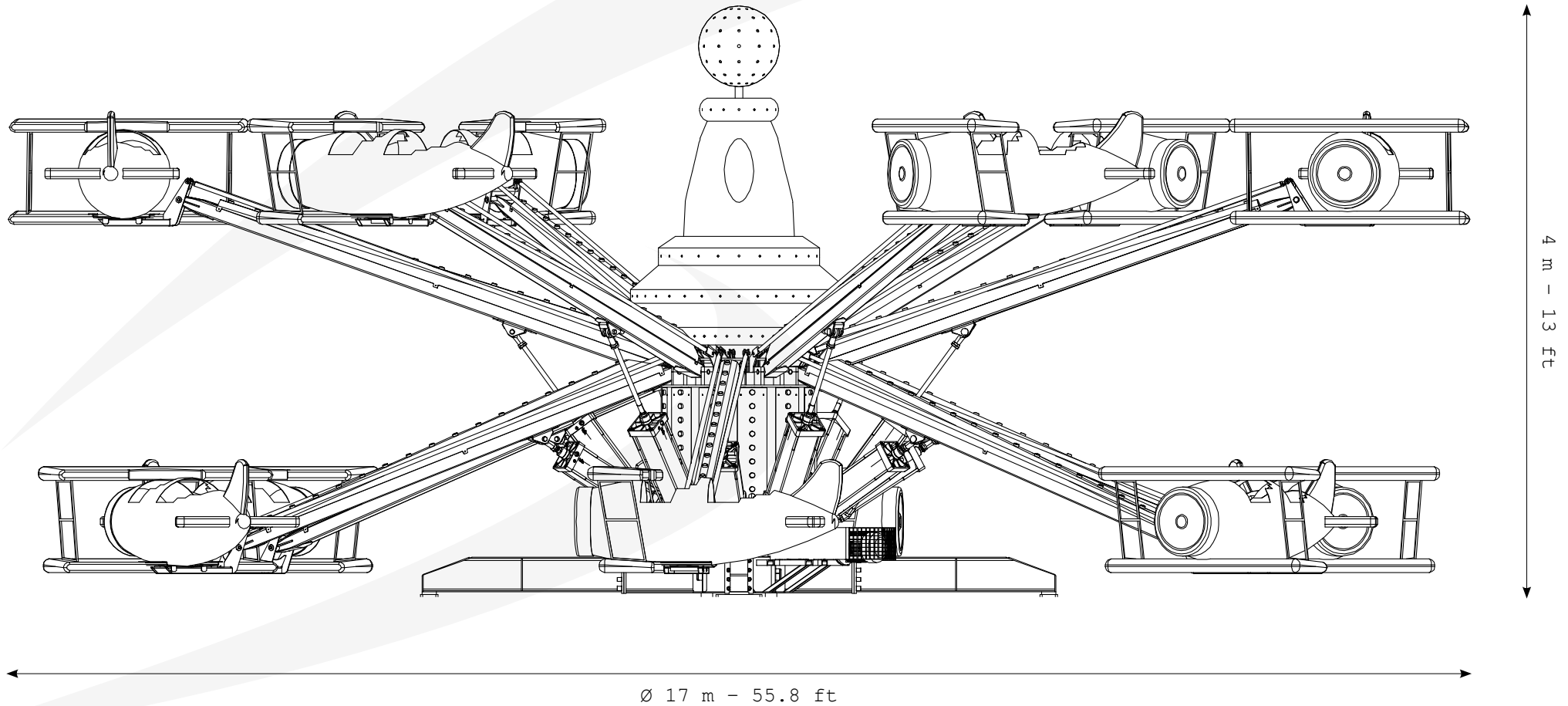
Ø 17 m - 55.8 ft

# TECHNICAL SPECIFICATIONS

## Structure



PARK MODEL



# TECHNICAL SPECIFICATIONS

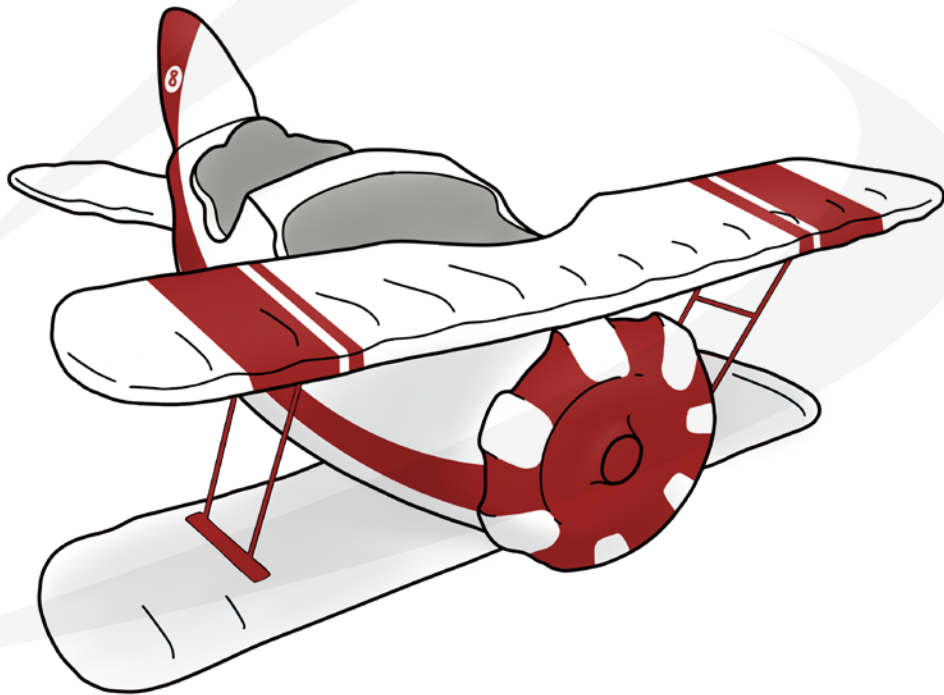
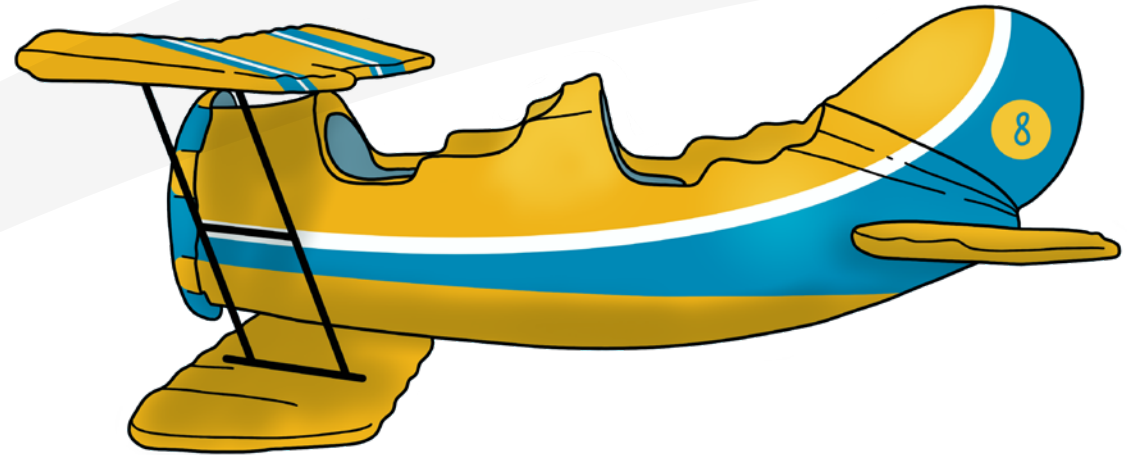
## Structure

## THEMING

Vehicles can be customized both in color and design.



PARK MODEL





PARK MODEL



**SARTORI**  
AMUSEMENT RIDES



PARK MODEL



 **SARTORI**  
AMUSEMENT RIDES





PARK MODEL

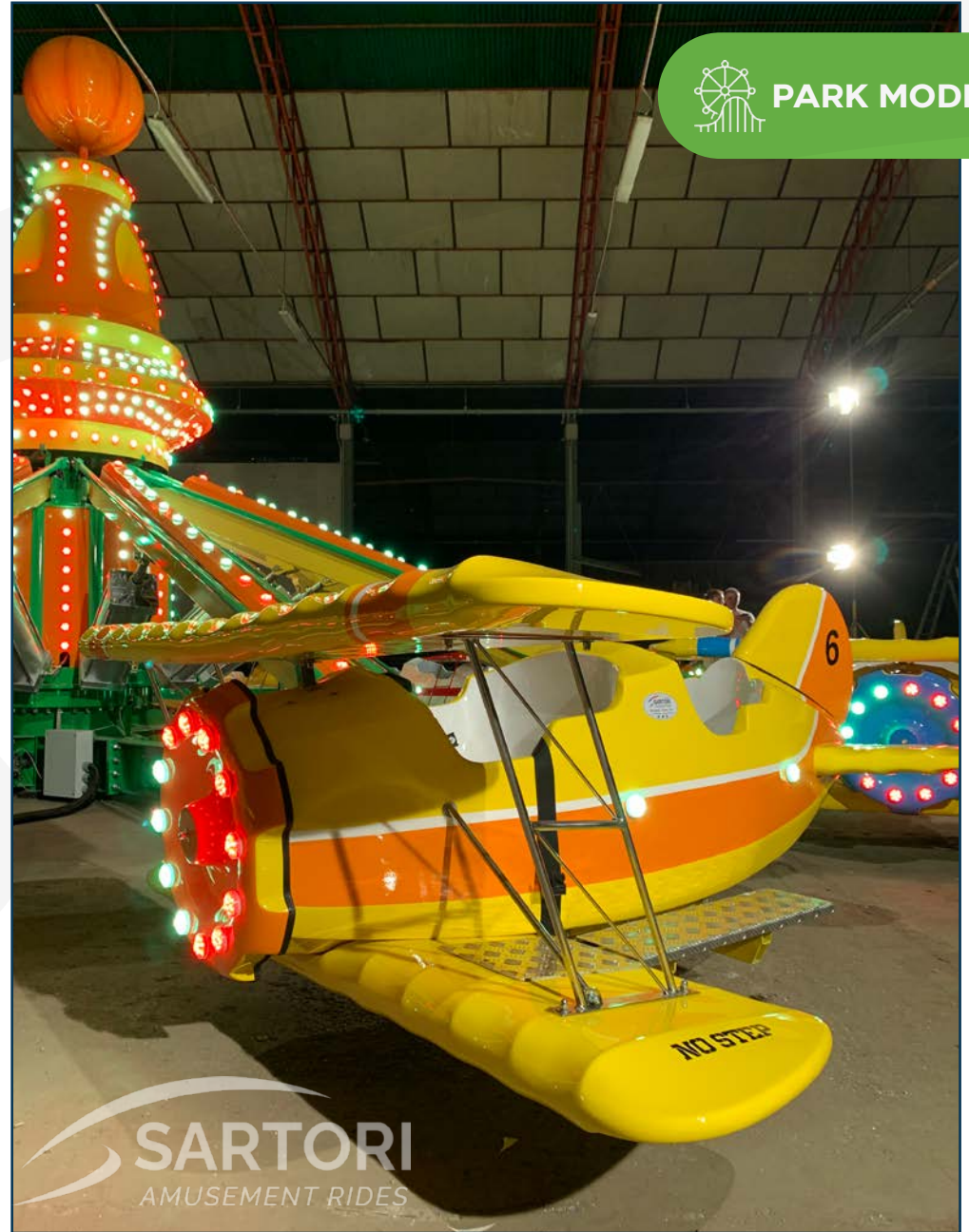


**SARTORI**  
AMUSEMENT RIDES



 **PARK MODEL**







**SARTORI**  
AMUSEMENT RIDES