

AIR FORCE



**SARTORI**
AMUSEMENT RIDES
Rides manufacturers since 1957



Park Model



On trailer

TECHNICAL SPECIFICATIONS

Base Size: ~ 11 x 5.3 m - 26.3 x 17.4 ft

Height: ~ 8 m - 26.3 ft (in operation)

Speed: ~ 10 rpm (adjustable)

Vehicles: 1

Seats/Vehicle: 28 seats/each

Seats capacity: 28 seats

Th. Capacity: ~ 700 passengers/h

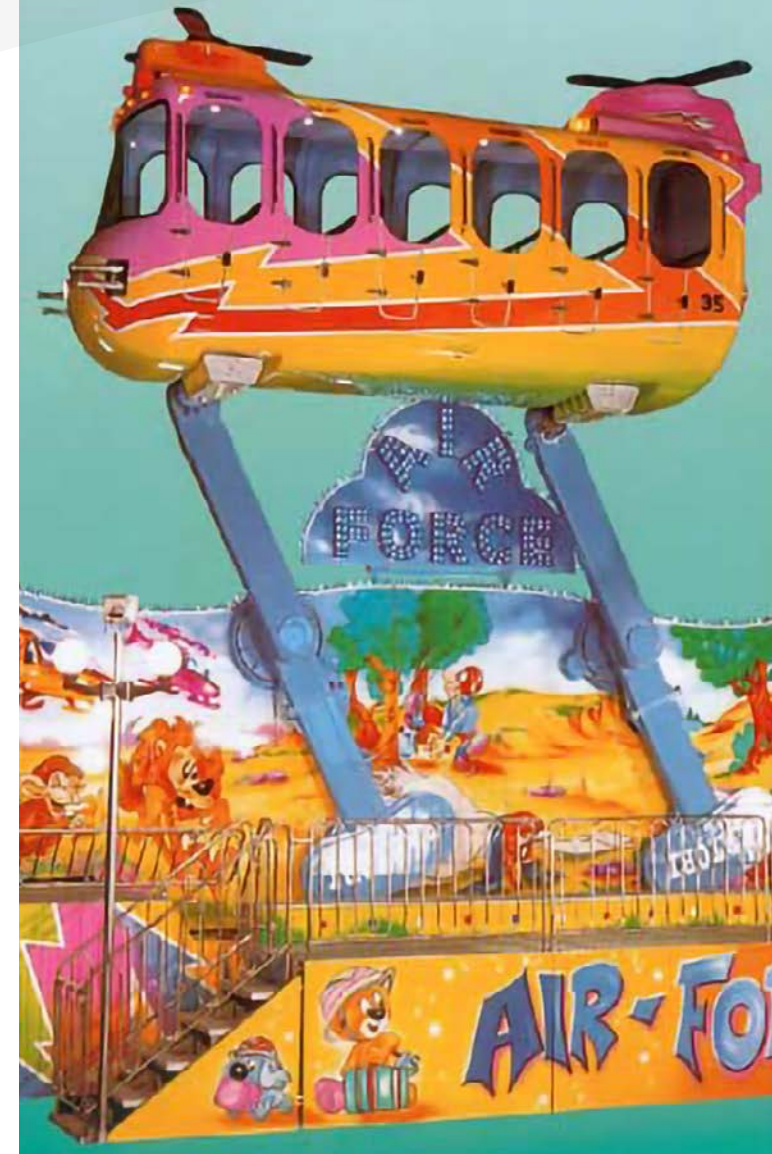
Lighting: ~ 4 kW

Moving Power: ~ 34 kW

EN-7/23-rev.2.0 – Subject to technical changes as part of product development, as well as errors and omissions.



FAMILY

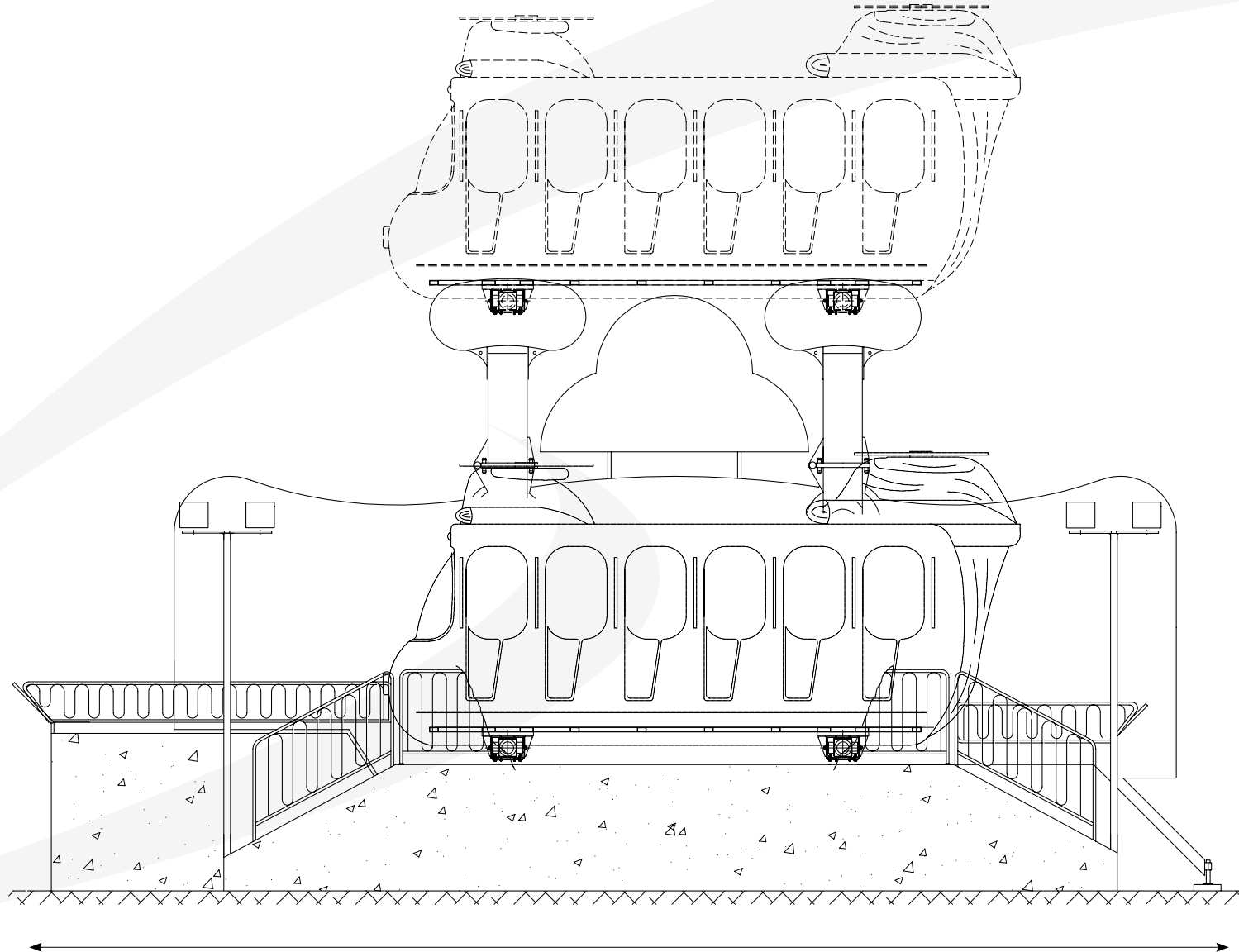


TECHNICAL SPECIFICATIONS

Structure



ON TRAILER



8 m - 26.3 ft

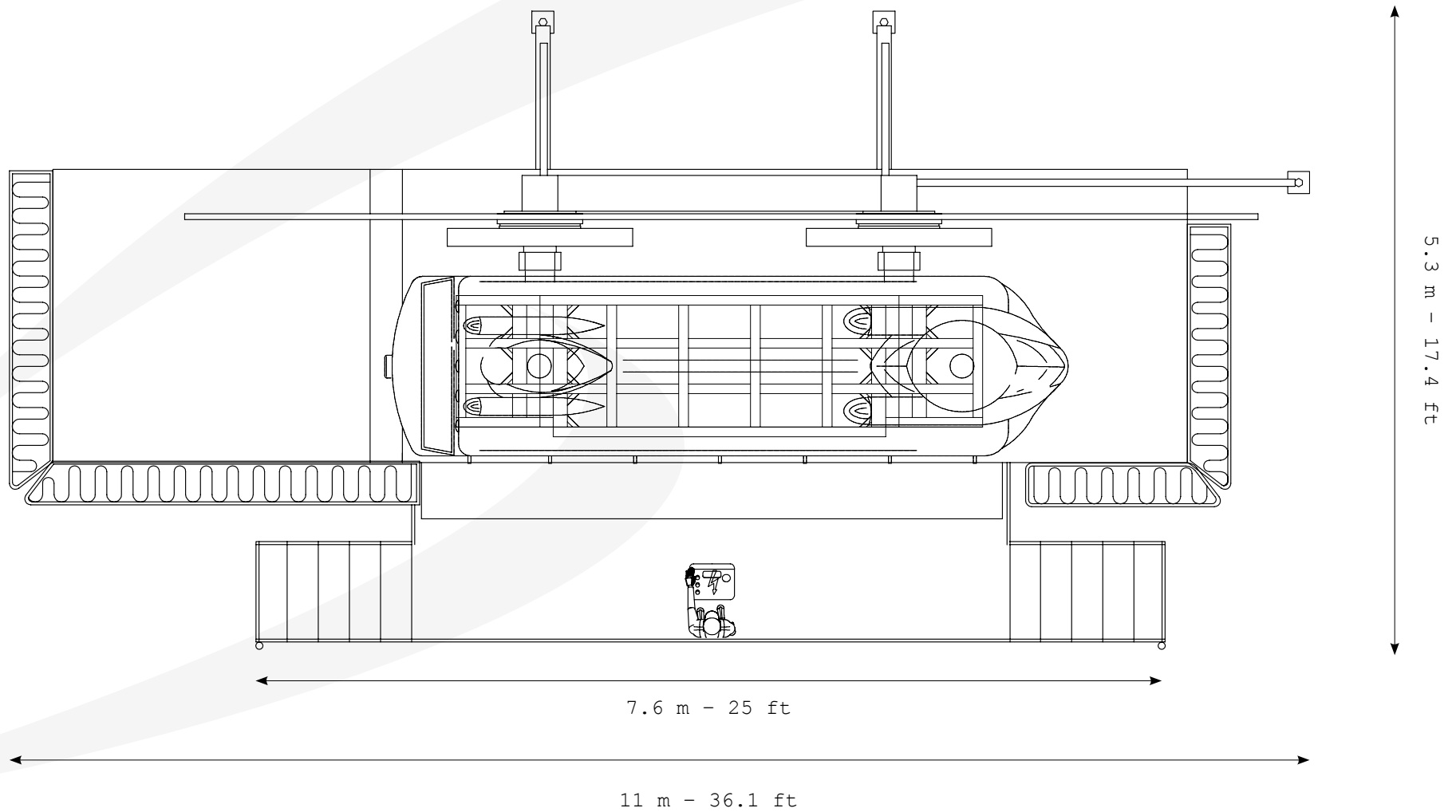
11 m - 36.1 ft

TECHNICAL SPECIFICATIONS

Structure



ON TRAILER

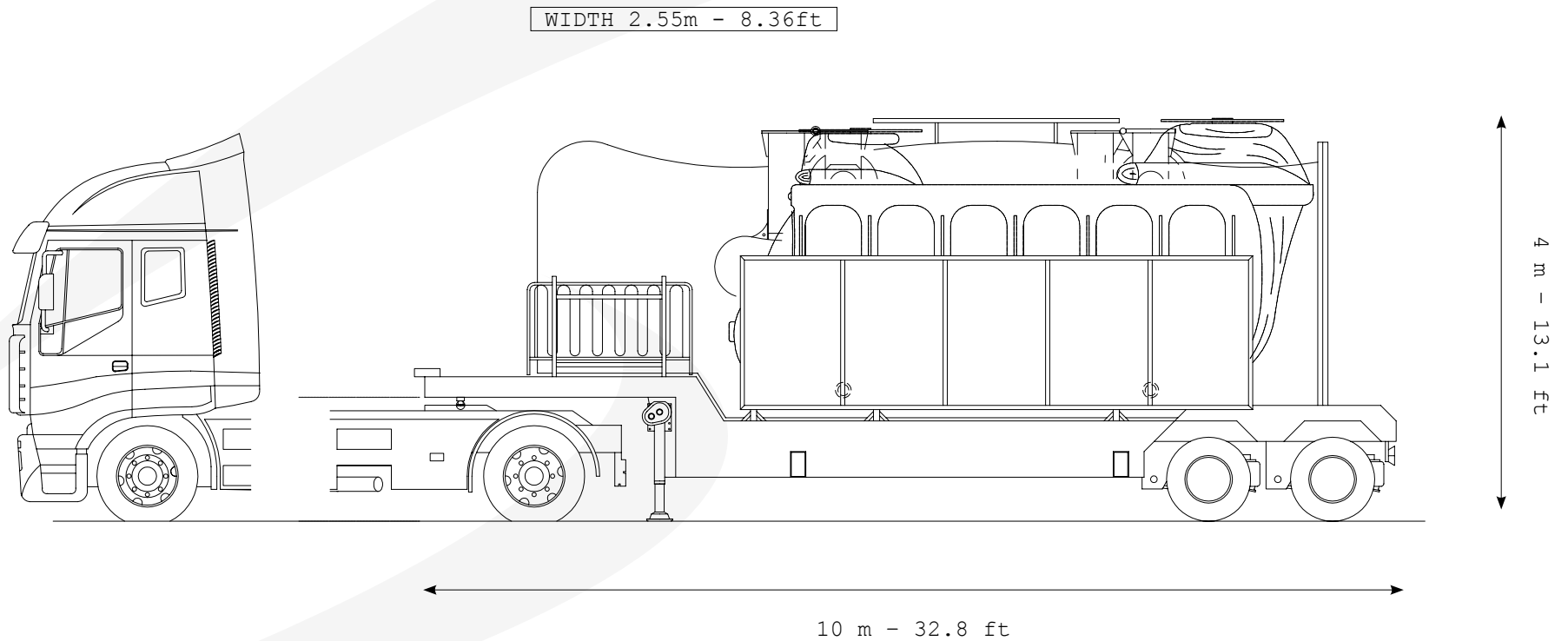


TECHNICAL SPECIFICATIONS

Structure



ON TRAILER

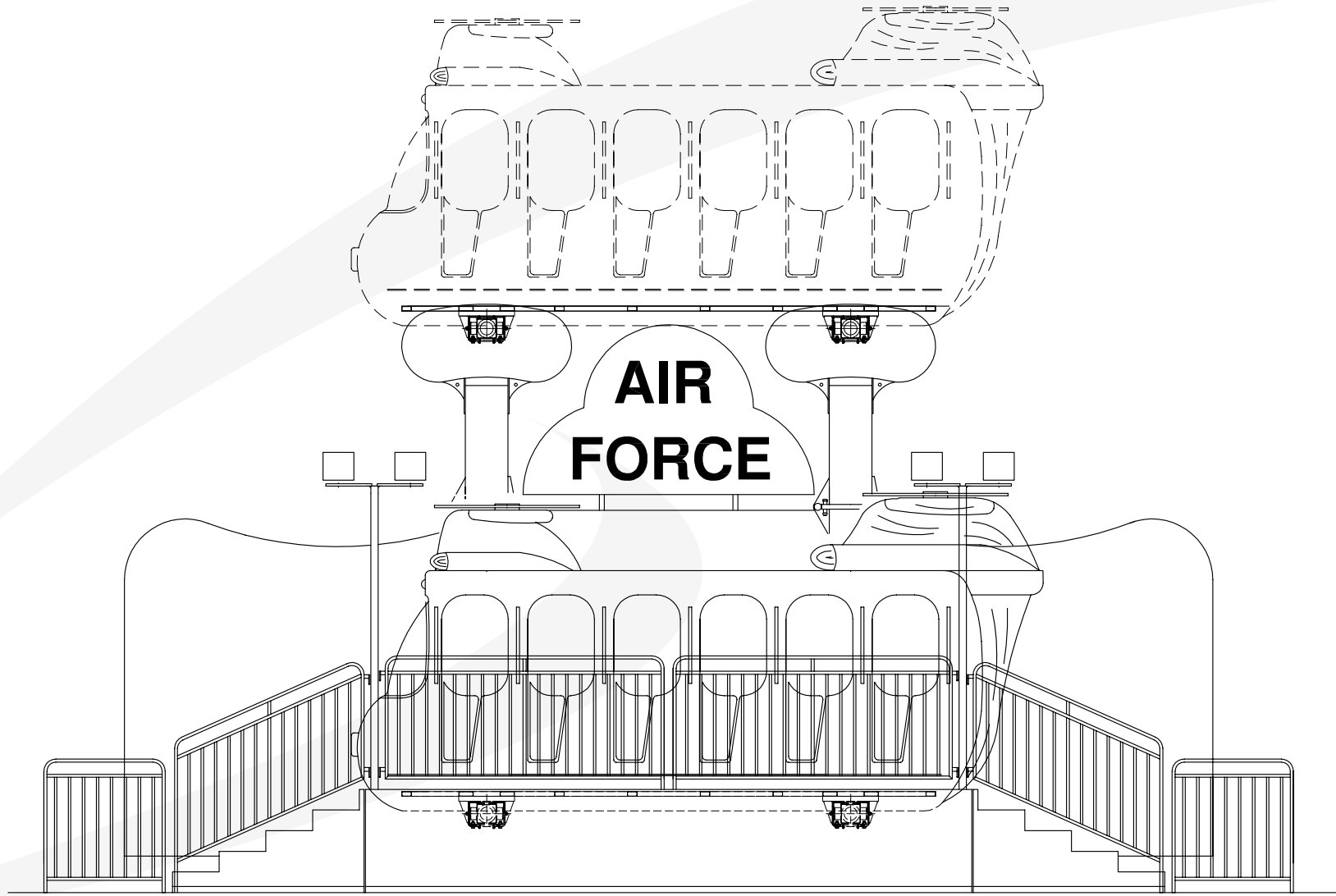


TECHNICAL SPECIFICATIONS

Structure



PARK MODEL



7.5 m - 24.6 ft

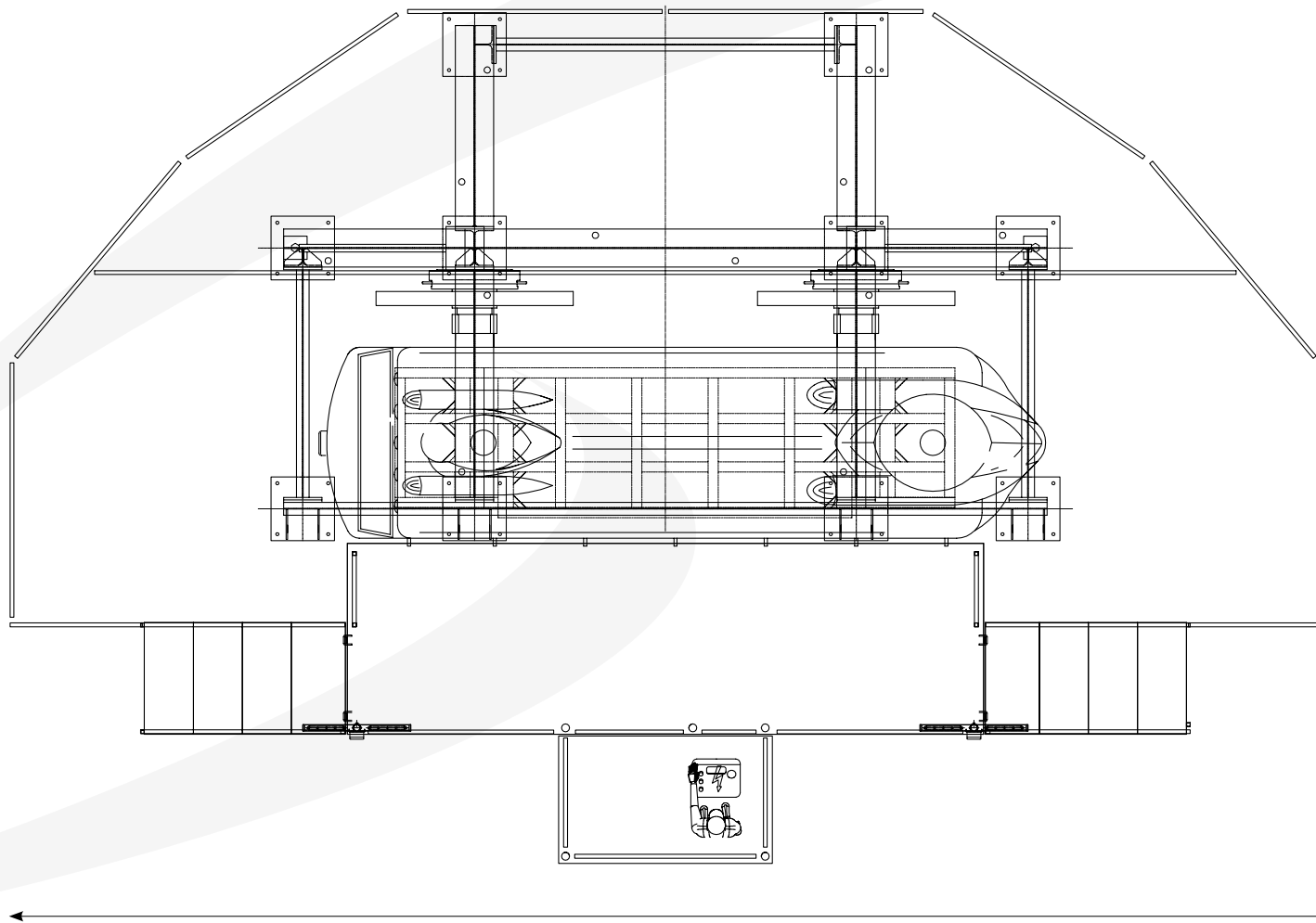
10.3 m - 33.8 ft

TECHNICAL SPECIFICATIONS

Structure



PARK MODEL



10.3 m - 33.8 ft

5.7 m - 18.7 ft

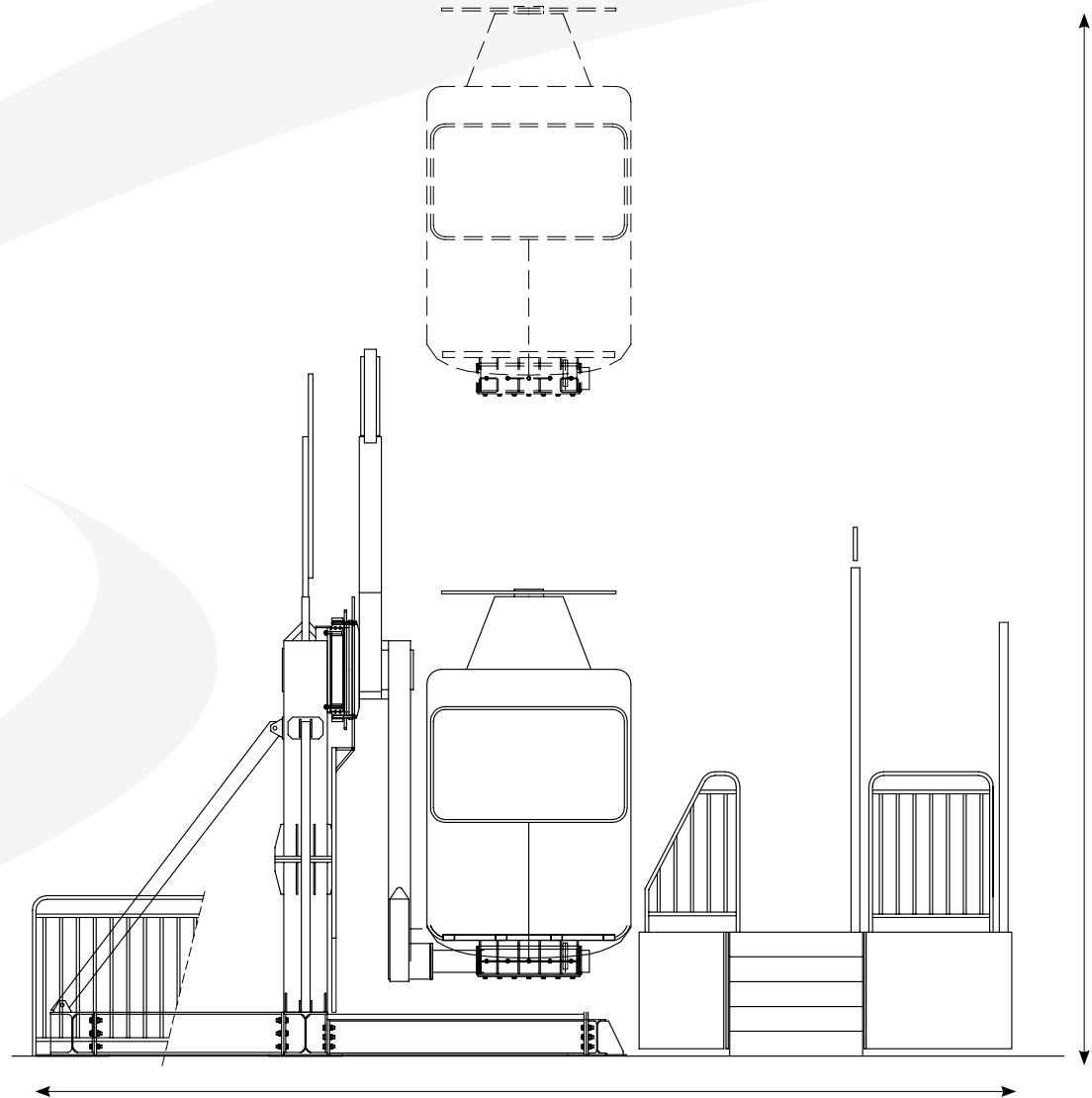
1 m - 3.2 ft

TECHNICAL SPECIFICATIONS

Structure

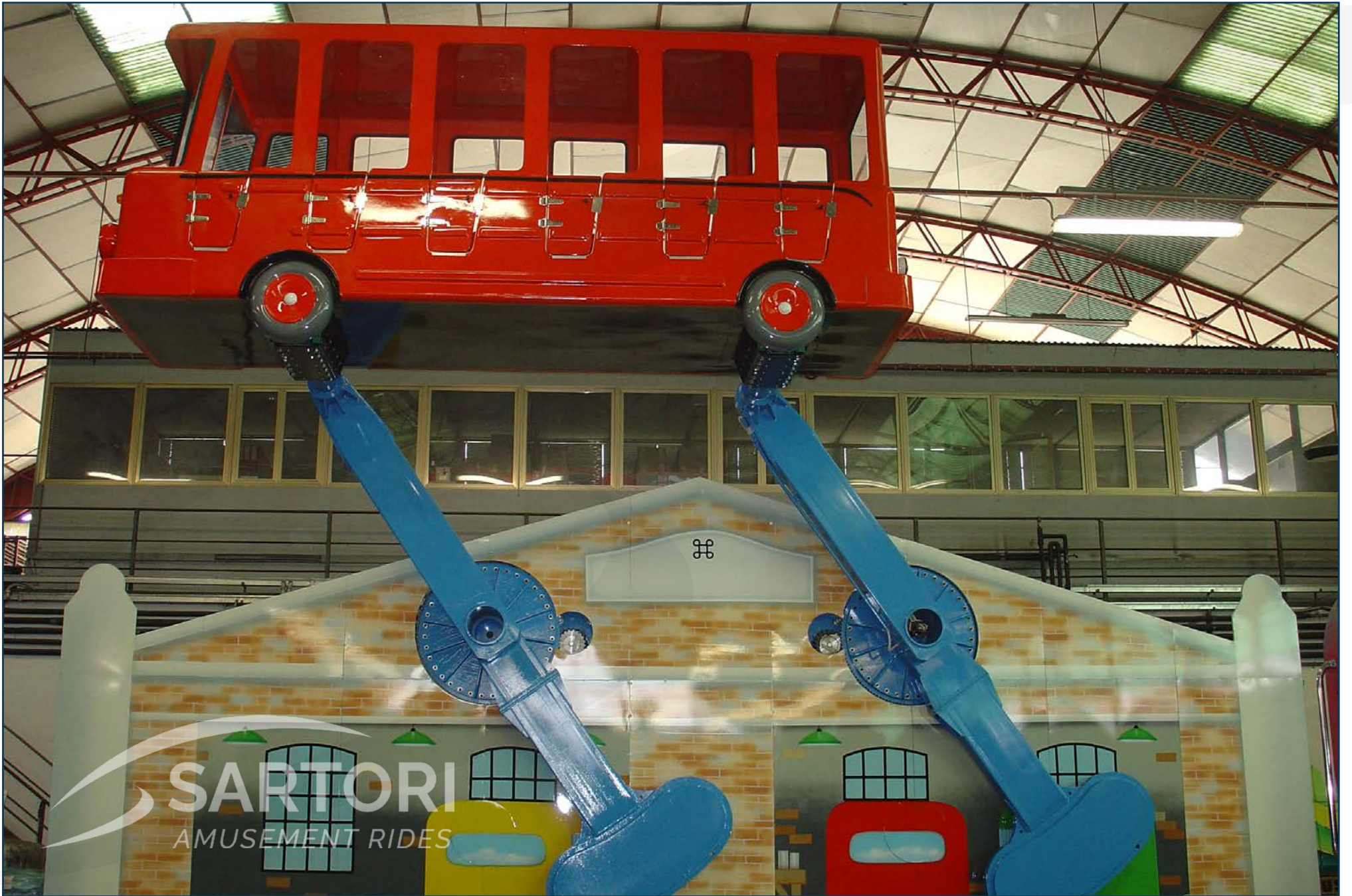


PARK MODEL



5.7 m - 18.7 ft

7.5 m - 24.6 ft



SARTORI
AMUSEMENT RIDES

