

# PIRATA BOAT



**SARTORI**  
AMUSEMENT RIDES

*Rides manufacturers since 1957*

# PIRATA BOAT



Park Model



On trailer

## TECHNICAL SPECIFICATIONS

<b>Base Size:</b>	~ 15.8 x 6.8 m - 52.8 x 22.3 ft (in operation)
<b>Height:</b>	~ 9.4 m - 30.8 ft
<b>Speed:</b>	~ 15 rpm
<b>Vehicles:</b>	1
<b>Seats capacity:</b>	28 seats
<b>Th. Capacity:</b>	~ 700 passengers/h
<b>Lighting:</b>	~ 9.5 kW
<b>Moving Power:</b>	~ 10 kW

EN-7/23-rev.2.0 – Subject to technical changes as part of product development, as well as errors and omissions.

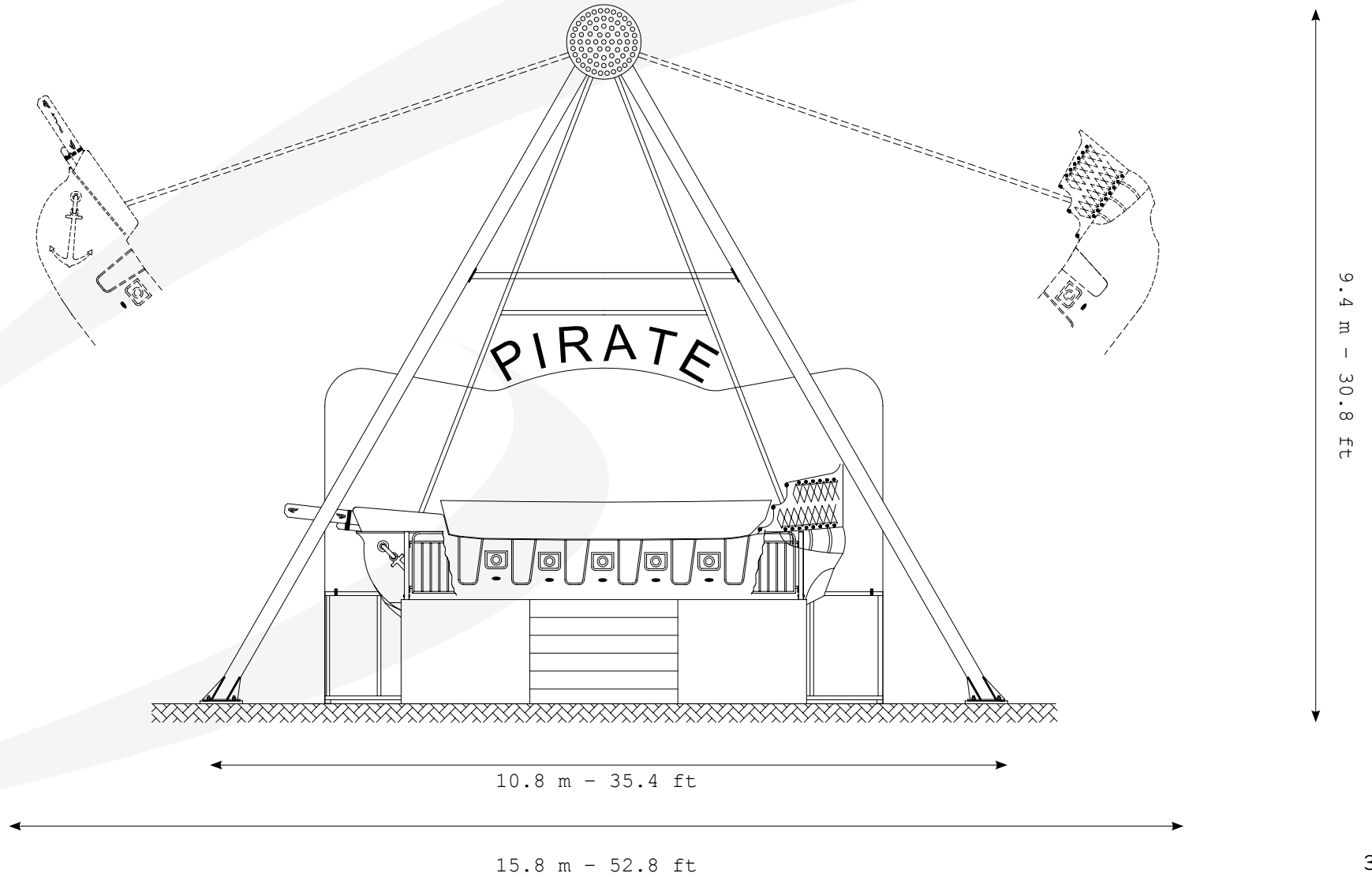


# TECHNICAL SPECIFICATIONS

## Structure



PARK MODEL

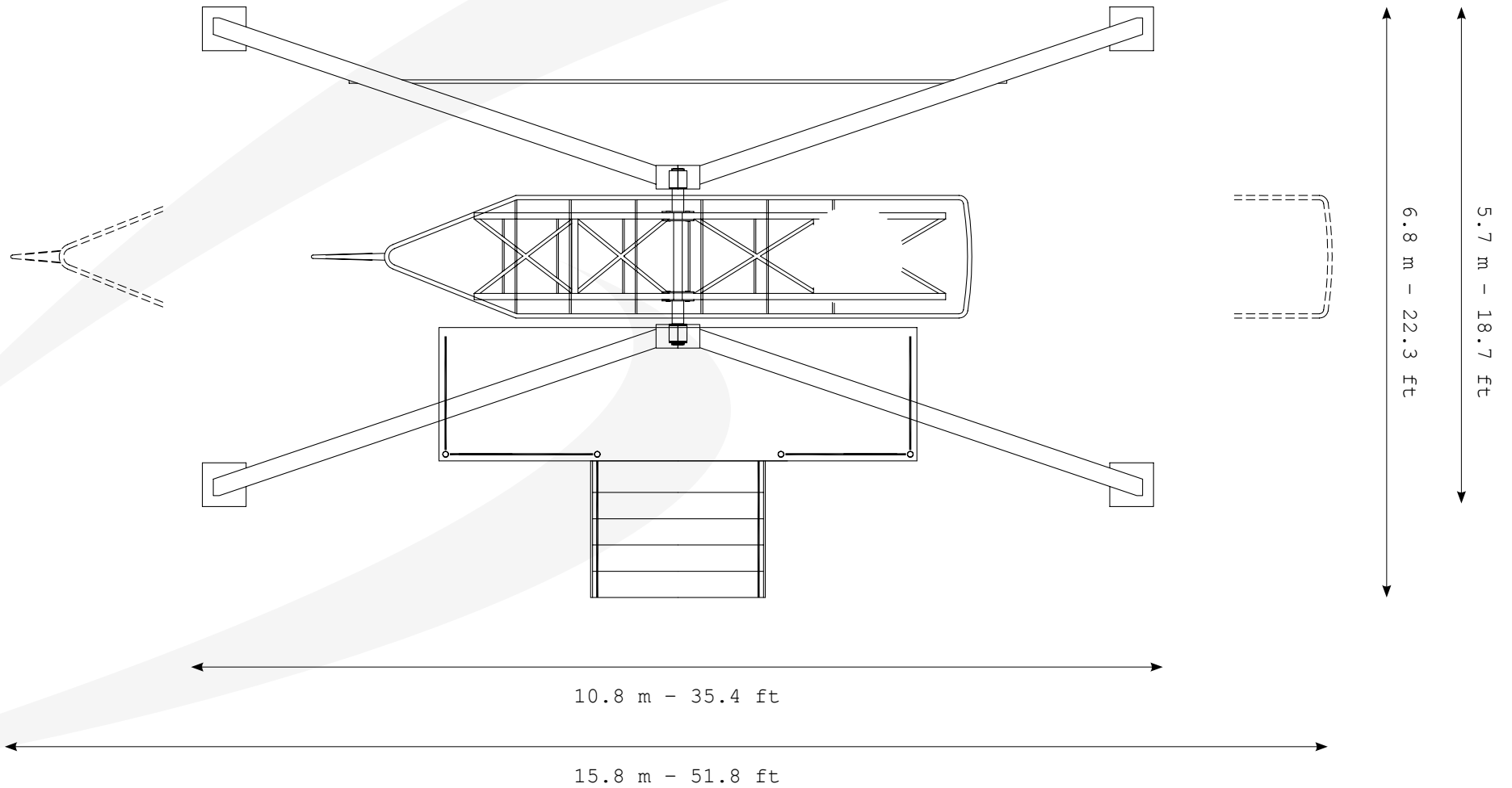


# TECHNICAL SPECIFICATIONS

## Structure



PARK MODEL



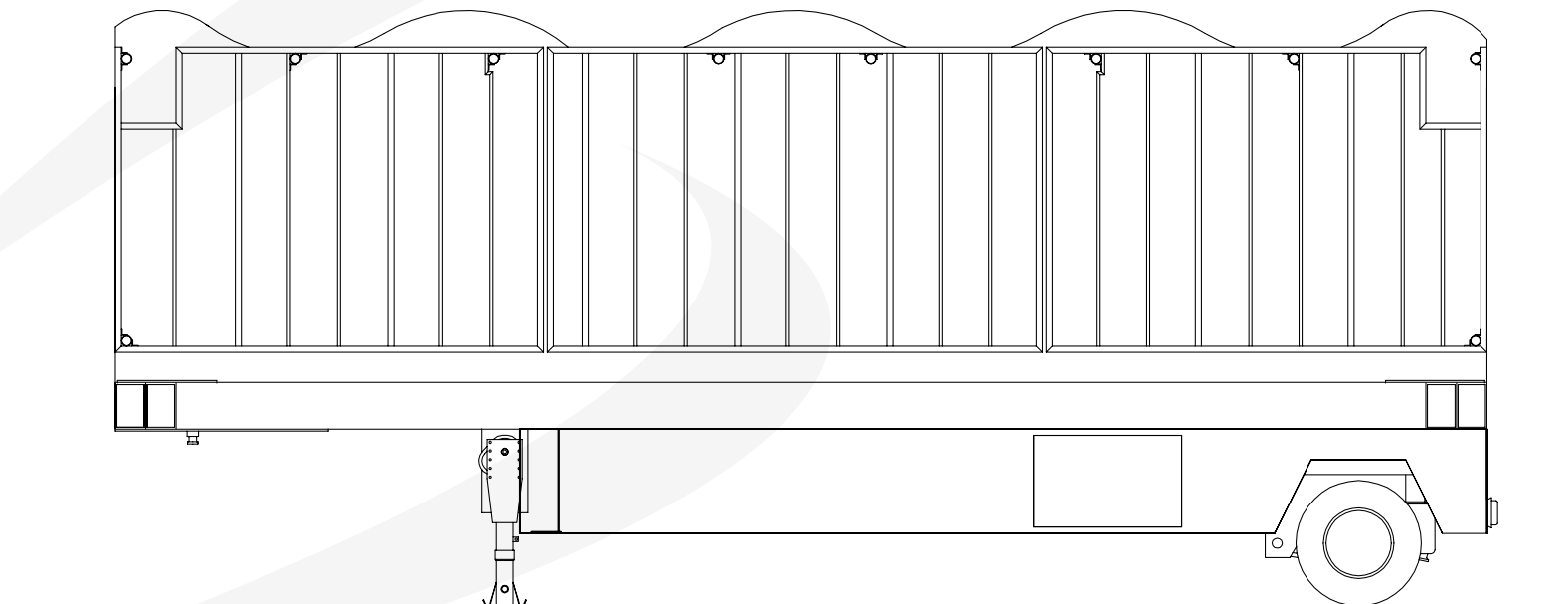
# TECHNICAL SPECIFICATIONS

## Structure



ON TRAILER

WIDTH 2.55m - 8.36ft



4 m - 13.1 ft

9 m - 29.5 ft



PARK MODEL

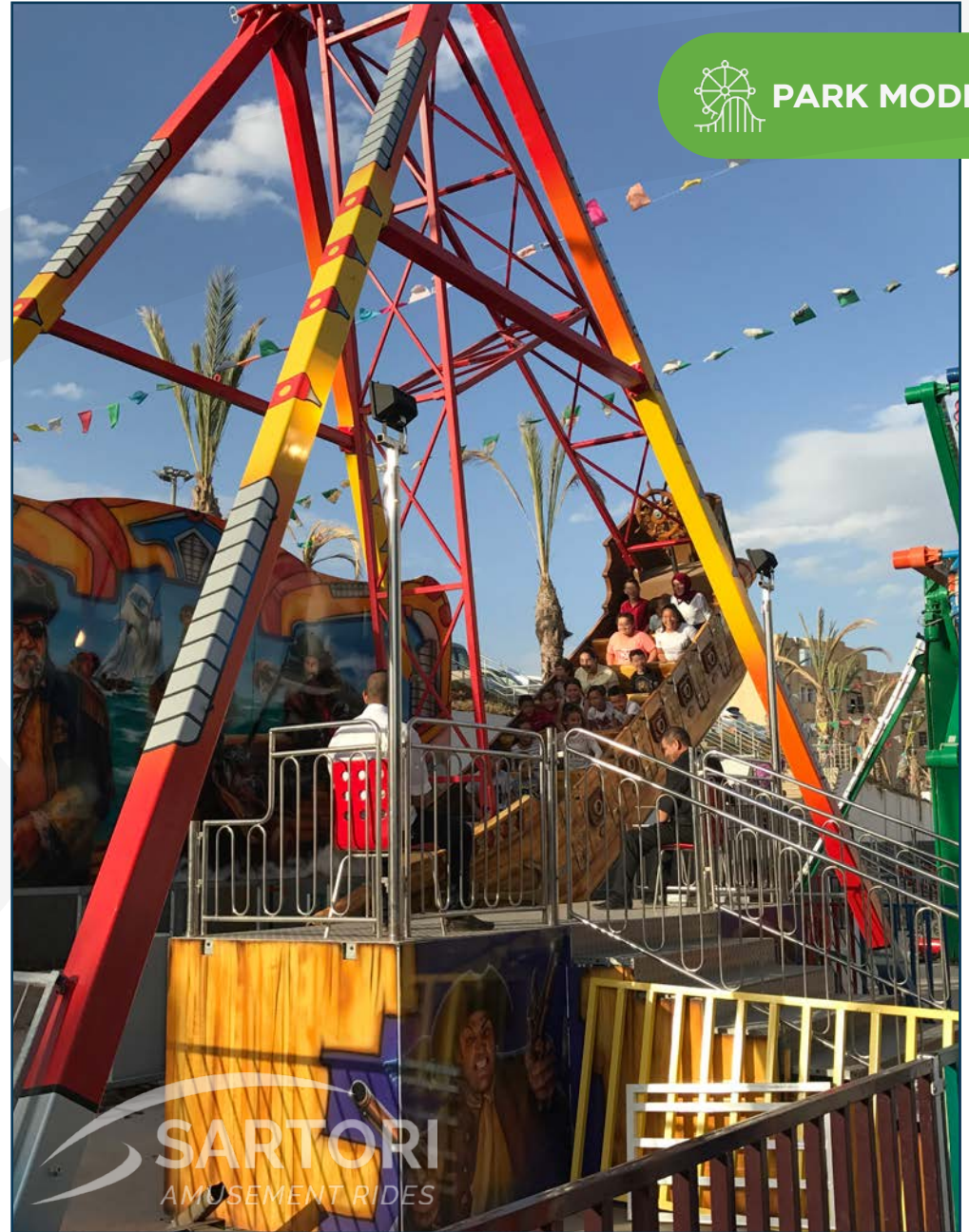
**SARTORI**  
AMUSEMENT RIDES



PARK MODEL



**SARTORI**  
AMUSEMENT RIDES



 **PARK MODEL**



