

SAFARI ADVENTURE



**SARTORI**
AMUSEMENT RIDES

Rides manufacturers since 1957

SAFARI ADVENTURE



Park
Model

TECHNICAL SPECIFICATIONS

Vehicle Size:	~ 2.33 x 1.1 m - 7.6 x 3.6 ft
Height:	~ 1.2 m - 3.9 ft
Track Length:	customizable shape and length
Operating:	Individual or convoy
Vehicles:	standard 5
Seats/Vehicle:	4 seats/each (adults and children)
Th. Capacity:	~ 600 passengers/h
Wheight:	~ 200 kg/each
Moving Power:	~ 0.5 kW each car

EN-7/23-rev.2.0 – Subject to technical changes as part of product development, as well as errors and omissions.



FAMILY

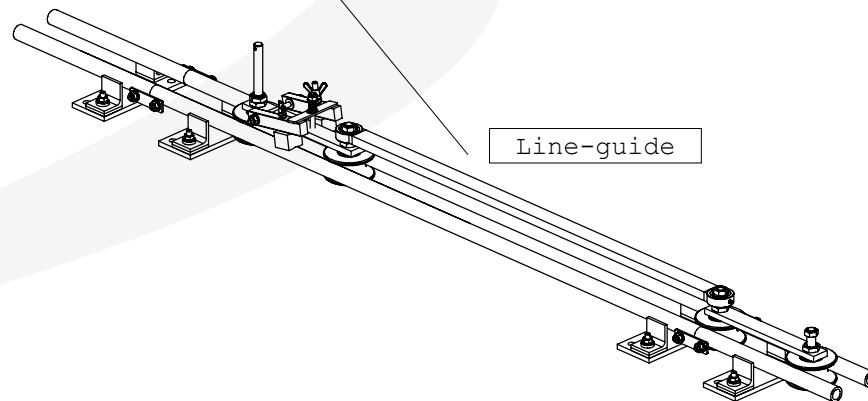
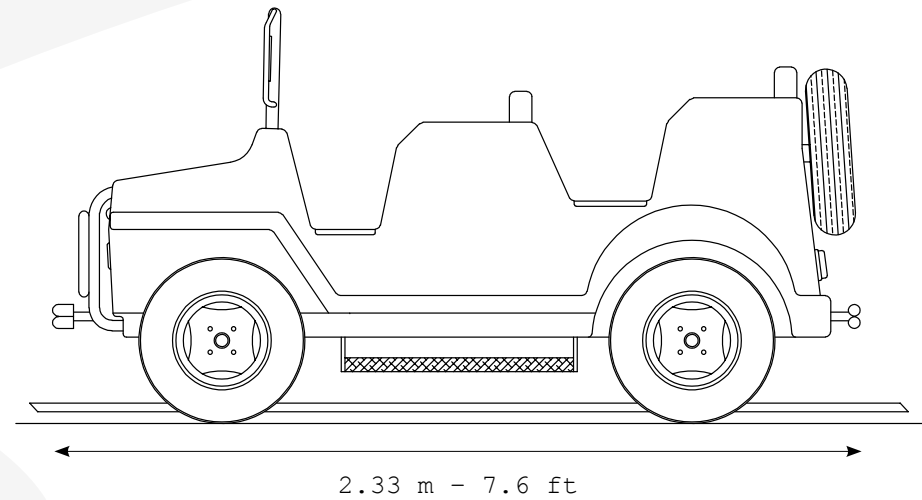
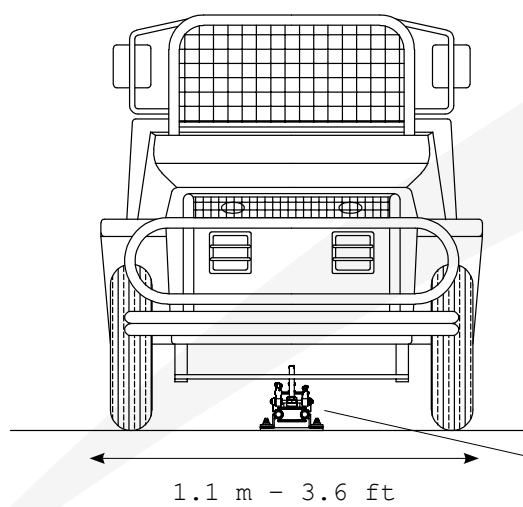


TECHNICAL SPECIFICATIONS

Structure



PARK MODEL





PARK MODEL



SARTORI
AMUSEMENT RIDES



PARK MODEL



SARTORI
AMUSEMENT RIDES

