

TREN AEREO



 **SARTORI**
AMUSEMENT RIDES

Rides manufacturers since 1957

TREN AEREO



Park
Model

TECHNICAL SPECIFICATIONS

Vehicle Size:	~ 1.93 x 1.3 m - 6.33 x 4.26 ft
Height:	~ 2 m - 6.56 ft
Track Length:	customizable shape and length
Vehicles:	1 + 4 standard (customizable)
Seats/Vehicle:	4 seats/wagon + 2 seats/locomotive

EN-7/23-rev.2.0 – Subject to technical changes as part of product development, as well as errors and omissions.



FAMILY

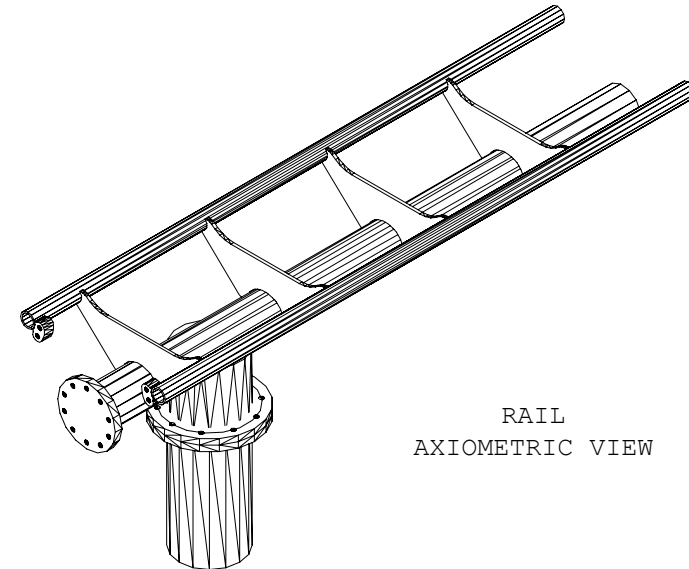
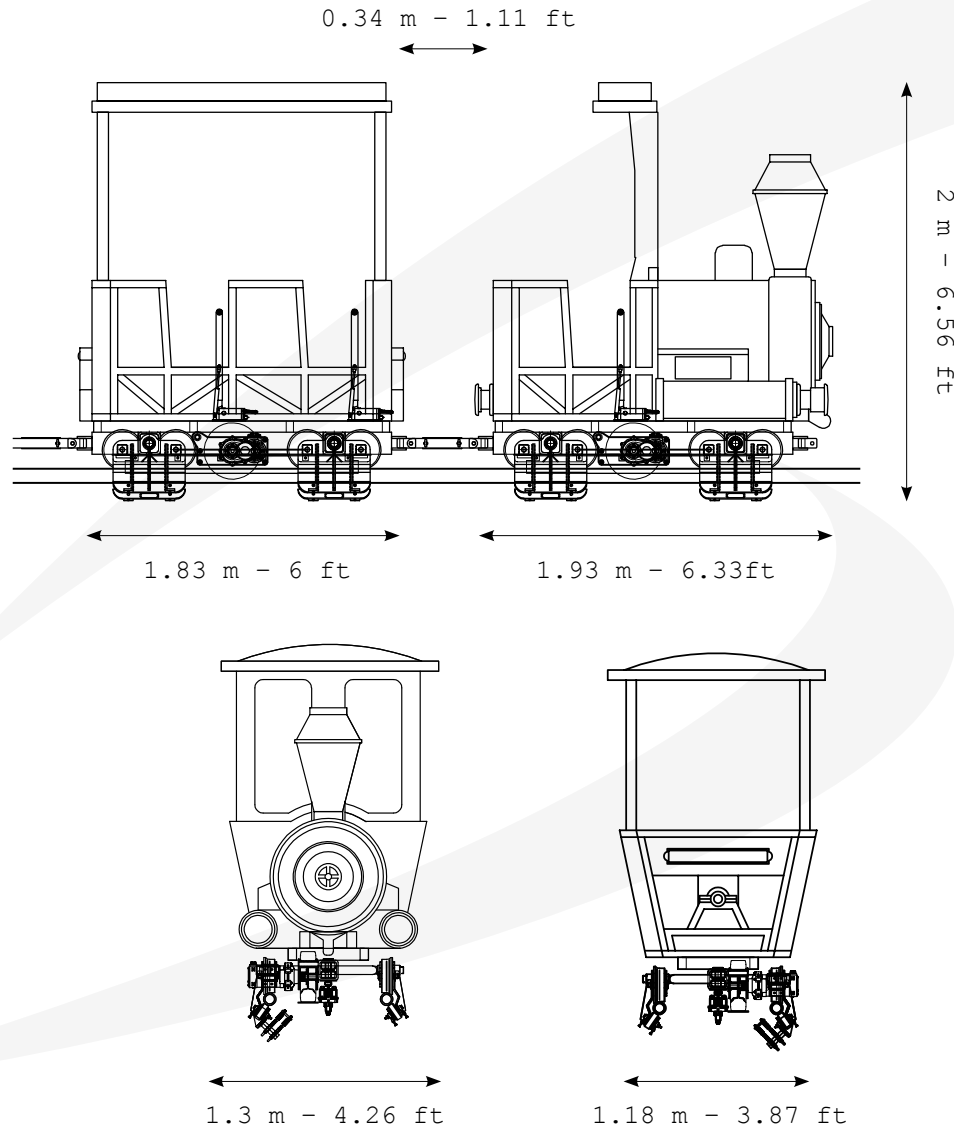


TECHNICAL SPECIFICATIONS

Structure



PARK MODEL



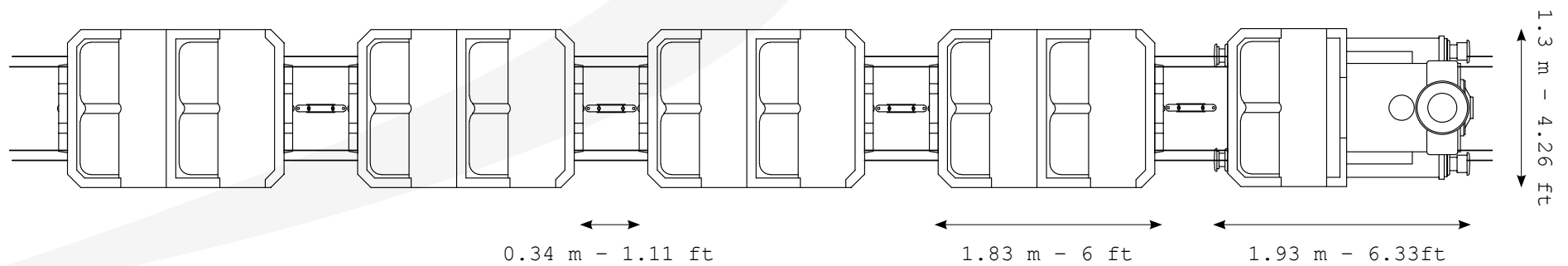
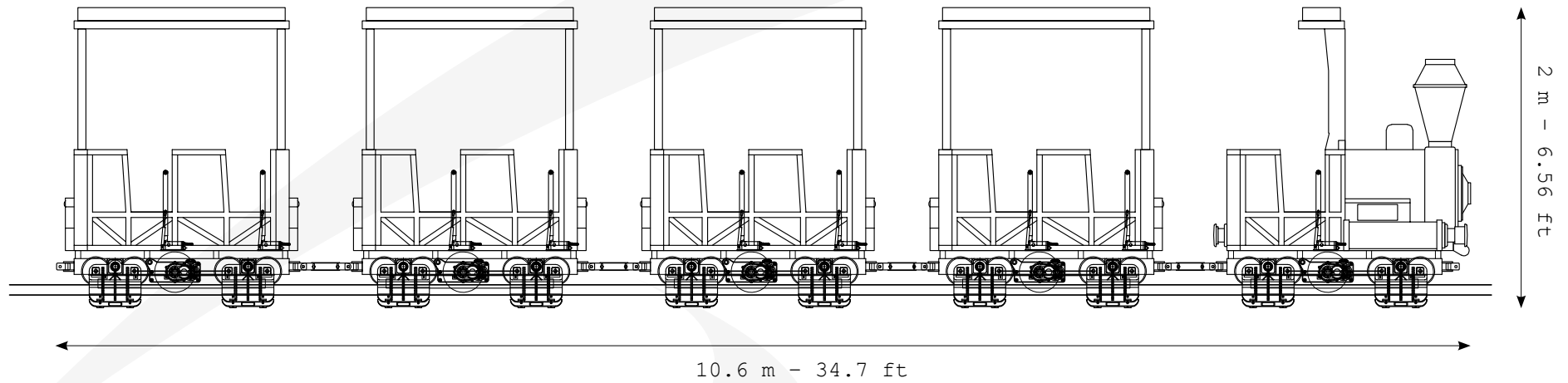
RAIL
AXIOMETRIC VIEW

TECHNICAL SPECIFICATIONS

Structure



PARK MODEL





PARK MODEL



SARTORI
AMUSEMENT RIDES



PARK MODEL



SARTORI
AMUSEMENT RIDES

