



专注LED舞美灯光研发与生产



晨亮光电  
CLEN LED

- 网址(Website): [www.clenled.com](http://www.clenled.com)
- 邮箱(email): [info@clenled.com](mailto:info@clenled.com)
- 电话(Tel): 86-0755-27612400
- 传真(Fax): 86-0755-27612700
- 脸书(Facebook): [www.facebook.com/clenledlightingshow](http://www.facebook.com/clenledlightingshow)

地址1: 深圳市宝安区石岩镇水田社区扬丰科技园D栋3楼  
Add1: 3F, D Building, Yang Feng Tech-Park, Shiyan Town,  
Bao'an District, Shenzhen, Guangdong, China

地址2: 东莞市凤岗京东智谷15栋9楼  
Add2: 9F, Building 15, Jingdong Zhigu, Fenggang,  
Dongguan, Guangdong, China

# CLEN LED

## 晨亮光电

专注LED 舞美灯光研发、生产

Specialized in the Development and Manufacture of LED Stage Lighting



CLEN LED



MAD-SHOW



深圳市晨亮光电科技有限公司  
Shenzhen Clen Optoelectronics Co., Ltd

# 公司简介

## Company Profile

晨亮光电创建于2007年，是一家专业而强大的自主研发LED像素条和控制器系统制造商。我公司主打租赁视频条，DMX像素环，3D垂直管，360度彩云管，霓虹灯条和artnet控制器系统，适用于舞台租赁演出行业，电视台和景观装饰，夜游以及各种大型游乐场所等地。我公司已荣获ISO9001：2015国际质量管理认证，CE&ROSH认证和自有品牌专利等。我们拥有强大的工程师团队和售后服务，可为您提供技术指导，并为您提供支持ODM项目的完整建议。我们还有一支训练有素的品控团队，以确保所有产品的质量。

Shenzhen Clen Optoelectronics Co., Ltd, established in 2007 in Shenzhen China, is a professional and strong LED pixel strip manufacturer. Our company engages in the research, development, production, sale and service of LED stage rigid b-ar, 360 degree tube, DMX stage rings, P5 stage screen for applying in indoor & outdoor Rental stage project, Clubs and TV studio and landscape decoration.

We have a strong engineer team to give you technical guidance and provide you with a complete proposal for supporting your ODM project.

We also have a trained QC team to ensure the quality of all products.

**2007** The company was established.  
2007 深圳市晨亮有限责任公司成立

**2017** Successfully registered, gained the company trademark and won the high-tech enterprise honor.  
2017年成功注册公司商标并荣获高新技术企业荣誉

**2014** Independently research and develop LED pixels Tubes and controller which has been CE and ROHS certificated, own the patent.  
2014年 独立研发LED像素条和控制器，申请多项专利，同时获得CE和ROSE认证

**2021** The independently developed led pixel tubes, and controllers were exported to Japan, South Korea, the Middle East, Europe, America and other regions, and were well received.  
2021自主研发的LED像素管和控制器远销日本，韩国，中东，欧洲，美国等海外地区

**2018** Become a Gold Medal Alibaba Supplier; Certificated by the ISO9001: 2015 quality management system; Annual sales exceeded 30 million.  
成为阿里巴巴金牌供应商，通过ISO 9001: 2015 认证质量管理体系；年销售超过三千万

# Contents

## 目录

晨亮光电\CLEN LED	1	公司简介\Company Profile	2
产品目录\Product Catalog	3		

### 主营产品\ Main Products

<u>LED Video Pixel Bar</u>		<u>LED Pixel Ring</u>	
视频条\Video Pixel Bar	4 — 7	像素环\Pixel Ring	28 — 29
视频条Plus\Video Pixel Bar Plus	8 — 9	<u>LED Strip</u>	
<u>LED 360 Degree Tube</u>		幻彩灯带\Full color led strip	30 — 31
彩云管\360 Degree Tube	10 — 11	霓虹灯带\Neon Strip	32 — 33
<u>Hondys Wireless Battery Tube</u>		<u>LED Controller</u>	
虹笛管\Hondys Tube	12 — 15	CL-104PS 控制器\CL-104PS controller	34
虹笛像素点\Hondys Pixel	16 — 17	CL-AN404 控制器\CL-AN404 controller	35
<u>Rotation control system</u>		CL-404R 控制器\CL-404R controller	36
旋转彩云管\Rotation 360 Led Tube	18 — 21	CL-804PS 控制器\CL-804PS controller	37
云鳞片\Scalelike Matrix	22 — 25	CL-AN804PRO 控制器\CL-AN804PRO controller	38 — 39
<u>LED Meteor Tube</u>		CL-AN104 控制器\CL-AN104 controller	40 — 41
流星管\Meteor Tube	26 — 27	<u>MAD-SHOW</u>	
		MAD-SHOW灯光控制系统\Lighting Control System	42 — 47

### 相关配件\ Accessories

<u>Accessory</u>	
连接杆\Connecting rod	48
线材\Wire	49

### 关于我们\ About Us

展会纪实\Exhibition documentary	50
企业资质\Qualification	51



# 视频条 LED Video Bar

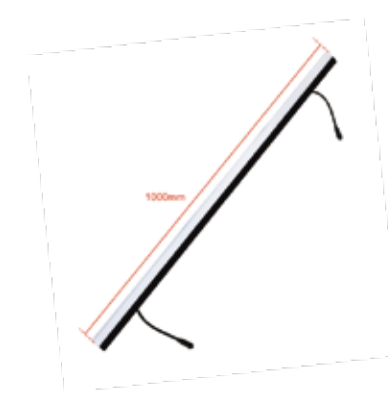
视频条采用SPI控制方式，SK6812单信号传输，256级灰度，120度发光无暗区；串联传输，信号稳定，可实现点控及全彩颜色变换；广泛应用于舞台氛围烘托、公园夜景装饰，广告显示屏、天文馆和科技展馆效果点缀。

SPI LED pixel tube, SK6812 single signal transmission, 256-level gray scale, 120-degree beam angle and no dark area. Serial transmission, stable signal, can realize independently addressable control and full-color color conversion. It is widely used in stage, club, fashion show, wedding, party, planetarium and science and technology exhibition hall etc.

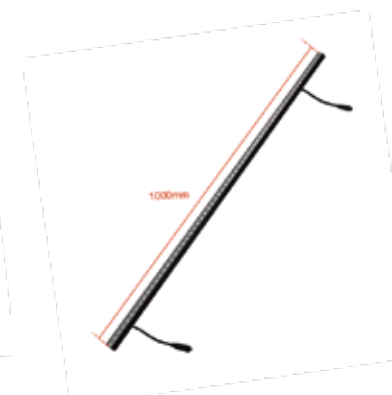
尺寸可定制  
Size can be customized



1m圆形罩  
1m Milky round cover



1m方形罩  
1m Square cover

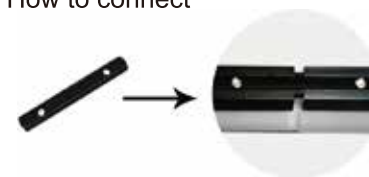


1m平面罩  
1m Flat cover

## LED Video Bar

产品型号 (Product model) CL-VB5050RGB64	LED 规格 (LED specifications) 5050RGB/5050RGBW
工作电压 (Working voltage) DC24V	像素点数 (Pixel) 64PCS
功率 (Power) 15W	产品重量 (Product weight) 0.475KG
灰度等级 (Gray level) 8BIT	防水等级 (Waterproof rating) IP65
LED数量 (LED quantity) 64PCS	通道顺序 (Channel) GRB/GRBW

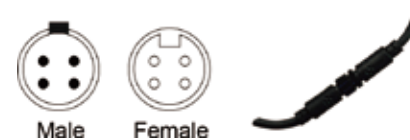
如何连接  
How to connect



①连接杆连接 Connecting rod connection



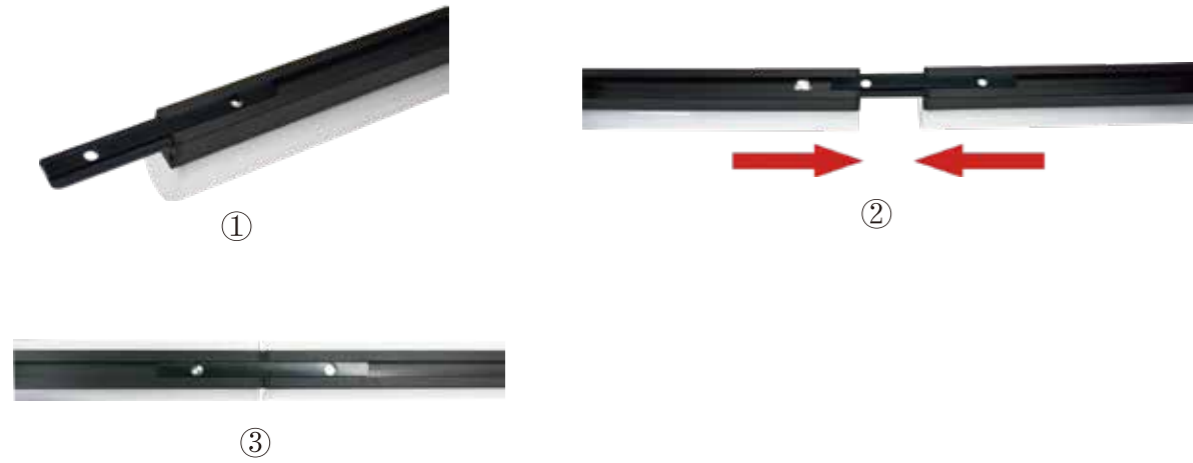
②挂钩连接 Hook connection



③公母头对插 Male and female head mating



产品无缝拼接  
Product seamless splicing



无缝拼接，操作简单；搭建造型，使用方便  
Seamless splicing, simple operation; construction modeling, easy to use

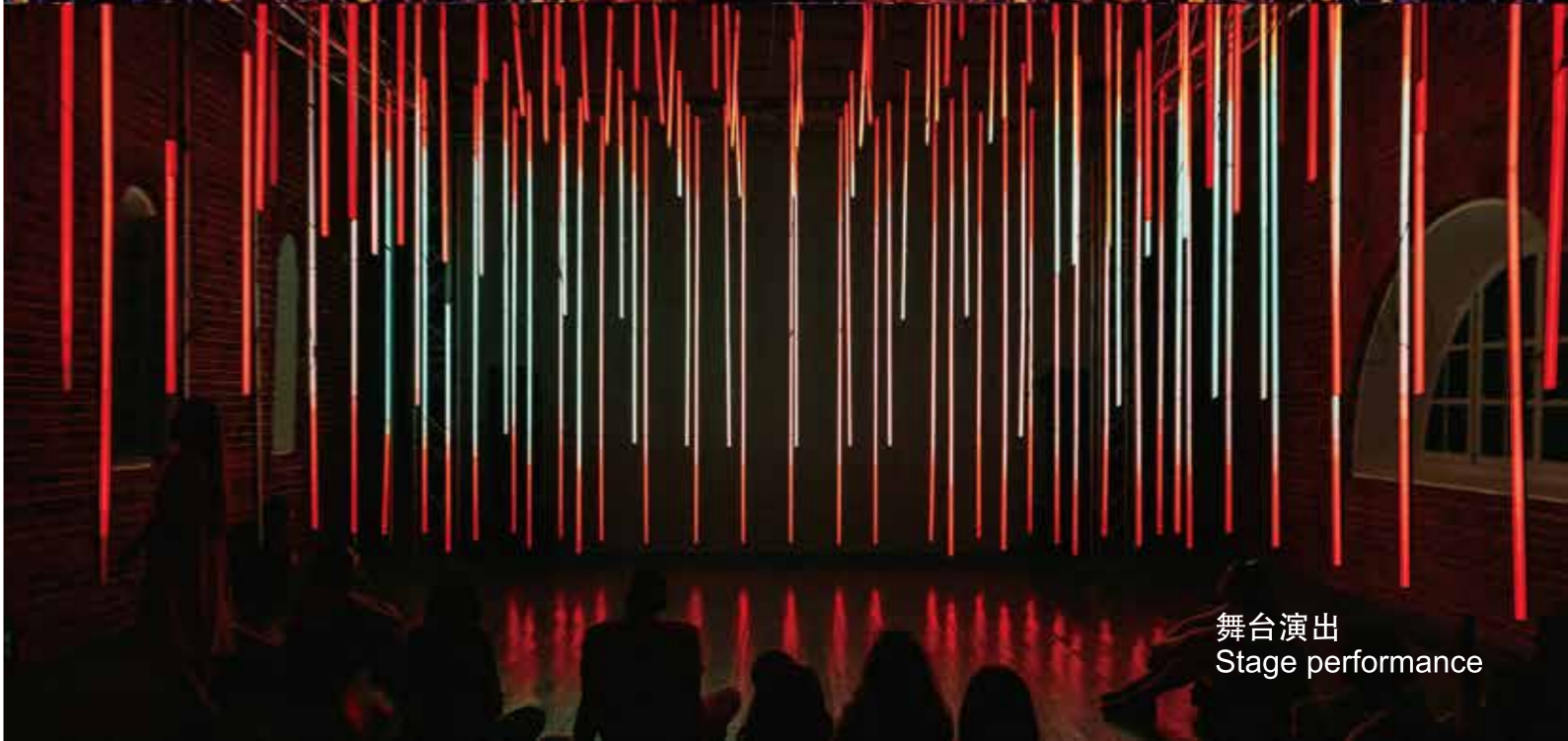
内置电源控制器使用示意图  
Schematic diagram of the controller with built-in power supply



控台连接控制器使用示意图  
Schematic diagram of connect the controller with console



通过信号转换板连接控台与控制器  
Connect the console and the controller through the signal conversion board

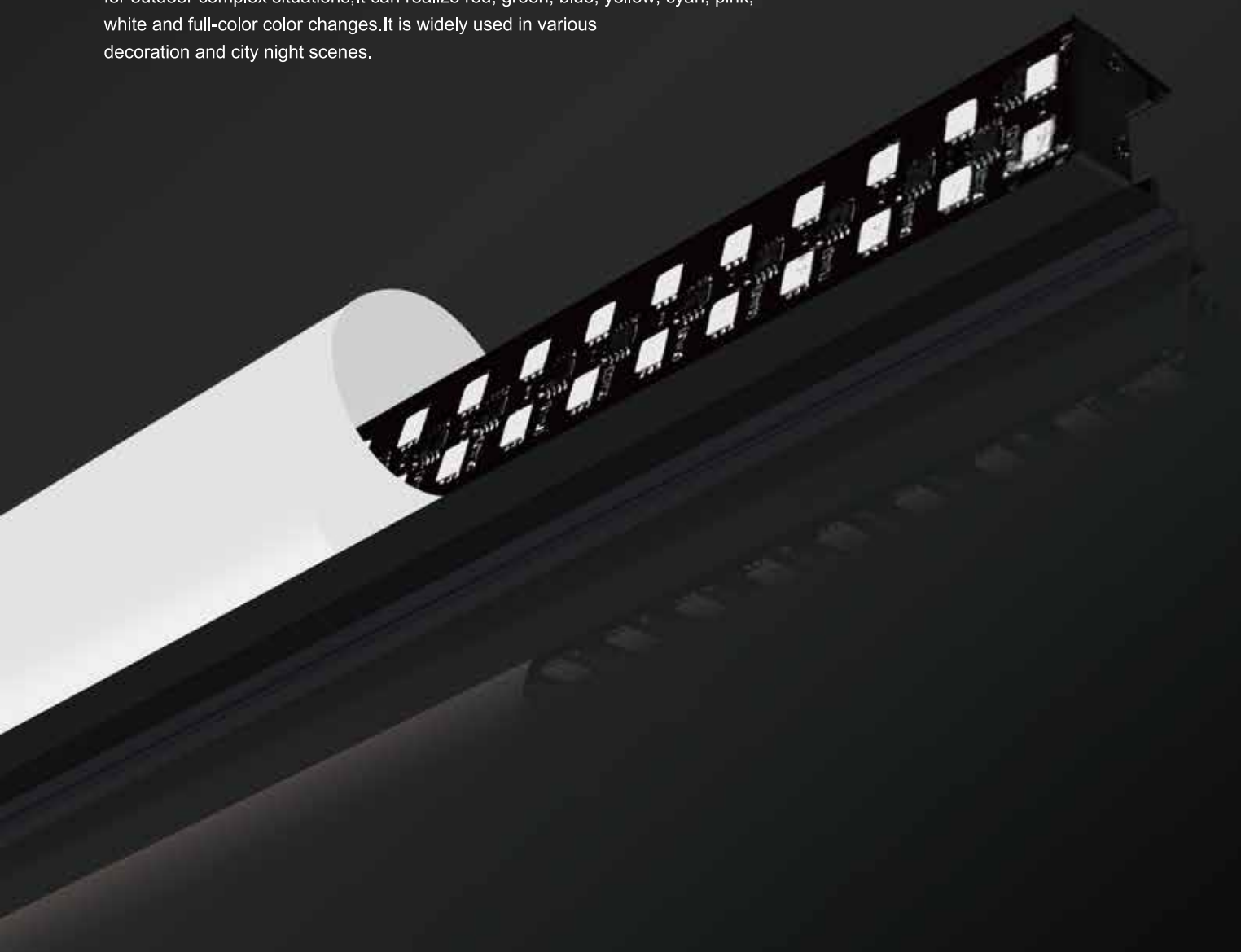


舞台演出  
Stage performance

# 视频条 PLUS LED Video Bar Plus

视频条PLUS在视频条的基础上精心改良，采用双排灯珠设计，灯珠数量提高一倍，65536级灰度，亮度更高；端口4K高清输出，低压直流供电更稳定，同时IP65防尘防水，适用于户外复杂情况；可实现红、绿、蓝、黄、青、粉、白及全彩颜色变幻，广泛用于各种装饰和城市夜景等领域。

The bar Plus is upgraded on the basis of the led bar standard, with double-row led lamp, double the quantity of led lamp, 65536 levels of gray, and higher brightness; Each port is with 4K HD output, stable low-voltage DC power supply, IP65 dustproof and waterproof, and be suitable for outdoor complex situations; It can realize red, green, blue, yellow, cyan, pink, white and full-color color changes. It is widely used in various decoration and city night scenes.



LED Video Bar Plus	
产品型号 (Product model) CL-VB5050RGB128	LED 规格 (LED specifications) 5050RGB
工作电压 (Working voltage) DC24V	像素点数 (Pixel) 32PCS
功率 (Power) 24W	产品重量 (Product weight) 0.86KG
灰度等级 (Gray level) 16BIT	防水等级 (Waterproof rating) IP65
LED数量 (LED quantity) 128PCS	通道顺序 (Channel) GRB



无缝拼接，操作简单；搭建造型，使用方便  
Seamless splicing, simple operation; construction modeling, easy to use

尺寸可定制  
Size can be customized



乳白圆形灯罩  
Milky round cover



乳白平面灯罩  
Milky flat cover



黑色平面灯罩  
Black flat cover

内置电源控制器使用示意图  
Schematic diagram of the controller with built-in power supply

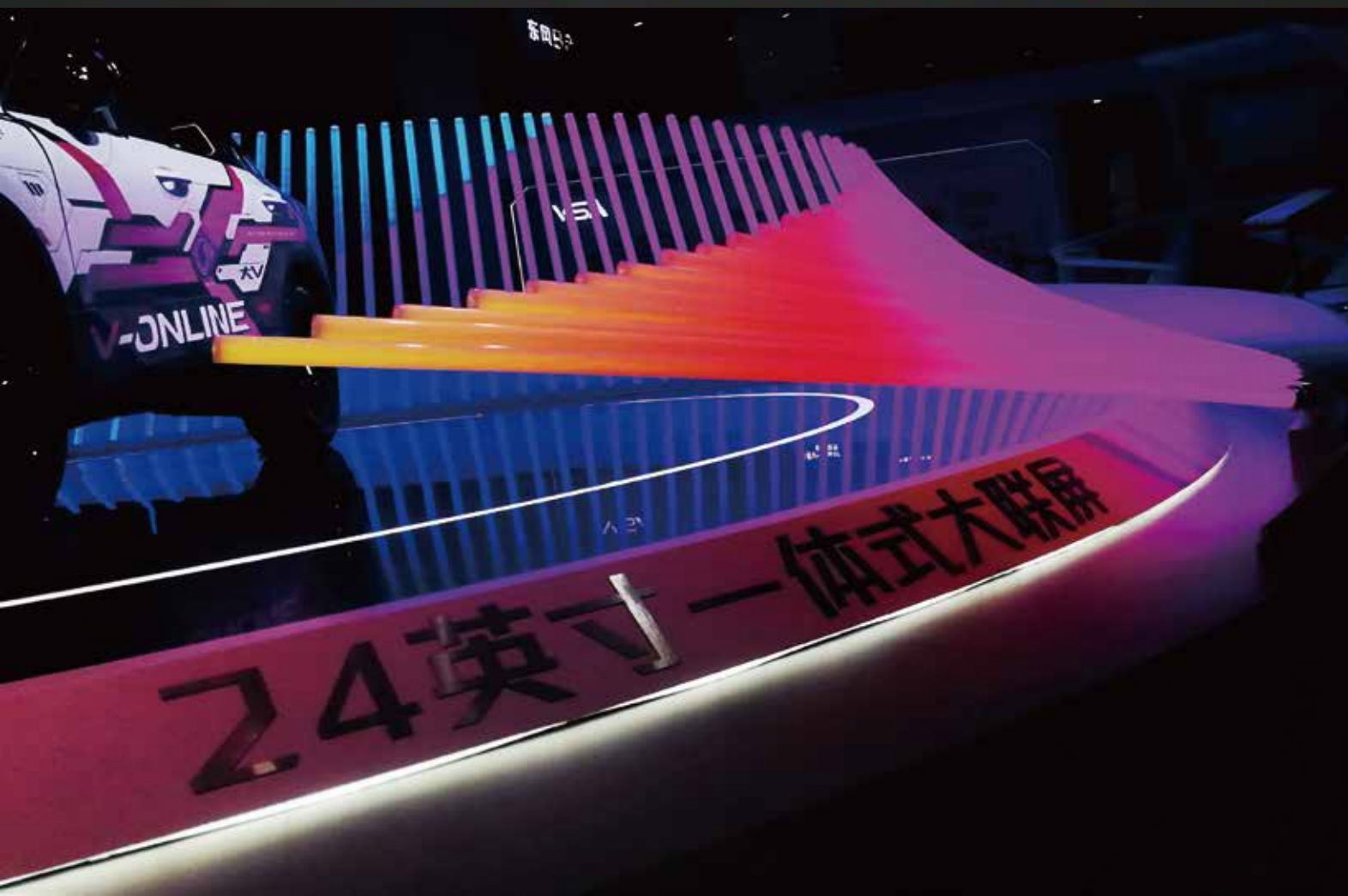


# 彩云管 LED 360 Degree Tube

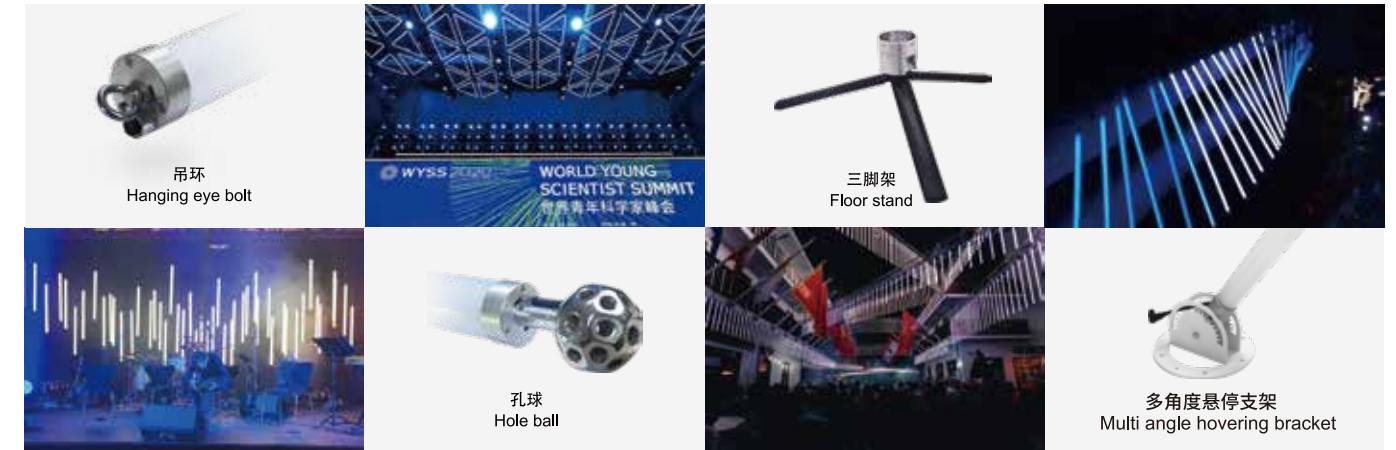


360° 彩云管采用双面灯珠设计, 360度发光, 144颗高亮度灯珠, 256级灰度, 保证发光亮度; 首尾两端分别采用吊环和连接杆设计, 搭配多孔球可搭建各种造型满足现场需求; 低压直流供电, 同时IP65防尘防水, 适用户外复杂天气情况; 可实现红、绿、蓝、黄、青、粉、白及全彩颜色变幻, 广泛用于各种装饰和城市夜景等领域。

360°color cloud tube adopts double-sided lamp bead design, 360-degree light-emitting, 144 high-brightness lamp beads, 256 levels of gray, to ensure the luminous brightness; Both ends of the head and tail are designed with rings and connecting rods, and with porous balls, various shapes can be built to meet the needs of the site; Low voltage DC power supply, IP65 dustproof and waterproof, suitable for outdoor complex weather conditions; It can realize red, green, blue, yellow, cyan, pink, white and full-color color changes, It is widely used in various decoration and city night scenes.



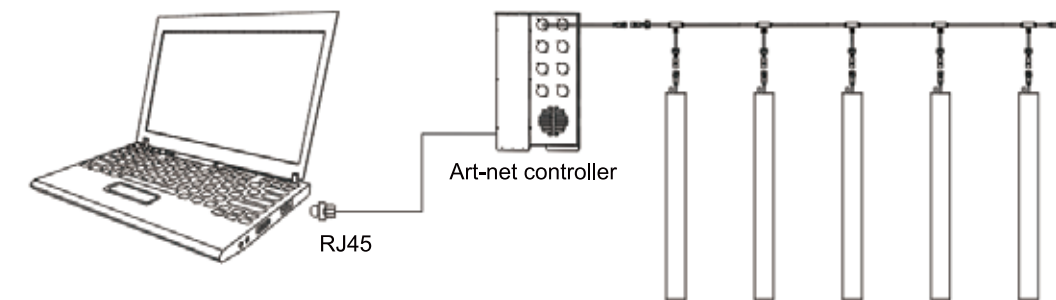
## 3种安装方式 Three installation methods



## LED 360 Degree Tube

产品型号 (Product model)	CL-T100W	LED 规格 (LED specifications)	5050RGB/RGBW
工作电压 (Working voltage)	DC24V	像素点数 (Pixel)	24PCS
功率 (Power)	24W	产品重量 (Product weight)	0.59KG
灰度等级 (Gray level)	8BIT	防水等级 (Waterproof rating)	IP65
LED数量 (LED quantity)	144PCS	通道顺序 (Channel)	RGB/RGBW

## 内置电源控制器使用示意图 Schematic diagram of the controller with built-in power supply



## 尺寸表 Dimension table

长度(MM) Length	520	600	680	760	840	920	1000	1080	1160	1240	1320	1400
像素点(PCS) Pixel	12	14	16	18	20	22	24	26	28	30	32	34

长度(MM) Length	1480	1560	1640	1720	1800	1880	1960	2040
像素点(PCS) Pixel	36	38	40	42	44	46	48	50

可定制不同长度  
Can be customized different lengths

# 虹笛无线电池管

## Hondys Wireless Battery Tube

此产品为无线控制智慧型LED灯管，采用2.4G WIFI无线传输，支持无线ARTNET/DMX信号控制，控制距离可达60M;支持手动/PC/控台/APP控制，使用简单便捷;160°发光角度，可实现单色、渐变、流水、跳变、动态等多种灯光效果;内置多种灯光模式，适用多种场景;吊环、灯扣、三脚架等多种安装方式,适用于舞台灯光、舞台表演、临时活动、车展、婚礼现场、户外旅行、拍照摄影、音乐会等场所。

This product is a smart wireless LED tube, using 2.4G WIFI wireless transmission, support wireless ARTNET/DMX signal control, the control distance can reach 60M; Supports manual\PC\Console\APP control, easy to use; 160°beam angle, which can realize various lighting effects such as monochrome, gradient, flowing water, jumping, etc,dynamic; Hanging rings, light buckles, tripods stand and other installation methods; Suitable for stage lighting, stage performances, temporary events, auto shows, wedding lighting, outdoor travel,photography, concerts and other places.



### 虹笛无线电池管 Hondys Wireless Battery Tube

Hondys Wireless Battery Tube	
充电电压 (Charging voltage) 5—20V	功率 (Power) 35W
工作模式 (Working mode) ArtNet4/DMX/sACN	续航 (Continue to navigation) Full power>3H
电池寿命 (Battery life) ≥500TIMES	传输距离 (Transmission distance) ≥60M
灰度等级 (Gray scale) 16BIT	输出颜色 (Output color) 16K
显色指数CRI (Color rendering index) >92	尺寸 (Size) 1000\1500*Φ40MM

### 四种控制方式 Four control methods

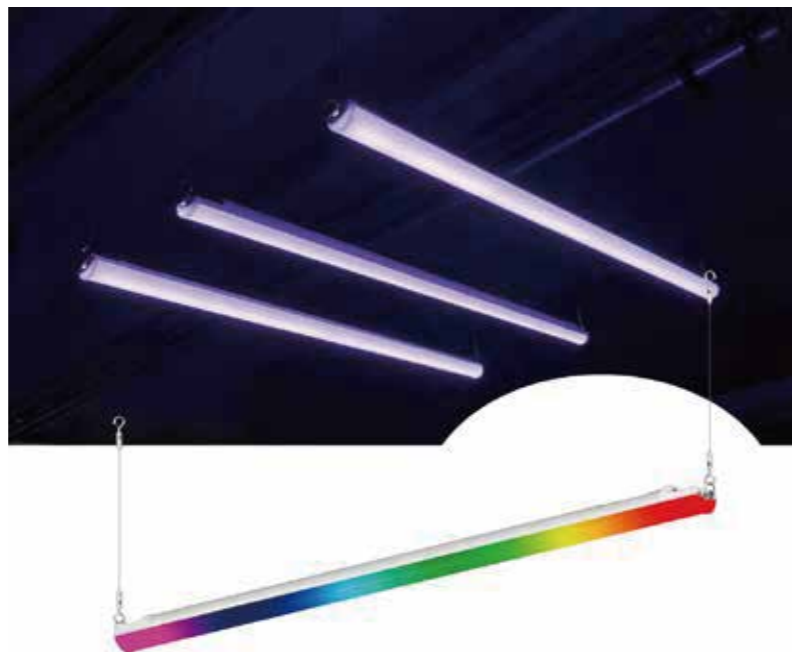


角度速度传感器,可根据灯管转动的角度与速度来切换灯光的效果与速度,可自定义动作的效果等  
Angle speed sensor: It can switch the lighting effect and speed according to the angle and speed of the lamp tube rotation, and can also customize the effect of the action, etc.

多种安装方式  
Variety of installation methods



**1.无缝拼接 Seamless stitching**  
虹笛管两侧嵌入销钉,对插虹笛管,实现无缝拼接;  
The straight connectors are embedded on both sides of the Hondys tube, and the Hondys tube is inserted into each other to achieve seamless splicing;



**2.吊环安装 Ring installation**  
两侧悬挂吊绳和螺丝完成吊装,注意吊环角度,防止灯管重心偏移;  
Hanging ropes and screws on both sides complete the hoisting, Pay attention to the angle of the lifting ring to prevent the center of gravity of the lamp from shifting;

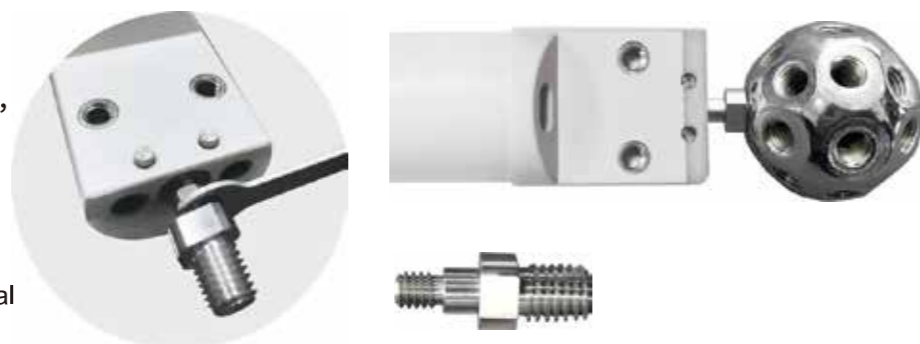


**3.三脚架安装 Tripod stand installation**  
三脚架配合连接杆固定虹笛管,垂直竖立于地面;  
The tripod is used with the connecting rod to fix the Hondys tube. Standing vertically on the ground;



**4.灯扣安装 Light buckle installation**  
使用灯扣固定虹笛管两侧完成安装,灯扣底部含相机螺纹,可配合其他配件固定安装;  
Use the light buckle to fix the two sides of the Hondys led tube. The bottom of the light buckle contains camera threads, which can be fixed and mounted with other accessories;

**5.灯扣连接杆**  
Three-dimensional connecting rod;  
使用立体连接杆固定到虹笛管螺孔内完成安装,可配合孔球或其他配件完成立体造型搭建;  
Use the three-dimensional connecting rod to fix it into the screw hole of the Hondys Tube to complete the installation, and can cooperate with the holes ball or other accessories to complete the three-dimensional modeling;



虹笛APP下载  
App Download



iOS用户在App Store 搜索“hondys”下载安装  
iOS users search for and download/install Hondys from the app store



Android用户使用浏览器扫描二维码下载安装;  
Android users can scan and download/install via their browser..





Hondys Pixel

充电电压 (Charging voltage) 5—20V	功率 (Power) 30W
工作模式 (Working mode) ArtNet4/DMX/sACN	续航 (Continue to navigation) Full power>3H
电池寿命 (Battery Life) ≥500TIMES	传输距离 (WiFi distance) ≥60M
灰度等级 (Gray scale) 16BIT	输出颜色 (Output color) 16K
显色指数CRI (Color rendering index) ≥92	尺寸 (Size) 100*100*65MM

四种控制方式  
Four control methods



几款不同的面罩可以随意更换, 应对不同场景  
Several different masks can be changed at will to cope with different competitions



可使用连接器拼接搭建造型, 支持1/4相机螺纹固定安装  
Connector splicing can be used to build the shape, and 1/4 camera thread can be fixed and installed



# 旋转控制系统

## Rotation control system

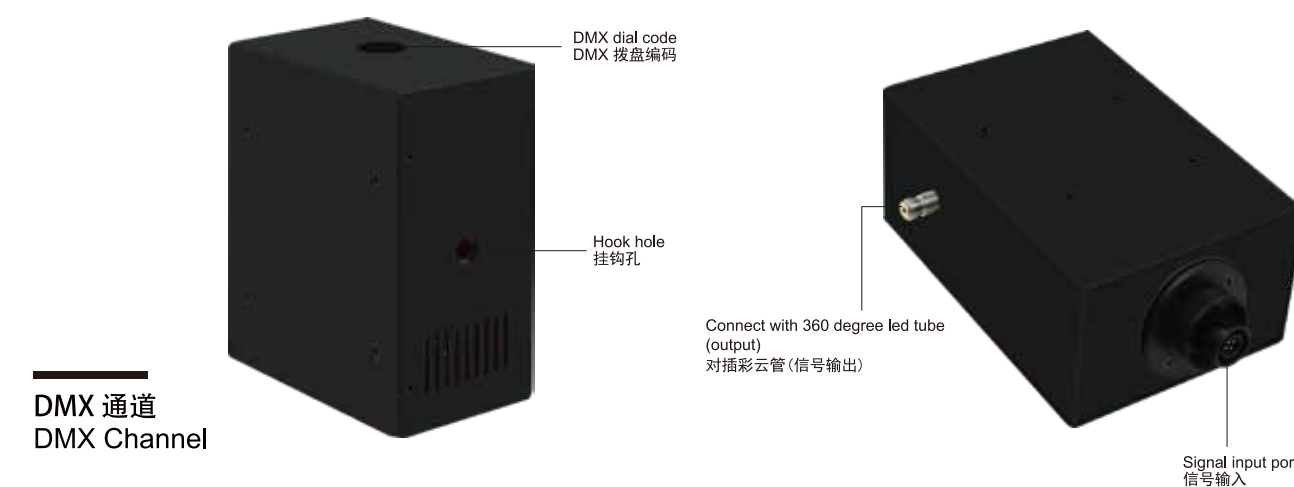
旋转控制系统作为舞台灯光的新兴势力，初登舞台便成为舞台的焦点，风格神秘优雅，效果炫彩夺目，是众多客户钟情于她的原因所在；旋转彩云管可360度发光、旋转，角度任意调节，信号稳定，可广泛运用于舞台、展厅、酒吧等场所。

As a new force in stage lighting, the rotation control system has become the focus of the stage once it appear in the market.

The mysterious and elegant style and the dazzling effect are why many customers were attracted by it. The rotating 3D led tube can emit light and rotate 360 degrees, the angle can be adjusted arbitrarily, the signal is stable, and it can be widely used in events like stages, exhibition halls, clubs and other venues.

### 旋转控制系统 Rotation control system

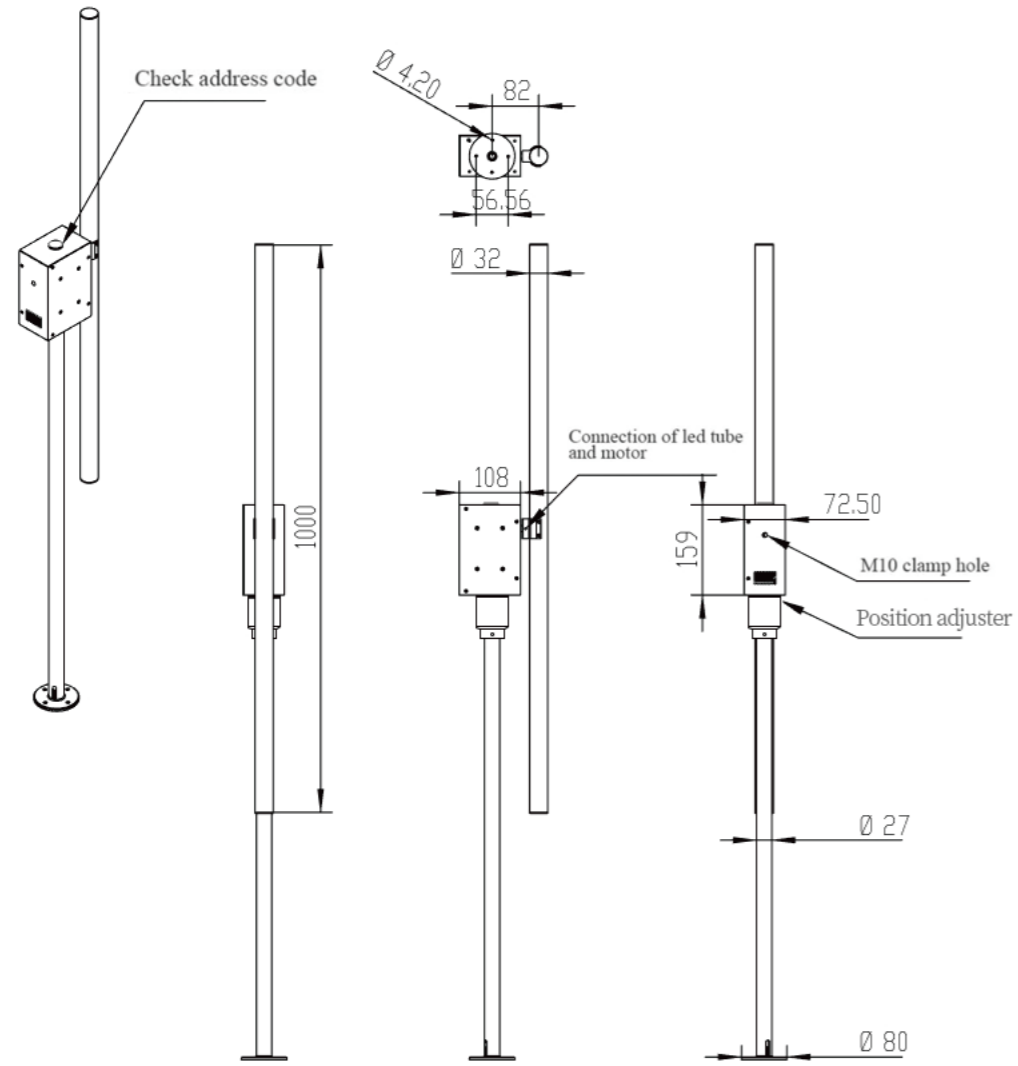
Rotating 360 Degree LED Tube	
产品型号 (Product model) CL-MT02	输入信号 (Input signal) DMX512 Signal
工作电压 (Working voltage) DC24V	机身尺寸 (Dimensions) 160*110*72 MM
最大功率 (Max power) 35/40/45W	控制模式 (Control mode) DMX512
级联台数 (Cascade number) 6/5/4PCS	防水等级 (Waterproof rating) IP64
彩云管长度 (360 Degree Tube size) 1000/1210/1460×D32MM	



### DMX 通道 DMX Channel

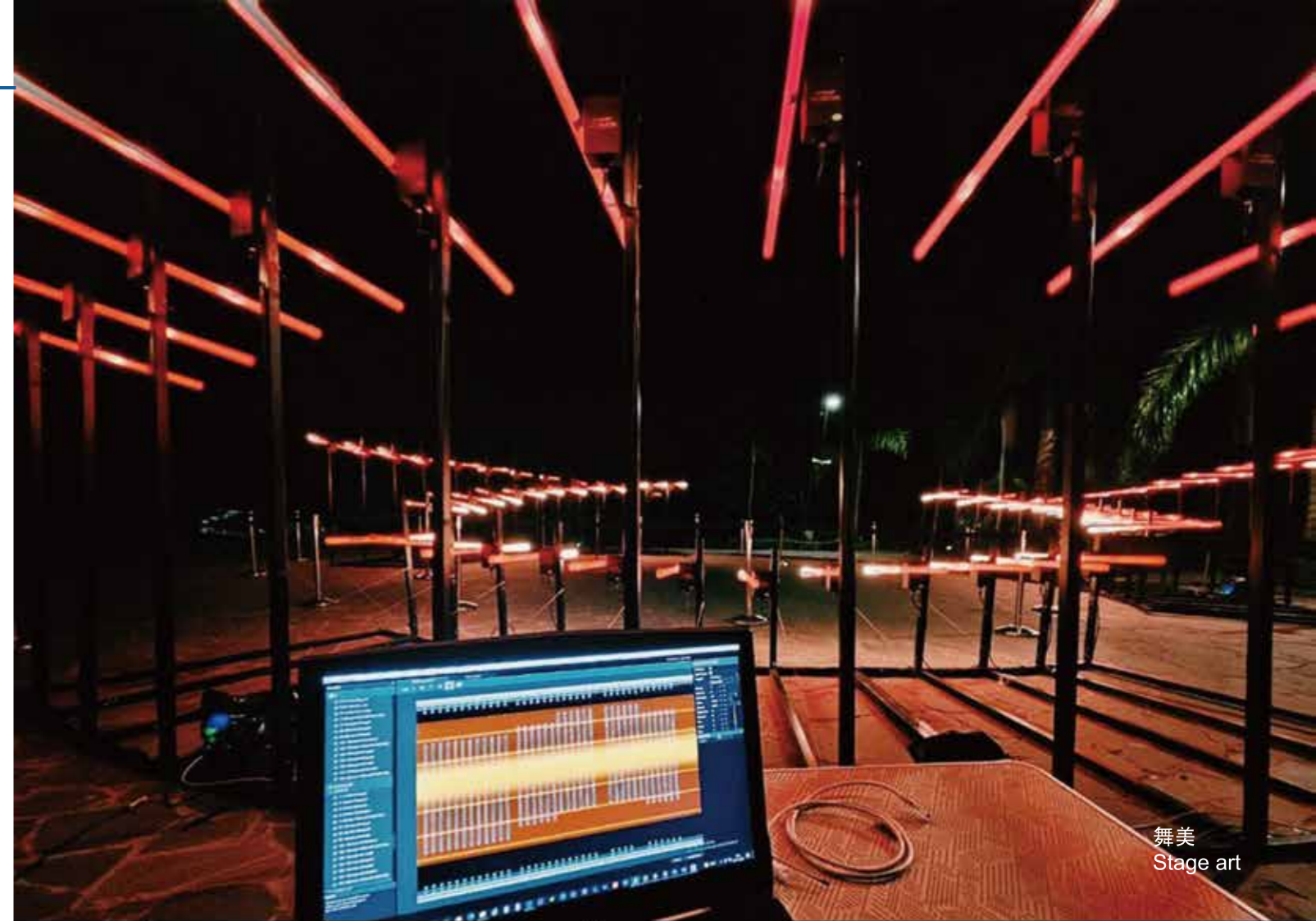
DMX通道 (DMX Channel)	DMX 通道说明 (DMX Channel description)
Ch1:控制角度 Control angle	控制旋转的角度：值0-255对应0-360° Control the angle of rotation: the value 0-255 corresponds to 0-360°
Ch2:速度 Speed	调整角度变化的速度 Adjust the speed of the angle change
Ch3:内置模式选择 Built-in mode selection	值0-15无效，值16-255，内置动作模式，每16个值一个模式，优先级高于通道1 Value 0-15 is invalid, value 16-255, built-in action mode, one mode per 16 values, priority is higher than channel 1
Ch4:正反转+速度 Forward and reverse + speed	通道3有效情况下使用，值0-126逆时针转动，值127-128保持当下角度，值129-255顺时针转动 It is available when channel 3 is valid, the value 0-126 rotates counterclockwise, the value 127-128 maintains the current angle, and the value 129-255 rotates clockwise
Ch5:灯光频闪 Stroboscopic lighting	值0-15无效；值16-31全白；值32-255频闪，数值越大频闪速度越快，优先等级高于灯光数据 The value 0-15 is invalid; Value 16-31 all white; The value 32-255 is Stroboscopic. The higher the value, the faster the strobe speed. The priority is higher than the light data
Ch6:复位 Restoration	值0-254无效，值255复位一次，等待通道释放，最高优先级 The value 0-254 is invalid, the value 255 is reset once, waiting for the channel to be released, the highest priority

旋转彩云管尺寸  
Rotation 360 degree tube size



旋转彩云管尺寸表  
Table of size for rotation 360 degree tube size

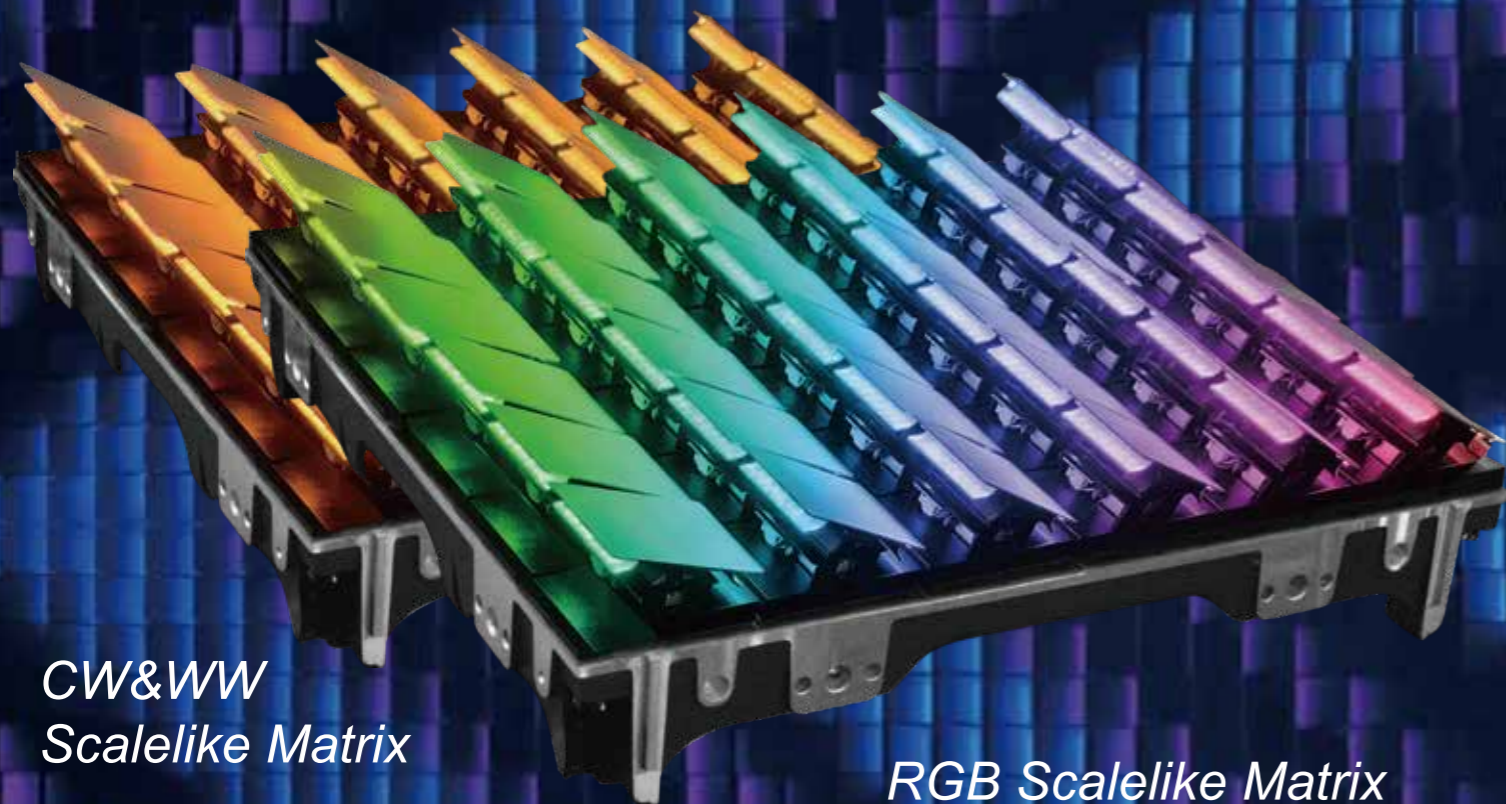
彩云管长度 3D LED Tube Length	1000MM	1210MM	1460MM
彩云管像素点数 3D LED Tube Pixel Quantity	24PCS	30PCS	36PCS
立柱长度 Length of stand	700MM	800MM	900MM



# 云鳞片 Scalelike Matrix

云鳞片采用DMX信号控制,可级联多台使用;60°浮动角度,速度跟随变化曲率变化;两侧安装RGB彩色灯珠;不锈钢拉丝工艺,不易沾灰,不易留指印,方便清洁;采用箱体拼接安装,简单方便。主要适用于艺术创作、商场、展览和夜游等场景,以独特的效果增添魅力与氛围。

The RGB Scalelike Matrix is DMX controlled, which can be cascaded to multiple units; The floating angle is 60°, and the speed changes according to the changing curvature; RGB LED lights are installed on both sides; The stainless steel wire drawing process is not easy to stain dust, not easy to leave fingerprints, and easy to clean; the cabinet installation method is adopted, and the installation is simple and convenient. It is mainly suitable for scenes such as artistic creation, shopping malls, exhibitions and night tour, adding charm and atmosphere with unique lighting effects.



CW&WW  
Scalelike Matrix

RGB Scalelike Matrix

## 云鳞片 Scalelike Matrix

Scalelike Matrix	
产品型号 (Product model) CL-MT03	工作电压 (Working voltage) DC24V
最大功率 (Max power) 180W	通道顺序 (Channel) RGB
箱体尺寸 (Cabinet size) 500*500*120MM	箱体重量 (Cabinet weight) 11KG
级联台数 (Cascade Number) 255PCS	控制模式 (Control mode) ArtNet4/DMX/sACN



## DMX 通道 DMX Channel

DMX通道 (DMX Channel)	DMX通道说明 (DMX Channel description)
通道1:红色 Ch1:R	表示效果中的红色, 000为原效果, 255表示显示效果中所有红色 Represents the red color in the effect, 000 represents the original effect, and 255 represents all red colors in the display effect
通道2:绿色 Ch2:G	表示效果中的绿色, 000为原效果, 255表示显示效果中所有绿色 Represents the green color in the effect, 000 represents the original effect, and 255 represents all green colors in the display effect
通道3:蓝色 Ch3:B	表示效果中的蓝色, 000为原效果, 255表示显示效果中所有蓝色 Represents the blue color in the effect, 000 represents the original effect, and 255 represents all blue colors in the display effect
通道4:控制角度和速度 Ch4:Control angle and speed	控制角度: 0-255值平均分配60° 旋转角度; 控制速度: 速度跟随0-255值的变化速率而变化; Control angle: 0-255 value is evenly distributed 60°rotation angle; Control speed: the speed changes with the change rate of the 0-255 value;

\*双色云鳞片通道3为悬空\*

\*CW&WW Scalelike matrix channel 3 is normally close\*

箱体安装  
Cabinet Installation

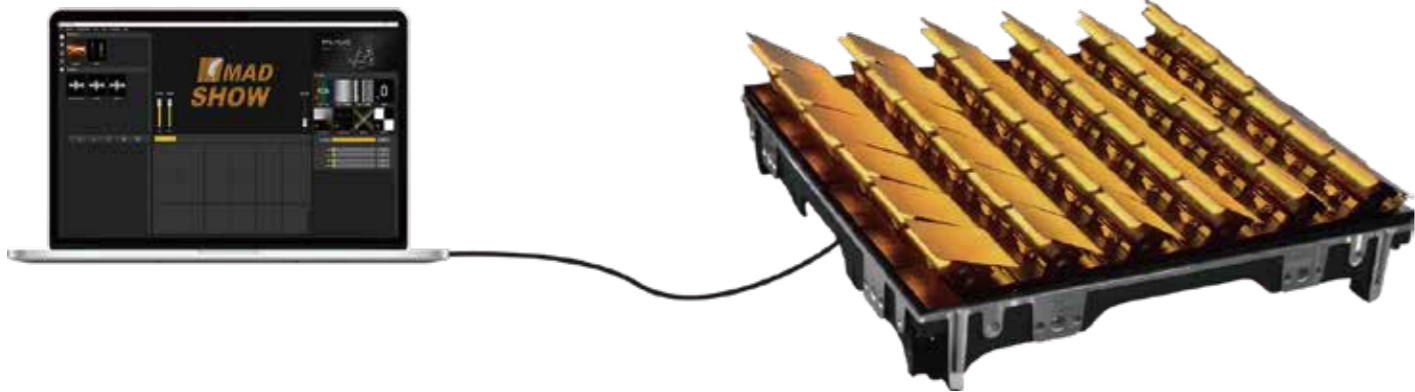


根据锁扣提示方向，转动锁扣固定箱体；  
Press the green unlock switch to open the lock;



按压绿色解锁开关，锁扣打开；  
Turn the lock to fix the cabinet according to the direction indicated by the lock;

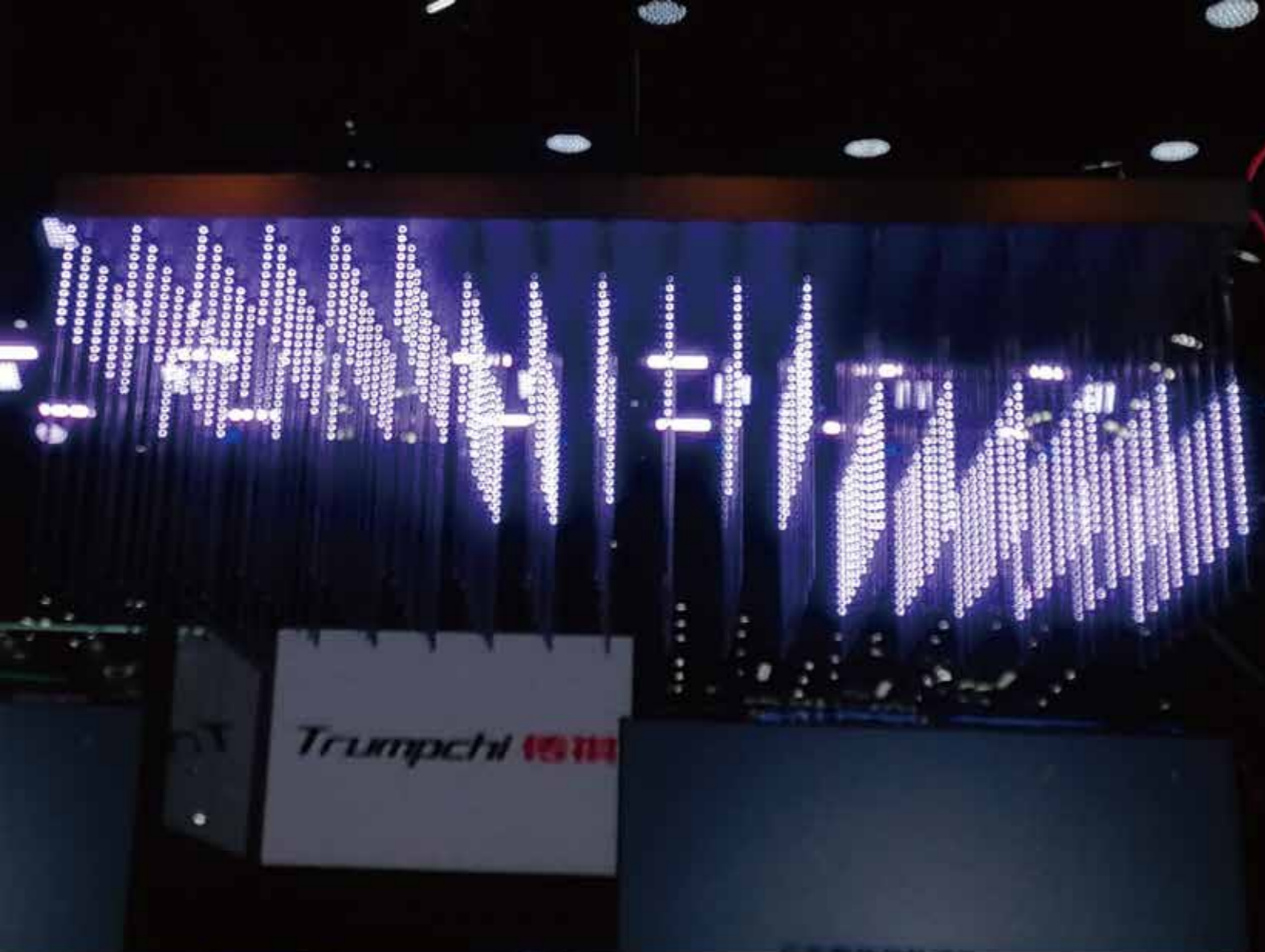
ARTNET 软件连接浮动云鳞片  
Connect The Scalelike Matrix With Controller



双色云鳞片  
CW&WW Scalelike Matrix



RGB云鳞片  
RGB Scalelike Matrix



# LED 流星管

## LED Meteor tube

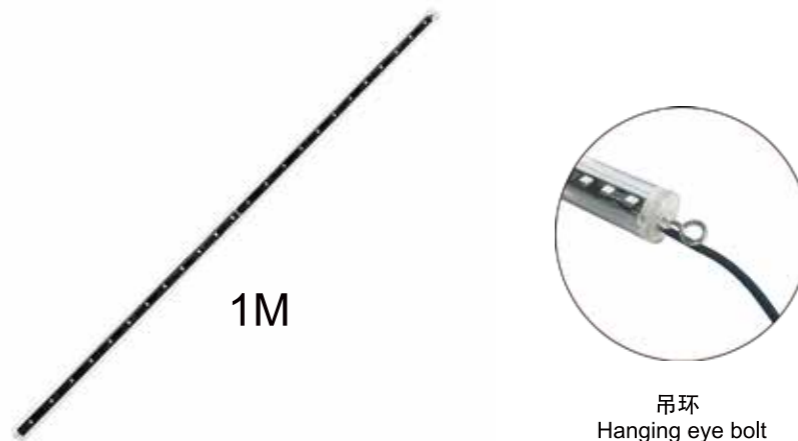
LED流星管，采用低压直流供电，长寿命贴片LED为发光源，两灯一控，360°发光，65536级灰度，亮度更高；同时T形防水头对插设计，轻松应对户外复杂情况；可广泛应用于舞台氛围烘托、公园夜景装饰、天文馆和科技馆效果点缀。

The 3D LED meteor tube is with low-voltage DC power supply, long-life SMD LED as the light source, two leds are controlled by one pixel, 360° beam angle, 65536 gray levels, higher brightness; The waterproof T-shaped cable is with plug and play design, which can easily cope with the complicated outdoor situation; It is widely used in stage, club, fashion show, wedding, party, planetarium and science and technology exhibition hall etc.

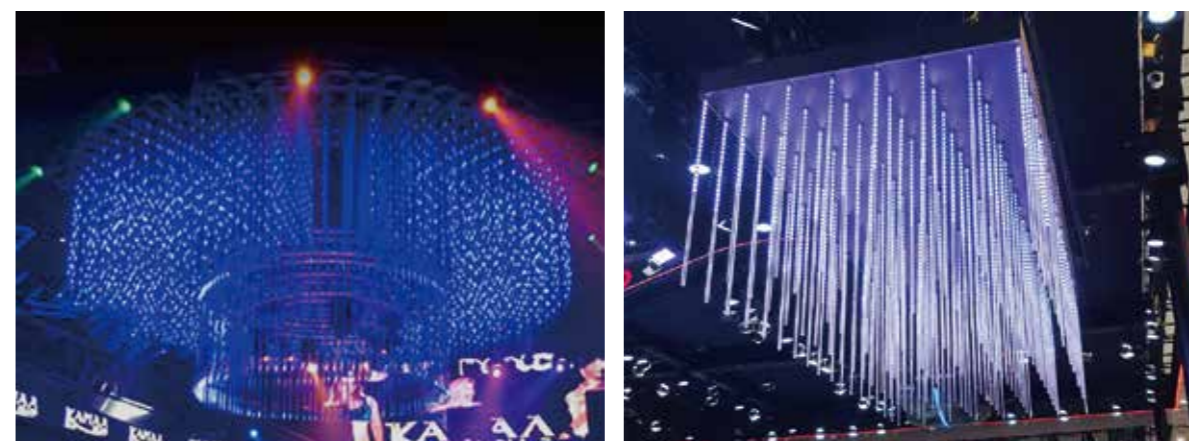
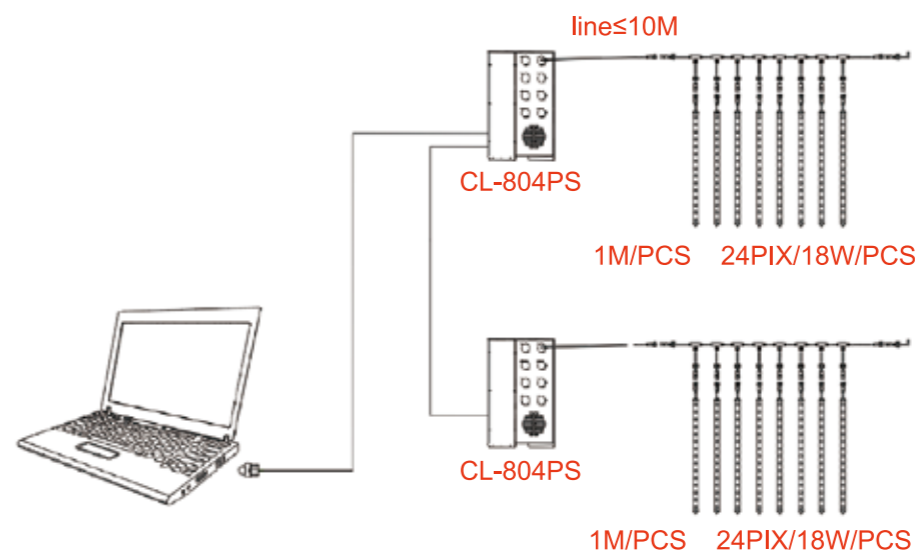


### LED Meteor Tube

产品型号(Product model)	CL-D25mm-1m	LED 规格 (LED specifications)	5050RGB
工作电压 (Working voltage)	24V	像素点数 (Pixel)	24PCS
功率 (Power)	18W	产品重量 (Product weight)	0.475KG
灰度等级 (Gray level)	16BIT	防水等级 (Waterproof rating)	IP65
LED数量 (LED quantity)	48PCS	通道顺序 (Channel)	RGB



内置电源控制器使用示意图  
Schematic diagram of the controller with built-in power supply



# 像素环 LED Pixel Ring

LED像素环采用ART-NET和DMX双信号输出模式，可以多台网线级联，接线简单方便，两侧穿孔可穿线悬挂，搭建造型简单；乳白、透明两款面罩，10寸、15寸两个尺寸可供选择；低压直流供电可实现全彩颜色变幻，广泛用于各种装饰和城市夜景等领域。

The LED pixel ring supports ART-NET and DMX dual signal output mode, and multiple network cables can be cascaded, and the wiring is simple. Both two ends can be threaded and hung, and it is simple to build some setups; milky diffuser and transparent diffuser, 10 inches and 15 inches are available for selection. Low-voltage DC power supply can realize full-color color change, and is widely used in various decoration and urban night scenes.

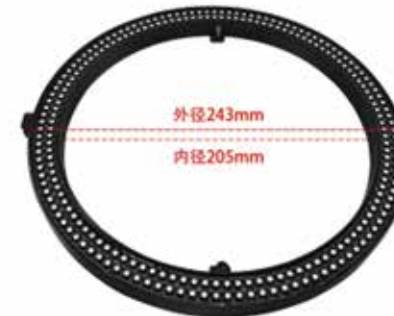


## LED Pixel Ring(10寸)

产品型号 (Product model)	CL-RD250-1	LED 规格 (LED specifications)	3535RGB
工作电压 (Working voltage)	DC24V	像素点数 (Pixel)	60PCS
功率 (Power)	35W	产品重量 (Product weight)	0.76KG
控制模式 (Control mode)	ArtNet4/DMX/sACN	输入信号 (Input signal)	DMX512
LED数量 (LED quantity)	240PCS	产品尺寸 (Product size)	243MM

多个级联，操作简单；搭建造型，使用方便

Multiple cascades, easy to operate; to build a model, easy to use



10寸像素环



15寸像素环

## 圆环连接示意图

Ring mode connection diagram



ART-NET模式/ART-NET Mode



DMX 模式/DMX Mode

## 15寸像素环参数

产品型号 (Product model) CL-RD381-1  
工作电压 (Working voltage) DC 24V  
LED规格 (LED specifications) 5050RGB  
LED数量 (LED quantity) 240PCS  
功率 (Power) 46W  
控制模式 (Control mode) ART-NET/DMX  
像素点数 (Pixel) 60PCS  
产品重量 (Product weight) 0.87KG

可直接通过数据接口连接控制器ART-NET模式控制圆环或者通过控制器调用DMX模式进行工作

It can be directly connected to the controller through the data interface, ring light controlled with Art-net mode or use controller to choose DMX mode for play.

\* 需搭配404R控制器的圆环模式实现控制  
Control by the Ring Mode of the 404R controller.



2020广东电视台  
2020 Guangdong TV Station

# LED 霓虹灯带

## LED Neon Strip Light

LED幻彩灯带、霓虹灯带相较于传统霓虹灯，柔韧性佳、外观简约时尚，精美独特；独特的光学结构设计，外观简约时尚，发光均匀；霓虹套管采用环保级硅胶材料，高透光率，IP65防护等级；抗腐蚀、抗阻燃，市场反应良好。

Compared with the non-digital neon lights, the LED digital led strip and digital neon lights are more flexible, simple and stylish in appearance, beautiful and unique; Unique optical structure design, simple and fashionable appearance, uniform light emission; The neon casing adopts environmentally-friendly silicone material, with high light transmittance, and could be IP65 waterproof; Anti-corrosion, anti-flame retardant, and good market feedback.



5050RGB-5V-30LED

5050RGB-5V-60LED

5050RGB-5V-144LED

5050RGB-12V-30LED

5050RGB-12V-60LED

5050RGB-12V-60LED Neon Strip

5050RGB-24V-60LED

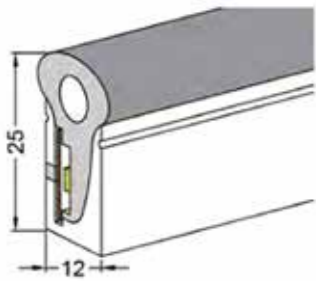
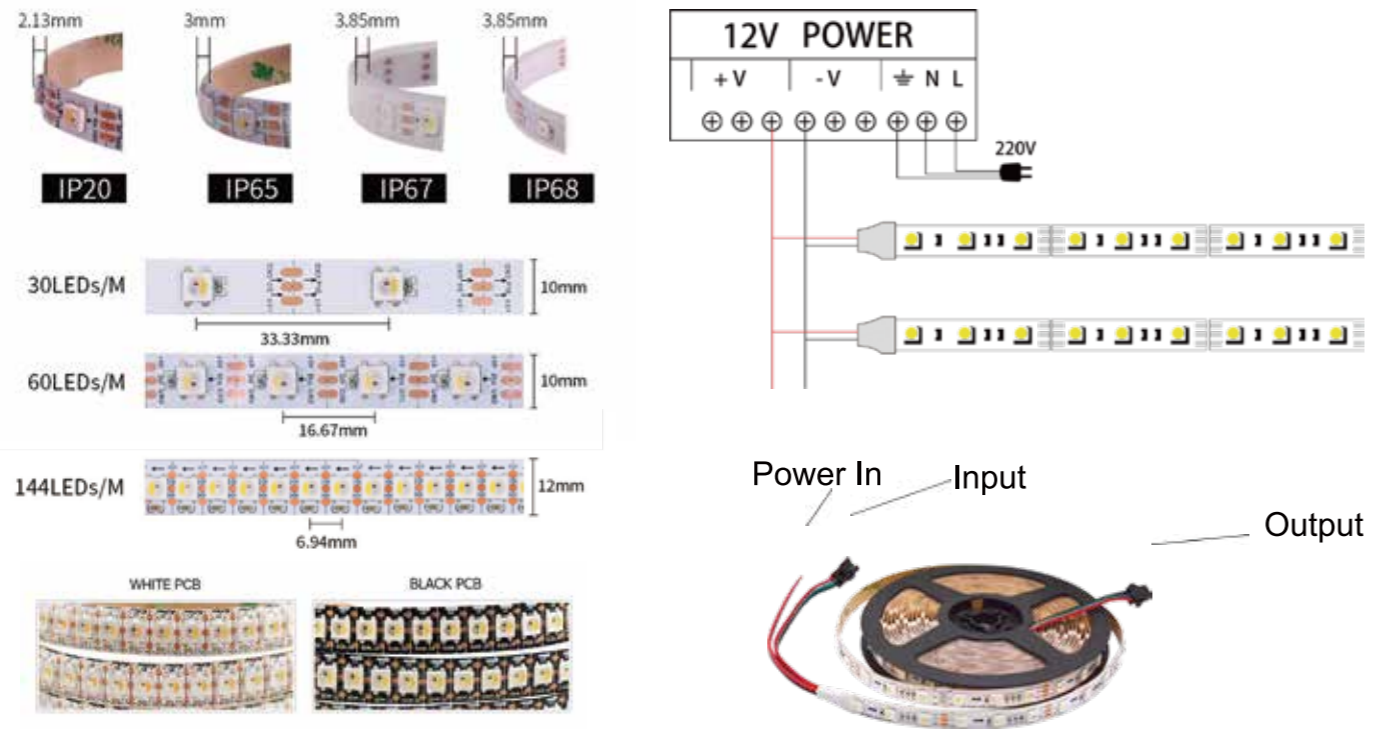
可编程，实现跑马/流水/渐变等任意效果，5M1卷可定制  
Programmable, to achieve any effect such as horse racing/flowing/gradual change, 5meter per roll, and can be customized

灯带参数列表  
Light strips parameter list

	5V 灯带	12V 灯带	24V 灯带
工作电压 Working voltage	5V	12V	24V
IC型号 IC type	SK6812	WS2811	UCS1903
LED规格 LED specifications	5050RGB	5050RGB	5050RGB
LED数量 LED quantity	30/60/144Pcs	30/60Pcs	60Pcs
像素点 Pixel	30/60/144Pixel	10/20Pixel	10Pixel
控制方式 control mode	一灯一控 Single led per single pixel control	三灯一控 Three leds controlled by one pixel	六灯一控 Six leds controlled by one pixel
防水等级 Waterproof rating	IP20/65	IP20/65	IP20/65

灯带可定制  
Light strips can be customized





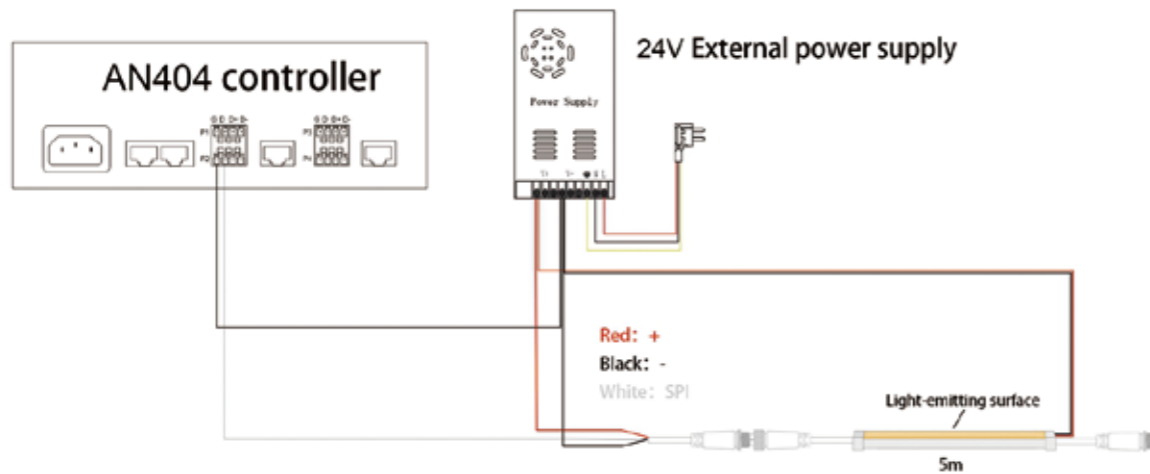
霓虹管尺寸  
Neon tube size

霓虹套管采用环保级硅胶材料，高透光率，360° 发光无阴影；IP65防护等级，抗腐蚀、抗阻燃，无惧恶劣极端天气；适用于各种装饰和城市夜景等领域。

The neon casing is made of environmentally-friendly silicone material, with high light transmittance, 360° luminescence without dark area; IP65 waterproof level, Anti-corrosion, anti-flame retardant, no fear of extreme weather; suitable for various decoration and urban night scenes.

外置电源控制器使用示意图

Schematic diagram of the controller with built-out power supply



# LED控制器 LED Controller

LED控制器是灯光控制的核心所在，潜心研制的4款控制器经过与市场的磨合，各具特色；电源与控制卡集成化，使用安装方便；输出支持SPI和DMX信号，支持RDM（远程设备管理）；匹配市场主流软件（MADRIX、MAD-MAPPER），以及自主开发的MAD-SHOW；可多台网线级联，可结合MA灯光控台使用，结合我司配套灯条使用，安装更加方便；广泛应用于舞台灯光、酒吧等场所。

The LED controller is the key of the lighting control. Our engineer team is devoted to develop 4 kinds of Artnet controllers based on clients' feedback and market's need. The power supply and the control card are integrated inside the controller. It is easy to use and install; output supports SPI and DMX signals, supports RDM (remote device management); matches the mainstream software in the market (MADRIX, RESOLUME, MAD-MAPPER), And self-developed MAD-SHOW; multiple network cables can be cascaded, can work with the MA lighting console, combined with the light tube and its installation is easy; It is widely used in stage, clubs and other events.



104PS Controller

## CL-104PS Controller

工作电压 (Working voltage) AC110~220V 输出电压 (Output voltage) DC12V/24V 功率 (Power) 200W

配套软件 (Supporting software) MAD-SHOW/MADRIX/MADMAPPER/GRAND MA

控制IC型号 (Control IC model) WS2811/SK6812/UCS1903/UCS8903/UCS9812/DMX512

控制模式 (Control mode) ArtNet4/DMX/sACN 输出端口 (Output port) 1PORT

最大带载点数 (MAX Pixel) 1\*680PIXEL 级联台数 (Cascade number) 254 PCS



AN404 Controller



## CL-AN404 Controller

工作电压 (Working voltage) AC110~220V

输出端口 (Output port) 4PORT

配套软件 (Supporting software) MAD-SHOW/MADRIX/MADMAPPER/GRAND MA

控制IC型号 (Control IC model) WS2811/SK6812/UCS1903/UCS8903/UCS9812/DMX512

控制模式 (Control mode) ArtNet4/DMX/sACN

级联台数 (Cascade number) 254PCS

最大带载点数 (MAX Pixel) 4\*680PIXEL

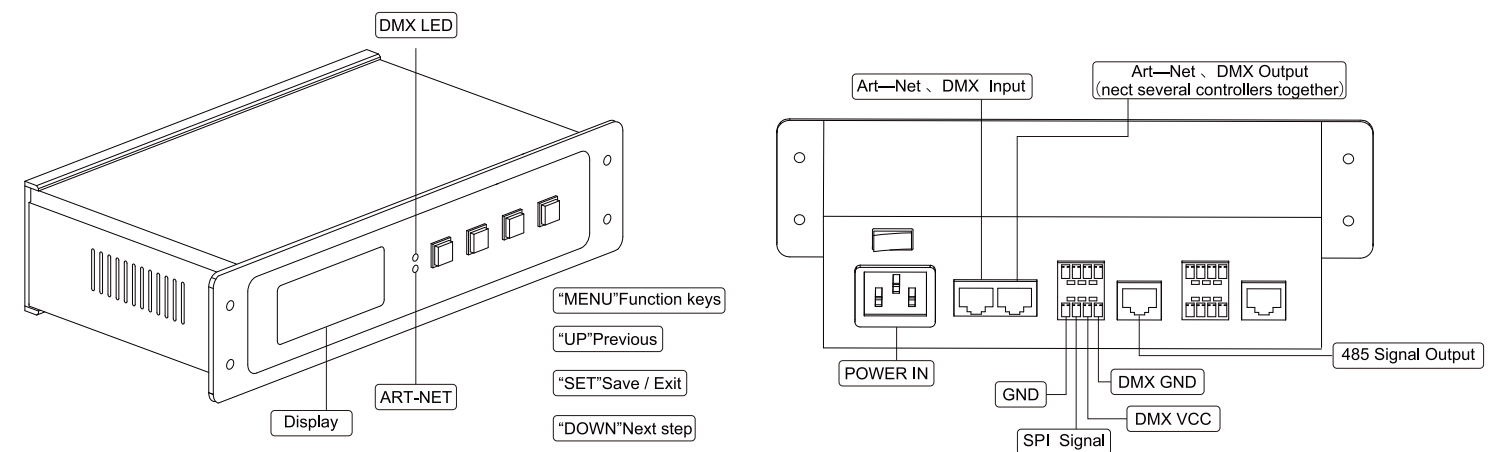
产品重量 (Product weight) 0.6KG

AN404需外接电源，给灯具供电

AN404 needs an external power supply to supply power to the led lights

## AN404控制器功能示意图

AN404 Controller function diagram





404R Controller

CL-404R控制器为四端口控制器，内置电源，支持SPI和DMX信号；独有的圆环模式可搭配像素环使用，创造别具一格的灯光效果

The four-port CL-404R controller is with built-in power supply and supports SPI and DMX signals; The unique ring mode is used to contro the pixel ring. Create unique lighting effects

CL-404R Controller

工作电压 (Working voltage) AC110~220V 输出电压 (Output voltage) DC12V/24V 功率 (Power) 1000W

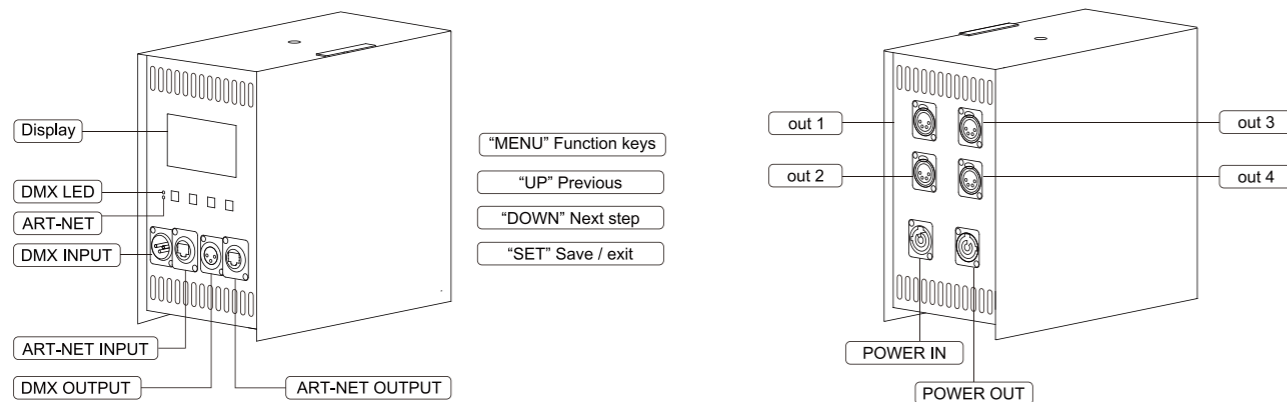
配套软件 (Supporting software) MAD-SHOW/MADRIX/MADMAPPER/GRAND MA

控制IC型号 (Control IC model) WS2811/SK6812/UCS1903/UCS8903/UCS9812/DMX512

控制模式 (Control mode) ArtNet4/DMX/sACN 输出端口 (Output port) 4PORT

最大带载点数 (MAX Pixel) 4\*680 PIXEL 级联台数 (Cascade number) 254 PCS

404R控制器功能示意图  
404RController function diagram



CL-804PS Controller

工作电压 (Working voltage) AC110~220V 输出电压 (Output voltage) DC12V/24V 功率 (Power) 1400W

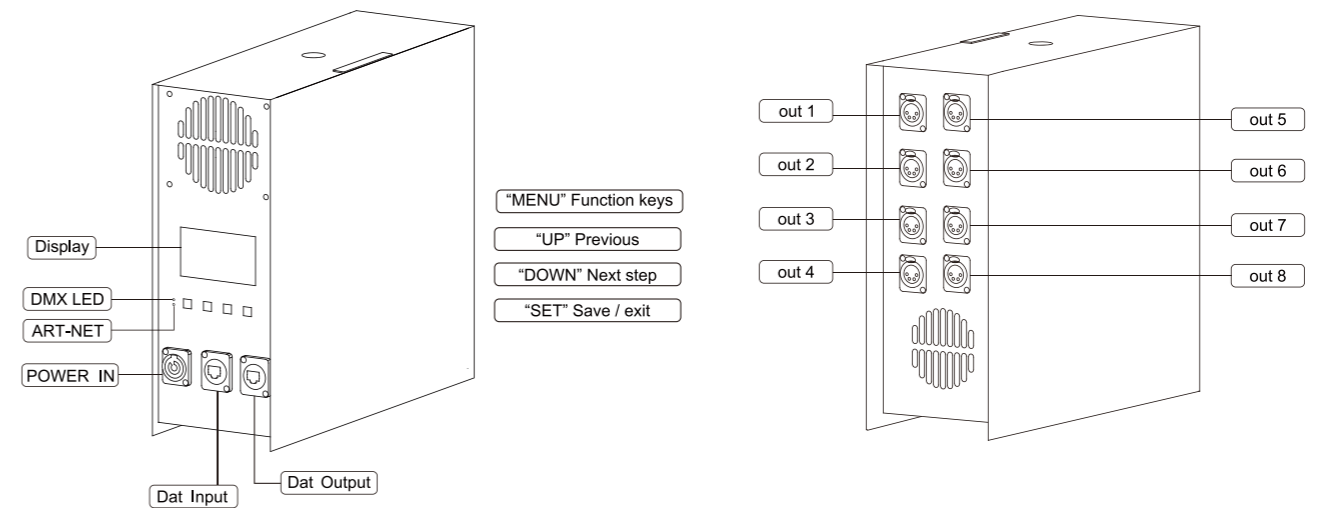
配套软件 (Supporting software) MAD-SHOW/MADRIX/MADMAPPER/GRAND MA

控制IC型号 (Control IC model) WS2811/SK6812/UCS1903/UCS8903/UCS9812/DMX512

控制模式 (Control mode) ArtNet4/DMX/sACN 输出端口 (Output port) 8PORT

最大带载点数 (MAX Pixel) 8\*680 PIXEL 级联台数 (Cascade number) 254PCS

804PS控制器功能示意图  
804PS Controller function diagram



804PS Controller

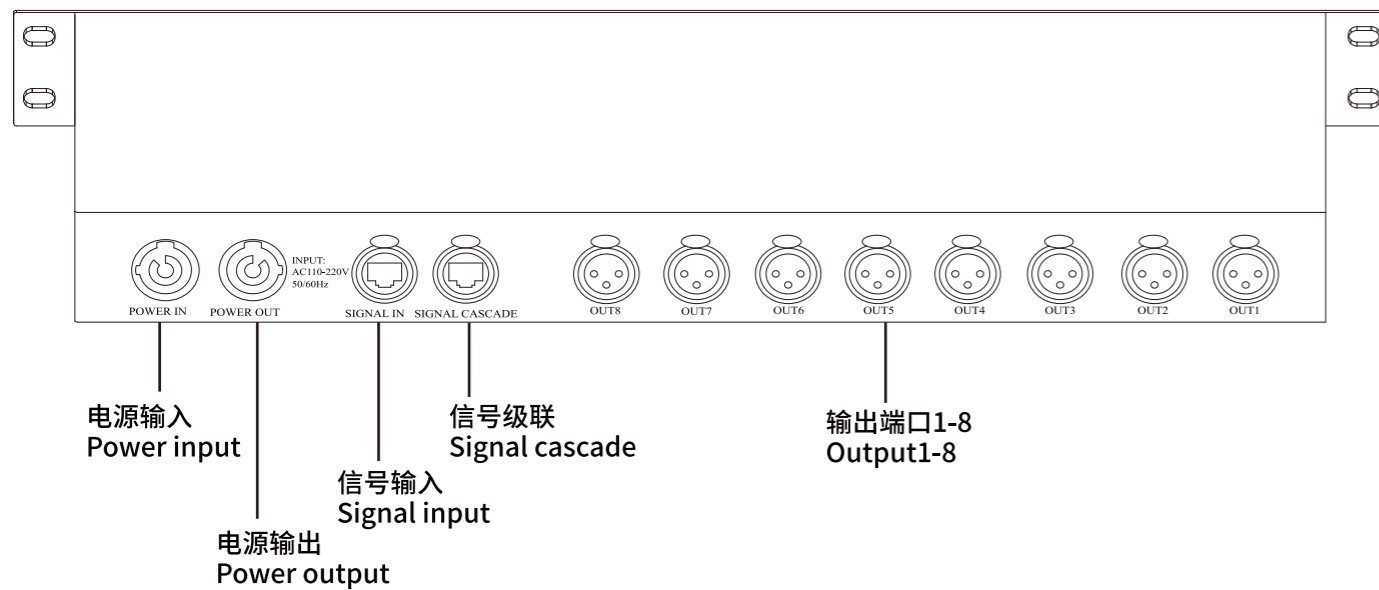
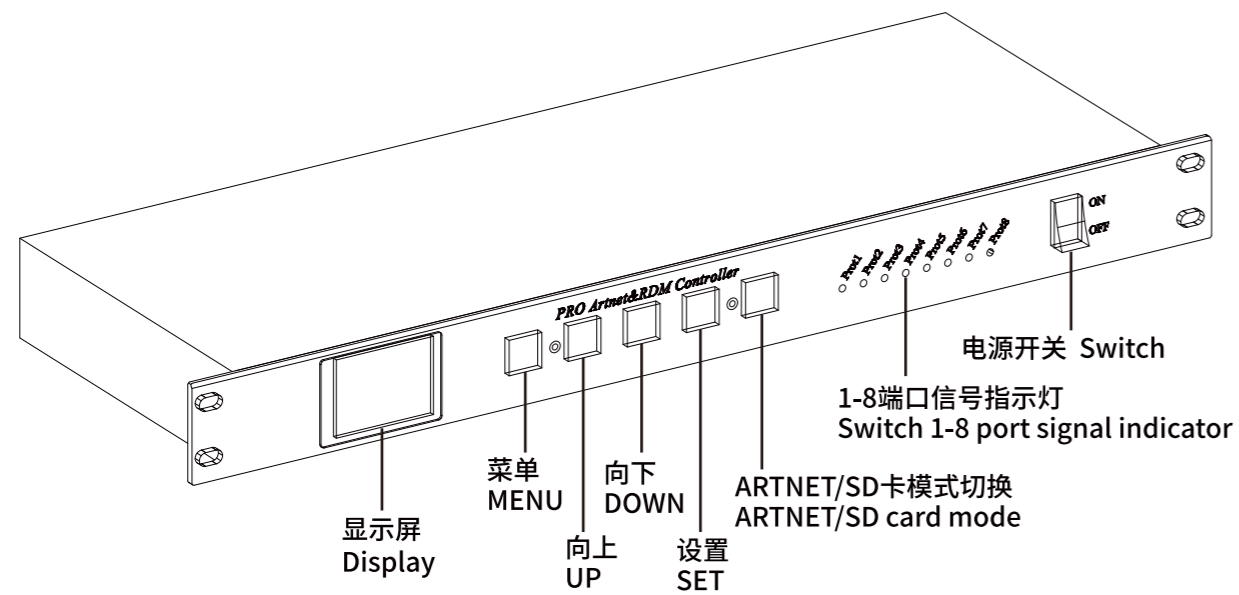
CL-804PS 控制器为8端口控制器，内置电源，支持SPI和DMX信号，支持RDM（远程设备管理）可多台网线级联，接线简单；8个端口可同时工作

The 8-port CL-804PS controller is with a built-in power supply and supports SPI and DMX signals.Support RDM (remote device management), multiple network cables can be cascaded, and the wiring is simple; The 8 ports can work at the same time

CL-AN804 PRO Controller

工作电压 (Working voltage) AC110~220V	输出端口 (Output Port) 8PORT
配套软件 (Supporting software) MAD-SHOW/MADRIX/MADMAPPER/GRAND MA	
控制IC型号 (Control IC model) WS2811/SK6812/UCS1903/UCS8903/UCS9812/DMX512	
控制模式 (Control mode) ArtNet4/DMX/sACN	级联台数 (Cascade number) 254PCS
端口带载点数 (MAX Pixel) 8*680PIXEL	产品重量 (Product weight) 1.8KG

AN804PRO控制器  
AN804PRO Controller



最多支持2048个通道串行控制  
Support multiple serial expansion channels, up to 2048



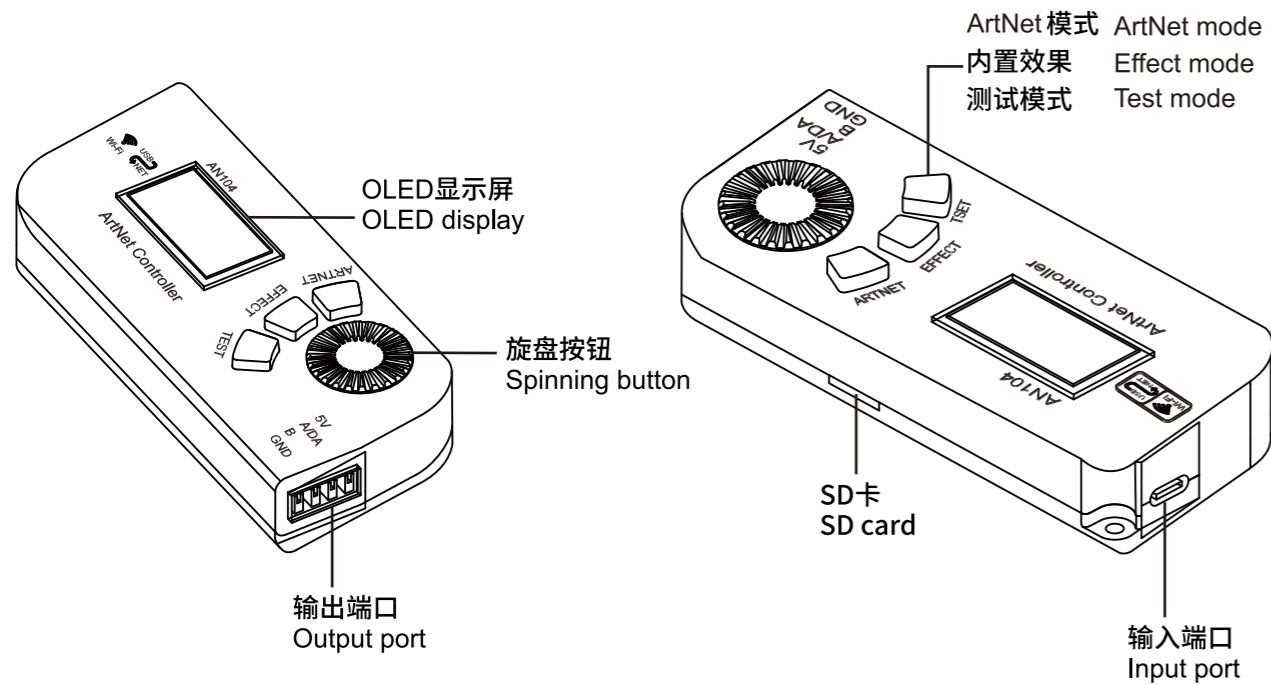
支持SPI+485远程传输, 距离可达200米;  
支持ARTNET、DMX512、RDM协议;  
支持老虎控制台、MA控制台的DMX输出端口;  
所有DMX端口均配备3针Neutrik XLR (可定制5针);  
AN804PRO需外接电源, 给灯具供电;

supports SPI+485 remote transmission with a distance of up to 200 meters;  
Support ArtNet, DMX512, RDM protocol;  
Support expansion of DMX output ports of Tiger Touch, GrandMA and other consoles;  
All DMX ports are equipped with 3-pin Neutrik XLR (can be customized 5-pin);  
AN804PRO needs an external power supply to supply power to the led lights;

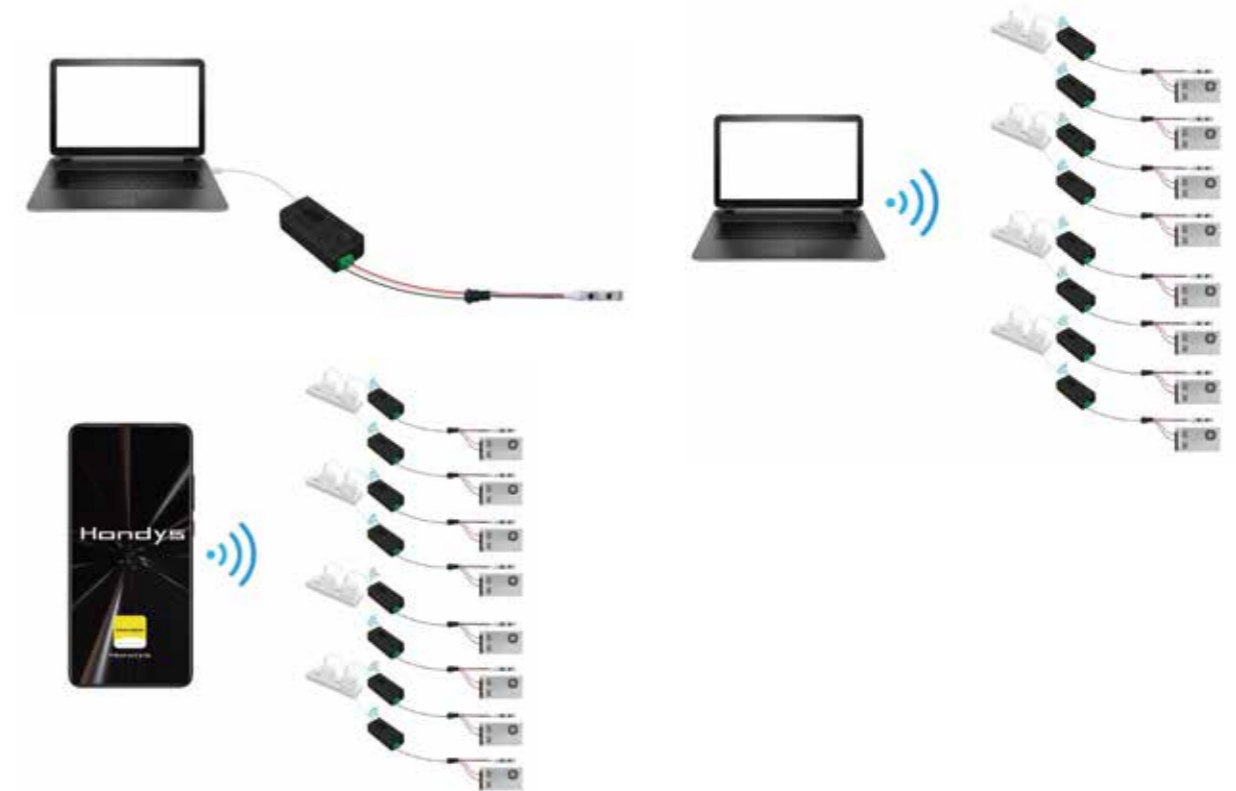
CL-AN104 Controller

工作电压 (Working voltage) 5V	功率 (Power) <1W
重量 (Weight) 0.064KG	连接方式 (Connect method) USB/WiFi
工作模式 (Working mode) ART-NET/SD CARD/TEST	WIFI 传输距离 (WiFi distance) <20M
控制模式 (Control mode) ArtNet4/DMX/sACN	级联台数 (Cascade unit) 254UNITS
输出端口 (Output Port) 1PORT	端口带载点数 (MAX Pixel) 1*680PIXEL

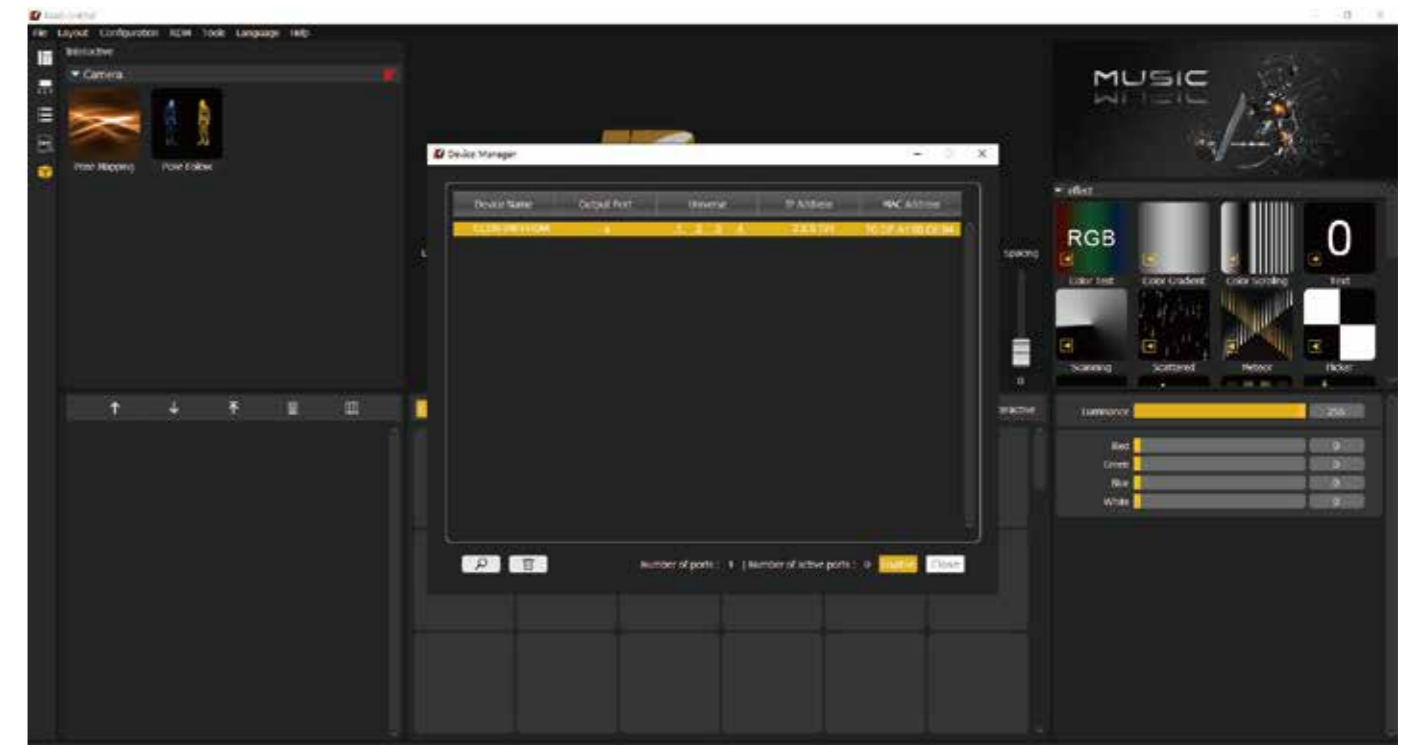
AN104控制器  
AN104 Controller



三种连接方式, USB3.0数据传输, 2.4GWiFi无线连接, APP无线连接  
Three connect method, USB3.0 data transmission, 2.4GWiFi wireless connection, APP wireless connection



支持Mad-show、HondysApp、Madrix、Madmapper等Artnet软件控制  
Support Mad-show、Hondys App、Madrix、Madmapper such Artnet software control



# MAD-SHOW

## 灯光控制系统

### Lighting Control System

MAD-SHOW是我们自主研发的一款功能强大的灯光编程软件。它将灯光特效、音乐和互动完美融合，为您带来绚丽多彩的灯光秀体验。丰富的预设效果让您能够快速实现各种独特的灯光绚丽效果。与音乐律动的完美结合，让您能够随时掌握现场氛围，为观众创造出奇妙的视听盛宴。而加入互动功能更让创作变得更有意思，让您与观众之间建立起更紧密的联系。在布局方面，MAD-SHOW支持导入DXF格式的布局文件。这意味着MAD-SHOW能够准确识别灯具的位置，极大地简化了布局的过程，提供了更高的灵活性和精准性。同时，MAD-SHOW还拥有RDM、特效录制等实用功能，为实际项目的灯光控制提供了便利。不论是舞台演出、展览活动还是建筑照明，MAD-SHOW都能够满足您的需求并带来出色的效果。MAD-SHOW的设计理念是简单易用，用户界面直观友好。无论您是专业灯光师还是初学者，都能够轻松上手，释放您的灯光创意。让MAD-SHOW成为您的得力助手，帮助您打造出令人惊叹的灯光艺术作品。

MAD-SHOW is a powerful lighting programming software developed independently by our team. It seamlessly integrates lighting effects, music, and interactivity to bring you a stunning and colorful light show experience.

With a wide range of preset effects, you can quickly achieve various unique and dazzling lighting effects. The perfect combination of music rhythms and effect presets allows you to capture the atmosphere on the spot and create a marvelous audiovisual feast for the audience.

The addition of interactive features makes the creative process even more enjoyable and helps you establish a closer connection with the audience. In terms of layout, MAD-SHOW supports importing DXF format layout files. This means that MAD-SHOW can accurately recognize the positions of lighting fixtures, greatly simplifying the layout process and providing greater flexibility and precision.

Furthermore, MAD-SHOW offers practical features such as RDM and effect recording, providing convenience for lighting control in real projects. Whether it's stage performances, exhibition events, or architectural lighting, MAD-SHOW can meet your needs and deliver outstanding results. The design philosophy of MAD-SHOW is simplicity and user-friendliness. Its intuitive and friendly user interface makes it easy to use for both professional lighting designers and beginners, allowing you to unleash your creative ideas.

Let MAD-SHOW be your invaluable assistant in creating breathtaking light art masterpieces.



内置多个类型特效预设，快速实现独特的灯光特效；  
With multiple types of preset built-in lighting effects to achieve unique lighting effects quickly;



丰富的属性面板可随时修改特效的形态  
Can modify the form of lighting effects at any time through the rich attribute panel;



互动特效增加项目的互动性与趣味性

Interactive lighting effects increases the interactivity and interest of the project;

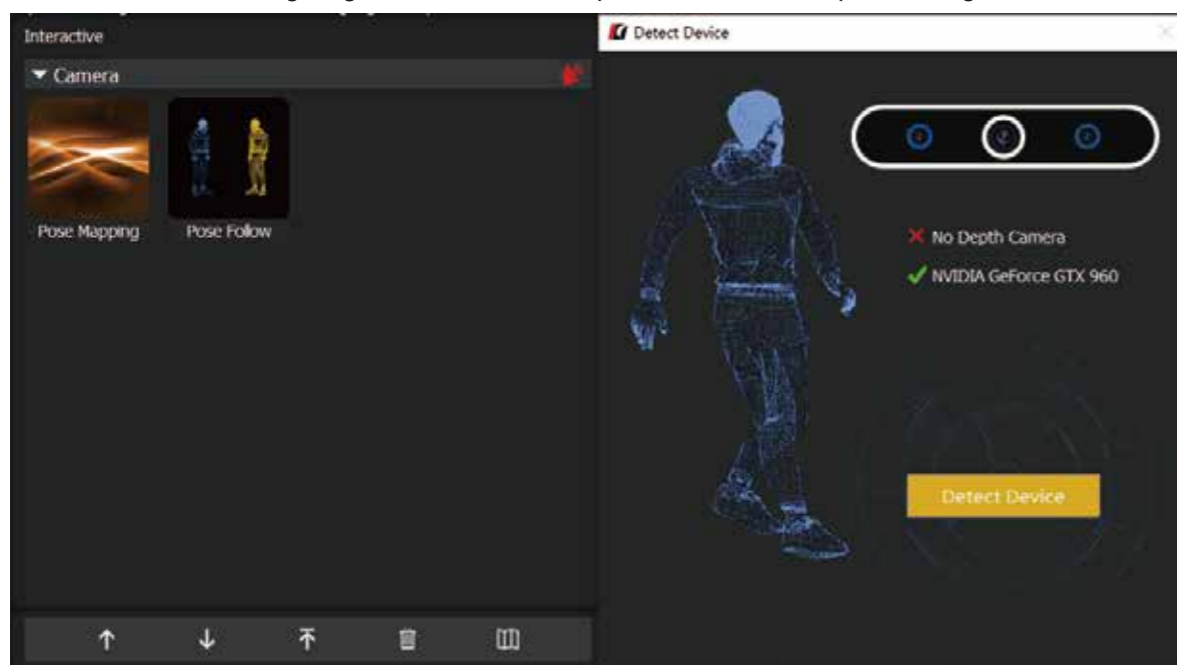


映射  
Pose Mapping

跟随  
Pose Follow

互动特效需要深度相机与电脑配置符合条件后才能运行；

To achieve Interactive lighting effects, need the depth camera and computer configuration meet the specific requirement;



通过深度摄像头捕捉人体信息并反馈给软件，互动效果可以与人体运动同步；

The human body information is captured through the depth camera, and after being fed back to the software, the interactive effect will follow the human body movement;

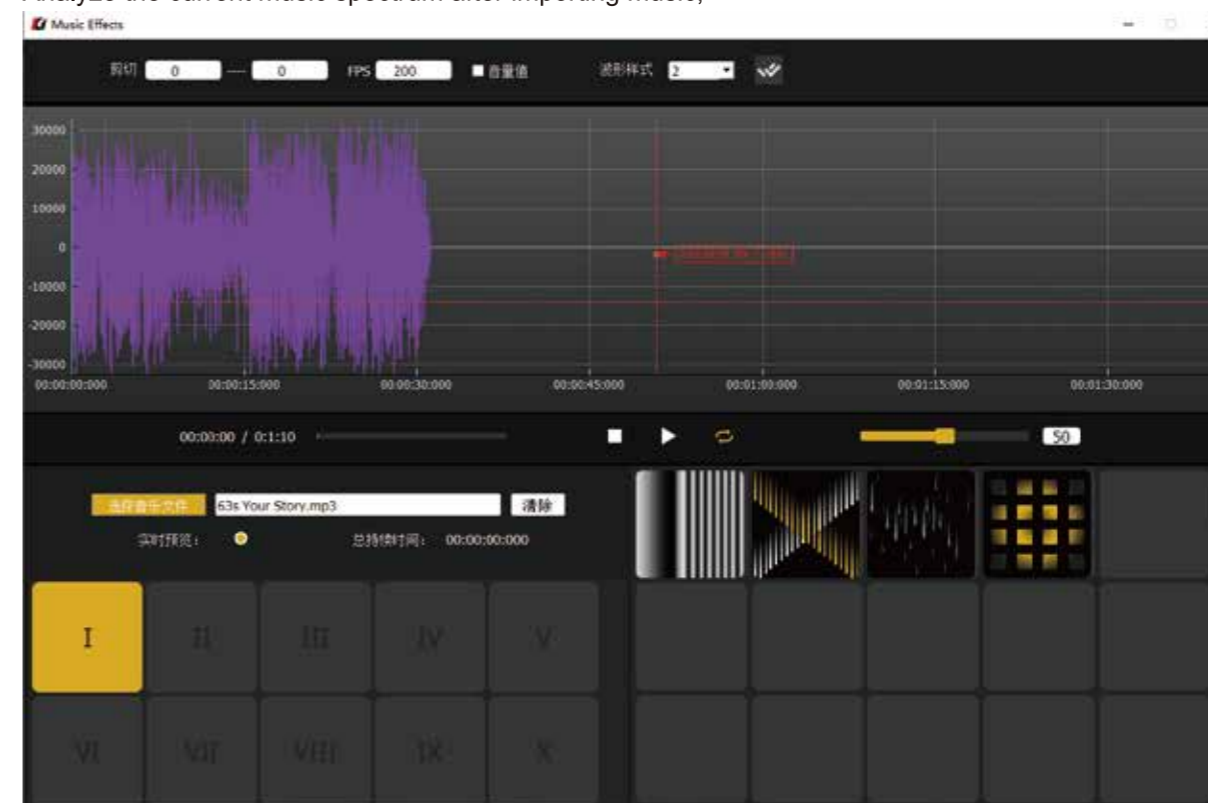


音乐功能

Music Features

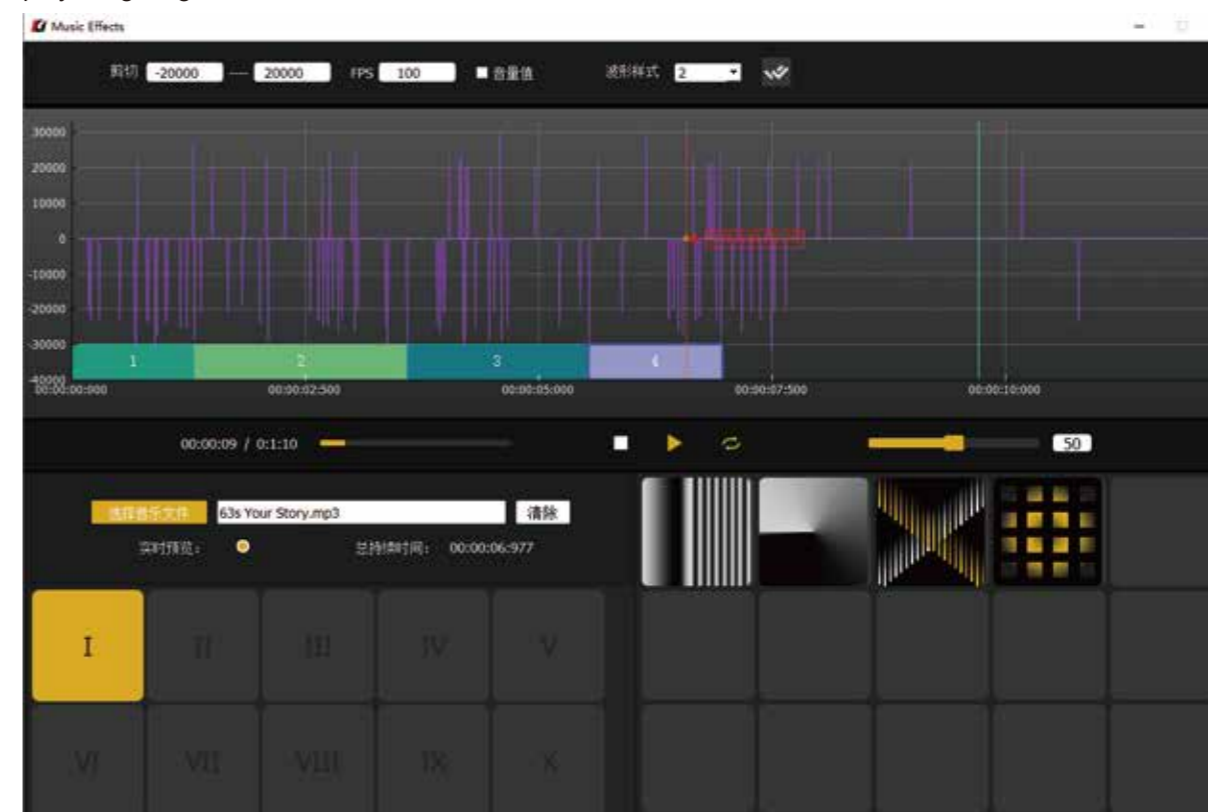
导入音乐后，软件会分析当前的音乐频谱。

Analyze the current music spectrum after importing music;



把效果添加到频谱中，调整效果的持续时间以实现与音乐的同步播放；

Add effects to the frequency spectrum, adjust the duration of lighting effects, and achieve synchronized play of lighting effects and music;



### RDM远程管理系统 Remote Device Management

RDM远程管理系统，此功能主要针对ARTNET控制器进行远距离修改参数，可单独修改一台控制器也可以多台控制器集体控制，大大增加了项目的便利性；  
Remote Device Management this function is mainly used to remotely modify parameters of ARTNET controllers. It can modify one controller individually or collectively control multiple controllers, which greatly increases the convenience of the project;



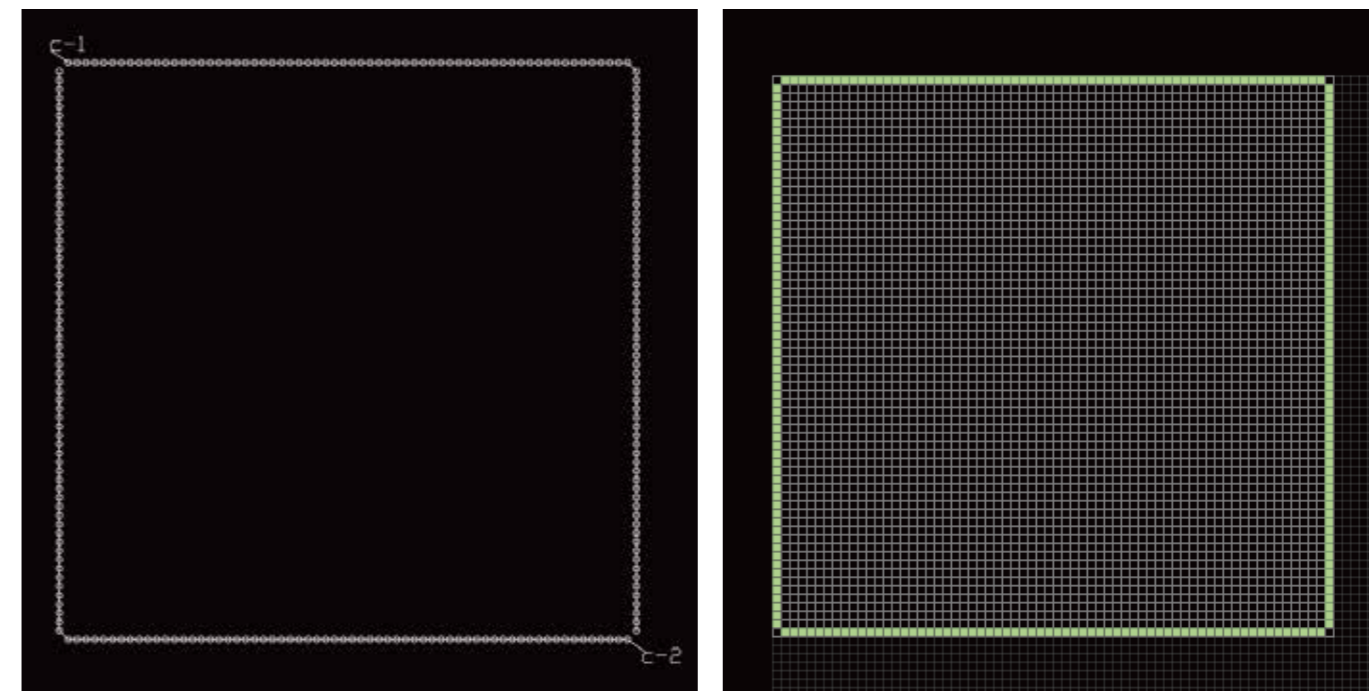
### 效果录制 Effect recording

效果录制功能将录制当前播放的特效并存储于控制器SD卡中，方便脱机使用；  
The effect recording function will record the currently playing lighting effects and store them in the controller's SD card for offline use;



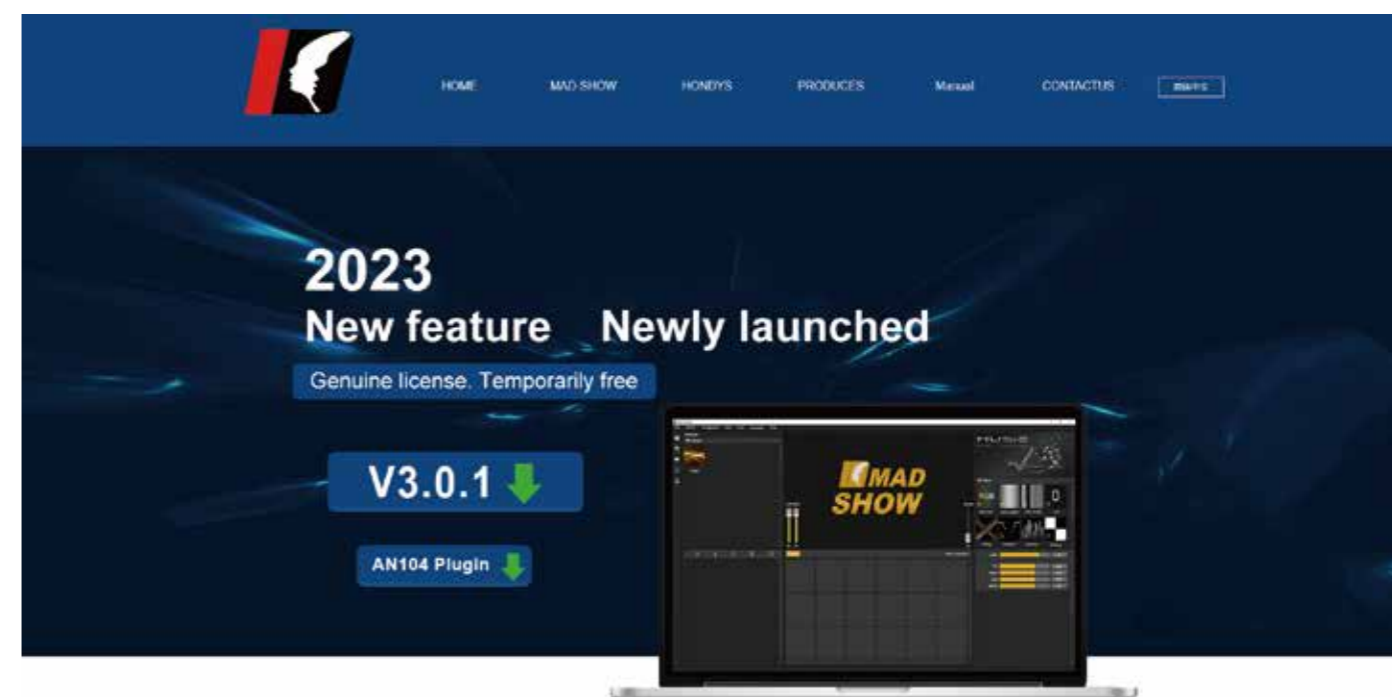
### DXF布局 DXF layout

在传统布局的基础上增加导入DXF文件完成布局，DXF布局可充分保证设计的灵活性，易于修改和优化；  
Importing DXF files to complete the layout base on the traditional layout. DXF layout can fully ensure the flexibility of the design and is easy to modify and optimize;



### 下载软件 Download software

访问<http://www.mad-show.com/cp.html>下载软件；  
Access <http://www.mad-show.com/cp.html> Download software;





视频条配件  
LED Video bar accessory



直连杆  
Linear connector



90° 连接杆  
Multiple 90°L modle connector



120° 连接杆  
Multiple 120°L modle connector



Y形 连接杆  
Multiple Y modle connector



T形 连接杆  
Multiple T modle connector



十字 连接杆  
Multiple + modle connector



六角 连接杆  
Multiple Hexagon connector



D50/D25挂钩  
D50/D25 Mounting for bar

视频条Plus配件  
LED Video bar plus accessory



直连杆  
Linear connector



90° 连接杆  
Multiple 90°L modle connector



T形 连接杆  
Multiple T modle connector



十字 连接杆  
Multiple + modle connector



立体连接杆  
Three-dimensional bar connector



立体连接杆  
Three-dimensional bar connector

线材  
Wire



0.5m 延长线  
0.5m Extension cables



1m 延长线  
1m Extension cables



2m 延长线  
2m Extension cables



3m 延长线  
3m Extension cables



5m 延长线  
5m Extension cables



1米卡侬头延伸电缆  
1m Extension cables,XLR



放大器  
LED Amplifer



SPI 信号放大器  
SPI signal amplifier

彩云管配件  
LED 360 degree tube accessory



吊环  
Hanging rings



彩云管 连接杆  
Screw for 360 tube



三脚架  
Screw for 360 tube



26/18孔球  
Multiple 26/18 holes ball



单T型线  
1 Tcable wire



5T型线  
5 in 1 Tcable wire



钢丝绳  
Wire rope

虹笛管配件  
Hondys tube accessory



销钉  
Straight connectors



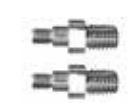
钢丝吊环  
wire rope+Ring



三脚架  
Tripod stand



灯扣  
Light buckle



立体连接杆  
Three-dimensional connecting rod

展会纪实 Exhibition documentary



企业资质 Qualification



合作伙伴 Partner

