



C4ISTAR

4th Rapid Deployment Brigade

BG JIRI LIBAL, 4 RDB COM



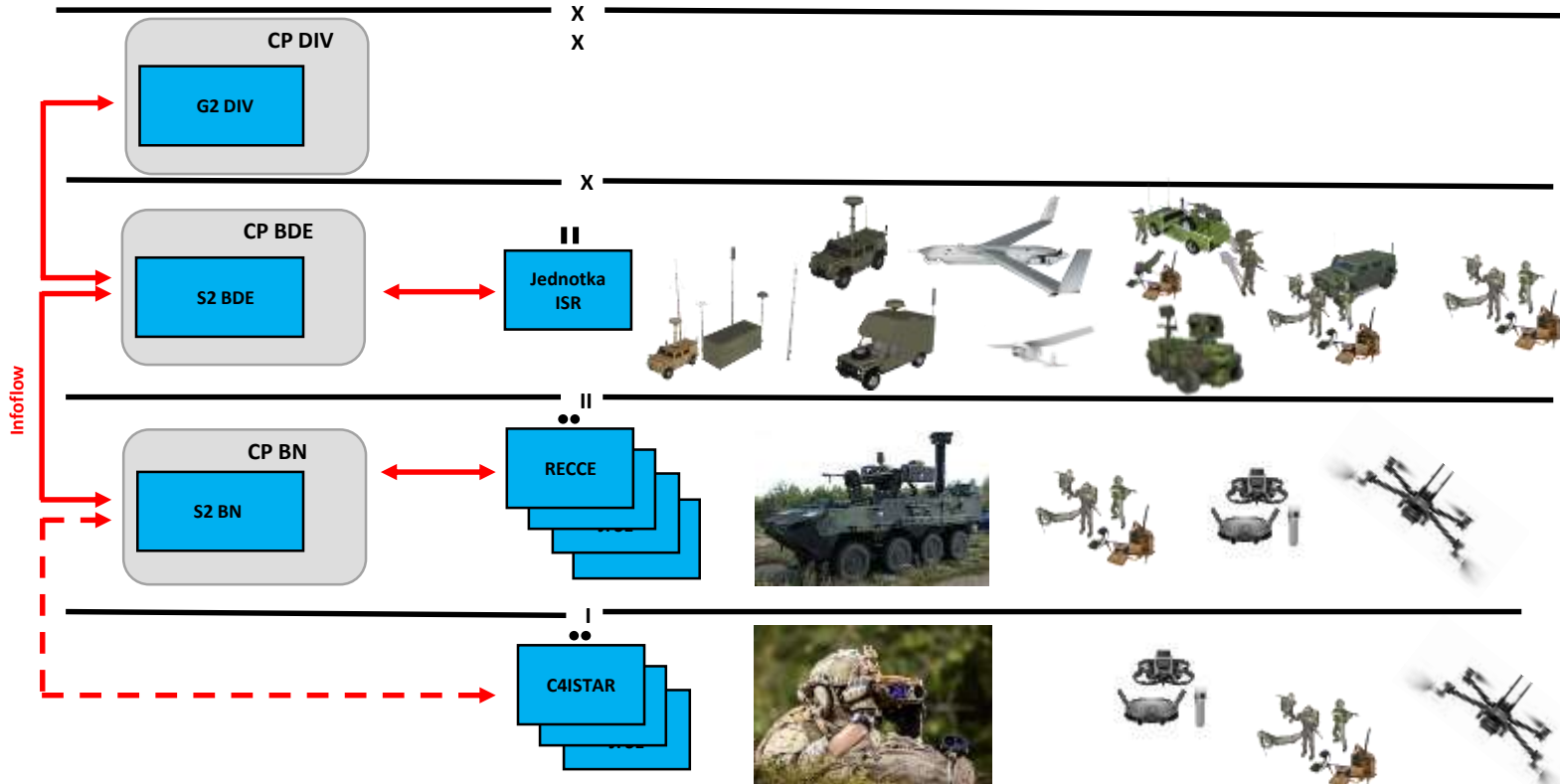


Agenda

- **Possible info flow**
- **Definitions**
- **MBK purpose**
- **Squad to company SSR TA system**
- **SSR TA Kit**
- **C4ISTAR future**



POSSIBLE INTEL INFOFLOW





ISTAR

- ISTAR concept is understood as an intelligence, surveillance, target acquisition and reconnaissance process that integrates systems and sensors for surveillance, reconnaissance, and target acquisition to guide maneuver and offensive strike assets.
- It includes collection and processing of information and intelligence to provide situational awareness to commanders and staffs and to direct operations and support the targeting process.



C4ISTAR

- The C4ISTAR system is understood as a multi-tiered architecture for the command, control, communication, computer and information system of intelligence, surveillance, reconnaissance and target acquisition.
- Following the projects implemented in the Czech Armed Forces (CAF) to achieve C4ISTAR capabilities, such as the Modular Battle Kit (MBK), this project is seen as a key point of finding a systematic interconnection of the individual elements of ISTAR so that the system is able to produce Situational Awareness (SA) to the commander and his staff in real or near real time.



SSR TA Specialists

S – Sensor

S – Surveillance

R – Reconnaissance

TA – Target Acquisition





MBK Purpose

- The purpose of Modular Battle Kits (MBK) for infantry, reconnaissance, airborne and artillery units is to increase the capability of the CAF to conduct combat operations in contemporary conditions.
- The procurement of MBK contributes to the fulfilment of the objectives of CT 2021 1201 N (Advanced individual combat capability).
- MBK are intended for support at the company, platoon, squad, group and team levels to connect with the CAF command posts.

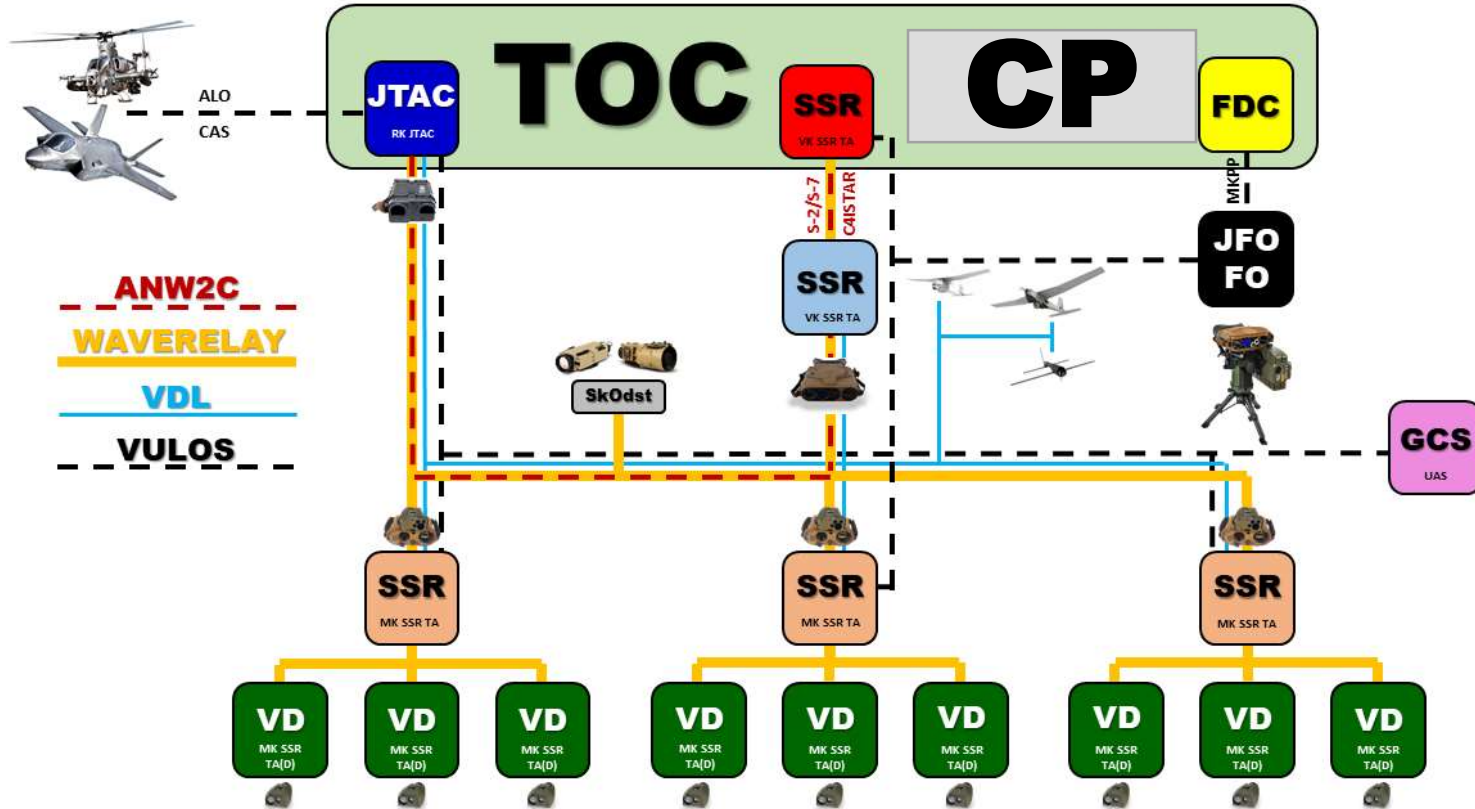


Squad to COY SSR TA system





SSR TA system





SSR TA kit



VK SSR TA



MK SSR TA + MK SSR VD



MK SSR TA VD



KEY EQUIPMENT

- CIS
- ACQUISITION UNITS
- LASER DESIGNATOR
- TACTICAL DISPLAY
- DRONES





C4ISTAR Future

- Data connection with IFV Pandur and HQ in MANET.
- Data transmission directly to S-2 and Fire Support Centre on HQ.
- Transition from MyVector to BADIAN.
- Vehicles for SSR TA specialists (on platoon level).



**Thank you
for your attention**

