

**FOR THOSE
WHO PLAY
WHERE
OTHERS FEAR
TO TREAD**

PIAK



PIAKOFFROAD.COM.AU



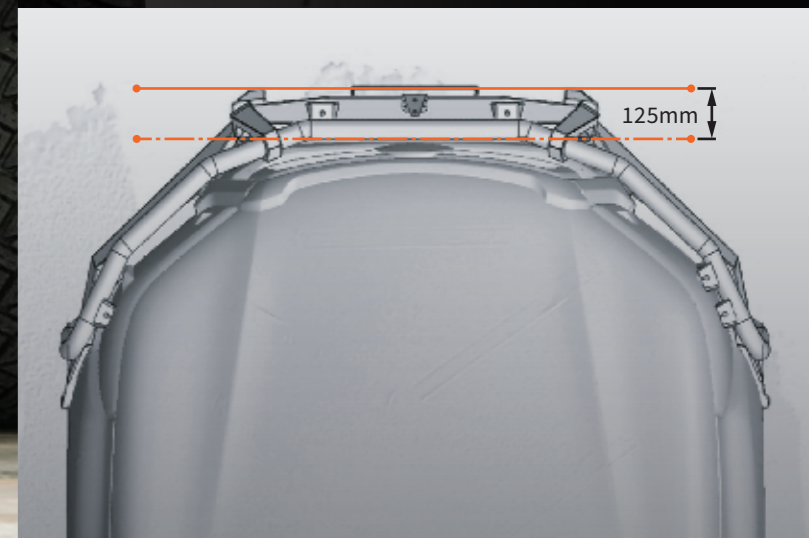
PIAX



PIAKOFFROAD.COM.AU

ISUZU D-MAX 2020

- Uses vehicle's existing fogs
- Comes with rated towing points in orange
- Comes with under body protection plate in black
- Comes with indicator / parker lights
- Comes with Winch Mount and Hi-Lift Jacking points
- No Loop weighs 71kg
- Post Bar weighs 81kg
- Completely Tech Pack Compatible





TOYOTA HILUX 2020

- Comes with Halogen Fog lights
- Comes with rated towing points in orange
- Comes with under body protection plate in black
- Comes with indicator / parker lights
- Comes with Winch Mount and Hi-Lift Jacking points
- No Loop weighs 75kg
- Post Bar weighs 85kg
- Completely Tech Pack Compatible



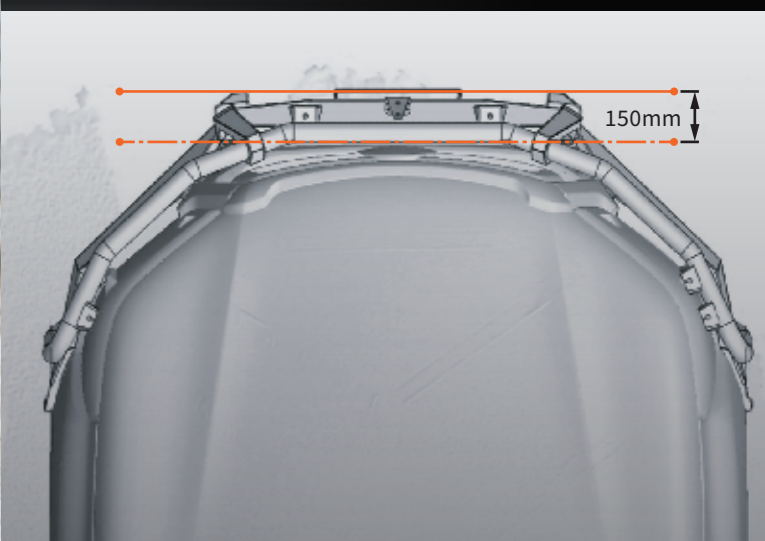
PIAK

PIAKOFFROAD.COM.AU



FORD RANGER & EVEREST

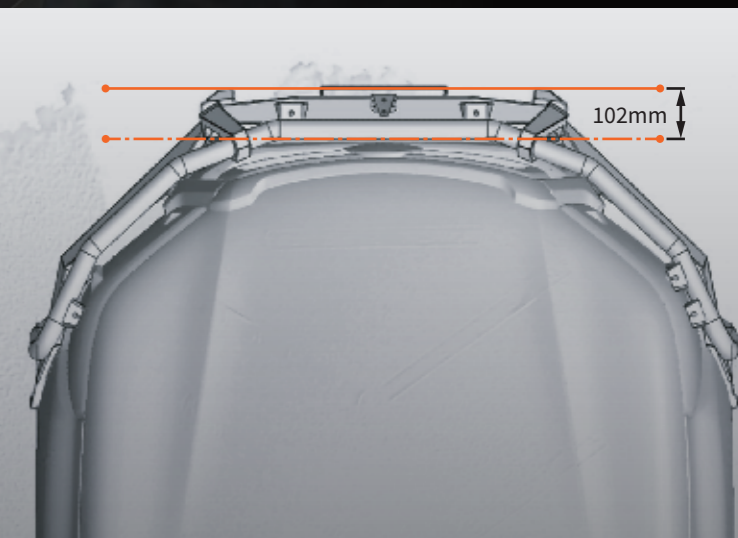
- Uses Vehicles existing Fogs in PX3 Ranger
- Order fogs separately for PX2 and Everest
- Comes with rated towing points in Orange
- Comes with under body protection plate in black
- Comes with indicator / parker lights
- Comes with Winch Mounting and Hi-Lift Jacking points
- No Loop weighs 75kg
- Post Bar weighs 84kg
- Completely Tech Pack Compatible





QF PAJERO SPORT

- Comes with LED Fog lights
- Comes with directional marker light
- Comes with rated towing points in Orange
- Comes with under body protection plate in black
- Comes with indicator / parker lights
- Comes with Winch Mount and Hi-Lift Jacking points
- No Loop weighs 86kg
- Post Bar weighs 97kg
- Completely Tech Pack Compatible





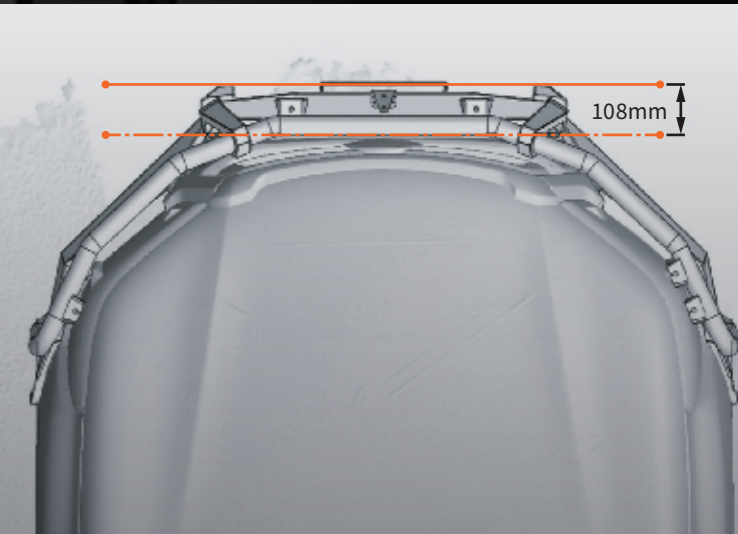
PIAK



PIAKOFFROAD.COM.AU

MITSUBISHI MR TRITON

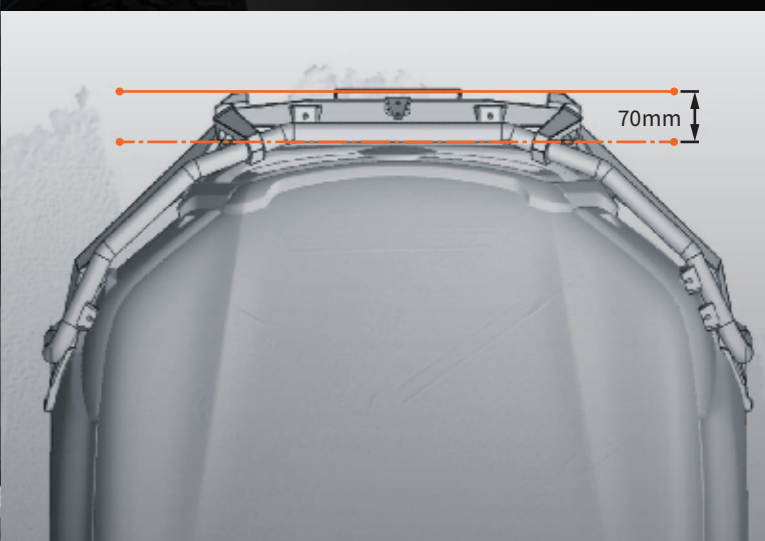
- Comes with Halogen Fog lights
- Comes with rated towing points in Orange
- Comes with under body protection plate in black
- Comes with indicator / parker lights
- Comes with Winch Mount and Hi-Lift Jacking points
- No Loop weighs 80kg
- Post Bar weighs 89kg
- Completely Tech Pack Compatible





MAZDA BT 50 2011-2020

- Comes with Halogen Fog lights
- Comes with rated towing points in Orange
- Comes with under body protection plate in black
- Comes with indicator / parker lights
- Comes with Winch Mount and Hi-Lift Jacking points
- No Loop weighs 73kg
- Post Bar weighs 82kg
- Completely Tech Pack Compatible





PIAK





PIAKOFFROAD.COM.AU



PIAK



For more information: piakoffroad.com.au | sales@piakoffroad.com.au

 @piakoffroadaustralia  @PIAK Off-road Official - Australia and New Zealand