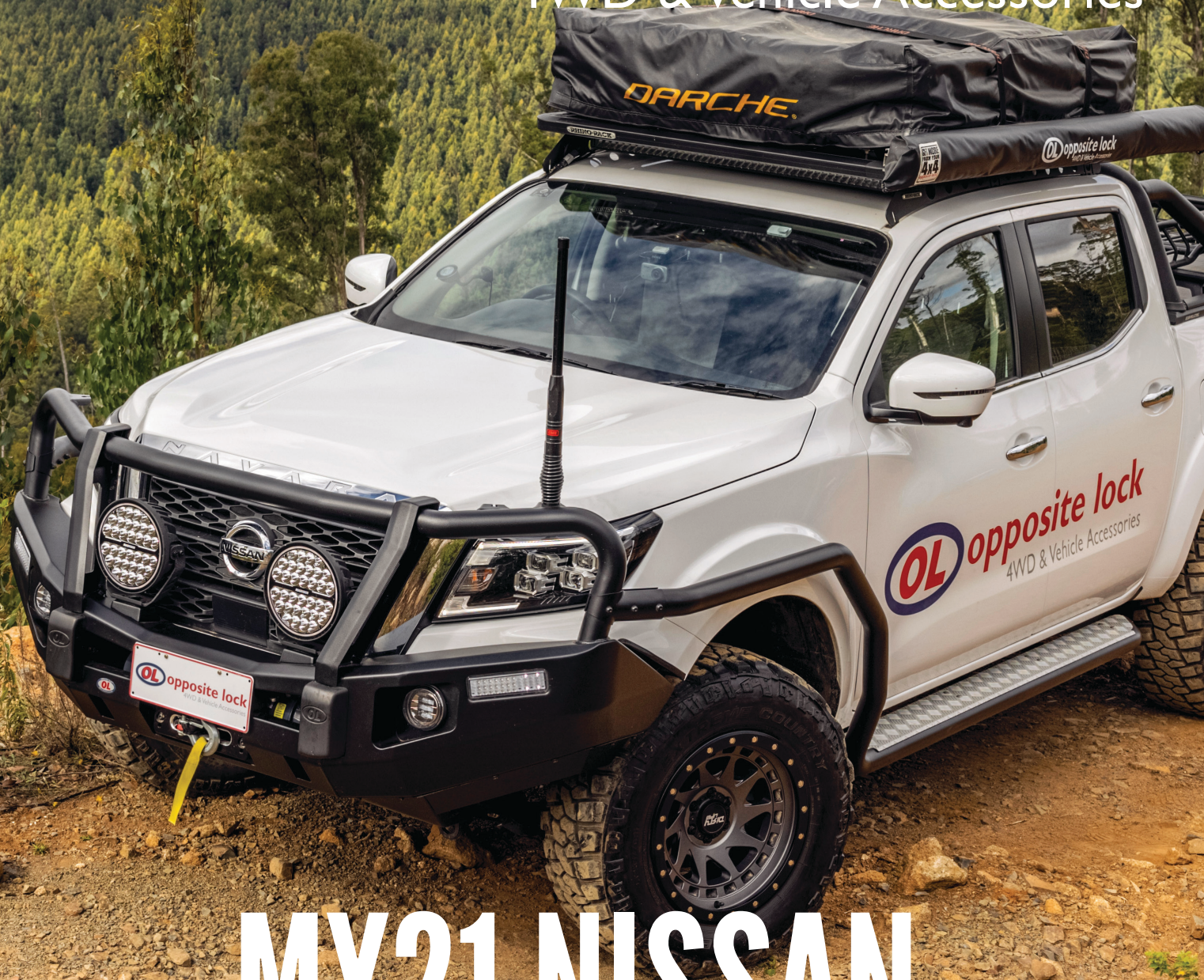




# opposite lock

4WD & Vehicle Accessories



# MY21 NISSAN NAVARA BULL-BAR

ADVENTURE DRIVEN™



CALL 1800 624 444 VISIT [OPPOSITELOCK.COM.AU](https://www.oppositelock.com.au)



# TOUGH REDEFINED

**NOW AVAILABLE!**

The Opposite Lock Post-Type Premium Bull bar to suit the MY21 Nissan Navara.

Our spin on traditional frontal protection is uniquely designed and engineered in Australia to complement and enhance the vehicle's original aesthetics. Our engineers have designed this bar to offer maximum frontal impact protection whilst being packed with features that allow the personalization of your vehicle, ready to be equipped with a wide range of off-road accessories.

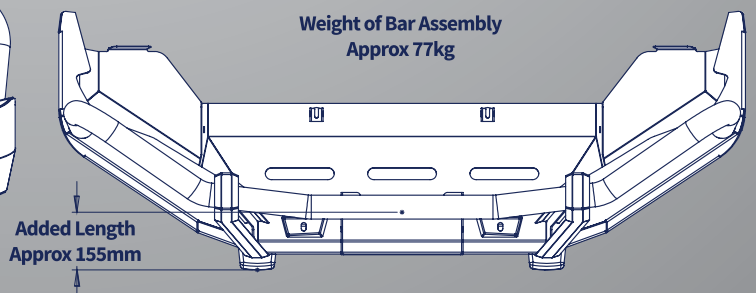
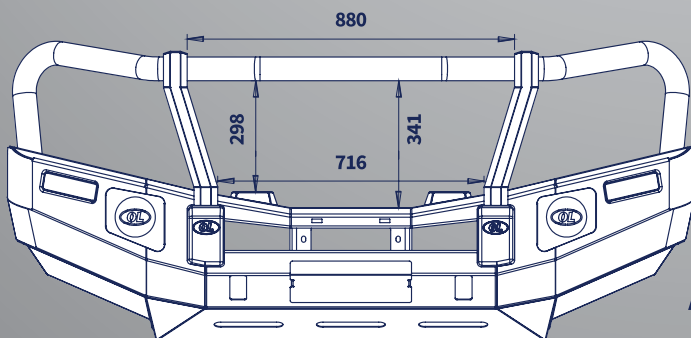


The Opposite Lock Bull Bar has evolved to travel every journey from day-to-day driving to tackling some of the most extreme adventures. Made from high-grade steel to offer outstanding protection, functionality, and good looks.

\*Bull bar only – no other accessories included \*

## Key features include:

- 64mm tube for top loops
- Compatible with all tech pack features
- Recessed LED indicators
- Interchangeable fog lights
- Hi-lift jack points
- 3 x CB aerial mounts - two located on the passenger side, one located on the driver's side
- Driving light mounts are standard, to allow fitting of our wide range of driving lights.
- Low winch mount for optimum vehicle recovery - built to suit a wide range of popular winch models
- Three-piece front underbody protection plate
- Central split air dam - to help maintain airflow and improve strength in frontal impacts
- Heavy duty over-riders - to protect the front of the bar against nudging
- Durable matte black powder coating - colour coding available
- All Opposite Lock bars have been tested in Australia for airbag compatibility
- All Opposite Lock bars are ADR compliant
- All Opposite Lock bars carry a 2-year warranty



CALL 1800 624 444 VISIT [OPPOSITELOCK.COM.AU](https://www.oppositelock.com.au)

