

tommycampers.com.au

TOMMY CAMPERS®

THE WORLD'S FASTEST AND EASIEST SET UP!

→ SLIDE-ON CAMPERS



56X



54X



© 03 4372 6777

25 ICON DRIVE, DELACOMBE. VIC 3356

sales@tommycampers.com.au





At Tommy Campers, we take great pride in manufacturing Australia's highest quality slide-on campers. Each camper is built at our factory in Ballarat, Victoria and we have dedicated years to perfecting our campers so you can trust your Tommy Camper will be durable, practical and reliable.

Family owned and operated, our expertise and personal service enables our campers to be customised to suit your individual needs.



PERSONALISED FIT-OUT

With a large array of simple and practical options, Tommy Campers can come as a bare shell for the DIY project, a fully fitted-out ready to go camper, or anything in between.

EFFORTLESS SET UP

Completely set-up your camper with ease, allowing you more time to get back to the things you love.

UNRIVALED STRENGTH

With an industry leading 3mm thick aluminium body, Tommy Campers are designed to handle rough outback conditions and anything else you can throw at them.

EASY ACCESS

The gently tapered, large non-slip rear steps and TC Billet Handle make accessing the interior easy and safe.

LET THE ADVENTURE BEGIN

We have the skills to build and the off-road experience to know what works. A perfect combination for manufacturing dependable, long-lasting campers.

DIMENSIONS

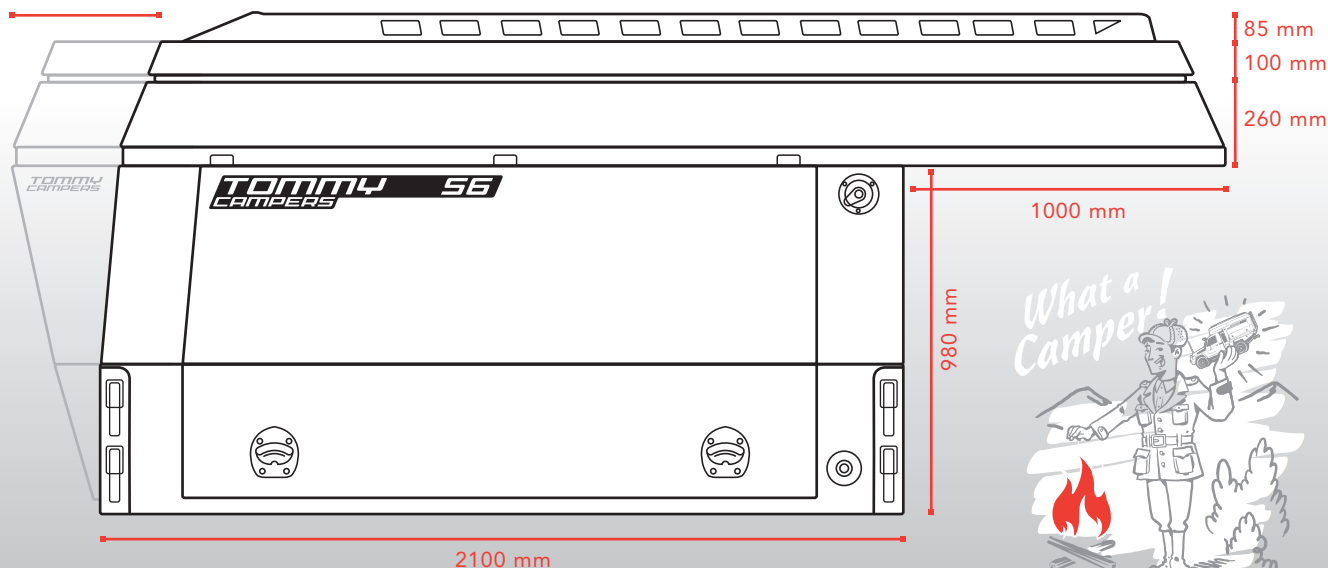
S4	1850mm	Add 300mm at Top for X-Models
S6	2100mm	
S8	2400mm	

PLEASE REFER TO WEBSITE for complete dimension guide & layout options

S6 DIMENSIONS

WIDTH: 1900mm / DRY WEIGHT: 328kg

ADD 300 mm X-Models



tommycampers.com.au



Scan to view full range online

Since our humble beginnings in 2015, our goal has remained the same: build the highest-quality, fastest and easiest slide-on campers available.

We build Tommy Campers – Australia's highest quality, slide-on campers with customisable options to suit you. We have dedicated years to perfecting our campers, so you can trust your Tommy Camper will be durable, practical and reliable. Each camper is built at our factory in Ballarat, Victoria and we only build to order. Our range of simple and practical options allows you to customise your Tommy Camper to suit the way you like to explore.