



SAVWINCH

EFFORTLESS ANCHORING

WORLD LEADING DRUM WINCHES! Solid Block Patented IP68 Rated Motors



CS RANGE

Powder Coated Steel Motor
Aluminium Gearbox



SS RANGE

316 Stainless Steel Motor
Aluminium Gearbox



SSS RANGE

316 Stainless Steel Motor
316 Stainless Steel Gearbox

SAV SLIDER ANCHORS

Unique Design & Dynamic Holding Power Ensures You Retrieve Your Anchor



316SS SAV SLIDER



GALVANIZED SAV SLIDER



316SS CLAW SLIDER



GALVANIZED CLAW SLIDER

Savwinch Drum Winch Packages Include The Following



Savwinch Drum Winch



Backing Plate & Bolts



Guide Roller



Up/Down Switch



Circuit Breaker



Anchor Swivel

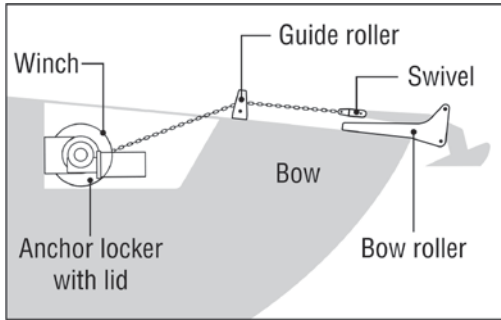


Solenoid

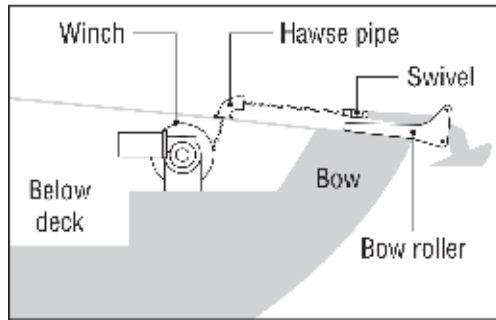


Rope and Chain

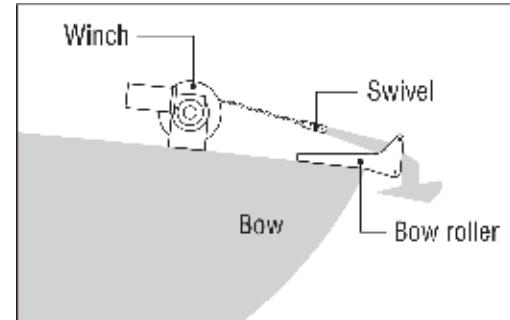
Mounting Methods



Below Deck With Lid



Below Deck Without Lid



Deck Mount

Bowsprits

We stock an extensive range of 316 Stainless Steel bowsprits/bow rollers to suit almost any boat. Our Signature Bowsprit is our premium and top of the range Bowsprit. The Classic Bowsprit is our standard and most popular bowsprit range.

The Swivel Arm Bowsprit is a self deploying bowsprit which automatically drops the anchor as soon as the winch is released.



Signature Bowsprit



Classic Bowsprit



Swivel Arm Bowsprit

Hawse Pipes

For boats that do not feature open access to the anchor well, you can use a Hawse Pipe to install your drum winch under the deck. We have two models of Hawse Pipes, one with a small opening and one with a large wide opening. Made from 316 stainless steel, featuring a specially designed angle to ensure there is minimal friction and little to no load on the Hawse Pipe.



Hawse Pipe - Small



Hawse Pipe - Large



Electronic Fast Fall System

The world's first clutch free Electronic Fast Fall System boosts the speed of the motor on the way down, almost as fast as you can freely drop your anchor. Our EFF system has won International Design Awards.

4/72-74 Lambeck Drive
Tullamarine, Victoria, 3043, Australia