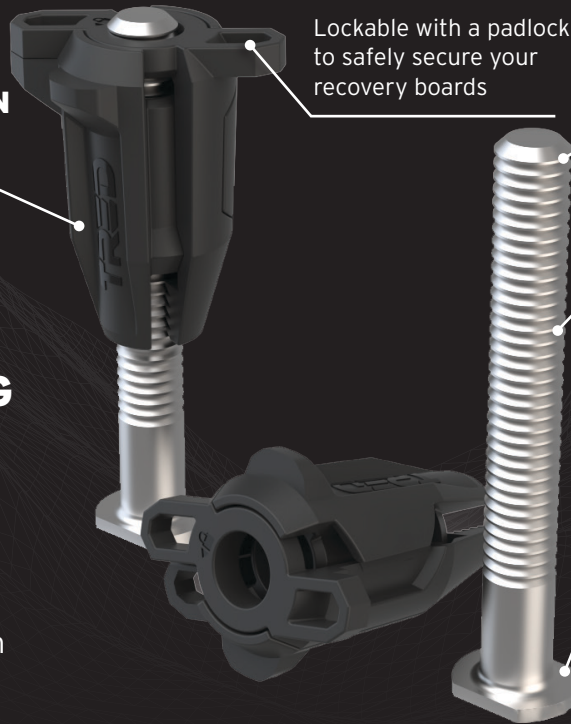


# TRED QUICK RELEASE MOUNTING PINS

112.5<sub>MM</sub>/4.4" PIN LENGTH



MADE WITH  
**REINFORCED NYLON**  
Engineered Formulation



Lockable with a padlock to safely secure your recovery boards

Mount 2 or 4 TRED GT, HD and Pro Boards

Made with 7075 Aluminium

M6 threaded base to mount securely to a variety of different roof racks, brackets, plates or panels

## TAKE THE HASSLE OUT OF ACCESSING YOUR RECOVERY BOARDS

Quick Release mounting pins allow you to quickly and easily access your recovery boards, while still stowing them securely on your vehicle.



### SUITABLE FOR



#### WHATS INCLUDED

- 2 x TRED 112.5mm / 4.4" Mounting Pins
- 2 x Quick Release Ratchet Handles
- 2 x Stainless Steel M6 Button Socket Head Cap Bolts
- 2 x Stainless Steel M6 Stepped Washers (19mm / 0.75" O.D)
- 2 x Stainless Steel M6 Washers (12mm / 0.47" O.D)
- 2 x Stainless Steel M6 Washers (17mm / 0.67" O.D)
- 2 x Rubber Spacer (Grommet)

#### FEATURES

The TRED Quick Release Mounting Pins are designed to easily and securely mount your recovery boards to your vehicle, trailer or caravan.

#### DESIGN



Lockable with a padlock to safely secure your recovery boards. TRED recommends a 30mm Padlock with a 5mm shackle.



The unique design will mount up to four TRED GT, HD or PRO model recovery boards or two of the TRED 800/1100 model recovery boards. Also works with other manufacturers' boards.



Hardware included for installation.



Stainless steel M6 19mm stepped washer for ease of fitment into other manufacturers mounting brackets and plates.

#### MOUNTING

Depending on your installation, mounting location, and brackets used you may require four pins for optimum security and stability. For vertical, side, or anything other than flat mounting, we highly recommend using two sets of Mounting Pins.

#### USAGE

##### M6 Threaded base design

With the M6 threaded base design, you're able to secure these pins easily onto a variety of surfaces.

##### Pairs with TRED Mounting Baseplate

When paired with a TRED Mounting Baseplate\*, the installation is more secure and easier to mount due to the pin location slots, recesses and covers within the Baseplate design.

\*(SKU: TMBP01) Not included, sold separately.

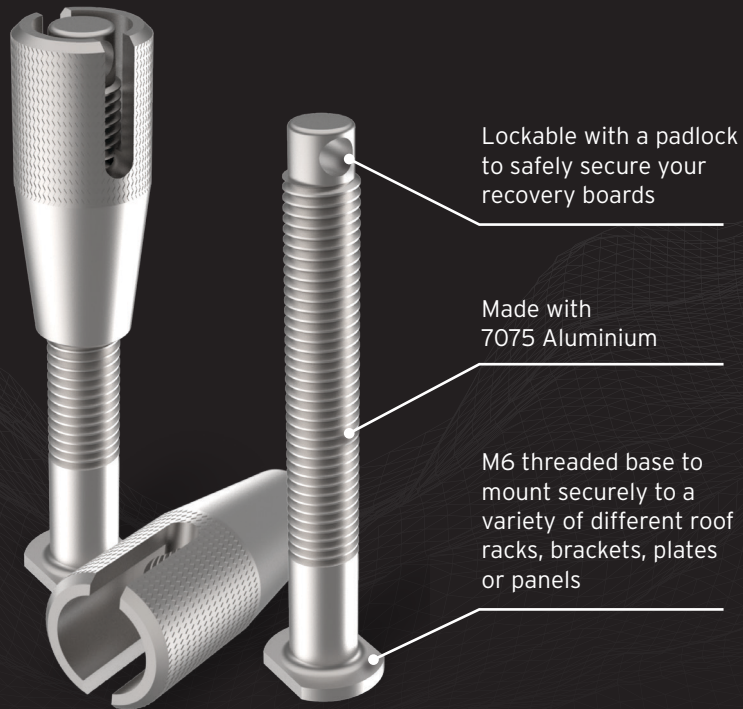
##### Works on other brand's recovery boards

These pins will also work on other brand's recovery boards. To ensure fit is possible check the stacking height measurement. The TRED Threaded Mounting Pin has a securing height range of 22-80mm (0.86"-3.15") while maintaining the locking feature.



# TRED THREADED MOUNTING PINS

115MM/4.5" PIN LENGTH



## RUGGED AND CAPABLE

TRED Threaded mounting pins are a reliable way to secure your recovery boards, and they're lockable with a padlock too

### SUITABLE FOR



#### WHATS INCLUDED

- 2 x TRED 115mm / 4.5" Mounting Pins
- 2 x TRED Securing Nuts
- 2 x Stainless Steel M6 Button Socket Head Cap Bolts
- 2 x Stainless Steel M6 Stepped Washers (19mm / 0.75" O.D)
- 2 x Stainless Steel M6 Washers (12mm / 0.47" O.D)
- 2 x Stainless Steel M6 Washers (17mm / 0.67" O.D)
- 2 x Rubber Spacer (Grommet)



#### FEATURES

The TRED Threaded Mounting Pins are designed to easily and securely mount your recovery boards to your vehicle, trailer or caravan.

#### DESIGN



Lockable with a padlock to safely secure your recovery boards. TRED recommends a 30mm Padlock with a 5mm shackle.



The unique design will mount up to four TRED GT, HD or PRO model recovery boards or two of the TRED 800/1100 model recovery boards. Also works with other manufacturers' boards.



Hardware included for installation.



Stainless steel M6 19mm stepped washer for ease of fitment into other manufacturers mounting brackets and plates.

#### MOUNTING

The unique design will mount up to four TRED GT, HD or PRO model recovery boards or two of the TRED 800/1100 model recovery boards. Depending on your installation, mounting location, and brackets used you may require four pins for optimum security and stability. For vertical, side, or anything other than flat mounting, we highly recommend using two sets of Mounting Pins.

#### USAGE

##### M6 Threaded base design

With the M6 threaded base design, you're able to secure these pins easily onto a variety of surfaces.

##### Pairs with TRED Mounting Baseplate

When paired with a TRED Mounting Baseplate\*, the installation is more secure and easier to mount due to the pin location slots, recesses and covers within the Baseplate design.

\*(SKU: TMBP01) Not included, sold separately.

##### Works on other brand's recovery boards

These pins will also work on other brand's recovery boards. To ensure fit is possible check the stacking height measurement. The TRED Threaded Mounting Pin has a securing height range of 22-80mm (0.86"-3.15") while maintaining the locking feature.

# TRED MOUNTING BASEPLATE

**Flush Slot Covers**  
Covers for the mounting holes are included



**MADE WITH REINFORCED NYLON**  
Engineered Formulation

**Pin Mount Recessed Slots**  
Works with TRED Mounting Pin\* options

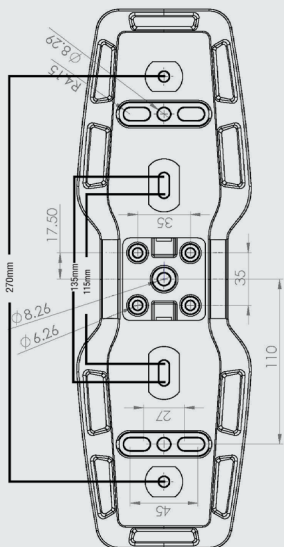
**Multiple Mounting Holes**  
For easy mounting onto a variety of surfaces. Also works with the TRED Mount Baseplate Adapter Kits\*

## TAKE THE GUESSWORK OUT OF INSTALLING YOUR MOUNTING PINS

The Mounting baseplate provides a great surface for the boards to mount to, and it guarantees the mounting pins are in the right place too.



### SUITABLE FOR



### WHATS INCLUDED

- 1 x Centre Cover
- 2 x Slot Covers
- 1 x Baseplate



\*Pins and adapters sold separately \*\*Pins and hardware shown not included

### FEATURES

The TRED Mounting Baseplate makes the installation of Recovery Boards easier, and more secure due to the pin location slots, recesses and covers within the Baseplate design.

### DESIGN



Suits both TRED Threaded and Quick Release Mounting Pins.



Designed for various fixing options\*\*.



Recessed plate mount securing holes.



Flush slot covers included.



Suits TRED Mount Baseplate adapter kits.

### MOUNTING

The recessed slots on the front face of the baseplate have been set for correct alignment of the TRED Mounting Pins\* to align with the Recovery Boards mounting pattern perfectly.

Securing hardware from the TRED Mounting Pins\* have been designed to recess into the back of the plate to allow the plate to mount flush onto a surface.

The Baseplate includes multiple design allowances for permanently mounting the Baseplate with things like self-tapping screws, bolts, straps or even less-permanent solutions using heavy-duty cable ties.

Using a more secure system like bolts to fix the plate down onto the surface, then covering the hardware with the supplied Baseplate covers completes the install. It also adds a tamper-proof system, making it harder to remove the pins from the Baseplate and the whole Baseplate off the vehicle when the boards are mounted.

Couple this with the locking features within the TRED Mounting Pin\* design, and you have a secure method of mounting your investment to your vehicle.

