

Australia
NORWELD



UTE TRAYS AND CANOPIES



**DELUXE AND
DELUXE PLUS TRAYS**





YOUR JOURNEY STARTS HERE

Elevate your 4WD with a high-quality aluminium ute tray from Norweld. Built tough to last a lifetime, our trays are designed to suit your every need, whether you're a hardworking farmer, tradie or off-road adventurer.



EXPERIENCE THE NORWELD DIFFERENCE	2
INCLUDED FEATURES	4
DUAL CAB TRAYS	6
EXTRA CAB TRAYS	8
SINGLE CAB TRAYS	10
LANDCRUISER 79 WITH 300MM EXTENSION TRAYS	12
LANDCRUISER 200 AND 300 EXTENSIONS TRAYS	14
FULL-SIZE VEHICLE TRAYS	16
SPECIFICATIONS CHART	18
POPULAR ACCESSORIES	20

EXPERIENCE THE NORWELD DIFFERENCE

Since 1971, Norweld has welded aluminium in Cairns, leading the way in the heavy duty ute tray game since 2001.

Our passion for 4WD touring and adventure drives our commitment to innovation, inspiring us to design reliable products that expand the capabilities of your vehicle.

With a nationwide network of Norweld owned fitting locations and millions of kilometers covered each year by our customers, you can rest assured that a tray built by us will take you to the places you want to be.

Experience the Norweld difference today.





Norweld Deluxe Plus Tray (1826mm) | Mazda BT-50 |
Powerline Track, Glasshouse Mountains QLD

NORWELD.COM.AU | 3

DELUXE AND DELUXE PLUS TRAY INCLUDED FEATURES

With precision CNC-cut and a fully welded aluminium construction, our ute trays deliver a strong lightweight build backed with a lifetime warranty on all workmanship.

Each build features a heavy-duty, high tensile, 4mm thick one-piece aluminium plate floor, a rear trundle drawer integrated into the tray, under tray tool boxes and poly water tank, all beautifully designed. Our skilled technicians will manage the installation, including the relocation of factory cameras, sensors and radars, ensuring a flawless fit and smooth integration.

If you are moving from a tub to a Norweld tray, our design features a tray deck that allows you to maximise space, ensuring ample room for your gear in one easy-to-reach location.

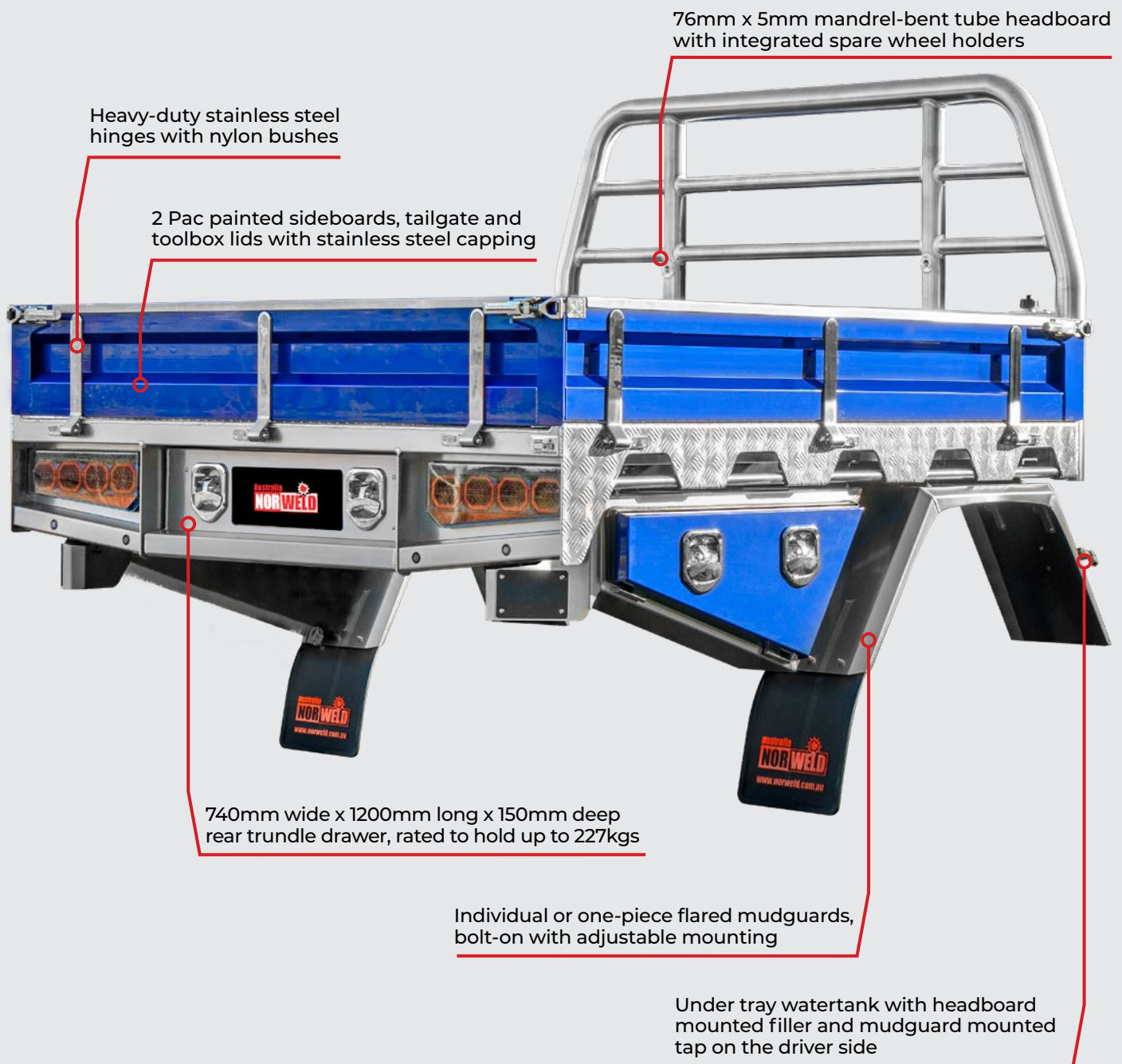


All Norweld Deluxe and Deluxe Plus Trays feature:

- 76mm x 38mm x 6mm high tensile aluminium chassis runner
- Independently engineered, 10mm thick alloy welded mounts
- Heavy duty rubber ute mat
- Portal axle mudguards available
- Water and dust resistant toolboxes and rear trundle drawer
- Transferable between most vehicles makes and models, allowing you to keep your tray when upgrading to your next vehicle
- Lifetime warranty on all workmanship
- Relocation of radars, sensors and cameras to retain factory functionality

Norweld offers tray and canopy packages to suit:

- Toyota LandCruiser 79
- Toyota HiLux
- Ford Ranger
- Mazda BT-50
- Isuzu D-Max
- Volkswagen Amarok
- Holden Colorado
- Nissan Navara
- Full-size vehicles
- Chassis Extensions



DELUXE AND DELUXE PLUS TRAY DUAL CAB



SEE IT IN ACTION



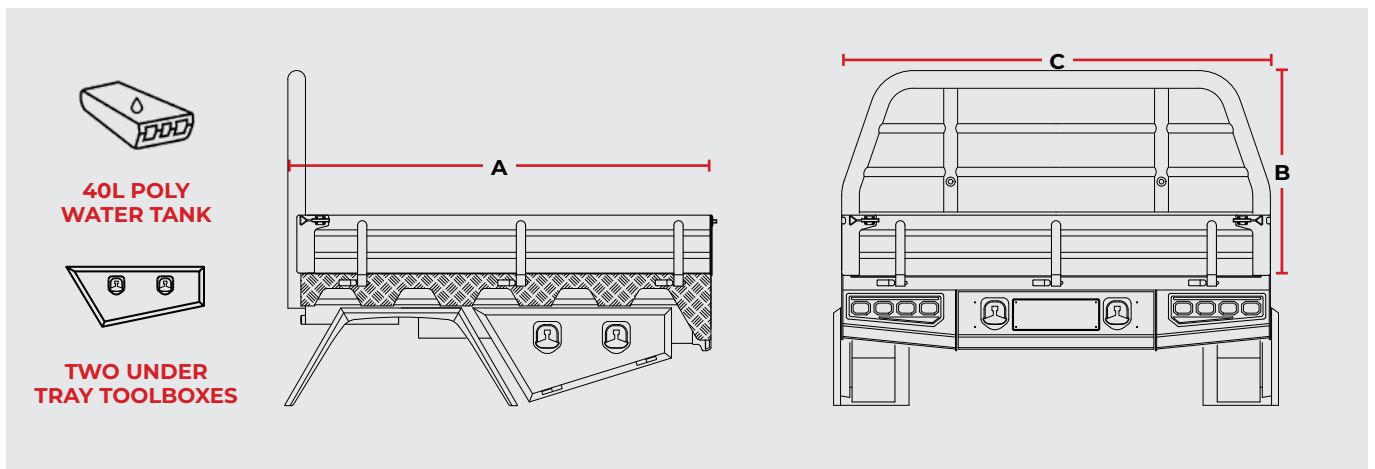
SCAN TO WATCH THE DUAL CAB
DELUXE PLUS TRAY WALKTHROUGH VIDEO
[YOUTUBE.COM/@NORWELDAUSTRALIA](https://www.youtube.com/@norweldaustralia)



Norweld Deluxe Plus Tray (1826mm Length) | Toyota LandCruiser 79 | Ross n Locke, Cairns QLD



Tap for watertank with pad lock function



VEHICLE MODEL	A (MM)	B (MM)	C (MM)	WEIGHT (KG)	
				DELUXE TRAY	DELUXE PLUS TRAY
DUAL CAB MID-SIZE UTE	1826	890	1850	233	234
DUAL CAB LANDCRUISER 79	1826	1015	1850	233	234

*Tray weights are an approximate, at the time of publication. We recommend having your vehicle weighed after tray fitment.

DELUXE AND DELUXE PLUS TRAY EXTRA CAB



SEE IT IN ACTION



SCAN TO WATCH THE DELUXE PLUS TRAY
WALKTHROUGH VIDEO
[YOUTUBE.COM/@NORWELDAUSTRALIA](https://www.youtube.com/@norweldaustralia)

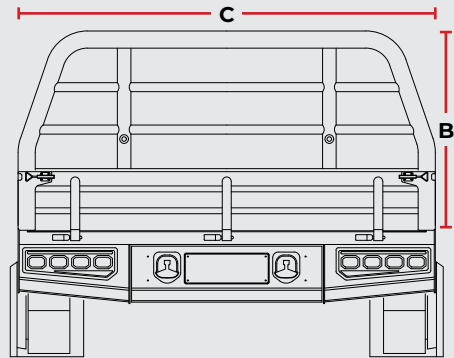
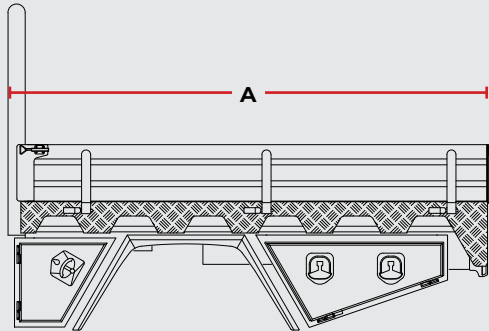
Norweld Deluxe Plus Tray (2126mm Length) | Mazda BT-50 | CREB Track, Cairns QLD



58L POLY WATER TANK



FOUR UNDER TRAY TOOLBOXES



VEHICLE MODEL

A (MM)

B (MM)

C (MM)

WEIGHT (KG)

DELUXE TRAY

DELUXE PLUS TRAY

EXTRA CAB MID-SIZE UTE

2126

890

1850

260

261

*Tray weights are an approximate, at the time of publication. We recommend having your vehicle weighed after tray fitment.

DELUXE AND DELUXE PLUS TRAY SINGLE CAB

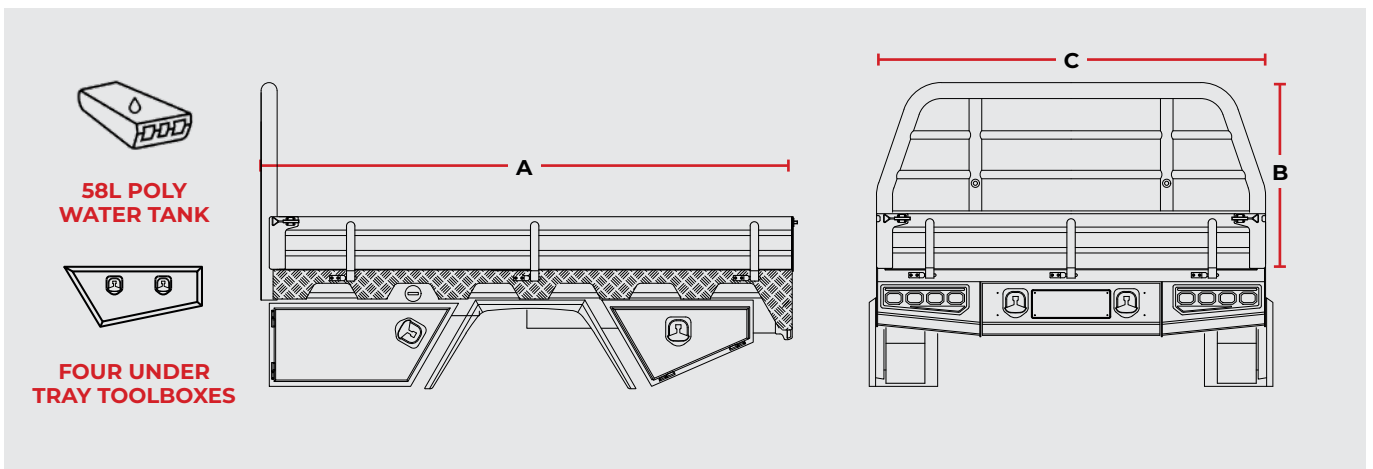


SEE IT IN ACTION



SCAN TO WATCH THE SINGLE CAB
DELUXE PLUS TRAY WALKTHROUGH VIDEO
[YOUTUBE.COM/@NORWELDAUSTRALIA](https://www.youtube.com/@norweldaustralia)

Norweld Deluxe Plus Tray (2526mm Length) |
Toyota LandCruiser 79



VEHICLE MODEL	A (MM)	B (MM)	C (MM)	WEIGHT (KG)	
				DELUXE TRAY	DELUXE PLUS TRAY
SINGLE CAB MID-SIZE UTE	2526	890	1850	300	303
SINGLE CAB LANDCRUISER 79	2526	1015	1850	300	303

*Tray weights are an approximate, at the time of publication. We recommend having your vehicle weighed after tray fitment.

DELUXE AND DELUXE PLUS TRAY LANDCRUISER 79 WITH 300MM EXTENSION

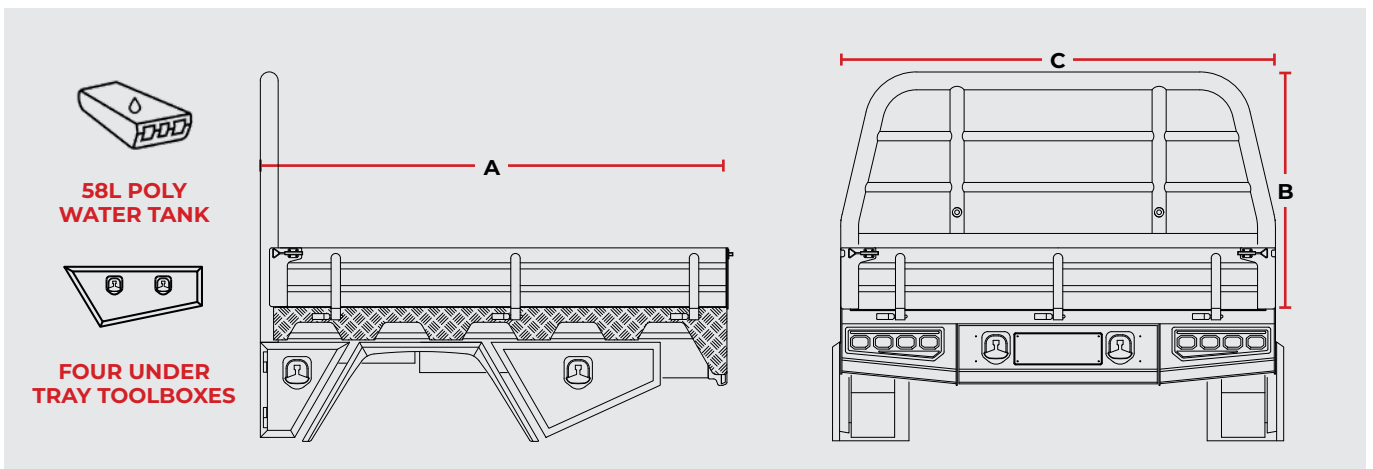


SEE IT IN ACTION



SCAN TO WATCH THE DELUXE PLUS TRAY
WALKTHROUGH VIDEO
[YOUTUBE.COM/@NORWELDAUSTRALIA](https://www.youtube.com/@NORWELDAUSTRALIA)

Norweld Deluxe Plus Tray (1986mm Length) | Toyota LandCruiser 79 with 300mm Extension



VEHICLE MODEL	A (MM)	B (MM)	C (MM)	WEIGHT (KG)	
				DELUXE TRAY	DELUXE PLUS TRAY
LANDCRUISER 79 WITH 300MM EXTENSION	1986	1015	1850	258	259

*Tray weights are an approximate, at the time of publication. We recommend having your vehicle weighed after tray fitment.

DELUXE AND DELUXE PLUS TRAY LANDCRUISER 200 AND 300 EXTENSIONS



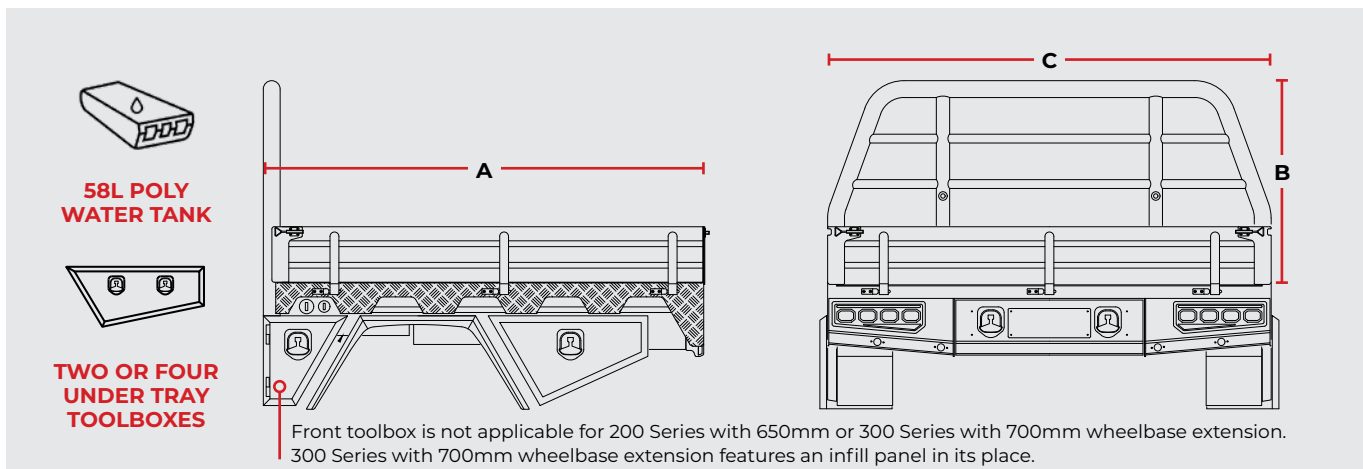
SEE IT IN ACTION



SCAN TO WATCH THE DELUXE PLUS TRAY
WALKTHROUGH VIDEO
[YOUTUBE.COM/@NORWELDAUSTRALIA](https://www.youtube.com/@NORWELDAUSTRALIA)



Norweld Deluxe Plus Tray (1986mm Length) | Toyota LandCruiser 300 with 800mm extension



VEHICLE MODEL	A (MM)	B (MM)	C (MM)	WEIGHT (KG)	
				DELUXE TRAY	DELUXE PLUS TRAY
LANDCRUISER 200 (650 / 750MM EXTENSIONS)	1986	925	2000	265	266
LANDCRUISER 300 (700 / 800MM EXTENSIONS)	1986	925	2000	265	266

*Tray weights are an approximate, at the time of publication. We recommend having your vehicle weighed after tray fitment.

DELUXE AND DELUXE PLUS TRAY FULL-SIZE VEHICLES

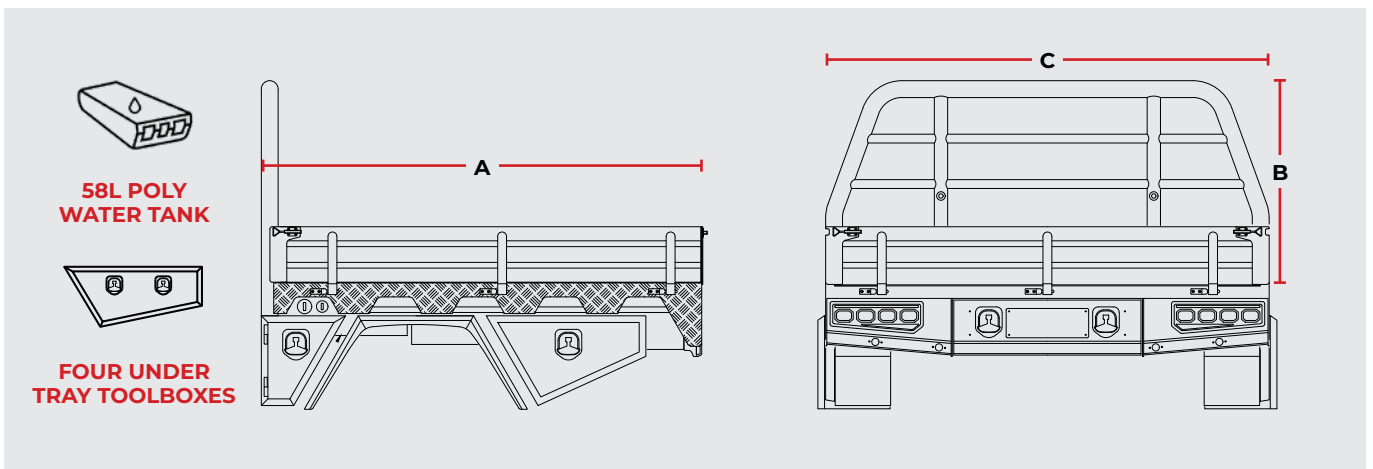


SEE IT IN ACTION



SCAN TO WATCH THE DELUXE PLUS TRAY
WALKTHROUGH VIDEO
[YOUTUBE.COM/@NORWELDAUSTRALIA](https://www.youtube.com/@NORWELDAUSTRALIA)

Norweld Deluxe Plus Tray (2286mm Length) | RAM 2500



VEHICLE MODEL	A (MM)	B (MM)	C (MM)	WEIGHT (KG)	
				DELUXE TRAY	DELUXE PLUS TRAY
FULL-SIZE VEHICLES (SHORT WHEELBASE)	1986	925	2000	265	266
FULL-SIZE VEHICLES (LONG WHEELBASE)	2286	925	2000	288	289

*Tray weights are an approximate, at the time of publication. We recommend having your vehicle weighed after tray fitment.

DELUXE AND DELUXE PLUS TRAY SPECIFICATIONS CHART

		1826MM L (DUAL CAB)	2126MM L (EXTRA CAB)
COMPATIBLE VEHICLES		Toyota LandCruiser 79, Toyota HiLux, Ford Ranger, Isuzu D-Max, Mazda BT-50, Volkswagen Amarok, Nissan Navara, Holden Colorado	Toyota HiLux, Ford Ranger, Isuzu D-Max, Mazda BT-50, Volkswagen Amarok, Nissan Navara, Holden Colorado
SPECIFICATIONS			
Weight* (kg)	Deluxe	233	260
	Deluxe Plus	234	261
Length (mm)		1826	2126
Width (mm)		1850	1850
Height (mm)	Mid-Size Ute	925	925
	Landcruiser 79	1015	N/A
FEATURES			
Lifetime warranty on all workmanship		●	●
4mm high tensile plate one-piece floor		●	●
Scratch resistant 5mm checker plate side rails		●	●
One-piece adjustable flared mudguards		●	●
Transferable between most vehicle makes and models		●	●
Sequential LED tail lights (exclusive to Norweld)		●	●
Under tray poly water tank size (Litres)		40	58
1200mm long dust resistant trundle drawer		●	●
Under tray toolboxes		2	4
Extruded sideboards and tailgate with built-in stiffeners		●	●
Heavy-duty stainless steel hinges and catches		●	●
Spare wheel holders integrated into the headboard		●	●
Mandrel-bent tube headboard		●	●
Painted sideboards, tailgate, and toolbox lids		Deluxe Plus Model Only	Deluxe Plus Model Only
Stainless steel capping on sideboards		Deluxe Plus Model Only	Deluxe Plus Model Only

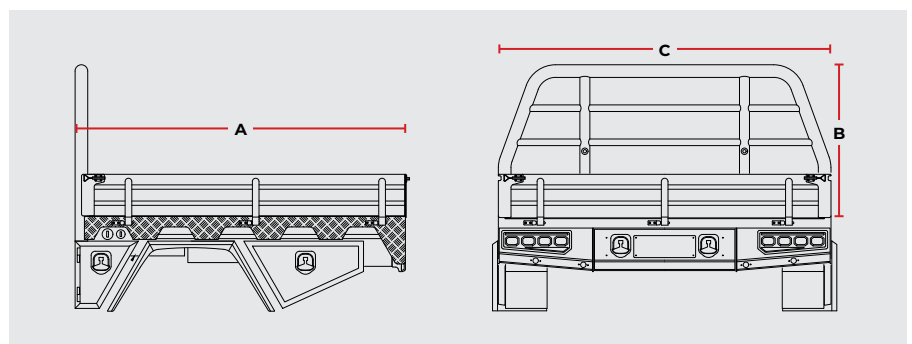
*Tray weights are an approximate, at the time of publication. Weights do not include rubber tray mat in calculations. We recommend having your vehicle weighed after tray fitment.

MEASUREMENTS

Length (A): From cab side edge of the head board to the edge of the tailgate.

Height (B): From the tray floor to the top of headboard .

Width (C): From edge to edge of the tailgate.



2526MM L (SINGLE CAB)	1986MM L (LANDCRUISER 79 + 300MM)	1986MM L (FULL-SIZE)	2286MM L (FULL-SIZE)
Toyota LandCruiser 79, Toyota HiLux, Ford Ranger, Isuzu D-Max, Mazda BT-50, Volkswagen Amarok, Nissan Navara, Holden Colorado	Dual Cab Toyota LandCruiser 79 with 300mm Extension	Toyota LandCruiser 200, Toyota LandCruiser 300, Toyota Tundra, Ford F-150, Nissan Titan, RAM 1500, Chevrolet Silverado, GMC Denali	Toyota Tundra, Ford F-250, Ford F-350, Nissan Titan, RAM 2500, RAM 3500, Chevrolet Silverado, GMC Denali
300	258	265	288
303	259	266	289
2526	1986	1986	2286
1850	1850	2000	2000
925	N/A	925	925
1015	1015		
●	●	●	●
●	●	●	●
●	●	●	●
●	●	●	●
●	●	●	●
●	●	●	●
58	58	58	58
●	●	●	●
4	4	2/4**	4
●	●	●	●
●	●	●	●
●	●	●	●
●	●	●	●
Deluxe Plus Model Only	Deluxe Plus Model Only	Deluxe Plus Model Only	Deluxe Plus Model Only
Deluxe Plus Model Only	Deluxe Plus Model Only	Deluxe Plus Model Only	Deluxe Plus Model Only

**Front toolbox is not applicable for 200 Series with 650mm or 300 Series with 700mm wheelbase extension.
300 Series with 700mm wheelbase extension features an infill panel in its place.



DELUXE AND DELUXE PLUS TRAY POPULAR ACCESSORIES

BACK LADDER RACK

76mm Mandrel-bent tube rear ladder rack follows the same contour as the headboard.

Supports longer lengths of materials and equipment.

Bolt on for removal with ease.



CLIP ON TABLE

Norweld's clip on table secures into the Deluxe or Deluxe Plus Tray rope rail and unistrut extrusion giving you a great prep area, workbench for your laptop or even a filleting station for those avid fishos amongst us.



CLIP ON KITCHEN

Based on the clip on table, the Norweld clip on kitchen features more bench space and is fitted with a collapsible sink allowing you to have a quick clean up whilst camping out of your car.



DROP-IN TABLE

The drop-in table for your rear trundle drawer is the perfect solution for roadside lunch stops or camping weekends away. Designed to stay in position when not being used the 2.5mm sheet metal design takes up next to no space and adds minimal weight.

Norweld Deluxe Plus Tray (1826mm Length) | Ford Ranger |
Smithburne River, Gulf of Carpentaria
@true.north.adventures



CLIP ON STEP

Designed for easy access to your tray or canopy, the clip on step secures into the rope rail of your Deluxe or Deluxe Plus Tray.

Made from 10mm aluminium and features a 5mm checker plate for added grip.



FLUSH TIE DOWNS

Flush with the floor of the tray, these stainless steel rings secure objects within the tray with ropes and straps.

Available in as set of four in 1826mm length trays and a set of six in all other tray lengths.



FLIP-UP BACK LADDER RACK ENDS

To aid in securing materials and equipment to both the back rack and headboard. Comes as set of four.

Made from 4mm aluminium with stainless steel fixings.

Norweld Deluxe Plus Tray (1826mm Length) | Ford Ranger

Australia
NORWELD
UTE TRAYS AND CANOPIES



Cairns

139-143 Hartley Street
Bungalow QLD 4870

Townsville

6/547 Woolcock Street
Mount Louisa QLD 4814

Brisbane

56 Griffin Crescent
Brendale QLD 4500

Newcastle

4/5 Coal Wash Drive
Mayfield West NSW 2304

Sydney

2/1003-1009 Canley Vale Road
Wetherill Park NSW 2164

Melbourne

2/37 Garden Street
Kilsyth Melbourne 3137

Adelaide

24 Fifth Street
Bowden SA 5007

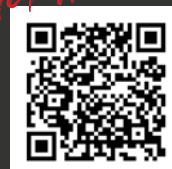
Perth

22 Opportunity Street
Wangara WA 6065

For more information
visit norweld.com.au
or call 1300 302 899.



GET A QUOTE



NORWELD.COM.AU | 1300 302 899

