

Australia

NORWELD



UTE TRAYS AND CANOPIES

ELITE TRAY

50 YEARS OF INNOVATION



With 50 years of experience in pioneering both on-road and off-road adventures, Norweld Australia are excited to once again raise the bar in Ute tray innovation.

Where modern, smooth style meets unparalleled durability and functionality, we introduce a new era of performance that surpasses international quality standards.

We invite you to experience Ute trays like never before.

Introducing Norweld's Elite Tray – a testament to excellence in design and quality.



SEE IT IN ACTION



SCAN TO WATCH THE ELITE RELEASE VIDEO
[YOUTUBE.COM/@NORWELDAUSTRALIA](https://www.youtube.com/@NORWELDAUSTRALIA)



Colour-coded infill panels for mid-size vehicles



Colour-coded bolt-on panel



NEW CONTEMPORARY HEADBOARD PROFILE

Featuring 3mm router cut, colour coded infill panel, and a mandrel bent tube with new aerodynamic profile.



1200MM LONG REAR TRUNDLE DRAWER WITH DROP IN TABLE

Rated to hold 227Kgs. Locking drawer slides give additional stability and drop in table included as standard.



UNDER TRAY TOOLBOXES WITH CONSTANT TORQUE HINGES

Keep tension on toolbox lids to prevent them from falling and damaging paint.



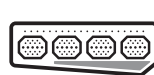
One-piece floor



Extruded sideboards with built in stiffeners



40L or 58L poly water tank



Sequential LED tail lights (Exclusive to Norweld)



Water + dust resistant toolboxes and drawer



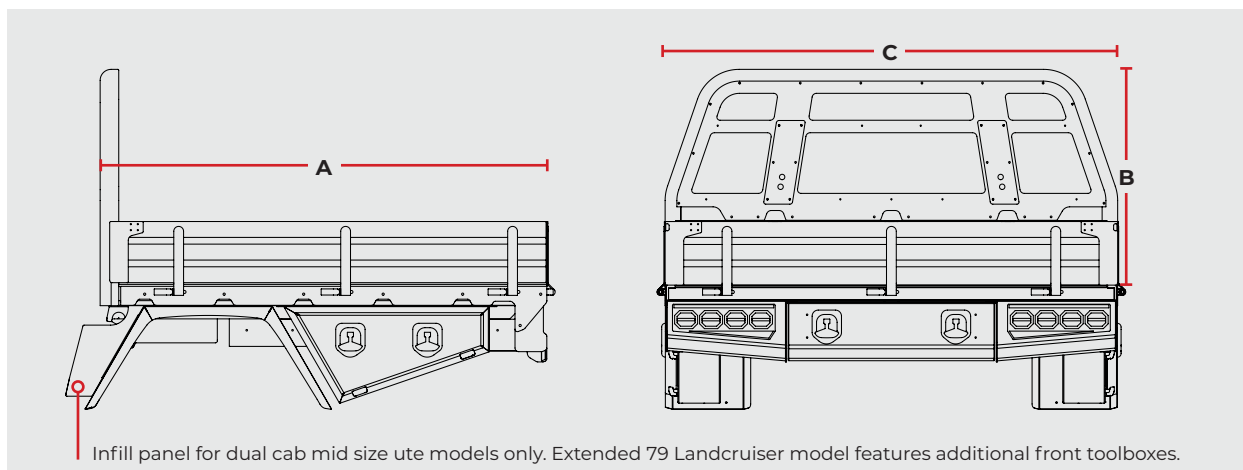
Colour-coded 2 pac paint as standard

TECHNICAL SPECIFICATIONS

ELITE TRAY



	DELUXE	DELUXE PLUS	ELITE
Lifetime warranty against faulty workmanship	●	●	●
4mm high tensile plate one-piece floor	●	●	●
5mm checker plate side rails	●	●	
Adjustable flared mudguards	●	●	●
Transferable between most vehicle makes and models	●	●	●
Sequential LED tail lights (exclusive to Norweld)	●	●	●
40L / 58L poly water tank	●	●	●
1200mm long dust resistant trundle drawer	●	●	●
Under tray toolboxes	●	●	●
Extruded sideboards with built-in stiffeners	●	●	●
Heavy-duty stainless steel catches and hinges with nylon bushes	●	●	●
Spare wheel holders integrated into the headboard	●	●	●
Mandrel-bent tube headboard	●	●	●
Painted sideboards, tailgate, and toolbox lids with stainless steel capping		●	●
Colour coded painted side plates			●
Premium constant torque toolbox hinges			●
Locking drawer slide and drop in table included on rear trundle drawer			●



VEHICLE MODEL	A	B	C	ELITE TRAY WEIGHT
DUAL CAB MID SIZE UTE	1826mm	890mm	1850mm	233kg
DUAL CAB 79 LANDCRUISER	1826mm	1015mm	1850mm	233kg
DUAL CAB 79 LANDCRUISER 300MM EXT.	1986mm	1015mm	1850mm	265kg

*Tray weights are an approximate, at the time of publication. We recommend having your vehicle weighed after tray fitment.

