



PERTH STORE
22 Sarich Ct, Osborne Park
WA 6017



MELBOURNE STORE
145-147 Atlantic Dr, Keysborough
VIC 3173



SYDNEY STORE
42 Lisbon St, Fairfield East
NSW 2165



**PUSHING
THE
LIMITS**



 **L&G Chivalry 1300 001 686**

 **Sales@ozchivalry.com.au**



HEAVY DUTY

TRAY

CHIVALRY



CHOOSE YOUR TRAY DECK

1650 mm (L) X 1780 mm (W)	71Kg
1800 mm (L) X 1780 mm (W)	78Kg

TRAY LENGTH

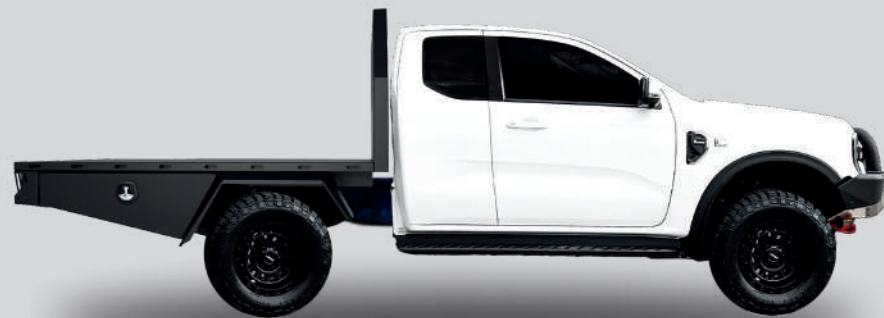


Dual Cab
Tray Length



1650 or 1800mm

Extra Cab
Tray Length



2100mm

Single Cab
Tray Length



2400mm

TYPE OF TRAY

Rear Ladder Rack



T1 TRAY

- Strong Lightweight Aluminium
- Affordability
- Suitable for Everyday Tasks and Storage
- Made from Durable aluminium Extrusions

Head Board



T3 TRAY

- Tailored for Heavy-Duty Applications
- Fully Welded 4WD Design
- Robust 8mm Aluminium C Channel Main Frames
- Accommodates Heavier Loads
- Provides Added Strength and Durability

Side Board

TRAY DECK



WITH CANOPY

CHOOSE YOUR CANOPY

CANOPIES CHIVALRY

- ALUMINIUM CANOPY
- 5052 MARINE-GRADE
- UNISTRUT FLOOR
- GAS STRUTS ASSISTED DOORS
- WHALE TAIL LOCKS
- JACK OFF COMPATIBLE
- INTERNAL FRAMING & BRACING
- FULL WEATHER & DUST SEALS



MODEL SELECTION



CANOPY + DOGBOX



FULL CANOPY



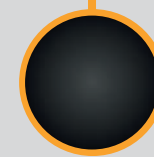
TOOLBOX SECTION

FINISH SELECTION

POWDER COATED



ALLOY



BLACK



WHITE



CHOOSE YOUR

X1 CANOPY

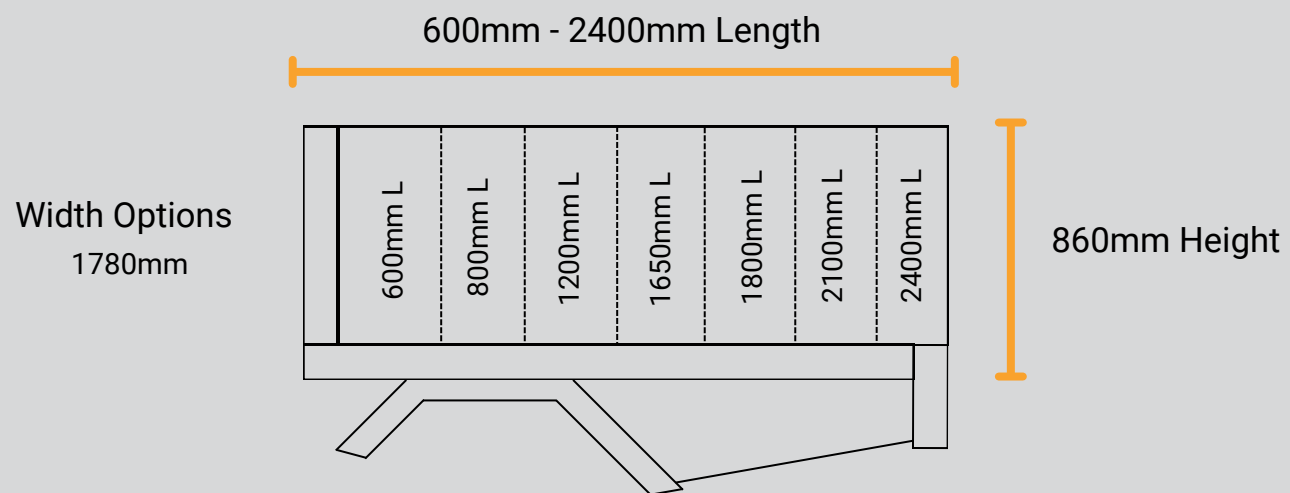


X1 CANOPY SECTION

- Utilises 2.5mm 5052 Marine-Grade Thickness Aluminium
- Reliable Storage for Tools and Gear
- Flexible for Combining Different Sizes
- X1 Canopy Effortlessly Accommodates Any Task



SIZES AVAILABLE FOR SELECTION

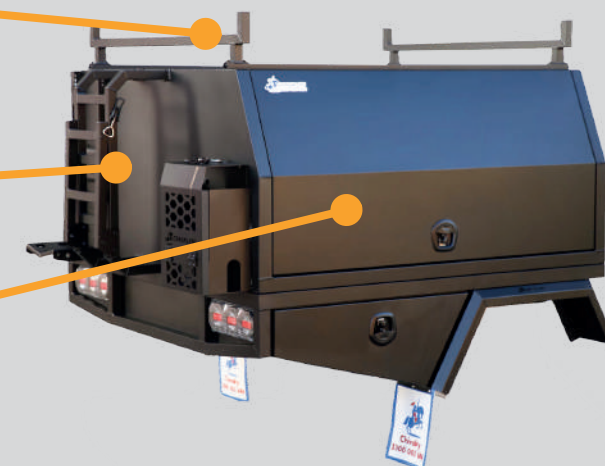


MODEL ONE

ROOF RACK

REAR COMBO SET

X1 FULL CANOPY



X1 CANOPY

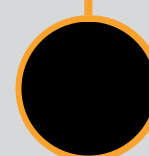


DOGBOX



MODEL TWO

POWDER COATED



BLACK



WHITE



ALLOY

FINISH SELECTION

CHOOSE YOUR X3 CANOPY

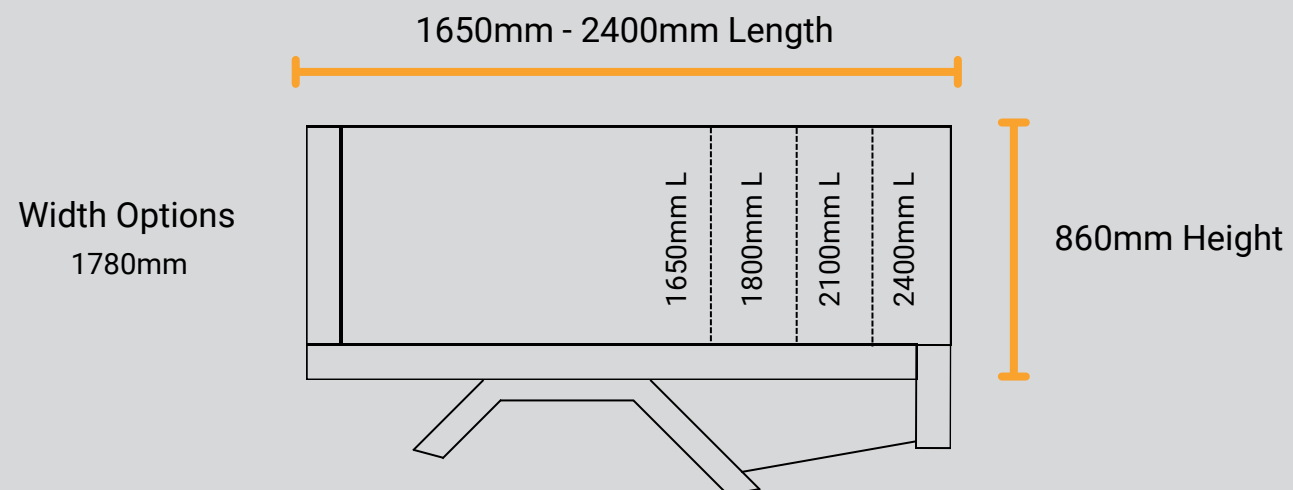


X3 CANOPY SECTION

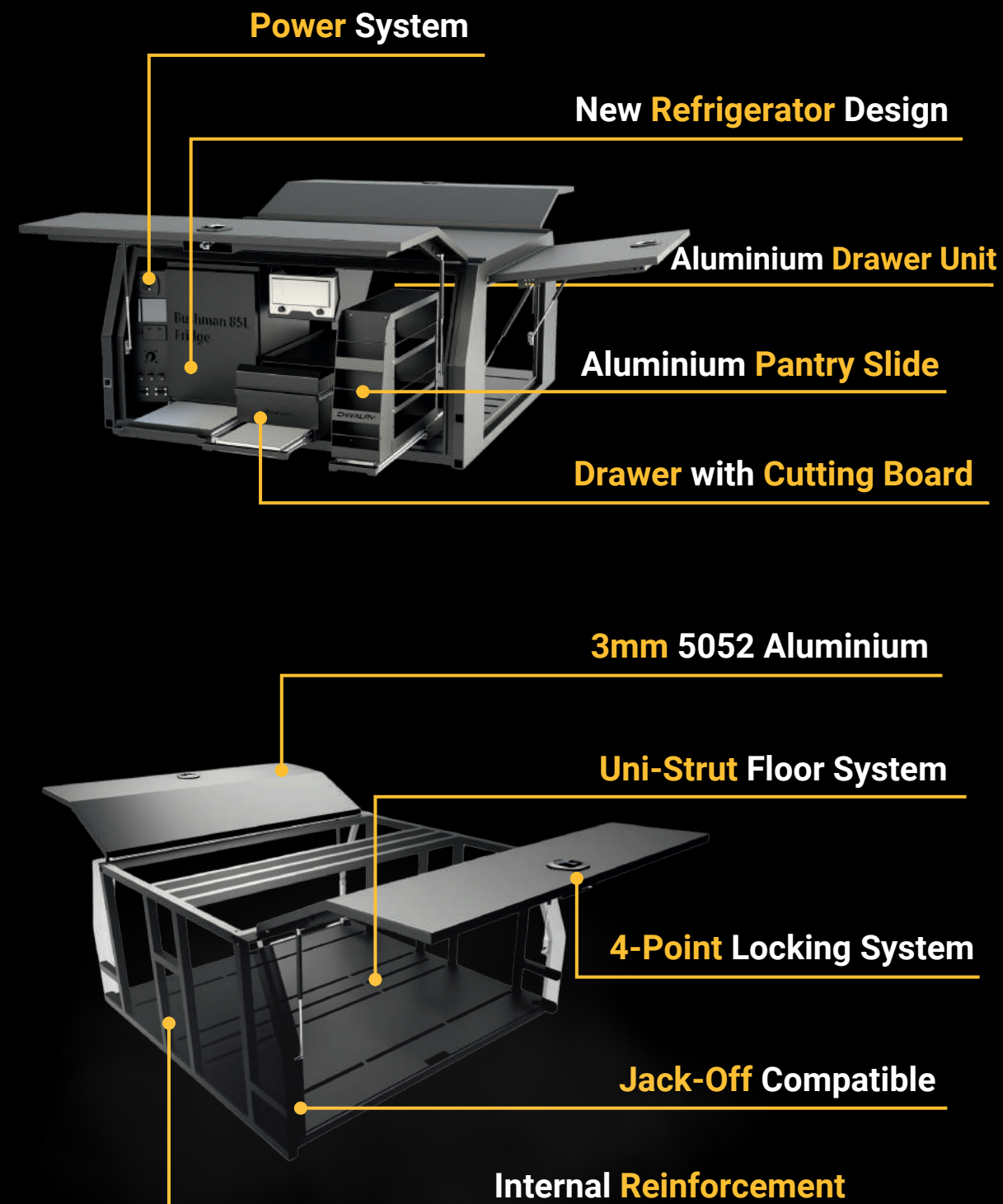
- Made from 3mm 5052 Marine-Grade Thickness Aluminium
- Modular Design for Custom Configurations
- Uni-Strut Alloy Load-Bearing Skeleton for Strength
- X3 Canopy is Specifically Engineered for Off-Road Applications



SIZES AVAILABLE FOR SELECTION



BUILD YOUR INTERIOR SPACE



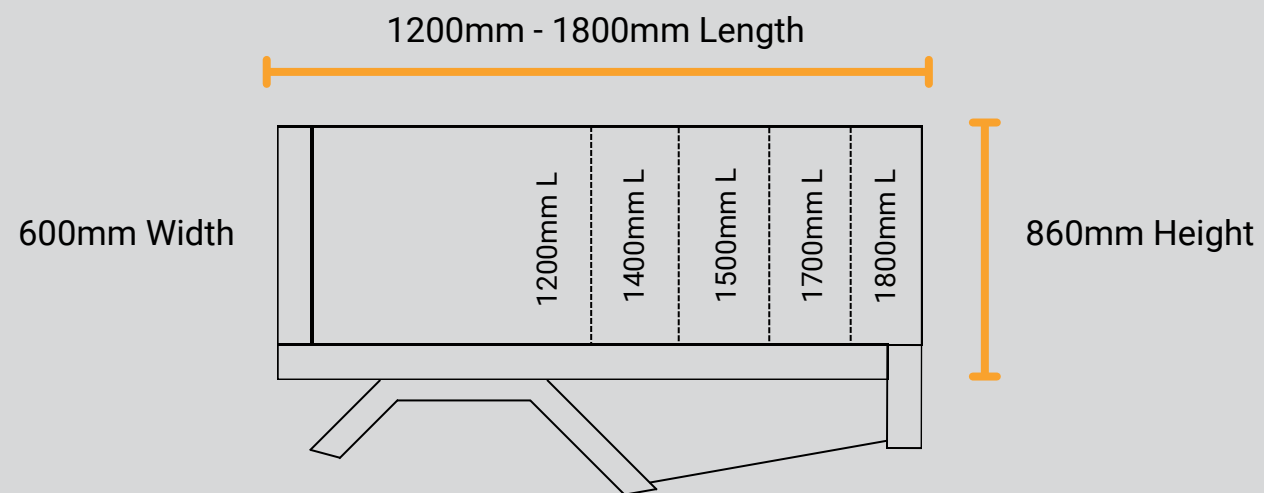
CHOOSE YOUR TOOLBOXES

TOOLBOXES SECTION

- Utilises 2.5mm 5052 Marine-Grade Thickness Aluminium
- Keeps Workspace Tidy and Easy to Categorize
- Great for Quick Access to Bulkier Equipment



SIZES AVAILABLE FOR SELECTION



FLAT PLATE TOOLBOXES



HIGH FLEXIBILITY AND EASY LOADING/UNLOADING

TOOLBOXES WITH 4 DRAWER



MULTIPLE DRAWERS FOR DIVERSE TOOLS



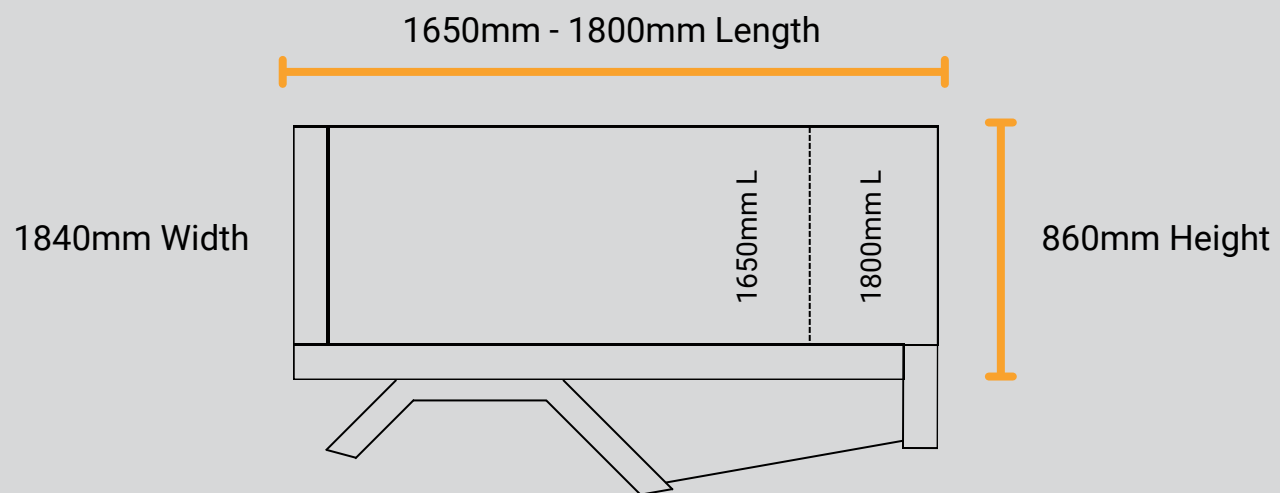
CHOOSE YOUR SERVICE BODY

SERVICE BODY SECTION

- Utilises 2.5mm 5052 Marine-Grade Thickness Aluminium
- A Chassis-Mounted Canopy Designed for Utility Vehicles
- Lightweight Design Enhances Fuel Efficiency
- Robust and Durable



SIZES AVAILABLE FOR SELECTION



CHOOSE YOUR ACCESSORIES

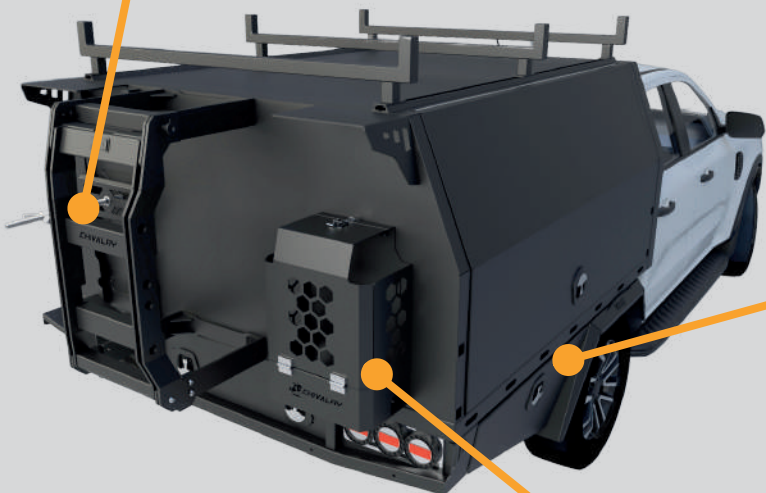


EXTERNAL ACCESSORIES SELECTION



CLIMBING FOLDING LADDER

- Size: 400mm(L)x400mm(W)x860mm(H)
- 24 Month Warranty
- Latches on Top to Lock the Folded Ladder
- Maximum Height When Folded Down 1550mm



UNDER TRAY TOOLBOXES

- Whale Tail Locks
- S/S Piano Hinge
- Full Weather & Dust Seals

LOCKABLE JERRY CAN HOLDER

- Laser Cut 3mm Aluminium
- Flat Alloy Finish
- Tap Drain Cut Outs



OVERHANG ROOF RACK

- Size: 2400mm(L)x1280mm(W)x220mm(H)
- 40mm x 40mm RHS Square Tube
- 38mm Round Tube Tie Down Bars
- 1200mm Internal
- Comes with Unistrut Channel

OPTIONAL



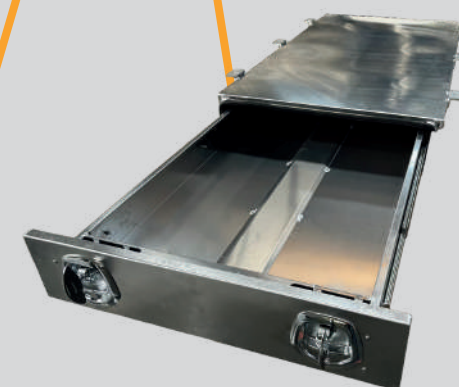
ROOF RACK

- 1400mm Wide
- Easy Fitting and Adjustable
- 40mm x 40mm RHS Square Tube



CANOPY JACK OFF LEG

- 30 x 30 Square Tube Inserts
- 1200mm Extension
- 200mm x 160mm Base
- 800kgs Rating
- Available in Any Length up to 10m
- Galvanized Steel Construction
- Collapsible for Easy Transport and Storage



TRUNDLE DRAWER

- 1700/1500/1050mm(L)
- 800mm(W)
- 200mm(H)
- 2.5mm Steel Flat Plate
- 80kgs Locking Slides
- 24 Month Warranty

SPARE WHEEL HOLDER

- 4mm Flat Plate Aluminium
- Adjustable Mounting Bracket
- Padlocking Points to Prevent Theft
- M20 Extended Wing Nut



CHOOSE YOUR X3 ACCESSORIES



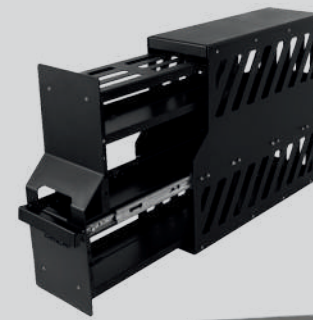
INTERNAL ACCESSORIES SELECTION

COLOR OPTIONS AVAILABLE



ALUMINIUM DRAWER UNIT

- 3mm 5052 Aluminium Flat Plate
- 150kgs Locking Slides
- 1400mm(L) or 1600mm(L)
- 600MM(W)
- 680MM(H)



ALUMINIUM PANTRY SLIDE

- 248mm(L)x630mm(W)x830mm(H)
- Elevated Base to Fit Canopies
- Angles Made to Suit
- Fitted Shelving



POWER SYSTEM

- System Voltage 12V/24V - 12V/24V
- Power Type DC to DC
- Solar Input Voltage 50 VDC
- Max. Output Current Rating 50A



ALUMINIUM DRAWER UNIT

- 650mm(L)x830mm(W)x397mm(H)
- 3mm 5052 Aluminium Flat Plate
- 150kgs Locking Slides
- Multi-Functional sliding out Bench



ROOF-MOUNTED CANOPY BASKET

- 1400mm Wide
- Easy Fitting and Adjustable
- 40mm x 40mm RHS Square Tube
- 24 Month Warranty

CHOOSE YOUR ACCESSORIES



RENOGY ONE CORE 4 INCH MONITOR

RENOGY VISION 7 INCH CONTROL TOUCH PAD

AC INPUT PLUG X 1

AC INPUT PLUG X 1



USB CHARGER SOCKETS X 2

CIG SOCKET X 1

USB CHARGER SOCKETS X 2

12V/50A BATTERY INPUT/OUTPUT PLUGS

MODEL S

AC INPUT 15A IP54

DC LOAD PLUGS X 4 (12V 10A)

DC LOAD PLUGS X 4 (12V 20A)

12V/50A BATTERY
INPUT/OUTPUT PLUGS X 2



275A ANDERSON BATTERY PLUG X 1

AC OUTPUT SOCKETS X 2





Built Tough, Designed Smart
Premium Ute Trays & Canopies for Every Job



Durability & Performance



Engineered for Strength

