



East Asia

Korea, Japan
Tel: 86-755-89973545
Fax: 86-755-89974246
Email: info@hongsbelt.com

South Asia

India, Pakistan, Bangladesh, Sri Lanka
Tel: 86-755-89973545
Fax: 86-755-89974246
Email: info@hongsbelt.com

West Asia

Jordan, Israel, Lebanon, Bahrain, Kuwait, UAE, Saudi Arabia, Armenia, Turkey
Tel: 86-755-89973545
Fax: 86-755-89974246
Email: info@hongsbelt.com

Europe

France, Italy, Netherlands, Russia, Ukraine, Poland, United Kingdom, Serbia, Belgium, Bosnia and Herzegovina, Spain, Germany, Belarus, Romania
Tel: 86-755-89973545
Fax: 86-755-89974246
Email: info@hongsbelt.com

Oceania

Australia, New Zealand
Tel: 86-755-89973545
Fax: 86-755-89974246
Email: info@hongsbelt.com

South America

Colombia, Ecuador, Peru, Brazil, Chile, Argentina, Paraguay, Uruguay, Bolivia
Tel: 86-755-89973545
Fax: 86-755-89974246
Email: info@hongsbelt.com

Southeast Asia

Thailand, Singapore, Indonesia, Philippines, Malaysia, Vietnam
Tel: 86-755-89973545
Fax: 86-755-89974246
Email: info@hongsbelt.com

North America

United States, Canada, Mexico, Dominican Republic, Guatemala, El Salvador, Costa Rica
Tel: 86-755-89973545
Fax: 86-755-89974246
Email: info@hongsbelt.com

Africa

Egypt, Morocco, South Africa, Nigeria, Algeria, Tanzania, Kenya, Ghana
Tel: 86-755-89973545
Fax: 86-755-89974246
Email: info@hongsbelt.com

HUANAN XINHAI (SHENZHEN) TECHNOLOGY CO.,LTD

Add.: F7-8, Bldg A3, LongGang Innovative Software Park
No.31 BuLan Road, LiLang, Shenzhen, China (518112)
Tel: 0086-755-89973545
Fax: 0086-755-89974246
Email: info@hongsbelt.com
Web: www.hongsbelt.com

Certification:



Conveying, Moves the World Forward!





ABOUT US

HUANAN XINHAI (SHENZHEN) TECHNOLOGY CO.,LTD is a leading high-tech company providing intelligent conveyor solutions. We have a modern industrialized manufacturing area of 35,000 square meters for the production of modular plastic belts and conveying systems solutions.

We have an R&D and innovation team consisting of more than 60 people and we hold more than 280 national authorized patents and software certifications. We developed a fully integrated industrial chain with independent core technology, key components, leading products and conveyor systems solutions. We offer over 1,500 conveyors solutions and have 2,000 sets of modular molds.

HONG'S BELT is a truly international business covering more than 80 countries and regions, with annual sales of nearly 400 Million RMB.

20 years

Modular belt products & Technical experience accumulation

1500+

Conveyor System Solutions

80+

National & Regional Services

400

Million Annual Market Sales



CONTENTS

| | | | | |
|--------------------------|----|----------------|----|-----------------|
| Foreword | 21 | HS-880-TAB-HD | 46 | HS-2600-O |
| Chains belt Introduction | 22 | HS-882 | 47 | HS-2600TAB-O |
| Application photos | 23 | HS-882TAB | 48 | HS-2600FT-O |
| High-Quality Chains Belt | 24 | HS-882TAB-EL | 49 | HS-2600FT-TAB-O |
| 1 HS-820 | 25 | HS-843 | 50 | HHS-2800-O |
| 2 HS-820-D | 26 | HS-845 | 51 | HS-2800TAB-O |
| 3 HS-820-T | 27 | HS-863 | 52 | HS-F54 |
| 4 HS-820-EL | 28 | HS-963 | 53 | HS-40/50/60P |
| 5 HS-820 VAACUM | 29 | HS-1843TAB | 54 | HS-1700 |
| 6 HS-820-mini | 30 | HS-1873T | 55 | HS-1700TAB |
| 7 HS-821 | 31 | HS-1873TAB-EL | 56 | HS-1701 |
| 8 HS-821-EL | 32 | HS-1873D | 57 | HS-1701TAB |
| 9 HS-828 | 33 | HS-1873 G4 | 58 | HS-1702 |
| 10 HS-831 | 34 | HS-1873T-GD | 59 | HS-1703-N |
| 11 HS-878-BO | 35 | HS-F3000A | 60 | HS-W1080 SS |
| 12 HS-878-BO-EL | 36 | HS-F3000A-TAB | 61 | HS-114 |
| 13 HS-880 | 37 | HS-F3000B | 62 | HS-83-3 |
| 14 HS-880M | 38 | HS-F3000B-TAB | 63 | HS-83-EL |
| 15 HS-880-EL | 39 | HS-F3000TD | 64 | HS-7100-63 |
| 16 HS-880-BO-EL | 40 | HS-1050 | 65 | HS-7100-70 |
| 17 HS-880TAB | 41 | HS-1050 TAB | 66 | HS-7100-EL |
| 18 HS-880TAB-EL | 42 | HS-1060 | 67 | HS-7100-80 |
| 19 HS-880TAB VAACUM | 43 | HS-1060A-N | 68 | HS-7100-83 |
| 20 HS-880TAB-BO | 44 | HS-1060 TAB | 69 | HS-7100-103 |
| | 45 | HS-1060A-N-TAB | 70 | HS-7100-140 |

| | |
|----|----------------|
| 71 | HS-7100-83 G1 |
| 72 | HS-7100-83 G3 |
| 73 | HS-7100-83 TD |
| 74 | HS-7100-103 G1 |
| 75 | HS-7100-103 D |
| 76 | HS-LBP 821 |
| 77 | HS-LBP 878TAB |
| 78 | HS-LBP 882TAB |
| 81 | HS-LBP 882M |

Stainless Steel Chains Belt

| | |
|----|--------------------|
| 84 | HS-915 |
| 85 | HS-915 / HS-HD 915 |
| 86 | HS-2815 |
| 87 | HS-HD 9157 |
| 88 | HS-803 |
| 89 | HS-881 |
| 90 | HS-981 |
| 91 | HS-881TAB |
| 92 | HS-981TAB |
| 93 | HS-981M |
| 94 | HS-HD 9857M |
| 95 | HS-982TAB |
| 96 | HS-915-EL |
| 97 | HS-2815-EL |

| | |
|-----|----------------|
| 98 | HS-HD 9157-EL |
| 99 | HS-981TAB-EL |
| 100 | HS-981M-EL |
| 101 | HS-HD 9857M-EL |
| 102 | HS-812 |

Sprocket Series

103-138 Sprocket

| | |
|-----|---|
| 139 | Conversion rule of system international |
| | Reference value of service temperature |

140 Common raw material properties

| | |
|---------|--|
| 141-142 | Physical performance indicators of ordinary engineering plastic products |
| 143-144 | Physical performance indicators of advanced engineering plastic products |

Foreword

About Us:

HUANAN XINHAI (SHENZHEN) TECHNOLOGY CO.,LTD ("HONG'S BELT") is a leading provider of conveyor systems and intelligent terminals based in China. Focusing on R & D and production of modular plastic belts and intelligent conveyors, our aim is to achieve innovation within the traditional manufacturing supply chain.

We provide our customers with competitive quality products, solutions and services. We supply companies involved in food production, express logistics, automotive, heavy-duty industries etc. We continue to cooperate openly with our ecological partners to ensure our manufacturing is sustainable for the future. Our mission is to create value for all of our customers around the world.

HONG'S BELT was established in 2005 and is a national high-tech enterprise. There are currently more than 400 employees and we can offer more than 1,500 modular conveyor systems, HONG'S BELT business covers more than 80 countries and has annual sales of nearly 70 Million USD.

HONG'S BELT modern industrial manufacturing area covers more than 35,000 square meters of production for modular conveying system solutions. We have passed ISO9001, ISO14001 management system certification, EU & CE product safety certification and where needed our products are FDA approved. HONG'S BELT has an R & D team consisting of over 60 people and we hold more than 280 national patents and software certifications. We developed a fully integrated industrial chain with independent core technology, key components, leading products and conveyor system solutions. Our products meet nearly all the needs of internal logistics throughout industries and enterprises.

For the future, HONG'S BELT considers the strategic plans of "Industry 4.0" & "Made in China 2025" as an opportunity. We continue to:

- improve our industrial layout
- adjust the organizational structure
- strengthen innovation capabilities
- promote the industrial strategy to a highly intelligent system, which meets the entire production system of the product, information system interconnection, network layout, meeting the needs of flexible production, etc.
- comprehensively enhance our strength in intelligent conveyor systems
- provide a strong impetus for the company's group development

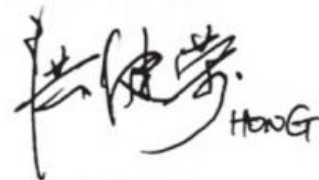
HONG'S BELT will keep maintaining the spirit of innovation, continue to serve users with new high-quality products, and promote the development of China's intelligent automation industry.

We are willing to work together with all sectors of business and society, full of enthusiasm for serving the world with technology, continuously realizing the Chinese dream!

Key projects include:

- Hong Kong-Zhuhai-Macao Bridge Chinese Customs Vehicle Safety Detection Conveyor System
- China Post Distribution Shenzhen Network Intelligent Sorting System
- SF Express South China Intelligent Heavy-duty Sorting System
- ZTO Express Matrix Sorting Centre Sorting System
- DHL Shenzhen Distribution Centre Modular Plate Turning Conveyor Project
- Arla Dairies – Milk Processing and Packaging

President of HONG'S BELT:



HONG

CHAINS BELT INTRODUCTION

Shenzhen HONGSBELT high quality plastic flat top chain series.

HONGSBELT Plastic chain could install and run on most current chain system and sprocket as well as compatible different industrial standard completely. It makes table top chain be maintained.

HONGSBELT new chain series has many tip top performances. Such as low friction coefficient, anti-chemical, anti-static, flame-proof and so on. It could be used for different industries & environment.

Packing Type:

3.048 meters per box

Product Type

- 1 Thermoplastic Flat Top Chain
- 2 Low Back Pressure Roller
- 3 Elevator Chain
- 4 Flexible Side Curve Chain
- 5 Keel Chain
- 6 Special Plastic Chain
- 7 Tooth Curve Chain

Different materials for choice

Different standards and innovative material series could meet all clients' needs.

- DP Standard POM
- LF Low Friction Coefficient POM
- PT Special Low Friction Coefficient POM (Contain lubricating material itself)
- AS Anti-static
- EC Anti-static(electrical conductivity)
- DE Suitable For Metal Detector
- PK Anti-wear (in dry and wet environment)
- WR Anti-wear (suitable for glass ware)
- NY Heat Stable Polyamide
- PP Anti-chemical
- FR Flame-proof
- MG Magnetic

Widely applied in various industries

- Beverage plant
- Bake industry
- Package plant
- Dairy production plant
- Electronics industry
- Manufacturing industry
- Automobile industry
- Logistics conveying
- Papermaking and corrugated paper

Application cases

- Beverage filling application
- Carton handling
- Container handling
- Aerosol filling
- Toilet paper handling
- Package line
- Glass ware handling

HONG'S BELT®
High-Quality Chains Belt

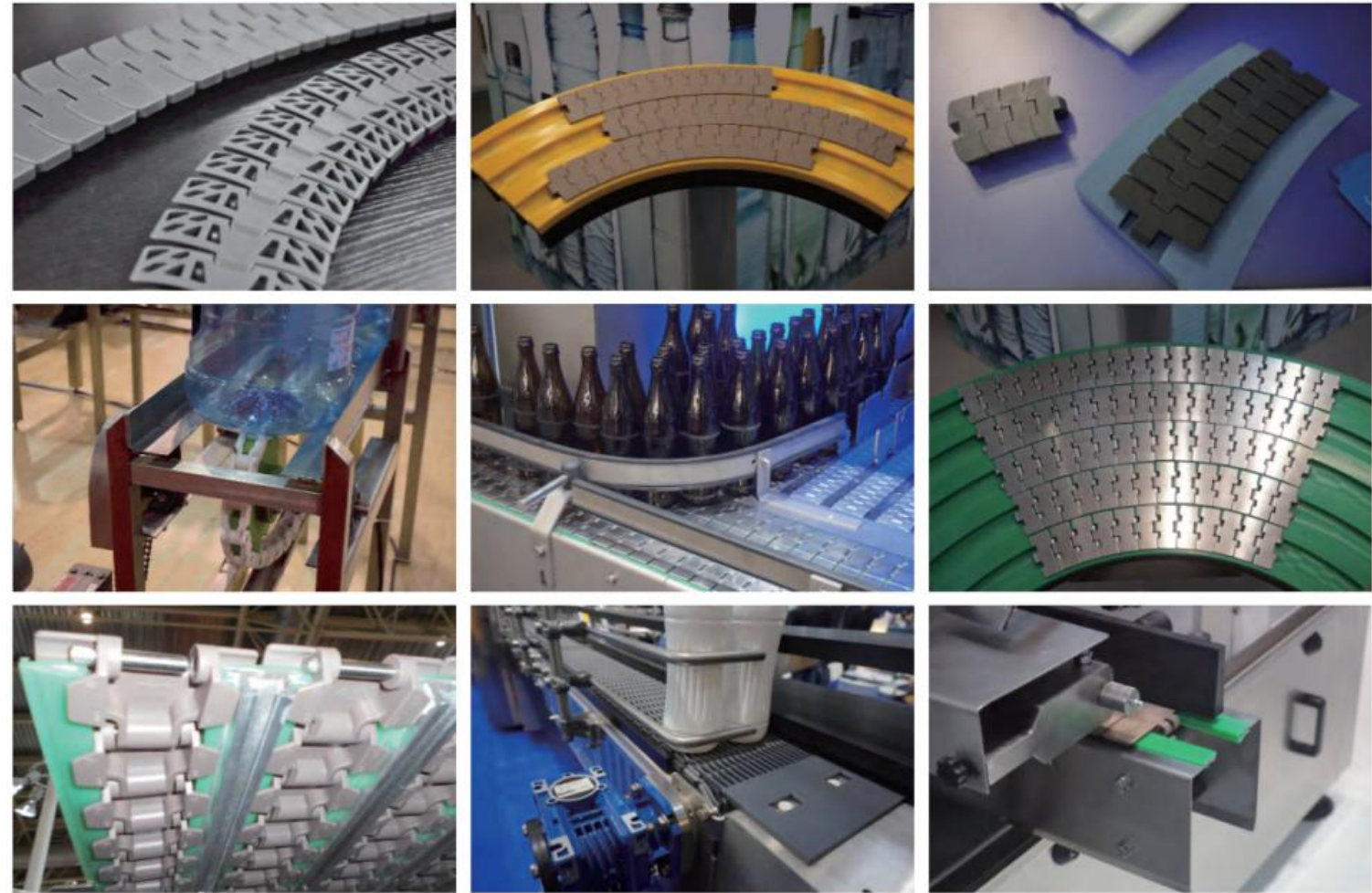
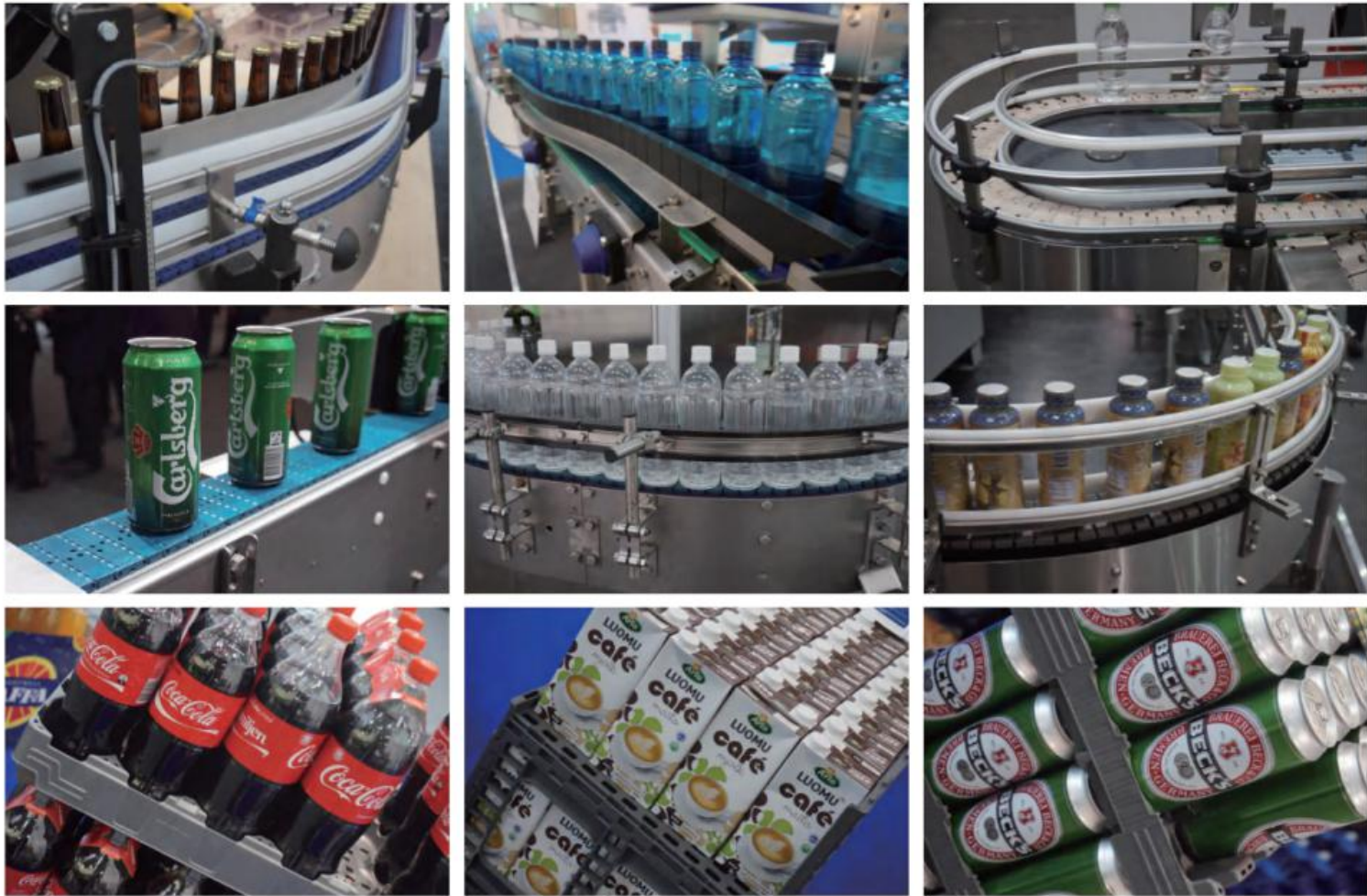


www.hongsbelt.com

HONG'S BELT®
High-Quality Chains Belt

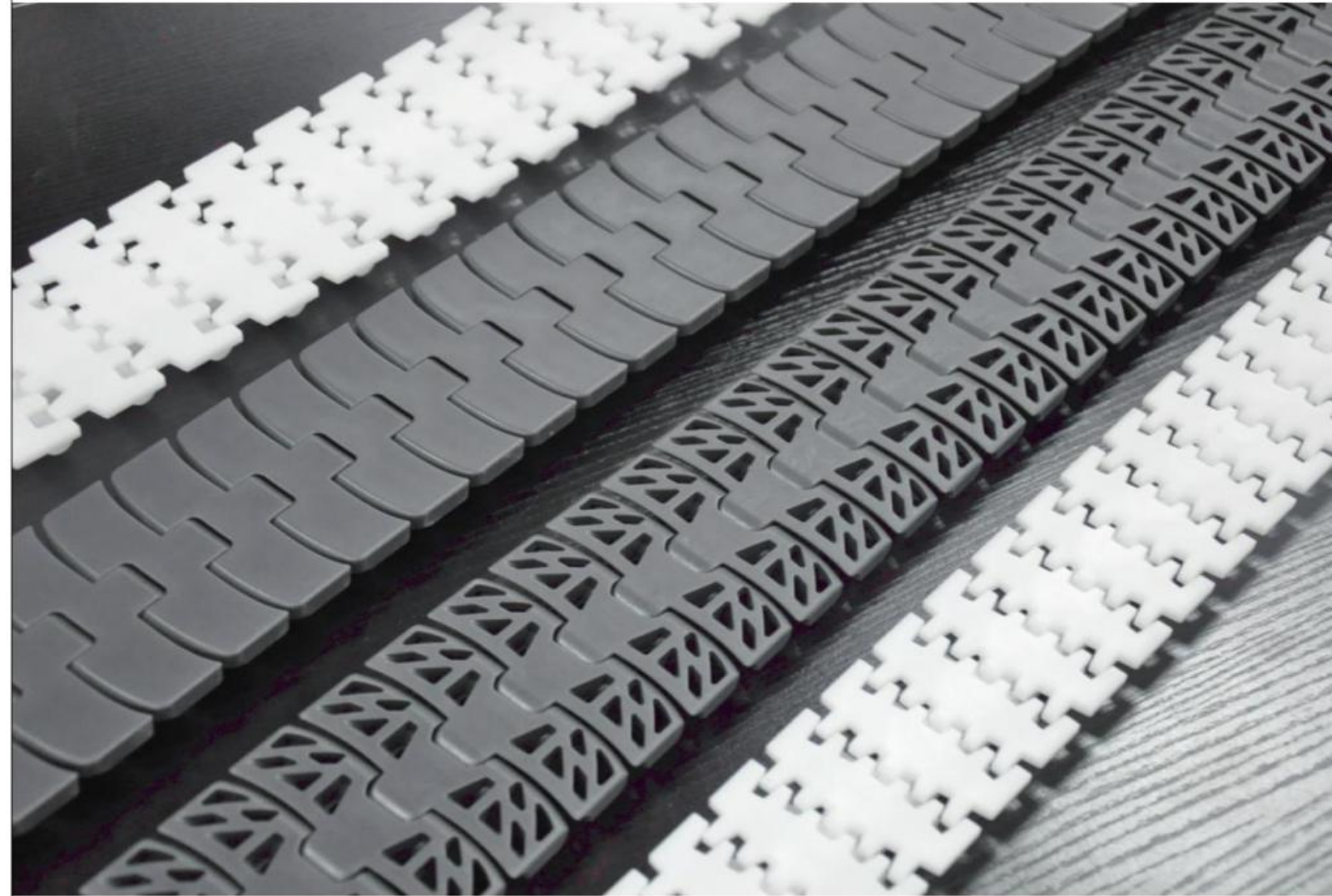


www.hongsbelt.com





HONG'S BELT HIGH-QUALITY CHAINS BELT



HS-820 SERIES

Plate Materials: POM-DP,POM-LF
Pin Material: Cold rolled austenitic stainless steel



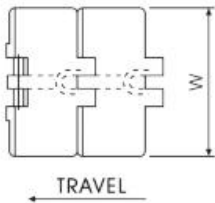
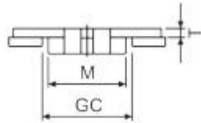
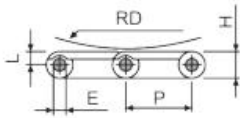
Materials



Sprockets
104~108



Applications



| Dimension | mm | inches |
|-----------|------|--------|
| P | 38.1 | 1.5 |
| M | 42.1 | 1.657 |
| L | 7.2 | 0.283 |
| H | 13.5 | 0.531 |
| E | 6.35 | 0.25 |
| T | 4.0 | 0.189 |
| RD | 50 | 1.970 |
| GC | 44.5 | 1.732 |

HS-820 (Straight Running Plastic Chain)

CHARACTERISTICS

| | Width W | | Working Load | | Radius | | Reverse Radius | | Weight (kg/m) |
|-------------|---------|--------|--------------|-----------|--------|--------|----------------|--------|------------------|
| | (mm) | (inch) | N(21°C) | lbs(21°C) | (mm) | (inch) | (mm) | (inch) | |
| HS-820 K250 | 63.5 | 2.50 | 1230 | 276 | - | - | 50 | 1.97 | 0.73 |
| HS-820 K325 | 82.6 | 3.25 | 1230 | 276 | - | - | 50 | 1.97 | 0.83 |
| HS-820 K330 | 83.8 | 3.30 | 1230 | 276 | - | - | 50 | 1.97 | 0.85 |
| HS-820 K350 | 88.9 | 3.50 | 1230 | 276 | - | - | 50 | 1.97 | 0.87 |
| HS-820 K400 | 101.6 | 4.00 | 1230 | 276 | - | - | 50 | 1.97 | 0.95 |
| HS-820 K450 | 114.3 | 4.50 | 1230 | 276 | - | - | 50 | 1.97 | 1.03 |
| HS-820 K600 | 152.4 | 6.00 | 1230 | 276 | - | - | 50 | 1.97 | 1.25 |
| HS-820 K750 | 190.5 | 7.50 | 1230 | 276 | - | - | 50 | 1.97 | 1.47 |

HS-820-D SERIES



Materials



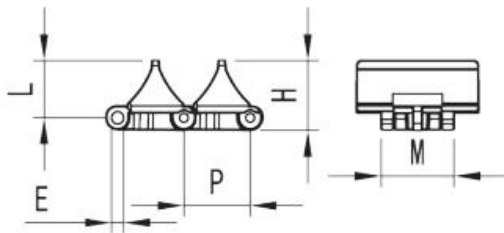
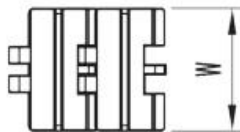
Sprockets
104~108



Applications

Plate Materials: POM-DP,POM-LF

Pin Material: Cold rolled austenitic stainless steel



| Dimension | mm | inches |
|-----------|------|--------|
| P | 37.8 | 1.488 |
| M | 41.6 | 1.638 |
| L | 32.7 | 1.287 |
| H | 40 | 1.575 |
| E | 7 | 0.276 |
| W | 70 | 2.756 |

HS-820-D (Straight Running Plastic Chain with Flight)

CHARACTERISTICS

| | Width W | | Working Load | | Radius | | Reverse Radius | | Weight (kg/m) |
|-----------------|---------|--------|--------------|-----------|--------|--------|----------------|--------|------------------|
| | (mm) | (inch) | N(21°C) | lbs(21°C) | (mm) | (inch) | (mm) | (inch) | |
| HS-820-K275-T26 | 69.9 | 2.75 | 1230 | 276 | - | - | 50 | 1.97 | 1.70 |
| HS-820-K325-T26 | 82.6 | 3.25 | 1230 | 276 | - | - | 50 | 1.97 | 1.87 |
| HS-820-K350-T26 | 88.9 | 3.50 | 1230 | 276 | - | - | 50 | 1.97 | 2.10 |
| HS-820-K400-T26 | 101.6 | 4.00 | 1230 | 276 | - | - | 50 | 1.97 | 2.35 |
| HS-820-K550-T31 | 139.7 | 5.50 | 1230 | 276 | - | - | 50 | 1.97 | 3.30 |

HS-820-T SERIES



Materials



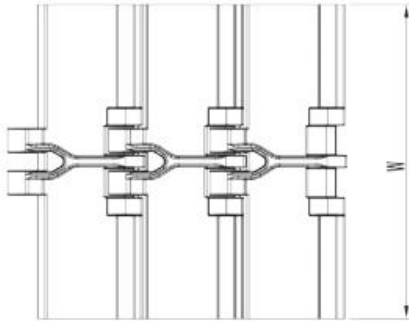
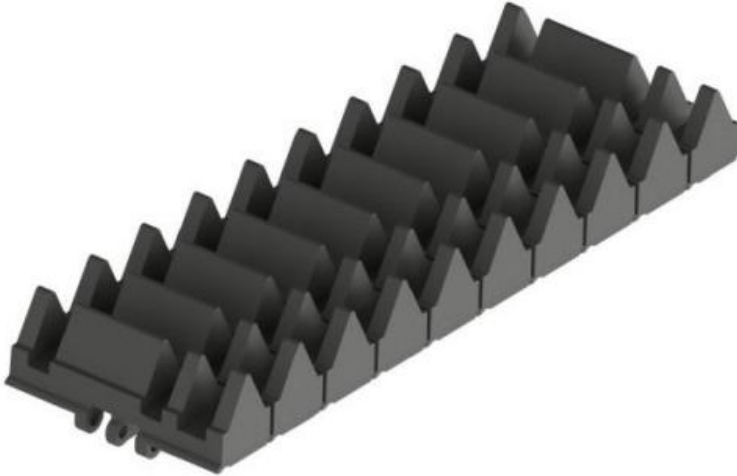
Sprockets
104~108



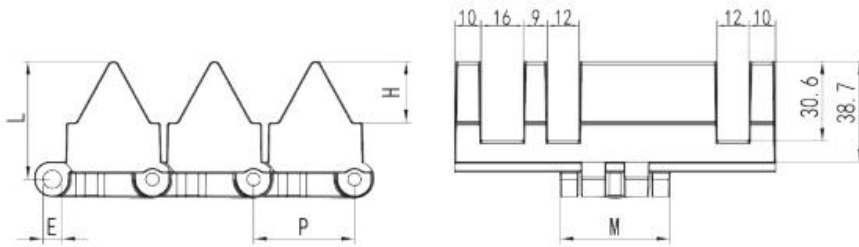
Applications

Plate Materials: POM-DP,POM-LF

Pin Material: Cold rolled austenitic stainless steel



| Dimension | mm | inches |
|-----------|-------|--------|
| P | 38.1 | 1.500 |
| M | 41.5 | 1.634 |
| L | 45.4 | 1.787 |
| H | 23.6 | 0.929 |
| E | 7.0 | 0.276 |
| W | 120.9 | 4.760 |



HS-820-T (Straight Running Plastic Chain with Flight)

CHARACTERISTICS

| | Width W | | Working Load | | Radius | | Reverse Radius | | Weight (kg/m) |
|-----------------|---------|--------|--------------|-----------|--------|--------|----------------|--------|------------------|
| | (mm) | (inch) | N(21°C) | lbs(21°C) | (mm) | (inch) | (mm) | (inch) | |
| HS-820-K476-T25 | 120.9 | 4.76 | 1230 | 276 | - | - | 50 | 1.97 | 3.95 |

HS-820-EL SERIES



Materials



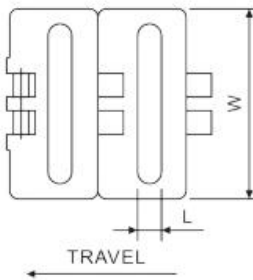
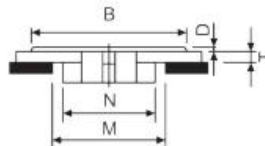
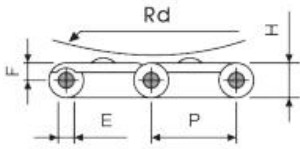
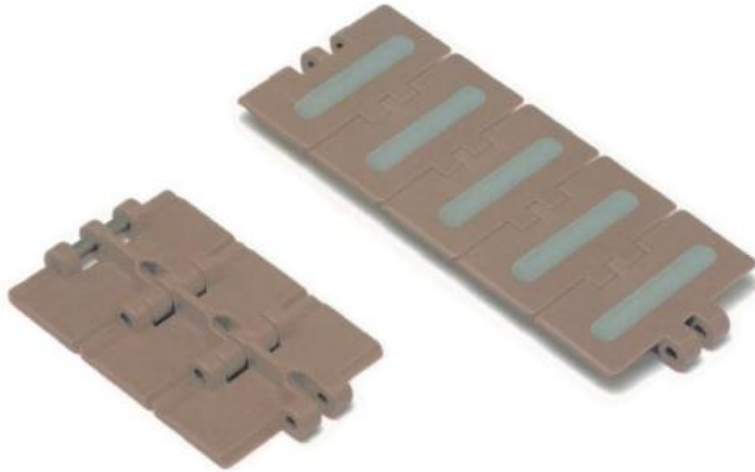
Sprockets
104-108



Applications

Plate Materials: POM-DP, POM-LF

Pin Material: Cold rolled austenitic stainless steel



| Dimension | mm | inches |
|-----------|-------|--------|
| P | 38.1 | 1.500 |
| W | - | - |
| E | 6.4 | 0.250 |
| T | 4.0 | 0.157 |
| F | 7.2 | 0.283 |
| M | 44.5 | 1.752 |
| N | 42.1 | 1.657 |
| D | 2.0 | 0.079 |
| L | 10.0 | 0.394 |
| H | 13.5 | 0.531 |
| RD | 178.0 | 7.008 |

B:65.0/101.6/114.3/135.0

HS-820-EL (Straight Running Plastic Chain)

CHARACTERISTICS

| | Width W | | Working Load | | Radius | | Reverse Radius | | Weight (kg/m) |
|----------------|---------|--------|--------------|-----------|--------|--------|----------------|--------|------------------|
| | (mm) | (inch) | N(21°C) | lbs(21°C) | (mm) | (inch) | (mm) | (inch) | |
| HS-820-K325-EL | 82.5 | 3.25 | 1230 | 276 | - | - | 40 | 1.575 | 0.83 |
| HS-820-K400-EL | 101.6 | 4.00 | 1230 | 276 | - | - | 40 | 1.575 | 0.95 |
| HS-820-K450-EL | 114.3 | 4.50 | 1230 | 276 | - | - | 40 | 1.575 | 1.03 |
| HS-820-K600-EL | 152.4 | 6.00 | 1230 | 276 | - | - | 40 | 1.575 | 1.25 |

HS-820 VACUUM SERIES

Plate Materials : POM-DP,POM-LF

Pin Material : Cold rolled austenitic stainless steel



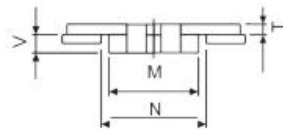
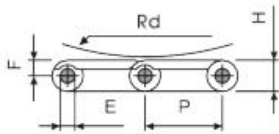
Materials



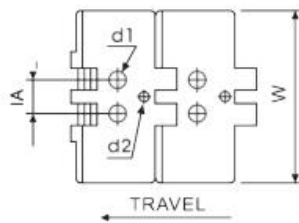
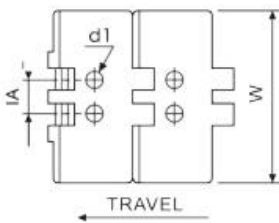
Sprockets
104-108



Applications



| Dimension | mm | inches |
|-----------|------|--------|
| P | 38.1 | 1.500 |
| W | - | - |
| H | 13.5 | 0.531 |
| T | 4.0 | 0.157 |
| E | 6.4 | 0.252 |
| M | 42.1 | 1.657 |
| F | 7.2 | 0.283 |
| V | 9.5 | 0.374 |
| N | 44.5 | 1.752 |
| RD | 40.0 | 1.575 |



HS-820 VACUUM (Straight Running Plastic Chain)

CHARACTERISTICS

| | Width W | | Working Load | | d1 | | d2 | IA | | Weight |
|--------------------|---------|--------|--------------|-----------|------|--------|------|------|--------|--------|
| | (mm) | (inch) | N(21°C) | lbs(21°C) | (mm) | (inch) | (mm) | (mm) | (inch) | (kg/m) |
| HS-820-K325 B2 | 82.5 | 3.25 | 1230 | 276 | 6.5 | 0.26 | - | 19 | 0.75 | 0.83 |
| HS-820-K350 B2 | 88.9 | 3.50 | 1230 | 276 | 4.0 | 0.16 | - | 45 | 1.77 | 0.87 |
| HS-820-K450 B2 H30 | 114.3 | 4.50 | 1230 | 276 | 8.0 | 0.31 | - | 30 | 1.18 | 1.03 |
| HS-820-K450 B2 H50 | 114.3 | 4.50 | 1230 | 276 | 8.0 | 0.31 | - | 50 | 1.97 | 1.03 |

*IA=Distance between centres.

*B1=one bore B2=two bores

HS-820-mini SERIES



Materials



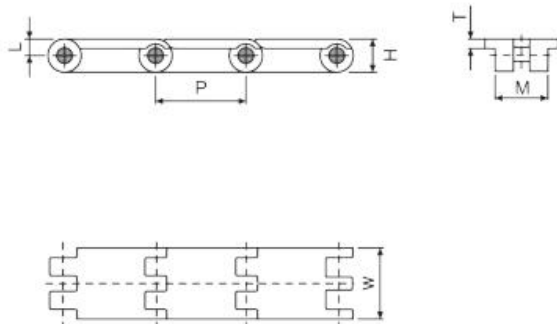
Sprockets
109



Applications

Plate Materials: POM-DP, POM-LF

Pin Material: Cold rolled austenitic stainless steel



| Dimension | mm | inches |
|-----------|------|--------|
| P | 38.1 | 1.500 |
| M | 22.0 | 0.866 |
| W | 30.0 | 1.181 |
| H | 13.8 | 0.543 |
| L | 6.8 | 0.268 |
| T | 4.0 | 0.157 |

HS-820-mini (Straight Running Plastic Chain)

CHARACTERISTICS

| | Width W | | Working Load | | Radius | | Reverse Radius | | Weight (kg/m) |
|------------------|---------|--------|--------------|-----------|--------|--------|----------------|--------|---------------|
| | (mm) | (inch) | N(21°C) | lbs(21°C) | (mm) | (inch) | (mm) | (inch) | |
| HS-820-mini-K118 | 30.0 | 1.18 | 1230 | 276 | - | - | 50 | 1.97 | 0.46 |
| HS-820-mini-K126 | 32.0 | 1.26 | 1230 | 276 | - | - | 50 | 1.97 | 0.52 |

HS-821 SERIES



Materials



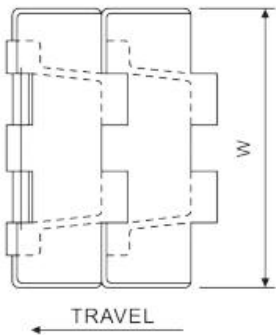
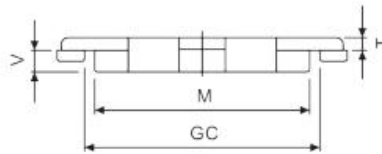
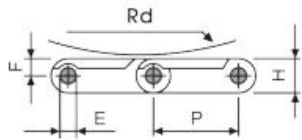
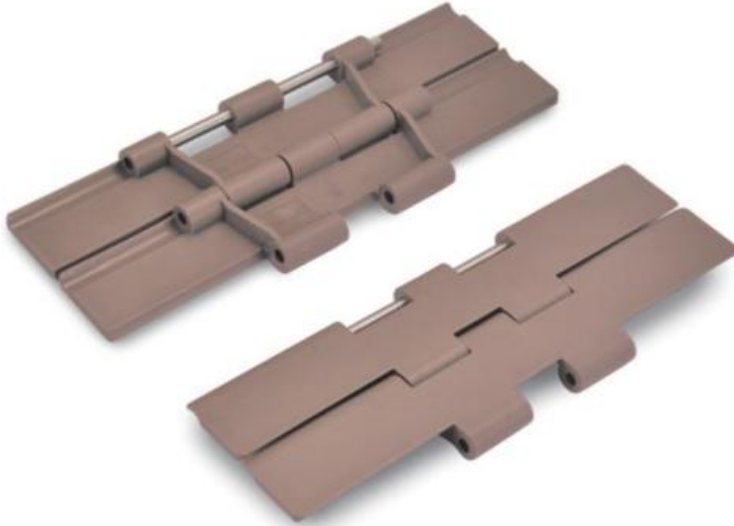
Sprockets
110-112



Applications

Plate Materials: POM-DP, POM-LF

Pin Material: Cold rolled austenitic stainless steel



| Dimension | mm | inches |
|-----------|-------|--------|
| P | 38.1 | 1.500 |
| W | - | - |
| H | 14.3 | 0.563 |
| T | 4.8 | 0.189 |
| E | 7.9 | 0.311 |
| M | 136.5 | 5.374 |
| F | 7.9 | 0.311 |
| V | 13.0 | 0.512 |
| RD | 50.0 | 1.970 |
| GC | 140.0 | 5.512 |

HS-821 (Straight Running Plastic Chain)

CHARACTERISTICS

| | Width W | | Working Load | | Radius | | Reverse Radius | | Weight (kg/m) |
|--------------|---------|--------|--------------|-----------|--------|--------|----------------|--------|------------------|
| | (mm) | (inch) | N(21°C) | lbs(21°C) | (mm) | (inch) | (mm) | (inch) | |
| HS-821-K750 | 190.5 | 7.50 | 2680 | 603 | - | - | 50 | 1.97 | 2.50 |
| HS-821-K1000 | 254.0 | 10.00 | 2680 | 603 | - | - | 50 | 1.97 | 2.95 |
| HS-821-K1200 | 304.8 | 12.00 | 2680 | 603 | - | - | 50 | 1.97 | 3.25 |

HS-821-EL SERIES



Materials



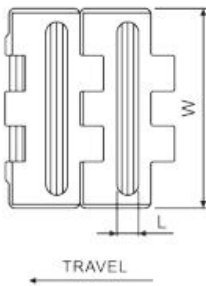
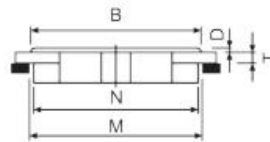
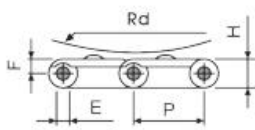
Sprockets
110~112



Applications

Plate Materials: POM-DP, POM-LF

Pin Material: Cold rolled austenitic stainless steel



| Dimension | mm | inches |
|-----------|-------|--------|
| P | 38.1 | 1.500 |
| W | - | - |
| E | 6.4 | 0.250 |
| T | 4.8 | 0.189 |
| F | 7.9 | 0.311 |
| M | 140.0 | 5.512 |
| N | 136.5 | 5.374 |
| D | 2.0 | 0.079 |
| L | 10.0 | 0.394 |
| H | 14.3 | 0.563 |
| RD | 40.0 | 1.575 |

B:132.0/195.0/245.0

HS-821-EL (Straight Running Plastic Chain)

CHARACTERISTICS

| | Width W | | Working Load | | Radius | | Reverse Radius | | Weight (kg/m) |
|-----------------|---------|--------|--------------|-----------|--------|--------|----------------|--------|---------------|
| | (mm) | (inch) | N(21°C) | lbs(21°C) | (mm) | (inch) | (mm) | (inch) | |
| HS-821-K750-EL | 190.5 | 7.50 | 2680 | 603 | - | - | 40 | 1.575 | 2.50 |
| HS-821-K1000-EL | 254.0 | 10.00 | 2680 | 603 | - | - | 40 | 1.575 | 2.95 |
| HS-821-K1200-EL | 304.8 | 12.00 | 2680 | 603 | - | - | 40 | 1.575 | 3.25 |

HS-828 SERIES

Plate Materials: POM-DP, POM-LF

Pin Material: Cold rolled austenitic stainless steel



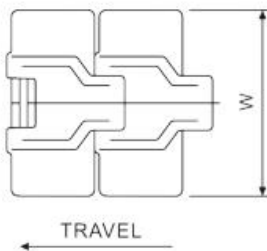
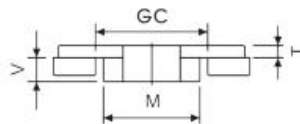
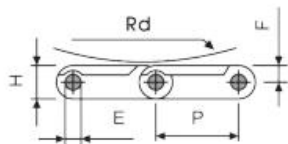
Materials



Sprockets
106~108
113/114



Applications



| Dimension | mm | inches |
|-----------|------|--------|
| P | 38.1 | 1.500 |
| W | - | - |
| H | 15.0 | 0.590 |
| T | 4.0 | 0.157 |
| E | 6.4 | 0.252 |
| M | 42.1 | 1.657 |
| F | 7.5 | 0.295 |
| V | 11.0 | 0.433 |
| RD | 50.0 | 1.969 |
| GC | 44.0 | 1.732 |

HS-828 (Straight Running Plastic Chain)

| | Width W | | Working Load | | Radius | | Reverse Radius | | Weight (kg/m) |
|-------------|---------|--------|--------------|-----------|--------|--------|----------------|--------|---------------|
| | (mm) | (inch) | N(21°C) | lbs(21°C) | (mm) | (inch) | (mm) | (inch) | |
| HS-828-K325 | 82.6 | 3.25 | 2000 | 450 | - | - | 40 | 1.575 | 1.05 |
| HS-828-K330 | 83.8 | 3.30 | 2000 | 450 | - | - | 40 | 1.575 | 1.08 |

HS-831 SERIES



Materials



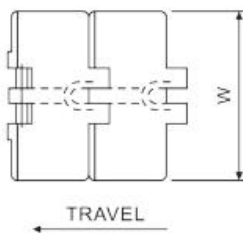
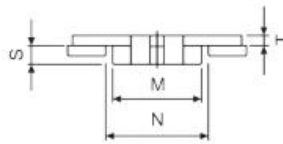
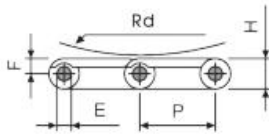
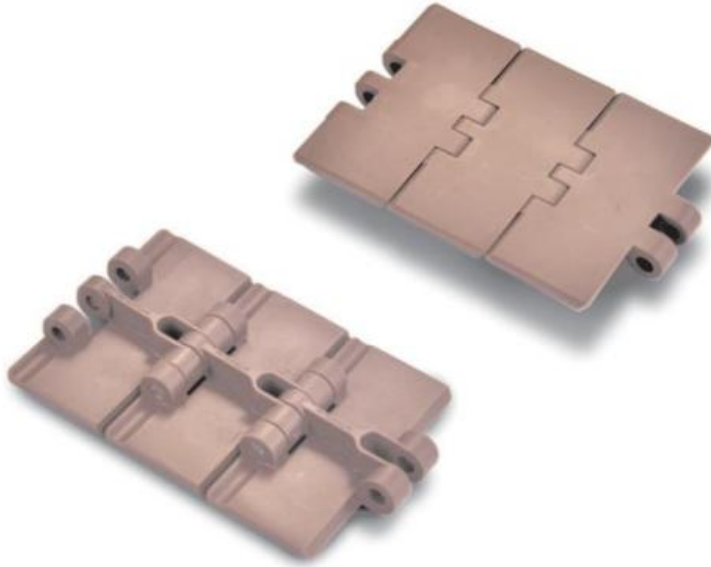
Sprockets
104~108



Applications

Plate Materials: POM-DP, POM-LF

Pin Material: Cold rolled austenitic stainless steel



| Dimension | mm | inches |
|-----------|------|--------|
| P | 38.1 | 1.500 |
| W | - | - |
| E | 6.2 | 0.200 |
| T | 4.8 | 0.157 |
| F | 7.2 | 0.563 |
| N | 44.5 | 1.434 |
| M | 42.1 | 1.343 |
| S | 8.7 | 0.469 |
| H | 13.5 | 0.496 |

HS-831 (Straight Running Plastic Chain)

CHARACTERISTICS

| | Width W | | Working Load | | Radius | | Reverse Radius | | Weight (kg/m) |
|-------------|---------|--------|--------------|-----------|--------|--------|----------------|--------|------------------|
| | (mm) | (inch) | N(21°C) | lbs(21°C) | (mm) | (inch) | (mm) | (inch) | |
| HS-831-K325 | 82.5 | 3.25 | 1230 | 277 | - | - | 50 | 1.97 | 1.00 |
| HS-831-K400 | 101.6 | 4.00 | 1230 | 277 | - | - | 50 | 1.97 | 1.15 |
| HS-831-K450 | 114.3 | 4.50 | 1230 | 277 | - | - | 50 | 1.97 | 1.24 |
| HS-831-K600 | 152.4 | 6.00 | 1230 | 277 | - | - | 50 | 1.97 | 1.51 |
| HS-831-K750 | 190.5 | 7.50 | 1230 | 277 | - | - | 50 | 1.97 | 1.76 |

HS-878-BO SERIES



Materials



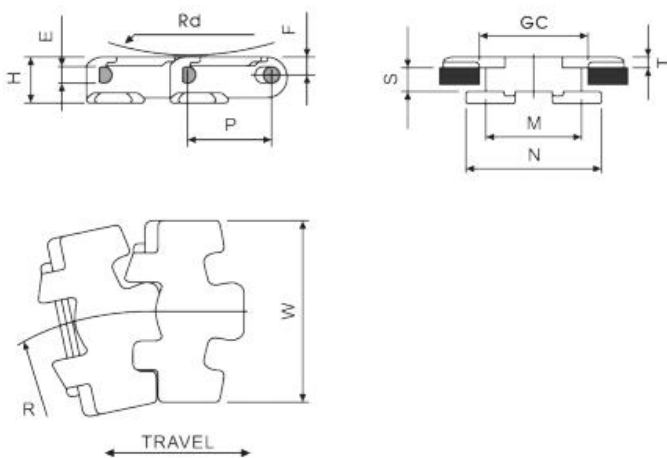
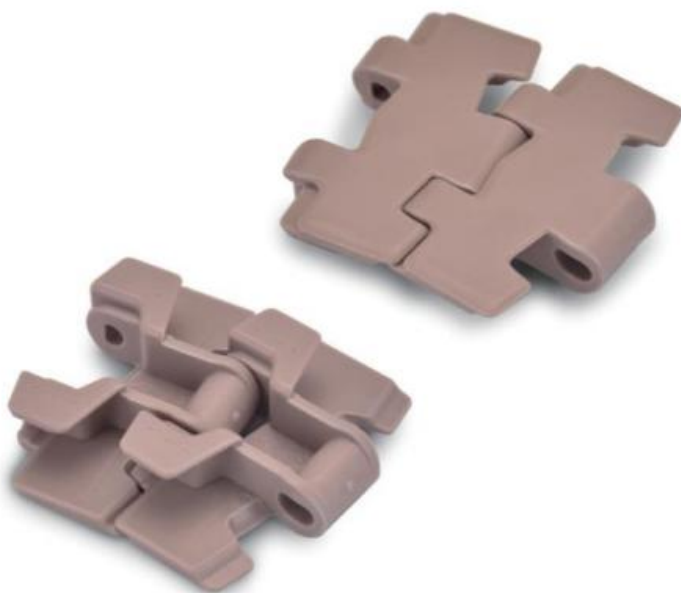
Sprockets
113-115



Applications

Plate Materials: POM-DP,POM-LF

Pin Material: Cold rolled austenitic stainless steel



| Dimension | mm | inches |
|--------------|-------|--------|
| P | 38.1 | 1.500 |
| W | - | - |
| E | 7.1 | 0.280 |
| T | 4.8 | 0.157 |
| F | 8.4 | 0.331 |
| N | 61.5 | 2.421 |
| M | 42.9 | 1.689 |
| S | 11.5 | 0.453 |
| H | 20.8 | 0.819 |
| R | 190.0 | 7.480 |
| RD | 40.0 | 1.575 |
| GC(Straight) | 46.0 | 1.811 |
| GC(Curve) | 44.2 | 1.740 |

HS-878-BO (Side Flexing Plastic Chain)

CHARACTERISTICS

| | Width W | | Working Load | | Radius | | Reverse Radius | | Weight (kg/m) |
|----------------|---------|--------|--------------|-----------|--------|--------|----------------|--------|------------------|
| | (mm) | (inch) | N(21°C) | lbs(21°C) | (mm) | (inch) | (mm) | (inch) | |
| HS-878-BO-K325 | 82.5 | 3.25 | 2100 | 472 | 190 | 7.48 | 40 | 1.575 | 1.08 |
| HS-878-BO-K450 | 114.3 | 4.50 | 2100 | 472 | 190 | 7.48 | 40 | 1.575 | 1.20 |

HS-878-BO-EL SERIES



Materials



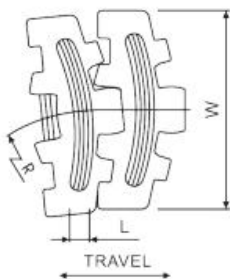
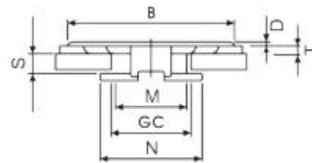
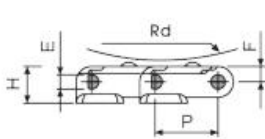
Sprockets
113~115



Applications

Plate Materials: POM-DP, POM-LF

Pin Material: Cold rolled austenitic stainless steel



| Dimension | mm | inches |
|--------------|-------|--------|
| P | 38.1 | 1.500 |
| W | - | - |
| E | 7.1 | 0.280 |
| T | 4.0 | 0.157 |
| F | 8.4 | 0.329 |
| M | 42.9 | 1.689 |
| N | 61.5 | 2.241 |
| D | 2.0 | 0.079 |
| L | 11.4 | 0.449 |
| H | 20.8 | 0.819 |
| R | 190.0 | 7.480 |
| S | 11.5 | 0.453 |
| RD | 40.0 | 1.575 |
| GC(Straight) | 46.0 | 1.811 |
| GC(Curve) | 44.2 | 1.740 |

B:132.0/195.0/246.0

HS-878-BO-EL (Side Flexing Plastic Chain)

CHARACTERISTICS

| | Width W | | Working Load | | Radius | | Reverse Radius | | Weight (kg/m) |
|-------------------|---------|--------|--------------|-----------|--------|--------|----------------|--------|---------------|
| | (mm) | (inch) | N(21°C) | lbs(21°C) | (mm) | (inch) | (mm) | (inch) | |
| HS-878-BO-K325-EL | 82.5 | 3.25 | 2100 | 472 | 190 | 7.48 | 40 | 1.575 | 1.08 |
| HS-878-BO-K450-EL | 114.5 | 4.50 | 2100 | 472 | 190 | 7.48 | 40 | 1.575 | 1.20 |

HS-880 SERIES

Plate Materials: POM-DP,POM-LF
Pin Material: Cold rolled austenitic stainless steel



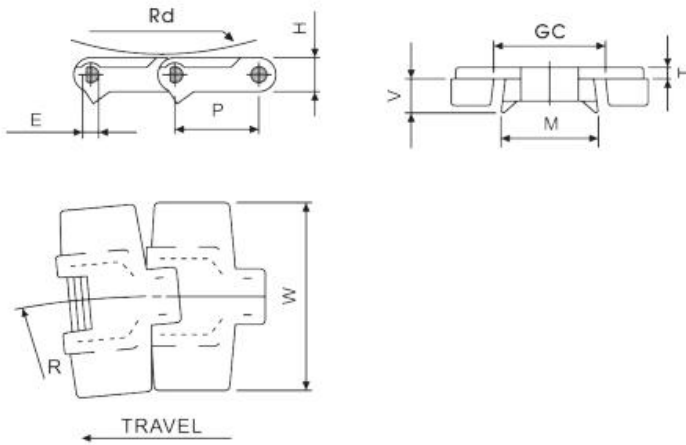
Materials



Sprockets
106~108
113~115



Applications



| Dimension | mm | inches |
|--------------|-------|--------|
| P | 38.1 | 1.500 |
| R | 400.0 | 15.748 |
| W | - | - |
| H | 20.0 | 0.787 |
| T | 4.0 | 0.157 |
| E | 7.1 | 0.280 |
| M | 42.9 | 1.689 |
| V | 16.0 | 0.630 |
| RD | 40.0 | 1.575 |
| GC(Straight) | 44.5 | 1.752 |
| GC(Curve) | 41.4 | 1.630 |

HS-880 (Side Flexing Plastic Chain)

CHARACTERISTICS

| | Width W | | Working Load | | Radius | | Reverse Radius | | Weight (kg/m) |
|-------------|---------|--------|--------------|-----------|--------|--------|----------------|--------|------------------|
| | (mm) | (inch) | N(21°C) | lbs(21°C) | (mm) | (inch) | (mm) | (inch) | |
| HS-880-K325 | 82.6 | 3.25 | 2100 | 472 | 457 | 18.00 | 40 | 1.57 | 0.89 |
| HS-880-K350 | 88.9 | 3.50 | 2100 | 472 | 457 | 18.00 | 40 | 1.57 | 0.96 |
| HS-880-K450 | 114.3 | 4.50 | 2100 | 472 | 457 | 18.00 | 40 | 1.57 | 1.04 |
| HS-880-K750 | 190.5 | 7.50 | 2100 | 472 | 457 | 18.00 | 40 | 1.57 | 1.74 |

HS-880M SERIES

Plate Materials: POM-DP,POM-LF
Pin Material: Magnetic stainless steel



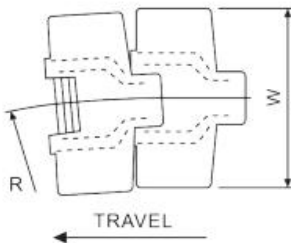
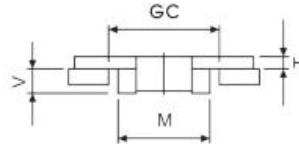
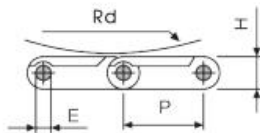
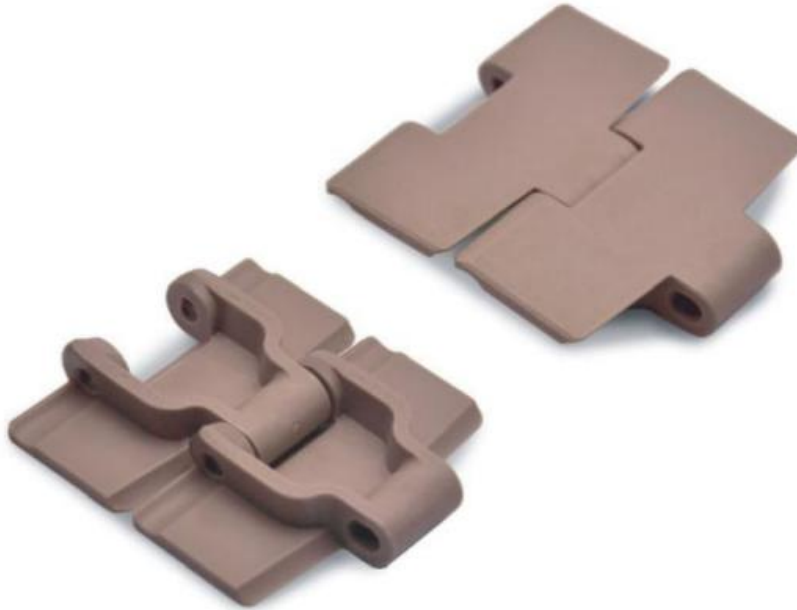
Materials



Sprockets
106-108



Applications



| Dimension | mm | inches |
|-----------|-------|--------|
| P | 38.1 | 1.500 |
| R | 400.0 | 15.748 |
| W | - | - |
| H | 15.0 | 0.591 |
| T | 4.0 | 0.157 |
| E | 7.1 | 0.280 |
| M | 42.1 | 1.657 |
| V | 11.0 | 0.433 |
| RD | 50.0 | 1.969 |
| GC | 44.0 | 1.732 |

HS-880M (Side Flexing Plastic Chain)

CHARACTERISTICS

| | Width W | | Working Load | | Radius | | Reverse Radius | | Weight (kg/m) |
|--------------|---------|--------|--------------|-----------|--------|--------|----------------|--------|---------------|
| | (mm) | (inch) | N(21°C) | lbs(21°C) | (mm) | (inch) | (mm) | (inch) | |
| HS-880M-K325 | 82.5 | 3.25 | 2100 | 472 | 500 | 19.68 | 50 | 1.97 | 1.03 |
| HS-880M-K330 | 83.8 | 3.30 | 2100 | 472 | 500 | 19.69 | 50 | 1.97 | 1.09 |
| HS-880M-K450 | 114.3 | 4.50 | 2100 | 472 | 610 | 24.00 | 50 | 1.97 | 1.16 |

HS-880-EL SERIES

Plate Materials: POM-DP,POM-LF
Pin Material: Cold rolled austenitic stainless steel



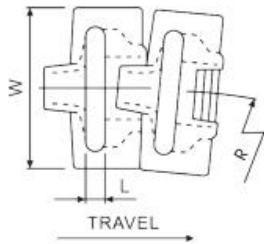
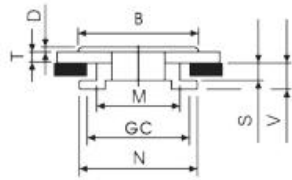
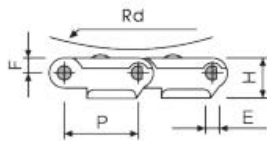
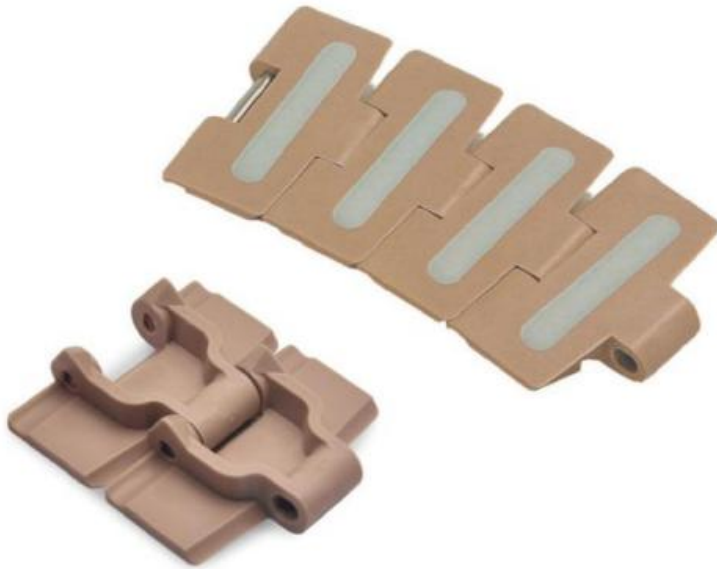
Materials



Sprockets
106~108
113~115



Applications



| Dimension | mm | inches |
|--------------|-------|--------|
| P | 38.1 | 1.500 |
| W | - | - |
| E | 7.1 | 0.280 |
| T | 4.0 | 0.157 |
| F | 7.6 | 0.300 |
| N | 61.1 | 2.406 |
| M | 42.9 | 1.689 |
| D | 2.0 | 0.079 |
| L | 10.0 | 0.394 |
| H | 20.0 | 0.787 |
| R | 400.0 | 1.575 |
| S | 11.5 | 0.453 |
| V | 16.0 | 0.630 |
| RD | 40.0 | 1.575 |
| GC(Straight) | 46.0 | 1.811 |
| GC(Curve) | 44.2 | 1.740 |

B:65 0/95 0

HS-880-EL (Side Flexing Plastic Chain)

CHARACTERISTICS

| | Width W | | Working Load | | Radius | | Reverse Radius | | Weight (kg/m) |
|----------------|---------|--------|--------------|-----------|--------|--------|----------------|--------|------------------|
| | (mm) | (inch) | N(21°C) | lbs(21°C) | (mm) | (inch) | (mm) | (inch) | |
| HS-880-K325-EL | 82.5 | 3.25 | 2100 | 472 | 457 | 18.00 | 40 | 1.575 | 0.94 |
| HS-880-K450-EL | 114.3 | 4.50 | 2100 | 472 | 500 | 19.69 | 40 | 1.575 | 1.08 |

HS-880-BO-EL SERIES



Materials



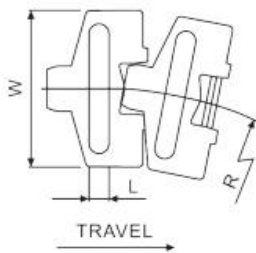
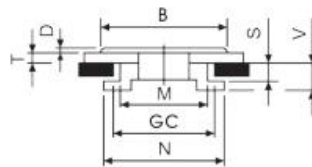
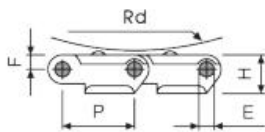
Sprockets
114~115



Applications

Plate Materials: POM-DP, POM-LF

Pin Material: Cold rolled austenitic stainless steel



| Dimension | mm | inches |
|--------------|-------|--------|
| P | 38.1 | 1.500 |
| W | - | - |
| E | 7.1 | 0.280 |
| T | 4.0 | 0.157 |
| F | 7.6 | 0.300 |
| N | 61.1 | 2.406 |
| M | 42.9 | 1.689 |
| D | 2.0 | 0.079 |
| L | 10.0 | 0.394 |
| H | 20.0 | 0.787 |
| R | 400.0 | 1.575 |
| S | 11.5 | 0.453 |
| V | 16.0 | 0.630 |
| B | 65.0 | 2.560 |
| RD | 40.0 | 1.575 |
| GC(Straight) | 46.0 | 1.811 |
| GC(Curve) | 44.2 | 1.740 |

HS-880-BO-EL (Side Flexing Plastic Chain)

CHARACTERISTICS

| | Width W | | Working Load | | Radius | | Reverse Radius | | Weight (kg/m) |
|-------------------|---------|--------|--------------|-----------|--------|--------|----------------|--------|------------------|
| | (mm) | (inch) | N(21°C) | lbs(21°C) | (mm) | (inch) | (mm) | (inch) | |
| HS-880-BO-K325-EL | 82.5 | 3.25 | 1680 | 378 | 190 | 7.48 | 40 | 1.575 | 0.96 |

HS-880TAB SERIES

Plate Materials: POM-DP, POM-LF

Pin Material: Cold rolled austenitic stainless steel



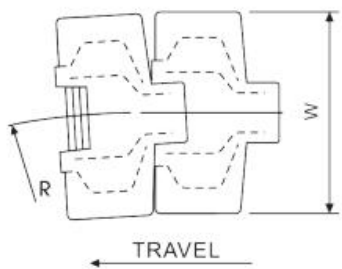
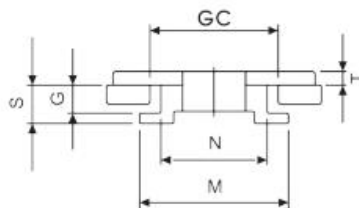
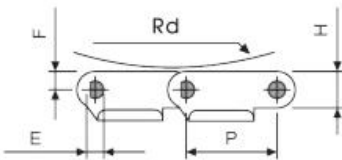
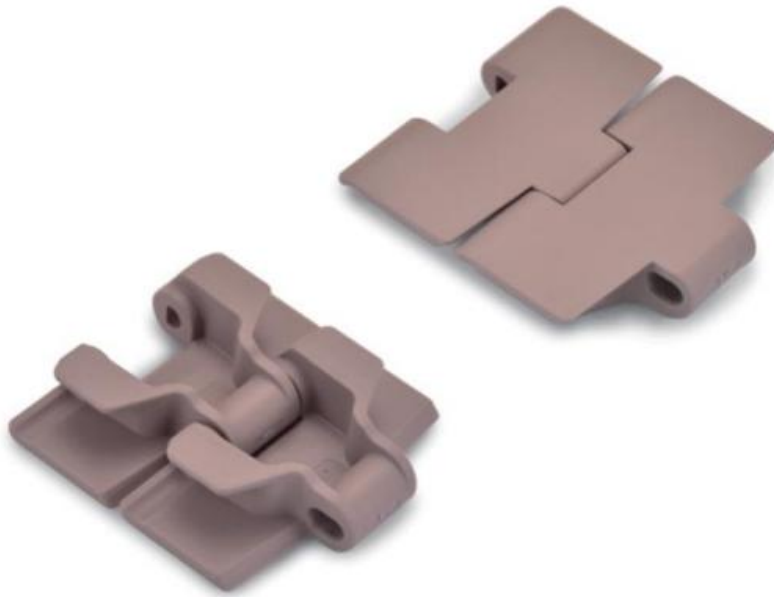
Materials



Sprockets
106-108
113-115



Applications



| Dimension | mm | inches |
|--------------|-------|--------|
| P | 38.1 | 1.500 |
| R | 400.0 | 15.748 |
| W | - | - |
| H | 20.0 | 0.787 |
| T | 4.0 | 0.157 |
| F | 7.6 | 0.300 |
| E | 7.1 | 0.280 |
| M | 61.1 | 2.406 |
| N | 42.9 | 1.689 |
| S | 16.0 | 0.630 |
| G | 11.5 | 0.453 |
| RD | 40.0 | 1.575 |
| GC(Straight) | 46.0 | 1.811 |
| GC(Curve) | 44.2 | 1.740 |

HS-880TAB (Side Flexing Plastic Chain)

CHARACTERISTICS

| | Width W | | Working Load | | Radius | | Reverse Radius | | Weight (kg/m) |
|----------------|---------|--------|--------------|-----------|--------|--------|----------------|--------|---------------|
| | (mm) | (inch) | N(21°C) | lbs(21°C) | (mm) | (inch) | (mm) | (inch) | |
| HS-880TAB-K325 | 82.5 | 3.25 | 2100 | 472 | 457 | 18.00 | 40 | 1.57 | 0.94 |
| HS-880TAB-K450 | 114.5 | 4.50 | 2100 | 472 | 500 | 19.69 | 40 | 1.57 | 1.08 |
| HS-880TAB-K600 | 152.4 | 6.00 | 2100 | 472 | 560 | 22.05 | 40 | 1.57 | 1.32 |
| HS-880TAB-K750 | 190.5 | 7.50 | 2100 | 472 | 610 | 24.00 | 40 | 1.57 | 1.35 |

HS-880TAB-EL SERIES

Plate Materials: POM-DP,POM-LF
Pin Material: Cold rolled austenitic stainless steel



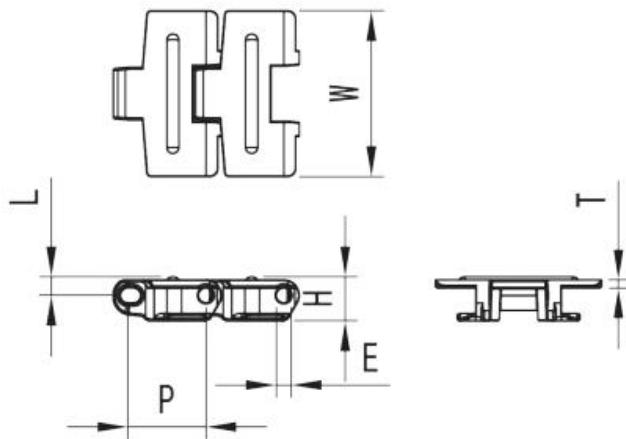
Materials



Sprockets
106~108
113~115



Applications



| Dimension | mm | inches |
|-----------|------|--------|
| P | 38.6 | 1.52 |
| M | 57.4 | 2.26 |
| L | 9.2 | 0.362 |
| E | 7.4 | 0.291 |
| T | 4 | 0.157 |
| W | 82.1 | 3.232 |
| H | 21.8 | 0.858 |

HS-880TAB-EL (Straight Running Plastic Chain)

| CHARACTERISTICS | | | | | | | | | |
|-------------------|---------|--------|--------------|-----------|--------|--------|----------------|--------|---------------|
| | Width W | | Working Load | | Radius | | Reverse Radius | | Weight (kg/m) |
| | (mm) | (inch) | N(21°C) | lbs(21°C) | (mm) | (inch) | (mm) | (inch) | |
| HS-880TAB-K325-EL | 82.6 | 3.25 | 2100 | 472 | 457.2 | 18.00 | 40 | 1.57 | 0.94 |
| HS-880TAB-K450-EL | 114.3 | 4.50 | 2100 | 472 | 609.6 | 24.00 | 40 | 1.57 | 1.09 |

HS-880TAB VACUUM SERIES



Materials



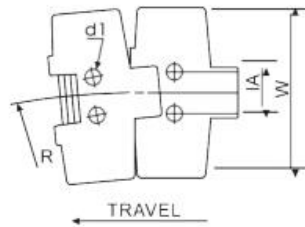
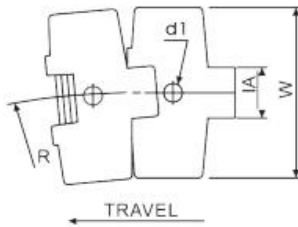
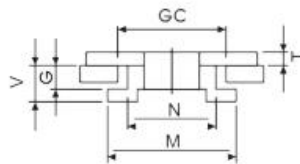
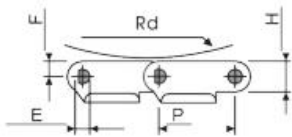
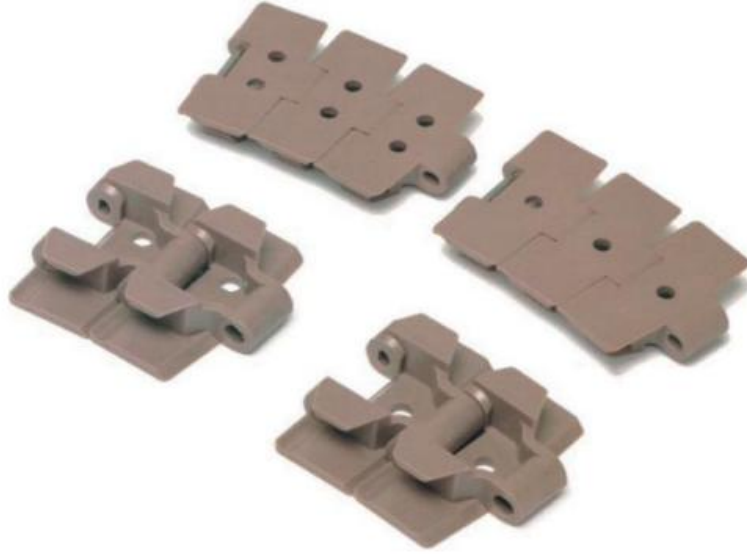
Sprockets
106-108
113-115



Applications

Plate Materials : POM-DP,POM-LF

Pin Material : Cold rolled austenitic stainless steel



| Dimension | mm | inches |
|--------------|------|--------|
| P | 38.1 | 1.500 |
| W | - | - |
| H | 20.0 | 0.787 |
| T | 4.0 | 0.157 |
| E | 6.4 | 0.281 |
| M | 61.1 | 2.406 |
| F | 7.6 | 0.300 |
| V | 11.5 | 0.453 |
| N | 42.9 | 1.689 |
| RD | 40.0 | 1.575 |
| GC(Straight) | 46.0 | 1.812 |
| GC(Curve) | 44.2 | 1.740 |

HS-880TAB VACUUM (Side Flexing Plastic Chain)

CHARACTERISTICS

| | Width W | | Working Load | | d1 | R | IA | Weight | | |
|-------------------|---------|--------|--------------|-----------|----------|-----|-------|--------|------|------|
| | (mm) | (inch) | N(21°C) | lbs(21°C) | | | | | | |
| HS-880TAB-K325 B1 | 82.5 | 3.25 | 2100 | 472 | 5/6/6.5 | 457 | 17.99 | - | - | 0.94 |
| | | | | | 8/9.5/10 | | | | | |
| HS-828TAB-K325 B2 | 82.5 | 3.25 | 2100 | 472 | 6/8 | 457 | 17.99 | 24/20 | 0.95 | 0.94 |
| HS-828TAB-K450 B2 | 114.3 | 4.50 | 2100 | 472 | 6 | 457 | 17.99 | 24 | 0.95 | 1.08 |

*IA=Distance between centres.

*B1=one bore B2=two bores

HS-880TAB-BO SERIES



Materials



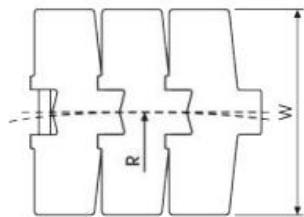
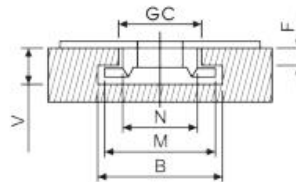
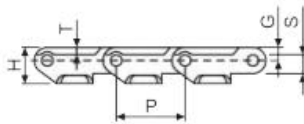
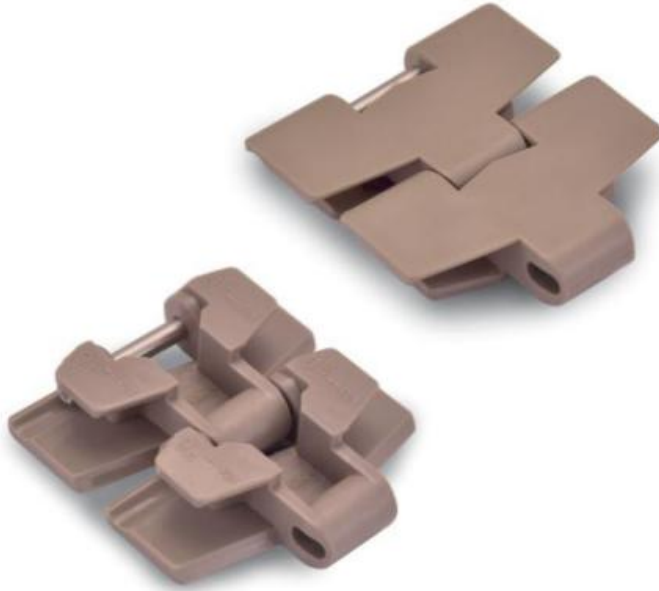
Sprockets
114/115



Applications

Plate Materials: POM-DP, POM-LF

Pin Material: Cold rolled austenitic stainless steel



| Dimension | mm | inches |
|--------------|-------|--------|
| P | 38.1 | 1.500 |
| R | 190.0 | 7.480 |
| W | - | - |
| H | 20.0 | 0.787 |
| T | 4.0 | 0.157 |
| F | 10.0 | 0.394 |
| N | 43.0 | 1.693 |
| M | 62.0 | 2.441 |
| S | 12.0 | 0.472 |
| G | 7.6 | 0.299 |
| B | 70.0 | 2.756 |
| V | 18.0 | 0.709 |
| GC(Straight) | 46.0 | 1.811 |
| GC(Curve) | 44.2 | 1.740 |

HS-880TAB-BO (Side Flexing Plastic Chain)

CHARACTERISTICS

| | Width W | | Working Load | | Radius | | Reverse Radius | | Weight (kg/m) |
|-------------------|---------|--------|--------------|-----------|--------|--------|----------------|--------|------------------|
| | (mm) | (inch) | N(21°C) | lbs(21°C) | (mm) | (inch) | (mm) | (inch) | |
| HS-880TAB-BO-K325 | 82.5 | 3.25 | 1680 | 378 | 200 | 7.87 | 40 | 1.57 | 0.94 |
| HS-880TAB-BO-K450 | 114.3 | 4.50 | 1680 | 378 | 200 | 7.87 | 40 | 1.57 | 1.11 |

HS-880TAB-HD SERIES



Materials



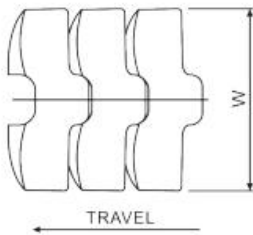
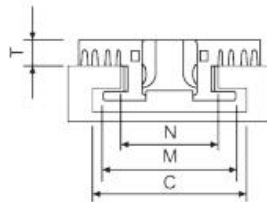
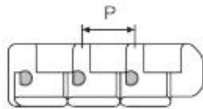
Sprockets
120/121



Applications

Plate Materials : POM-DP, POM-LF

Pin Material : Cold rolled austenitic stainless steel



| Dimension | mm | inches |
|-----------|-------|--------|
| P | 25.65 | 1.010 |
| W | 114.3 | 4.500 |
| T | 8.8 | 0.346 |
| M | 61.5 | 2.421 |
| N | 45.0 | 1.771 |
| C | 61.2 | 2.409 |

HS-880TAB-HD (Side Flexing Plastic Chain)

CHARACTERISTICS

| | Width W | | Working Load | | Radius | | Reverse Radius | | Weight (kg/m) |
|-------------------|---------|--------|--------------|-----------|--------|--------|----------------|--------|---------------|
| | (mm) | (inch) | N(21°C) | lbs(21°C) | (mm) | (inch) | (mm) | (inch) | |
| HS-880TAB-HD-K450 | 114.3 | 4.50 | 1890 | 425 | 500 | 19.69 | 140 | 5.51 | 2.04 |

HS-882 SERIES



Materials



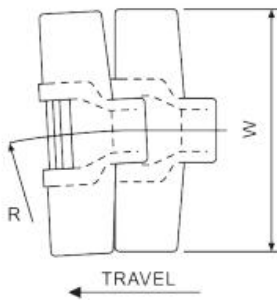
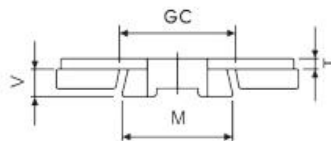
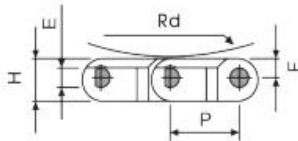
Sprockets
116-118



Applications

Plate Materials: POM-DP,POM-LF

Pin Material: Cold rolled austenitic stainless steel



| Dimension | mm | inches |
|--------------|-------|--------|
| P | 38.1 | 1.500 |
| R | 610.0 | 24.016 |
| W | - | - |
| H | 22.3 | 0.878 |
| T | 4.8 | 0.189 |
| E | 8.7 | 0.343 |
| M | 61.1 | 2.406 |
| F | 9.5 | 0.374 |
| V | 17.5 | 0.689 |
| RD | 40.0 | 1.574 |
| GC(Straight) | 61.9 | 2.437 |
| GC(Curve) | 58.0 | 2.283 |

HS-882 (Side Flexing Plastic Chain)

CHARACTERISTICS

| | Width W | | Working Load | | Radius | | Reverse Radius | | Weight (kg/m) |
|--------------|---------|--------|--------------|-----------|--------|--------|----------------|--------|---------------|
| | (mm) | (inch) | N(21°C) | lbs(21°C) | (mm) | (inch) | (mm) | (inch) | |
| HS-882-K450 | 114.5 | 4.50 | 3830 | 860 | 610 | 24.00 | 40 | 1.575 | 1.94 |
| HS-882-K750 | 190.5 | 7.50 | 3830 | 860 | 610 | 24.00 | 40 | 1.575 | 2.38 |
| HS-882-K1000 | 254.0 | 10.00 | 3830 | 860 | 610 | 24.00 | 40 | 1.575 | 2.83 |
| HS-882-K1200 | 304.8 | 12.00 | 3830 | 860 | 610 | 24.00 | 40 | 1.575 | 2.75 |

HS-882TAB SERIES



Materials



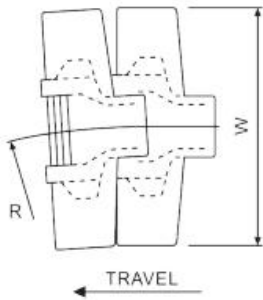
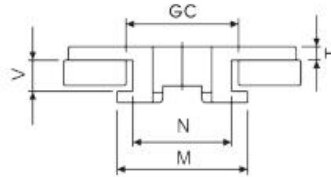
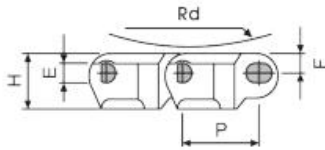
Sprockets
116~118



Applications

Plate Materials: POM-DP,POM-LF

Pin Material: Cold rolled austenitic stainless steel



| Dimension | mm | inches |
|--------------|-------|--------|
| P | 38.1 | 1.500 |
| R | 610.0 | 24.016 |
| W | - | - |
| H | 27.0 | 1.063 |
| T | 4.8 | 0.189 |
| E | 8.7 | 0.343 |
| M | 76.2 | 3.000 |
| F | 9.5 | 0.374 |
| N | 57.2 | 2.252 |
| V | 17.0 | 0.669 |
| RD | 40.0 | 1.574 |
| GC(Straight) | 60.0 | 2.362 |
| GC(Curve) | 58.0 | 2.283 |

HS-882TAB (Side Flexing Plastic Chain)

CHARACTERISTICS

| | Width W | | Working Load | | Radius | | Reverse Radius | | Weight (kg/m) |
|-----------------|---------|--------|--------------|------------|--------|--------|----------------|--------|---------------|
| | (mm) | (inch) | N(21°C) | lbs (21°C) | (mm) | (inch) | (mm) | (inch) | |
| HS-882TAB-K450 | 114.3 | 4.50 | 3830 | 860 | 609.6 | 24.00 | 40 | 1.57 | 2.05 |
| HS-882TAB-K600 | 152.4 | 6.00 | 3830 | 860 | 609.6 | 24.00 | 40 | 1.57 | 2.10 |
| HS-882TAB-K750 | 190.5 | 7.50 | 3830 | 860 | 609.6 | 24.00 | 40 | 1.57 | 2.47 |
| HS-882TAB-K1000 | 254.0 | 10.00 | 3830 | 860 | 609.6 | 24.00 | 40 | 1.57 | 2.87 |
| HS-882TAB-K1200 | 304.8 | 12.00 | 3830 | 860 | 609.6 | 24.00 | 40 | 1.57 | 3.41 |

HS-882TAB-EL SERIES



Materials



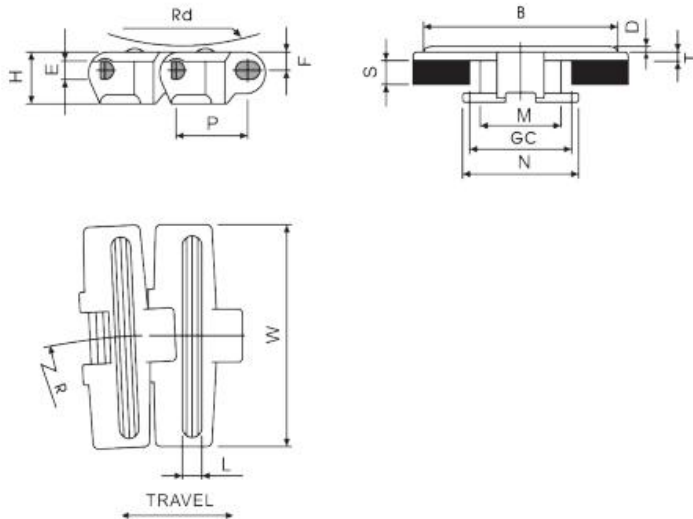
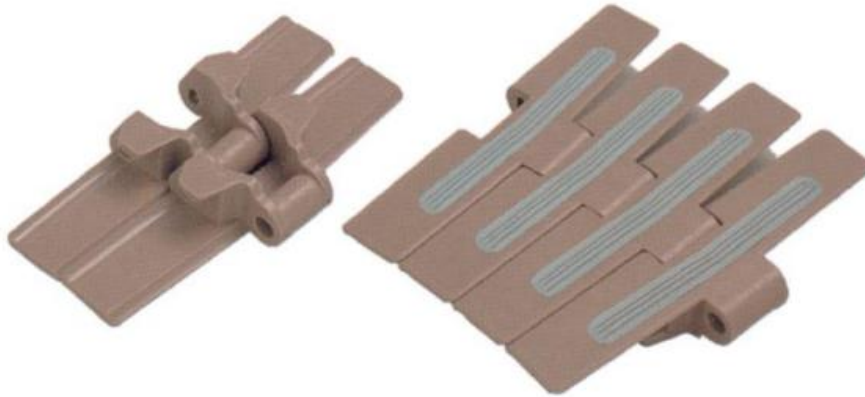
Sprockets
116-118



Applications

Plate Materials: POM-DP, POM-LF

Pin Material: Cold rolled austenitic stainless steel



| Dimension | mm | inches |
|--------------|-------|--------|
| P | 38.1 | 1.500 |
| W | - | - |
| E | 8.7 | 0.343 |
| T | 4.0 | 0.157 |
| F | 9.5 | 0.374 |
| M | 57.2 | 2.252 |
| N | 76.2 | 3.000 |
| D | 2.0 | 0.079 |
| L | 11.0 | 0.433 |
| H | 27.0 | 1.063 |
| R | 610.0 | 24.016 |
| S | 17.0 | 0.670 |
| RD | 40.0 | 1.575 |
| GC(Straight) | 60.0 | 2.362 |
| GC(Curve) | 58.2 | 2.283 |

B:132.0/195.0/246.0

HS-882TAB-EL (Side Flexing Plastic Chain)

CHARACTERISTICS

| | Width W | | Working Load | | Radius | | Reverse Radius | | Weight (kg/m) |
|--------------------|---------|--------|--------------|-----------|--------|--------|----------------|--------|------------------|
| | (mm) | (inch) | N(21°C) | lbs(21°C) | (mm) | (inch) | (mm) | (inch) | |
| HS-882TAB-K750-EL | 190.5 | 7.50 | 3830 | 860 | 610 | 24.00 | 40 | 1.575 | 2.43 |
| HS-882TAB-K1000-EL | 254.0 | 10.00 | 3830 | 860 | 610 | 24.00 | 40 | 1.575 | 2.87 |
| HS-882TAB-K1200-EL | 304.8 | 12.00 | 3830 | 860 | 610 | 24.00 | 40 | 1.575 | 3.41 |

HS-843 SERIES



Materials



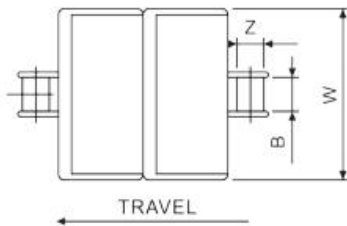
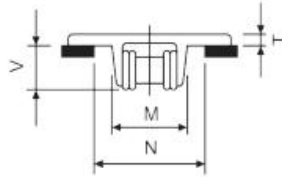
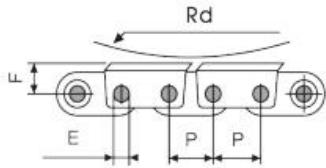
Sprockets
119



Applications

Plate Materials: POM-DP, POM-LF

Base Chain Material: Carbon steel, Stainless steel



| Dimension | mm | inches |
|-----------|-------|--------|
| P | 12.7 | 0.500 |
| W | - | - |
| E | 4.0 | 0.147 |
| T | 3.2 | 0.126 |
| F | 9.1 | 0.358 |
| N | 23.8 | 0.937 |
| M | 20.6 | 0.787 |
| Z | 8.0 | 0.315 |
| B | 8.0 | 0.453 |
| V | 11.5 | 0.453 |
| RD | 153.0 | 6.024 |

HS-843 (Straight Running Plastic Chain)

CHARACTERISTICS

| | Width W | | Working Load | | Radius | | Reverse Radius | | Weight (kg/m) |
|-------------|---------|--------|--------------|-----------|--------|--------|----------------|--------|---------------|
| | (mm) | (inch) | N(21°C) | lbs(21°C) | (mm) | (inch) | (mm) | (inch) | |
| HS-843-K138 | 35.1 | 1.38 | 2700 | 608 | - | - | 153 | 6.0 | 0.83 |
| HS-843-K144 | 36.5 | 1.44 | 2700 | 608 | - | - | 153 | 6.0 | 0.84 |
| HS-843-K200 | 50.8 | 2.00 | 2700 | 608 | - | - | 153 | 6.0 | 0.89 |
| HS-843-K275 | 69.9 | 2.75 | 2700 | 608 | - | - | 153 | 6.0 | 0.92 |
| HS-843-K325 | 82.5 | 3.25 | 2700 | 608 | - | - | 153 | 6.0 | 1.03 |

*The above tensile force is for Carbon steel, Please consult our engineer for that of Stainless steel.

HS-845 SERIES



Materials



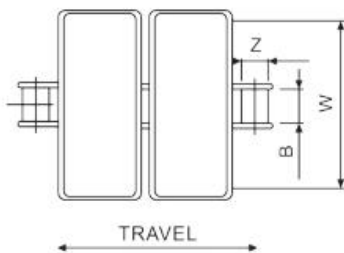
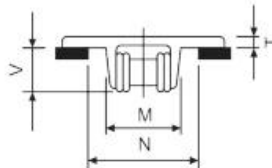
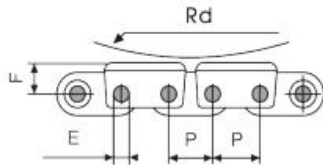
Sprockets
119



Applications

Plate Materials: POM-DP, POM-LF

Base Chain Material: Carbon steel, Stainless steel



| Dimension | mm | inches |
|-----------|-------|--------|
| P | 12.7 | 0.500 |
| W | - | - |
| E | 4.0 | 0.147 |
| T | 3.2 | 0.126 |
| F | 9.1 | 0.358 |
| N | 23.8 | 0.937 |
| M | 20.6 | 0.787 |
| Z | 8.0 | 0.315 |
| B | 8.0 | 0.453 |
| V | 11.5 | 0.453 |
| RD | 458.0 | 18.031 |

HS-845 (Straight Running Plastic Chain)

CHARACTERISTICS

| | Width W | | Working Load | | Radius | | Reverse Radius | | Weight (kg/m) |
|-------------|---------|--------|--------------|-----------|--------|--------|----------------|--------|---------------|
| | (mm) | (inch) | N(21°C) | lbs(21°C) | (mm) | (inch) | (mm) | (inch) | |
| HS-845-K118 | 30.0 | 1.18 | 3500 | 788 | - | - | 458 | 18.0 | 0.85 |
| HS-845-K138 | 35.1 | 1.38 | 3500 | 788 | - | - | 458 | 18.0 | 0.89 |
| HS-845-K200 | 50.8 | 2.00 | 3500 | 788 | - | - | 458 | 18.0 | 0.99 |

*The above tensile force is for Carbon steel, Please consult our engineer for that of Stainless steel.

HS-863 SERIES



Materials



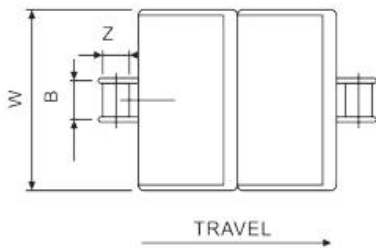
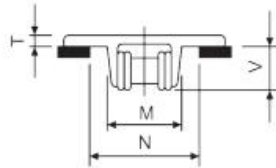
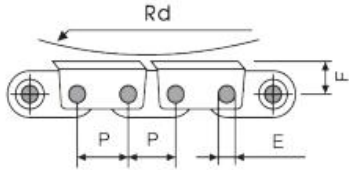
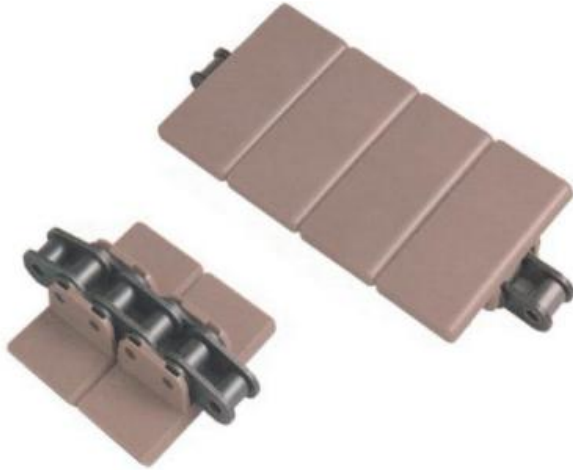
Sprockets
119



Applications

Plate Materials: POM-DP, POM-LF

Base Chain Material: Carbon steel, Stainless steel



| Dimension | mm | inches |
|-----------|-------|--------|
| P | 19.1 | 0.750 |
| W | - | - |
| E | 6.0 | 0.236 |
| T | 4.0 | 0.157 |
| F | 14.3 | 0.563 |
| N | 36.5 | 1.434 |
| M | 34.1 | 1.343 |
| Z | 11.9 | 0.469 |
| B | 12.6 | 0.496 |
| V | 19.0 | 0.748 |
| RD | 153.0 | 6.024 |

HS-863 (Straight Running Plastic Chain)

CHARACTERISTICS

| | Width W | | Working Load | | Radius | | Reverse Radius | | Weight (kg/m) |
|-------------|---------|--------|--------------|-----------|--------|--------|----------------|--------|---------------|
| | (mm) | (inch) | N(21°C) | lbs(21°C) | (mm) | (inch) | (mm) | (inch) | |
| HS-863-K175 | 44.5 | 1.75 | 5000 | 1125 | - | - | 153 | 6.0 | 1.902 |
| HS-863-K250 | 63.5 | 2.50 | 5000 | 1125 | - | - | 153 | 6.0 | .002. |
| HS-863-K325 | 82.5 | 3.25 | 5000 | 1125 | - | - | 153 | 6.0 | 102. |
| HS-863-K450 | 114. | 4.50 | 5000 | 1125 | - | - | 153 | 6.0 | 302. |
| HS-863-K600 | 3152. | 6.00 | 5000 | 1125 | - | - | 153 | 6.0 | 502. |
| HS-863-K750 | 4190.5 | 7.50 | 5000 | 1125 | - | - | 153 | 6.0 | 70 |

*The above tensile force is for Carbon steel, Please consult our engineer for that of Stainless steel.

HS-963 SERIES



Materials



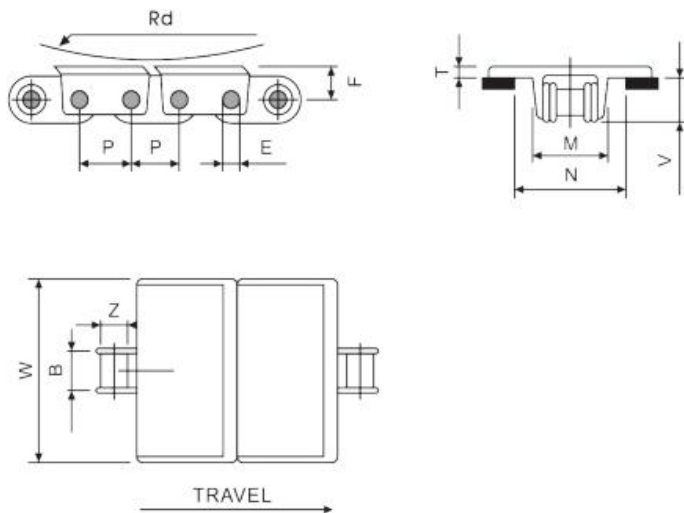
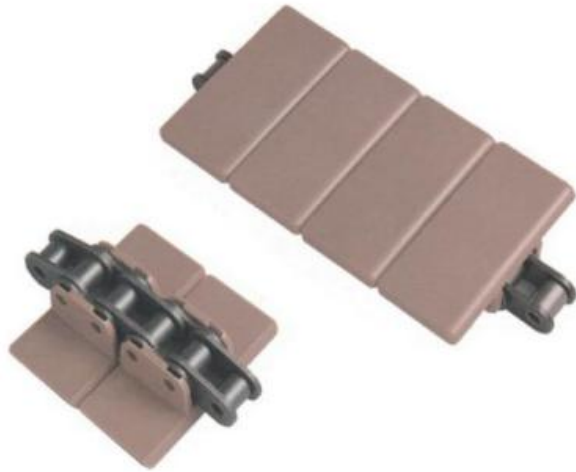
Sprockets



Applications

Plate Materials: POM-DP, POM-LF

Base Chain Material: Carbon steel, Stainless steel



| Dimension | mm | inches |
|-----------|-------|--------|
| P | 19.1 | 0.750 |
| W | - | - |
| E | 5.1 | 0.200 |
| T | 4.0 | 0.157 |
| F | 14.3 | 0.563 |
| N | 36.5 | 1.434 |
| M | 34.1 | 1.343 |
| Z | 11.9 | 0.469 |
| B | 12.6 | 0.496 |
| V | 19.0 | 0.748 |
| RD | 153.0 | 6.024 |

HS-963 (Straight Running Plastic Chain)

| | Width W | | Working Load | | Radius | | Reverse Radius | | Weight (kg/m) |
|-------------|---------|--------|--------------|-----------|--------|--------|----------------|--------|---------------|
| | (mm) | (inch) | N(21°C) | lbs(21°C) | (mm) | (inch) | (mm) | (inch) | |
| HS-963-K325 | 82.5 | 3.25 | 4500 | 1014 | - | - | 153 | 6.0 | 2.10 |
| HS-963-K450 | 114.3 | 4.50 | 4500 | 1014 | - | - | 153 | 6.0 | 2.23 |
| HS-963-K600 | 152.4 | 6.00 | 4500 | 1014 | - | - | 153 | 6.0 | 2.53 |
| HS-963-K750 | 190.5 | 7.50 | 4500 | 1014 | - | - | 153 | 6.0 | 2.68 |

*The above tensile force is for Carbon steel, Please consult our engineer for that of Stainless steel.

HS-1843TAB SERIES



Materials



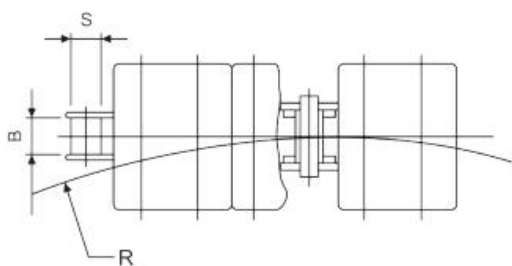
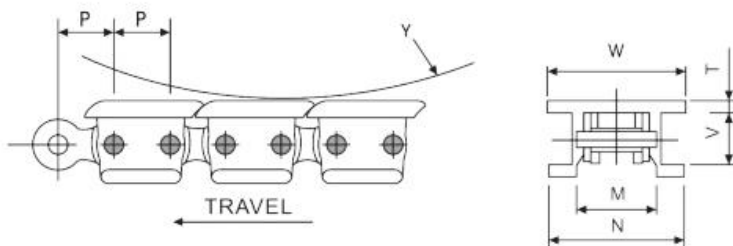
Sprockets
119



Applications

Plate Materials: POM-DP, POM-LF

Base Chain Material: Carbon steel, Stainless steel



| Dimension | mm | inches |
|-----------|-------|--------|
| P | 12.7 | 0.500 |
| W | - | - |
| Y | 50.0 | 1.969 |
| T | 3.2 | 0.126 |
| N | 20.0 | 0.787 |
| M | 31.0 | 1.220 |
| S | 8.0 | 0.315 |
| B | 7.9 | 0.311 |
| V | 11.0 | 0.433 |
| R | 254.0 | 10.000 |

HS-1843 (Side Flexing Plastic Chain)

CHARACTERISTICS

| | Width W (mm) | (inch) | Working Load N(21°C) | lbs(21°C) | Radius (mm) | (inch) | Reverse Radius (mm) | (inch) | Weight (kg/m) |
|--------------------|-----------------|--------|-------------------------|-----------|----------------|--------|------------------------|--------|------------------|
| HS-1843TAB-K125 | 31.8 | 1.25 | 2700 | 608 | 254 | 10 | 50 | 2.0 | 0.74 |
| HS-1843TAB-K200 | 50.8 | 2.00 | 2700 | 608 | 254 | 10 | 50 | 2.0 | 0.89 |
| HS-1843TAB SS-K125 | 31.8 | 1.25 | 2700 | 608 | 254 | 10 | 50 | 2.0 | 0.74 |
| HS-1843TAB SS-K200 | 50.8 | 2.00 | 2700 | 608 | 254 | 10 | 50 | 2.0 | 0.89 |

*The above tensile force is for Carbon steel. Please consult our engineer for that of Stainless steel.

HS-1873T SERIES



Materials



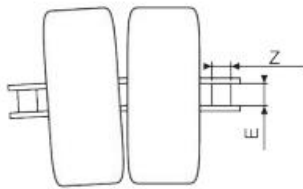
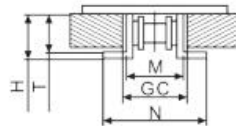
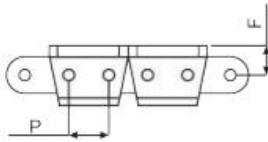
Sprockets
119



Applications

Plate Materials: POM-DP, POM-LF

Base Chain Material: Carbon steel, Stainless steel



| Dimension | mm | inches |
|--------------|-------|--------|
| P | 19.05 | 0.750 |
| M | 32.0 | 1.260 |
| Z | 11.91 | 0.459 |
| H | 24.5 | 0.965 |
| T | 20.6 | 0.787 |
| F | 14.3 | 0.563 |
| N | 55.0 | 2.165 |
| E | 12.7 | 0.472 |
| GC(Straight) | 33.3 | 1.311 |
| GC(Curve) | 34.6 | 1.362 |

HS-1873T (Side Flexing Plastic Chain)

CHARACTERISTICS

| | Width W | | Working Load | | Radius | | Reverse Radius | | Weight (kg/m) |
|----------------|---------|--------|--------------|-----------|--------|--------|----------------|--------|---------------|
| | (mm) | (inch) | N(21°C) | lbs(21°C) | (mm) | (inch) | (mm) | (inch) | |
| HS-1873T-K325 | 82.6 | 3.25 | 3400 | 765 | 356 | 14.0 | 305 | 24.0 | 2.33 |
| HS-1873T-K450 | 114.3 | 4.50 | 3400 | 765 | 356 | 14.0 | 305 | 24.0 | 2.49 |
| HS-1873T-K600 | 152.4 | 6.00 | 3400 | 765 | 475 | 18.0 | 305 | 24.0 | 2.64 |
| HS-1873T-K750 | 190.5 | 7.50 | 3400 | 765 | 475 | 18.0 | 305 | 24.0 | 2.79 |
| HS-1873T-K1000 | 254.0 | 10.00 | 3400 | 765 | 475 | 18.0 | 305 | 24.0 | 3.01 |
| HS-1873T-K1200 | 304.8 | 12.00 | 3400 | 765 | 610 | 24.0 | 305 | 24.0 | 3.23 |

*The above tensile force is for Carbon steel, Please consult our engineer for that of Stainless steel.

HS-1873TAB-EL SERIES



Materials



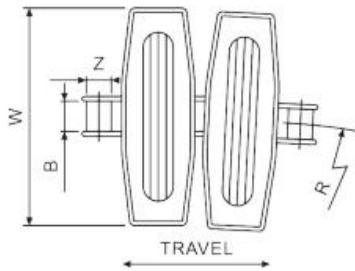
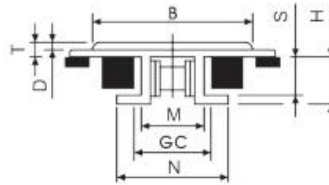
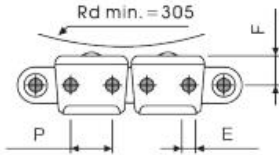
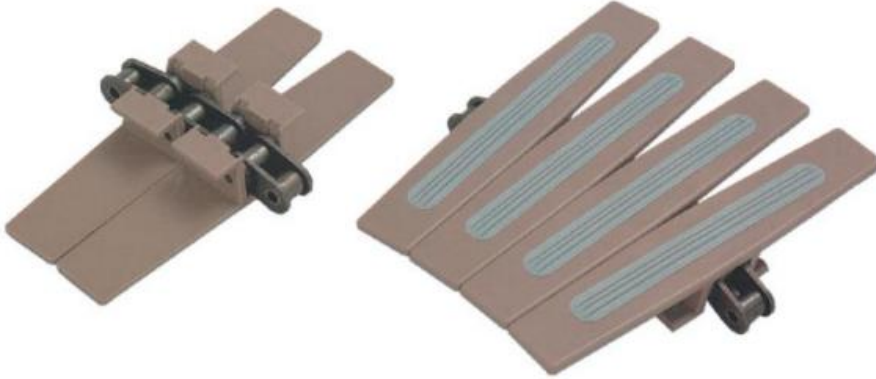
Sprockets
119



Applications

Plate Materials: POM-DP, POM-LF

Base Chain Material: Carbon steel, Stainless steel



| Dimension | mm | inches |
|--------------|-------|--------|
| P | 19.1 | 0.750 |
| W | - | - |
| E | 5.1 | 0.200 |
| T | 4.2 | 0.165 |
| F | 14.3 | 0.563 |
| M | 31.8 | 1.252 |
| N | 57.2 | 2.250 |
| D | 2.0 | 0.079 |
| B | 12.7 | 0.500 |
| H | 25.4 | 1.000 |
| R | 457.0 | 17.992 |
| S | 20.6 | 0.811 |
| Z | 11.9 | 0.469 |
| RD | 305.0 | 12.008 |
| GC(Straight) | 33.3 | 1.311 |
| GC(Curve) | 34.6 | 1.362 |

HS-1873TAB-EL (Side Flexing Plastic Chain)

B:132.0/195.0/245.0

CHARACTERISTICS

| | Width W | | Working Load | | Radius | | Reverse Radius | | Weight (kg/m) |
|---------------------|---------|--------|--------------|-----------|--------|--------|----------------|--------|------------------|
| | (mm) | (inch) | N(21°C) | Ubf(21°C) | (mm) | (inch) | (mm) | (inch) | |
| HS-1873TAB-K750-EL | 190.5 | 7.50 | 3400 | 765 | 457 | 18.0 | 305 | 24.0 | 3.10 |
| HS-1873TAB-K1000-EL | 254.0 | 10.00 | 3400 | 765 | 457 | 18.0 | 305 | 24.0 | 3.40 |
| HS-1873TAB-K1200-EL | 304.8 | 12.00 | 3400 | 765 | 457 | 18.0 | 305 | 24.0 | 3.60 |

*The above tensile force is for Carbon steel, Please consult our engineer for that of Stainless steel.

HS-1873D SERIES



Materials



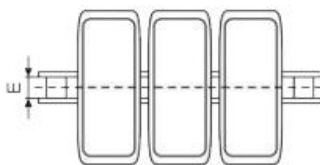
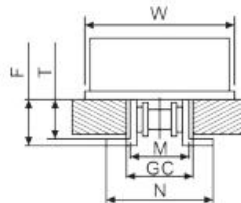
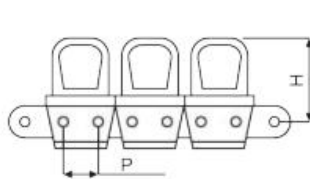
Sprockets
119



Applications

Plate Materials: POM-DP, POM-LF

Base Chain Material: Carbon steel, Stainless steel



| Dimension | mm | inches |
|--------------|-------|--------|
| P | 19.05 | 0.750 |
| M | 32.0 | 1.260 |
| W | - | - |
| H | 42.6 | 1.654 |
| T | 20.6 | 0.787 |
| F | 24.5 | 0.965 |
| N | 55.0 | 2.165 |
| E | 12.7 | 0.472 |
| GC(Straight) | 33.3 | 1.311 |
| GC(Curve) | 34.9 | 1.374 |

HS-1873D (Side Flexing Plastic Chain)

CHARACTERISTICS

| | Width W | | Working Load | | Radius | | Reverse Radius | | Weight (kg/m) |
|---------------|---------|--------|--------------|-----------|--------|--------|----------------|--------|------------------|
| | (mm) | (inch) | N(21°C) | lbs(21°C) | (mm) | (inch) | (mm) | (inch) | |
| HS-1873D-K325 | 82.6 | 3.25 | 3400 | 765 | 356 | 14.0 | 305 | 24.0 | 2.90 |
| HS-1873D-K450 | 114.3 | 4.50 | 3400 | 765 | 356 | 14.0 | 305 | 24.0 | 3.50 |
| HS-1873D-K600 | 152.4 | 6.00 | 3400 | 765 | 457 | 18.0 | 305 | 24.0 | 4.10 |
| HS-1873D-K750 | 190.5 | 7.50 | 3400 | 765 | 457 | 18.0 | 305 | 24.0 | 4.50 |

*The above tensile force is for Carbon steel, Please consult our engineer for that of Stainless steel.

HS-1873G4 SERIES



Materials



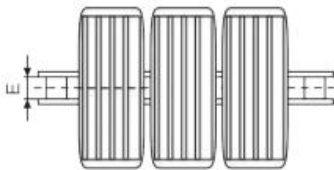
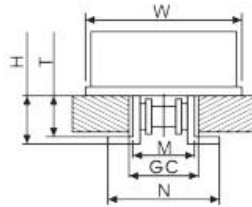
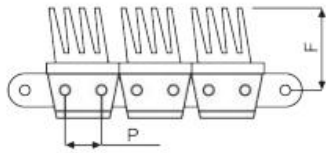
Sprockets
119



Applications

Plate Materials: POM-DP, POM-LF

Base Chain Material: Carbon steel, Stainless steel



| Dimension | mm | inches |
|--------------|-------|--------|
| P | 19.05 | 0.750 |
| M | 32.0 | 1.260 |
| W | - | - |
| H | 24.5 | 0.965 |
| T | 20.6 | 0.787 |
| F | 44.0 | 1.732 |
| N | 53.8 | 2.087 |
| E | 12.7 | 0.472 |
| GC(Straight) | 33.3 | 1.311 |
| GC(Curve) | 34.6 | 1.362 |

HS-1873G4 (Side Flexing Plastic Chain)

CHARACTERISTICS

| | Width W | | Working Load | | Radius | | Reverse Radius | | Weight (kg/m) |
|----------------|---------|--------|--------------|-----------|--------|--------|----------------|--------|------------------|
| | (mm) | (inch) | N(21°C) | lbs(21°C) | (mm) | (inch) | (mm) | (inch) | |
| HS-1873G4-K325 | 82.6 | 3.25 | 3400 | 765 | 356 | 14.0 | 305 | 24.0 | 3.00 |
| HS-1873G4-K450 | 114.3 | 4.50 | 3400 | 765 | 356 | 14.0 | 305 | 24.0 | 3.40 |

*The above tensile force is for Carbon steel, Please consult our engineer for that of Stainless steel.

*Standard Length: 10ft/Box (10ft=3.048M=160 pitches=80 Flights)

HS-1873T-GD SERIES



Materials



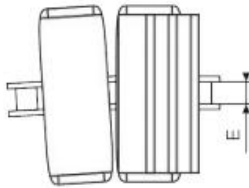
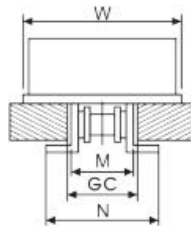
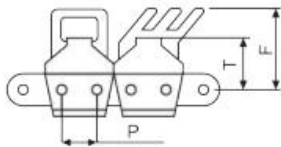
Sprockets
119



Applications

Plate Materials: POM-DP, POM-LF

Base Chain Material: Carbon steel, Stainless steel



| Dimension | mm | inches |
|--------------|-------|--------|
| P | 19.05 | 0.750 |
| M | 32.0 | 1.260 |
| W | 95.3 | 3.750 |
| T | 28.6 | 1.126 |
| F | 44.4 | 1.748 |
| N | 56.5 | 2.224 |
| E | 12.7 | 0.472 |
| GC(Straight) | 34.1 | 1.343 |
| GC(Curve) | 34.9 | 1.374 |

HS-1873T-GD (Side Flexing Plastic Chain)

CHARACTERISTICS

| | Width W | | Working Load | | Radius | | Reverse Radius | | Weight (kg/m) |
|--------------------|---------|--------|--------------|-----------|--------|--------|----------------|--------|------------------|
| | (mm) | (inch) | N(21°C) | lbs(21°C) | (mm) | (inch) | (mm) | (inch) | |
| HS-1873TAB-GD K375 | 95.3 | 3.75 | 3400 | 765 | 381 | 15.0 | 305 | 24.0 | 2.24 |
| HS-1873TAB-GJ K375 | 95.3 | 3.75 | 3400 | 765 | 356 | 14.0 | 305 | 24.0 | 2.80 |

*The above tensile force is for Carbon steel, Please consult our engineer for that of Stainless steel.

HS-F3000A SERIES



Materials



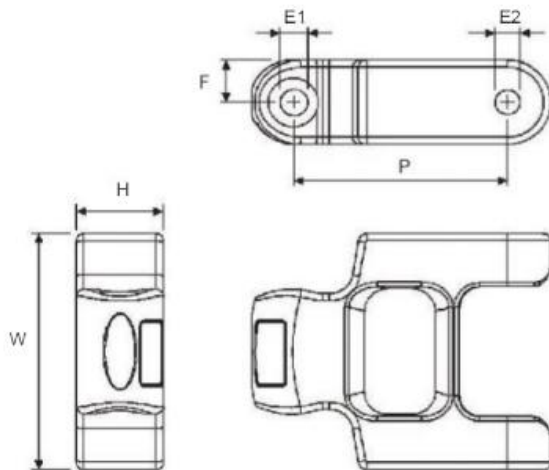
Sprockets
138



Applications

Plate Materials: POM-DP,POM-LF

Pin Material: Cold rolled austenitic stainless steel



| Dimension | mm | inches |
|-----------|------|--------|
| P | 50.4 | 1.984 |
| F | 10.2 | 0.401 |
| W | 57.4 | 2.260 |
| H | 20.5 | 0.807 |
| E1 | 6.5 | 0.256 |
| E2 | 6.0 | 0.236 |

HS-F3000 (Straight Running Knuckle Chain)

CHARACTERISTICS

| | Width W | | Working Load | | Radius | | Reverse Radius | | Weight (kg/m) |
|-----------|---------|--------|--------------|----------|--------|--------|----------------|--------|---------------|
| | (mm) | (inch) | kg(21°C) | lb(21°C) | (mm) | (inch) | (mm) | (inch) | |
| HS-F3000A | 57.4 | 2.26 | 317 | 700 | - | - | - | - | 1.34 |

HS-F3000A-TAB SERIES

Plate Materials: POM-DP,POM-LF

Pin Material: Cold rolled austenitic stainless steel



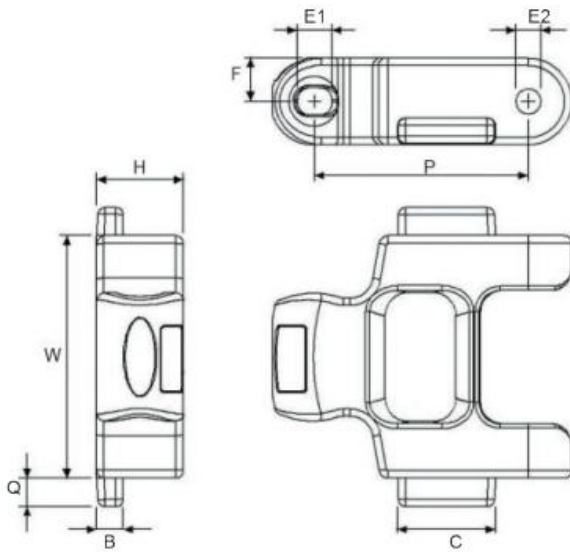
Materials



Sprockets
138



Applications



| Dimension | mm | inches |
|-----------|------|--------|
| P | 50.6 | 1.992 |
| F | 10.2 | 0.401 |
| W | 57.4 | 2.260 |
| H | 20.5 | 0.807 |
| Q | 6.7 | 0.263 |
| B | 6.3 | 0.248 |
| C | 23.2 | 0.913 |
| E1 | 8.3 | 0.327 |
| E2 | 6.0 | 0.236 |

HS-F3000-TAB (Side Flexing Knuckle Chain)

| | Width W | | Working Load | | Radius | | Reverse Radius | | Weight (kg/m) |
|---------------|---------|--------|--------------|----------|--------|--------|----------------|--------|---------------|
| | (mm) | (inch) | kg(21°C) | lb(21°C) | (mm) | (inch) | (mm) | (inch) | |
| HS-F3000A-TAB | 57.4 | 2.26 | 317 | 700 | 406 | 16 | - | - | 1.41 |

HS-F3000B SERIES



Materials



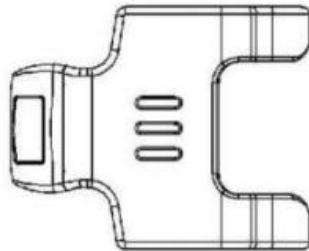
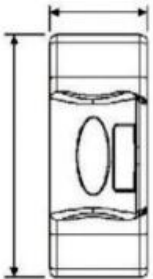
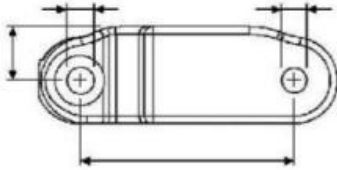
Sprockets
138



Applications

Plate Materials: POM-DP,POM-LF

Pin Material: Cold rolled austenitic stainless steel



| Dimension | mm | inches |
|-----------|------|--------|
| P | 50.4 | 1.984 |
| F | 12.7 | 0.500 |
| W | 57.4 | 2.260 |
| H | 23.0 | 0.905 |
| E1 | 6.5 | 0.256 |
| E2 | 6.0 | 0.236 |

HS-F3000 (Straight Running Knuckle Chain)

CHARACTERISTICS

| | Width W | | Working Load | | Radius | | Reverse Radius | | Weight (kg/m) |
|-----------|---------|--------|--------------|-----------|--------|--------|----------------|--------|------------------|
| | (mm) | (inch) | N(21°C) | lbf(21°C) | (mm) | (inch) | (mm) | (inch) | |
| HS-F3000B | 57.4 | 2.26 | 3100 | 698 | - | - | - | - | 1.53 |

HS-F3000B-TAB SERIES

Plate Materials: POM-DP,POM-LF

Pin Material: Cold rolled austenitic stainless steel



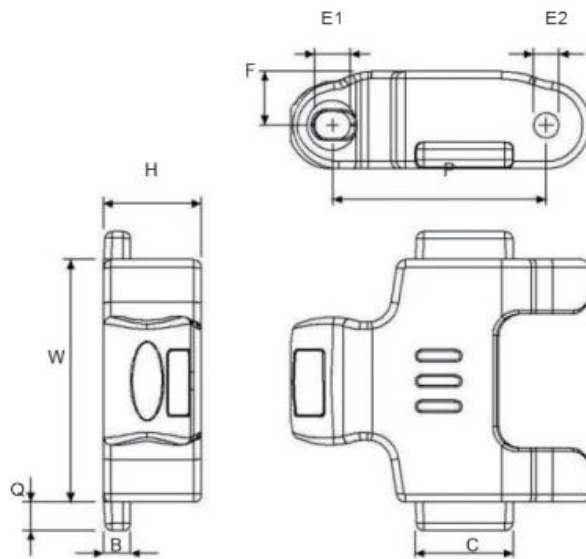
Materials



Sprockets
138



Applications



| Dimension | mm | inches |
|-----------|------|--------|
| P | 50.6 | 1.992 |
| F | 12.7 | 0.500 |
| W | 57.4 | 2.260 |
| H | 23.0 | 0.905 |
| Q | 6.7 | 0.263 |
| B | 6.3 | 0.248 |
| C | 23.2 | 0.913 |
| E1 | 8.3 | 0.327 |
| E2 | 6.0 | 0.236 |

HS-F3000-TAB (Side Flexing Knuckle Chain)

| | Width W | | Working Load | | Radius | | Reverse Radius | | Weight (kg/m) |
|---------------|---------|--------|--------------|-----------|--------|--------|----------------|--------|---------------|
| | (mm) | (inch) | N(21°C) | lbf(21°C) | (mm) | (inch) | (mm) | (inch) | |
| HS-F3000B-TAB | 57.4 | 2.26 | 3100 | 698 | 406 | 16 | - | - | 1.56 |

HS-F3000TD SERIES



Materials



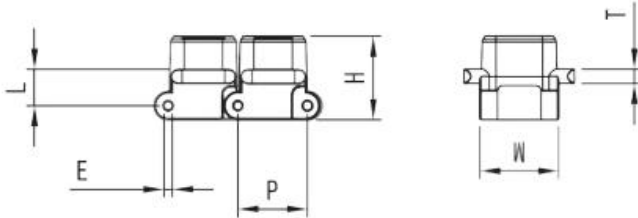
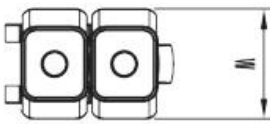
Sprockets
138



Applications

Plate Materials: POM-DP,POM-LF

Pin Material: Cold rolled austenitic stainless steel



| Dimension | mm | inches |
|-----------|------|--------|
| P | 50.8 | 2 |
| W | 57.4 | 2.26 |
| L | 26.3 | 1.035 |
| E | 6 | 0.236 |
| T | 4 | 0.406 |
| M | 80 | 3.15 |
| H | 60.7 | 2.39 |

HS-F3000TD (Straight Running Knuckle Chain)

CHARACTERISTICS

| | Width W | | Working Load | | Radius | | Reverse Radius | | Weight (kg/pc) |
|------------|---------|--------|--------------|-----------|--------|--------|----------------|--------|-------------------|
| | (mm) | (inch) | N(21°C) | lbf(21°C) | (mm) | (inch) | (mm) | (inch) | |
| HS-F3000TD | 57.4 | 2.26 | 3100 | 698 | - | - | - | - | 0.21 |

HS-1050 SERIES



Materials



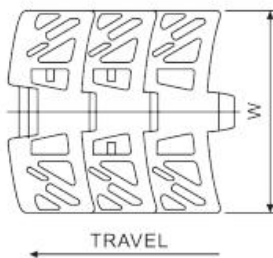
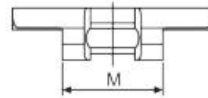
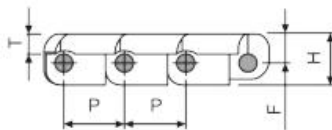
Sprockets
120/121



Applications

Plate Materials: POM-DP, POM-LF

Pin Material: Cold rolled austenitic stainless steel



| Dimension | mm | inches |
|-----------|------|--------|
| P | 25.4 | 1.000 |
| W | 83.8 | 3.300 |
| T | 8.7 | 0.343 |
| F | 12.2 | 0.480 |
| M | 42.2 | 1.661 |
| H | 21.1 | 0.831 |

HS-1050 (Side Flexing Plastic Chain)

CHARACTERISTICS

| | Width W | | Working Load | | Radius | | Reverse Radius | | Weight (kg/m) |
|--------------|---------|--------|--------------|-----------|--------|--------|----------------|--------|---------------|
| | (mm) | (inch) | N(21°C) | lbs(21°C) | (mm) | (inch) | (mm) | (inch) | |
| HS-1050-K330 | 83.8 | 3.30 | 1650 | 370 | 500 | 19.69 | 130 | 5.12 | 1.54 |

HS-1050 TAB SERIES



Materials



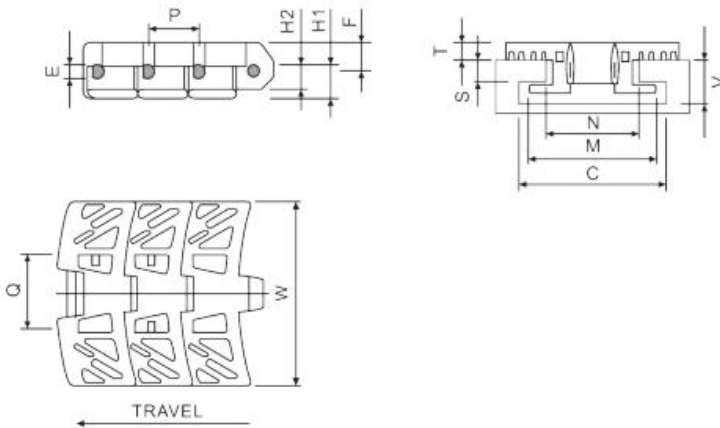
Sprockets
120/121



Applications

Plate Materials: POM-DP, POM-LF

Pin Material: Cold rolled austenitic stainless steel



| Dimension | mm | inches |
|-----------|------|--------|
| P | 25.4 | 1.000 |
| W | 83.8 | 3.300 |
| E | 8.6 | 0.340 |
| T | 8.7 | 0.343 |
| F | 12.2 | 0.480 |
| M | 61.5 | 2.421 |
| N | 45.0 | 1.771 |
| S | 10.0 | 0.394 |
| Q | 42.0 | 1.654 |
| V | 20.0 | 0.787 |
| C | 70.0 | 2.756 |
| H1 | 16.0 | 0.630 |
| H2 | 12.0 | 0.472 |

HS-1050 TAB (Side Flexing Plastic Chain)

CHARACTERISTICS

| | Width W | | Working Load | | Radius | | Reverse Radius | | Weight (kg/m) |
|----------------|---------|--------|--------------|-----------|--------|--------|----------------|--------|------------------|
| | (mm) | (inch) | N(21°C) | lbs(21°C) | (mm) | (inch) | (mm) | (inch) | |
| Hs1050TAB-K330 | 83.8 | 3.30 | 1650 | 370 | 500 | 19.69 | 130 | 5.12 | 1.93 |

HS-1060 SERIES



Materials



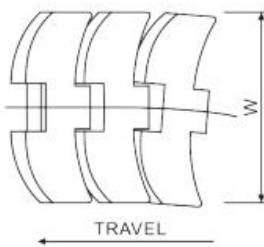
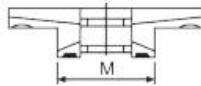
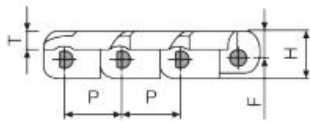
Sprockets
120/121



Applications

Plate Materials: POM-DP, POM-LF

Pin Material: Cold rolled austenitic stainless steel



| Dimension | mm | inches |
|-----------|------|--------|
| P | 25.4 | 1.000 |
| W | 83.8 | 3.300 |
| T | 8.7 | 0.343 |
| F | 12.2 | 0.480 |
| M | 42.2 | 1.661 |
| H | 21.1 | 0.831 |

HS-1060 (Side Flexing Plastic Chain)

CHARACTERISTICS

| | Width W | | Working Load | | Radius | | Reverse Radius | | Weight (kg/m) |
|--------------|---------|--------|--------------|-----------|--------|--------|----------------|--------|------------------|
| | (mm) | (inch) | N(21°C) | lbs(21°C) | (mm) | (inch) | (mm) | (inch) | |
| HS-1060-K330 | 83.8 | 3.30 | 1890 | 425 | 500 | 19.69 | 130 | 5.12 | 1.68 |

HS-1060A-N SERIES



Materials



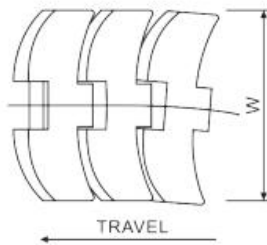
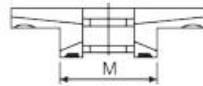
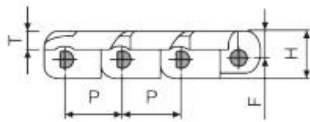
Sprockets
120/121



Applications

Plate Materials: POM-DP, POM-LF

Pin Material: Cold rolled austenitic stainless steel



| Dimension | mm | inches |
|-----------|------|--------|
| P | 25.4 | 1.000 |
| W | 83.8 | 3.300 |
| T | 8.7 | 0.343 |
| F | 12.2 | 0.480 |
| M | 42.2 | 1.661 |
| H | 21.1 | 0.831 |

HS-1060A-N (Side Flexing Plastic Chain)

CHARACTERISTICS

| | Width W | | Working Load | | Radius | | Reverse Radius | | Weight (kg/m) |
|-----------------|---------|--------|--------------|-----------|--------|--------|----------------|--------|------------------|
| | (mm) | (inch) | N(21°C) | lbs(21°C) | (mm) | (inch) | (mm) | (inch) | |
| HS-1060A-N-K330 | 83.8 | 3.30 | 1890 | 425 | 500 | 19.69 | 130 | 5.12 | 1.68 |

HS-1060 TAB SERIES



Materials



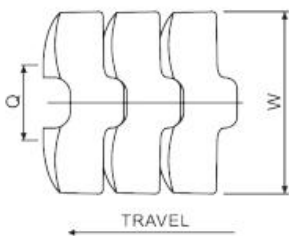
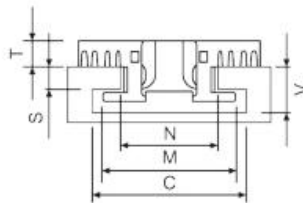
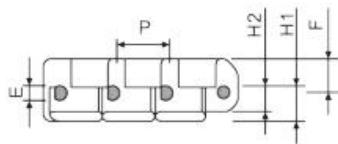
Sprockets
120/121



Applications

Plate Materials: POM-DP,POM-LF

Pin Material: Cold rolled austenitic stainless steel



| Dimension | mm | inches |
|-----------|------|--------|
| P | 25.4 | 1.000 |
| W | 83.8 | 3.300 |
| E | 8.6 | 0.340 |
| T | 12.7 | 0.500 |
| F | 12.2 | 0.480 |
| M | 61.5 | 2.421 |
| N | 45.0 | 1.771 |
| S | 10.0 | 0.394 |
| Q | 42.0 | 1.654 |
| V | 20.0 | 0.787 |
| C | 70.0 | 2.756 |
| H1 | 16.0 | 0.630 |
| H2 | 12.0 | 0.472 |

HS-1060 TAB (Side Flexing Plastic Chain)

CHARACTERISTICS

| | Width W | | Working Load | | Radius | | Reverse Radius | | Weight (kg/m) |
|------------------|---------|--------|--------------|-----------|--------|--------|----------------|--------|------------------|
| | (mm) | (inch) | N(21°C) | lbs(21°C) | (mm) | (inch) | (mm) | (inch) | |
| HS-1060 TAB-K330 | 83.8 | 3.30 | 1890 | 425 | 500 | 19.69 | 130 | 5.12 | 2.13 |

HS-1060A-N-TAB SERIES



Materials



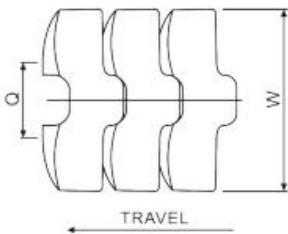
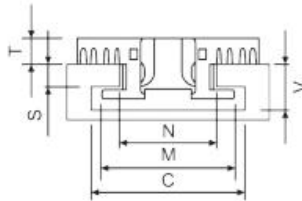
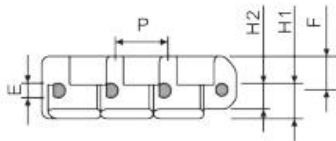
Sprockets
120/121



Applications

Plate Materials: POM-DP, POM-LF

Pin Material: Cold rolled austenitic stainless steel



| Dimension | mm | inches |
|-----------|------|--------|
| P | 25.4 | 1.000 |
| W | 83.8 | 3.300 |
| E | 8.6 | 0.340 |
| T | 8.7 | 0.343 |
| F | 12.2 | 0.480 |
| M | 61.5 | 2.421 |
| N | 45.0 | 1.771 |
| S | 12.0 | 0.472 |
| Q | 20.6 | 0.811 |
| V | 20.0 | 0.787 |
| C | 70.0 | 2.756 |
| H1 | 16.0 | 0.630 |
| H2 | 12.0 | 0.472 |

HS-1060A-N-TAB (Side Flexing Plastic Chain)

CHARACTERISTICS

| | Width W | | Working Load | | Radius | | Reverse Radius | | Weight (kg/m) |
|----------------|---------|--------|--------------|-----------|--------|--------|----------------|--------|------------------|
| | (mm) | (inch) | N(21°C) | lbs(21°C) | (mm) | (inch) | (mm) | (inch) | |
| HS-1060A-N-TAB | 83.8 | 3.30 | 1890 | 425 | 500 | 19.69 | 130 | 5.12 | 2.13 |

HS-2600-O SERIES



Materials



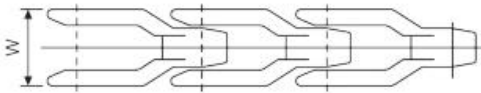
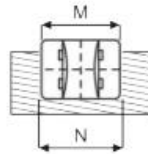
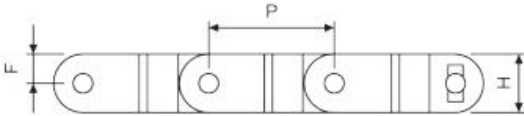
Sprockets
122



Applications

Plate Materials: POM-DP, POM-LF

Pin Material: Cold rolled austenitic stainless steel



| Dimension | mm | inches |
|-----------|------|--------|
| P | 63.5 | 2.480 |
| M | 42.0 | 1.654 |
| W | 42.0 | 1.654 |
| H | 28.4 | 1.102 |
| N | 45.0 | 1.772 |
| F | 14.2 | 0.560 |

HS-2600-O (Side Flexing Case Conveyor Chains)

CHARACTERISTICS

| | Width W | | Working Load | | Radius | | Reverse Radius | | Weight (kg/m) |
|-----------|---------|--------|--------------|-----------|--------|--------|----------------|--------|---------------|
| | (mm) | (inch) | N(21°C) | lbs(21°C) | (mm) | (inch) | (mm) | (inch) | |
| HS-2600-O | 42.0 | 1.66 | 6000 | 1349 | 600 | 23.62 | 75 | 2.95 | 1.30 |

HS-2600TAB-O SERIES



Materials



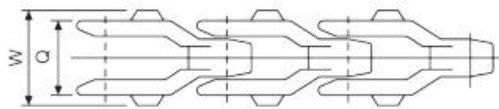
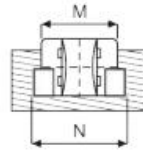
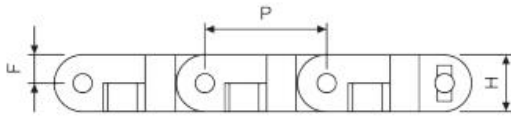
Sprockets
122



Applications

Plate Materials: POM-DP,POM-LF

Pin Material: Cold rolled austenitic stainless steel



| Dimension | mm | inches |
|-----------|------|--------|
| P | 63.5 | 2.480 |
| M | 45.0 | 1.772 |
| W | 54.0 | 2.126 |
| H | 28.4 | 1.102 |
| N | 58.0 | 2.283 |
| F | 14.2 | 0.560 |
| Q | 42.0 | 1.654 |

HS-2600TAB-O (Side Flexing Case Conveyor Chains)

CHARACTERISTICS

| | Width W | | Working Load | | Radius | | Reverse Radius | | Weight (kg/m) |
|--------------|---------|--------|--------------|-----------|--------|--------|----------------|--------|------------------|
| | (mm) | (inch) | N(21°C) | lbs(21°C) | (mm) | (inch) | (mm) | (inch) | |
| HS-2600TAB-O | 54.0 | 2.13 | 2100 | 472 | 200 | 7.87 | 40 | 1.57 | 2.10 |

HS-2600FT-O SERIES



Materials



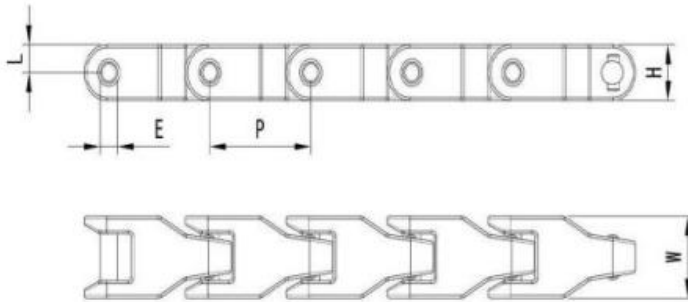
Sprockets



Applications

Plate Materials: POM-DP, POM-LF

Pin Material: Cold rolled austenitic stainless steel



| Dimension | mm | inches |
|-----------|------|--------|
| P | 63.5 | 2.480 |
| M | 23.3 | 0.917 |
| W | 42.0 | 1.654 |
| H | 28.5 | 1.122 |
| E | 11.0 | 0.433 |
| L | 14.3 | 0.563 |

HS-2600FT-O (Side Flexing Case Conveyor Chains)

CHARACTERISTICS

| | Width W | | Working Load | | Radius | | Reverse Radius | | Weight (kg/m) |
|-------------|---------|--------|--------------|-----------|--------|--------|----------------|--------|------------------|
| | (mm) | (inch) | N(21°C) | lbs(21°C) | (mm) | (inch) | (mm) | (inch) | |
| HS-2600FT-O | 42.0 | 1.66 | 6000 | 1349 | 600 | 23.62 | 75 | 2.95 | 1.50 |

HS-2600FT-TAB-O SERIES



Materials



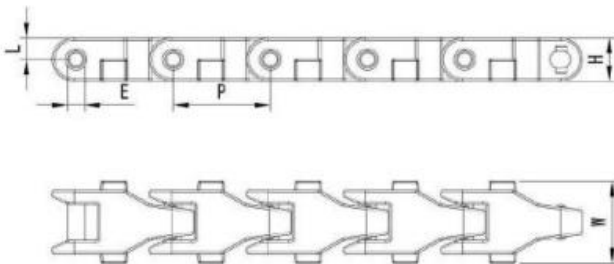
Sprockets



Applications

Plate Materials: POM-DP, POM-LF

Pin Material: Cold rolled austenitic stainless steel



| Dimension | mm | inches |
|-----------|------|--------|
| P | 63.5 | 2.480 |
| M | 23.3 | 0.917 |
| W | 54.0 | 2.126 |
| H | 28.4 | 1.122 |
| E | 11.0 | 0.433 |
| L | 14.3 | 0.563 |

HS-2600FT-TAB-O (Side Flexing Case Conveyor Chains)

CHARACTERISTICS

| | Width W | | Working Load | | Radius | | Reverse Radius | | Weight (kg/m) |
|-----------------|---------|--------|--------------|-----------|--------|--------|----------------|--------|---------------|
| | (mm) | (inch) | N(21°C) | lbs(21°C) | (mm) | (inch) | (mm) | (inch) | |
| HS-2600FT-TAB-O | 54.0 | 2.13 | 2100 | 472 | 200 | 7.87 | 40 | 1.57 | 1.54 |

HS-2800-O SERIES



Materials



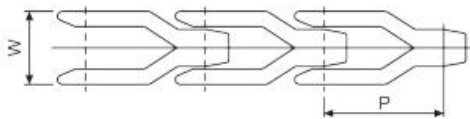
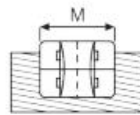
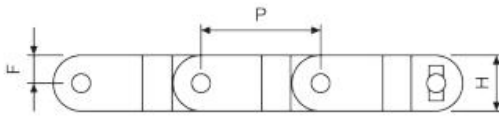
Sprockets
123



Applications

Plate Materials: POM-DP, POM-LF

Pin Material: Cold rolled austenitic stainless steel



| Dimension | mm | inches |
|-----------|------|--------|
| P | 82.5 | 3.228 |
| M | 50.0 | 1.969 |
| W | 50.0 | 1.969 |
| H | 38.0 | 1.496 |
| F | 19.0 | 0.748 |

HS-2800-O (Side Flexing Case Conveyor Chains)

CHARACTERISTICS

| | Width W | | Working Load | | Radius | | Reverse Radius | | Weight (kg/m) |
|-----------|---------|--------|--------------|-----------|--------|--------|----------------|--------|------------------|
| | (mm) | (inch) | N(21°C) | lbs(21°C) | (mm) | (inch) | (mm) | (inch) | |
| HS-2800-O | 50.0 | 1.97 | 6500 | 1462 | 660 | 26.00 | 75 | 2.95 | 1.70 |

HS-2800TAB-O SERIES



Materials



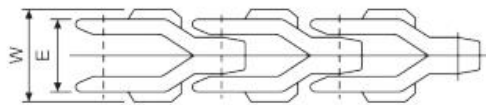
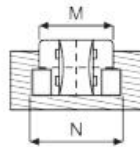
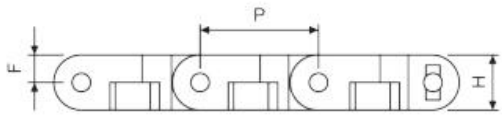
Sprockets
123



Applications

Plate Materials: POM-DP,POM-LF

Pin Material: Cold rolled austenitic stainless steel



| Dimension | mm | inches |
|-----------|------|--------|
| P | 82.5 | 3.228 |
| M | 50.0 | 1.969 |
| W | 65.0 | 2.560 |
| H | 38.0 | 1.496 |
| N | 69.0 | 2.717 |
| F | 19.0 | 0.748 |
| E | 50.0 | 1.969 |

HS-2800TAB-O (Side Flexing Case Conveyor Chains)

CHARACTERISTICS

| | Width W | | Working Load | | Radius | | Reverse Radius | | Weight (kg/m) |
|--------------|---------|--------|--------------|-----------|--------|--------|----------------|--------|------------------|
| | (mm) | (inch) | N(21°C) | lbs(21°C) | (mm) | (inch) | (mm) | (inch) | |
| HS-2800TAB-O | 65.0 | 2.56 | 2100 | 472 | 200 | 7.87 | 40 | 1.57 | 2.10 |

HS-F54 SERIES



Materials



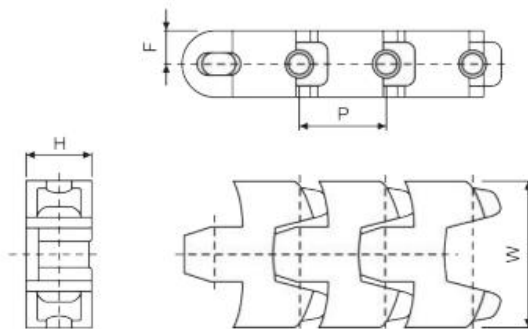
Sprockets
124



Applications

Plate Materials: POM-DP,POM-LF

Pin Material: Cold rolled austenitic stainless steel



| Dimension | mm | inches |
|-----------|------|--------|
| P | 31.7 | 1.969 |
| F | 12.0 | 0.472 |
| W | 54.0 | 2.126 |
| H | 24.0 | 0.979 |

HS-F54 (Side Flexing Plastic Chain)

CHARACTERISTICS

| | Width W | | Working Load | | Radius | | Reverse Radius | | Weight (kg/m) |
|--------|---------|--------|--------------|-----------|--------|--------|----------------|--------|------------------|
| | (mm) | (inch) | N(21°C) | lbs(21°C) | (mm) | (inch) | (mm) | (inch) | |
| HS-F54 | 54 | 2.13 | 2000 | 450 | 200 | 7.87 | 50 | 1.97 | 1.6 |

HS-40/50/60P SERIES



Materials



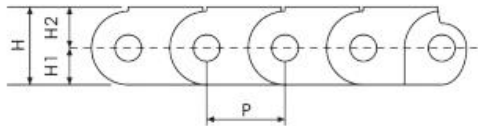
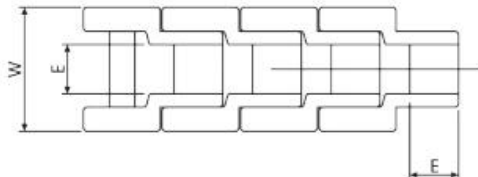
Sprockets



Applications

Plate Materials: POM-DP, POM-LF

Pin Material: Cold rolled austenitic stainless steel



HS-40/50/60P (Straight Running Plastic Chain)

| CHARACTERISTICS | | | | | | | | |
|-----------------|-----------|-----------|-----------|-----------|------------|------------|--------------------|------------------|
| | P (mm) | E (mm) | W (mm) | H (mm) | H1 (mm) | H2 (mm) | Working Load KN | Weight (kg/m) |
| HS-40P | 12.70 | 7.95 | 20.0 | 12.7 | 6.0 | 6.7 | 0.44 | 0.36 |
| HS-50P | 15.87 | 9.53 | 22.5 | 15.0 | 7.0 | 8.0 | 0.69 | 0.46 |
| HS-60P | 19.05 | 12.7 | 30.0 | 17.3 | 8.5 | 8.8 | 0.88 | 0.72 |

HS-1700 SERIES



Materials



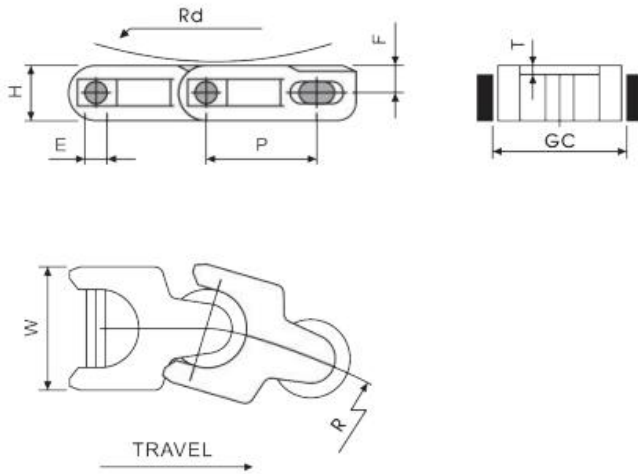
Sprockets
125



Applications

Plate Materials: POM-DP, POM-LF

Pin Material: Cold rolled austenitic stainless steel



| Dimension | mm | inches |
|-----------|-------|--------|
| P | 50.0 | 1.969 |
| R | 140.0 | 5.512 |
| W | 55.0 | 2.165 |
| H | 24.0 | 0.945 |
| T | 3.0 | 0.118 |
| F | 12.0 | 0.472 |
| E | 8.0 | 0.315 |
| GC | 58.0 | 2.283 |
| RD | 50.0 | 1.969 |

HS-1700 (Side Flexing Keel Chains)

CHARACTERISTICS

| | Width W | | Working Load | | Radius | | Reverse Radius | | Weight (kg/m) |
|---------|---------|--------|--------------|-----------|--------|--------|----------------|--------|---------------|
| | (mm) | (inch) | N(21°C) | lbs(21°C) | (mm) | (inch) | (mm) | (inch) | |
| HS-1700 | 55.0 | 2.17 | 2670 | 601 | 140 | 5.51 | 38 | 1.50 | 2.51 |

HS-1700TAB SERIES



Materials



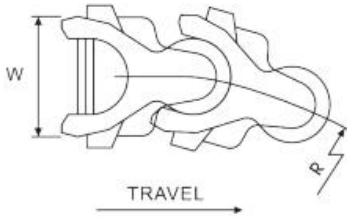
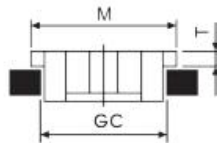
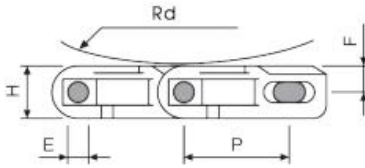
Sprockets
125



Applications

Plate Materials: POM-DP,POM-LF

Pin Material: Cold rolled austenitic stainless steel



| Dimension | mm | inches |
|-----------|-------|--------|
| P | 50.0 | 1.969 |
| R | 140.0 | 5.512 |
| W | 55.0 | 2.165 |
| H | 24.0 | 0.945 |
| T | 6.0 | 0.236 |
| F | 12.0 | 0.472 |
| E | 8.0 | 0.315 |
| M | 67.0 | 2.637 |
| GC | 58.0 | 2.283 |
| RD | 50.0 | 1.969 |

HS-1700TAB (Side Flexing Keel Chains)

CHARACTERISTICS

| | Width W | | Working Load | | Radius | | Reverse Radius | | Weight (kg/m) |
|------------|---------|--------|--------------|-----------|--------|--------|----------------|--------|------------------|
| | (mm) | (inch) | N(21°C) | lbs(21°C) | (mm) | (inch) | (mm) | (inch) | |
| HS-1700TAB | 55.0 | 2.17 | 2670 | 601 | 140 | 5.51 | 38 | 1.5 | 1.30 |

HS-1701 SERIES



Materials



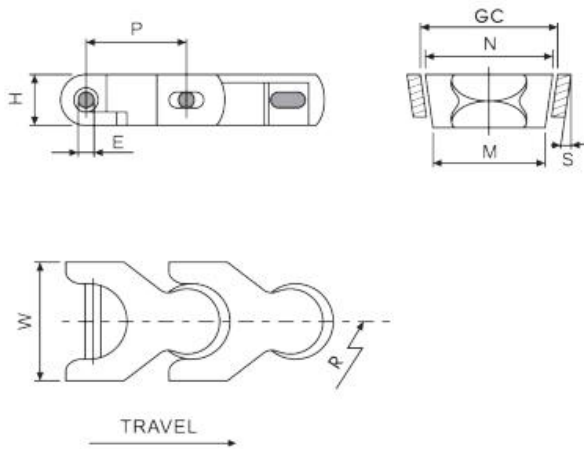
Sprockets
125



Applications

Plate Materials: POM-DP, POM-LF

Pin Material: Cold rolled austenitic stainless steel



| Dimension | mm | inches |
|-----------|-------|--------|
| P | 50.0 | 1.969 |
| R | 150.0 | 5.906 |
| W | 52.0 | 2.047 |
| H | 25.0 | 0.984 |
| N | 58.4 | 2.300 |
| S | 8.0 | 0.315 |
| E | 8.0 | 0.315 |
| M | 52.4 | 2.063 |
| GC | 62.0 | 2.441 |

HS-1701 (Side Flexing Keel Chains)

CHARACTERISTICS

| | Width W | | Working Load | | Radius | | Reverse Radius | | Weight (kg/m) |
|---------|---------|--------|--------------|-----------|--------|--------|----------------|--------|---------------|
| | (mm) | (inch) | N(21°C) | lbs(21°C) | (mm) | (inch) | (mm) | (inch) | |
| HS-1701 | 52.0 | 2.05 | 2669 | 600 | 150 | 5.90 | 50 | 1.97 | 1.42 |

HS-1701TAB SERIES



Materials



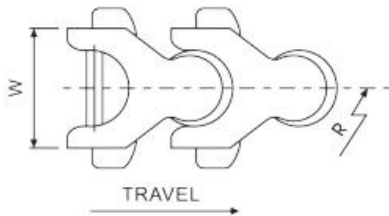
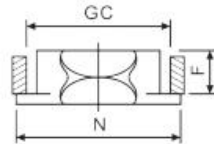
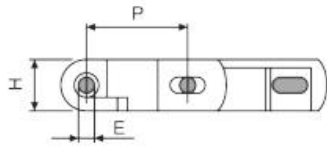
Sprockets
125



Applications

Plate Materials: POM-DP,POM-LF

Pin Material: Cold rolled austenitic stainless steel



| Dimension | mm | inches |
|--------------|-------|--------|
| P | 50.0 | 1.969 |
| R | 150.0 | 5.906 |
| W | 53.2 | 2.094 |
| H | 25.0 | 0.984 |
| N | 66.7 | 2.626 |
| F | 19.0 | 0.748 |
| E | 8.0 | 0.315 |
| GC(Straight) | 57.5 | 2.264 |
| GC(Curve) | 56.0 | 2.205 |

HS-1701TAB (Side Flexing Keel Chains)

CHARACTERISTICS

| | Width W | | Working Load | | Radius | | Reverse Radius | | Weight (kg/m) |
|------------|---------|--------|--------------|-----------|--------|--------|----------------|--------|------------------|
| | (mm) | (inch) | N(21°C) | lbs(21°C) | (mm) | (inch) | (mm) | (inch) | |
| HS-1701TAB | 53.2 | 2.09 | 2669 | 600 | 150 | 5.9 | 50 | 1.97 | 1.49 |

HS-1702 SERIES



Materials



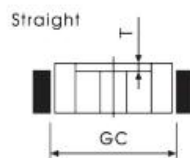
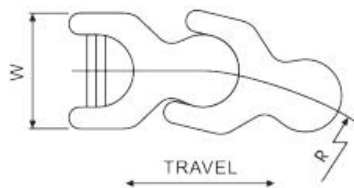
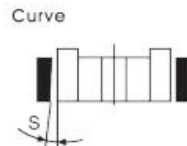
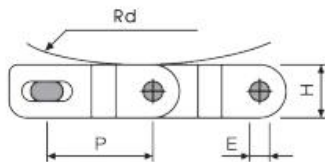
Sprockets
125



Applications

Plate Materials: POM-DP, POM-LF

Pin Material: Cold rolled austenitic stainless steel



| Dimension | mm | inches |
|--------------|-------|--------|
| P | 50.0 | 1.969 |
| R | 150.0 | 5.906 |
| W | 53.2 | 2.094 |
| H | 25.0 | 0.984 |
| T | 4.8 | 0.189 |
| S | 2.0 | 0.079 |
| E | 8.0 | 0.315 |
| RD | 50.0 | 1.969 |
| GC(Straight) | 59.5 | 2.343 |
| GC(Curve) | 56.8 | 2.236 |

HS-1702 (Side Flexing Keel Chains)

CHARACTERISTICS

| | Width W | | Working Load | | Radius | | Reverse Radius | | Weight (kg/m) |
|---------|---------|--------|--------------|-----------|--------|--------|----------------|--------|------------------|
| | (mm) | (inch) | N(21°C) | lbs(21°C) | (mm) | (inch) | (mm) | (inch) | |
| HS-1702 | 53.2 | 2.09 | 2669 | 600 | 150 | 5.90 | 50 | 1.97 | 1.55 |

HS-1703-N SERIES



Materials



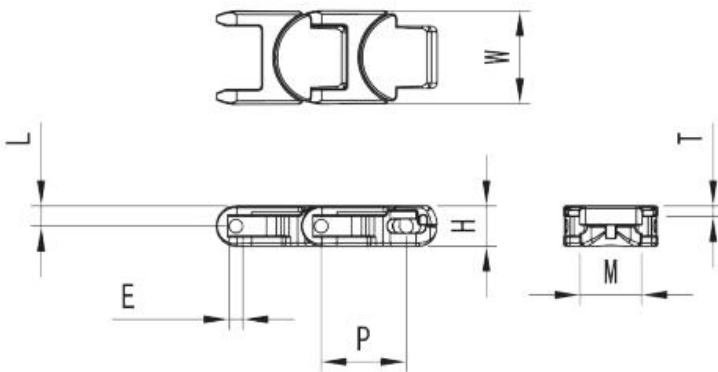
Sprockets



Applications

Plate Materials: POM-DP,POM-LF

Pin Material: Cold rolled austenitic stainless steel



| Dimension | mm | inches |
|-----------|------|--------|
| P | 50 | 1.969 |
| M | 36.2 | 1.425 |
| L | 12.0 | 0.472 |
| E | 8 | 0.315 |
| T | 6.3 | 0.248 |
| W | 55.0 | 2.165 |
| H | 24.0 | 0.945 |

HS-1703-N (Side Flexing Plastic Chain)

CHARACTERISTICS

| | Width W | | Working Load | | Radius | | Reverse Radius | | Weight (kg/m) |
|-----------|---------|--------|--------------|-----------|--------|--------|----------------|--------|---------------|
| | (mm) | (inch) | N(21°C) | lbs(21°C) | (mm) | (inch) | (mm) | (inch) | |
| HS-1703-N | 55.0 | 2.17 | 2669 | 600 | 125 | 4.92 | 63.5 | 2.50 | 1.60 |

HS-W1080 SS SERIES



Materials



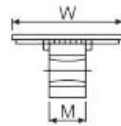
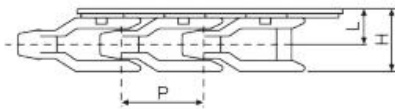
Sprockets



Applications

Plate Materials: POM-DP,POM-LF

Pin Material: Cold rolled austenitic stainless steel



| Dimension | mm | inches |
|-----------|------|--------|
| P | 63.5 | 2.500 |
| M | 28.4 | 1.118 |
| W | 85.0 | 3.346 |
| H | 48.0 | 1.890 |
| L | 27.0 | 1.063 |



HS-W1080 SS (Side Flexing Plastic Chain)

| | Width W | | Working Load | | Radius | | Reverse Radius | | Weight (kg/m) |
|-------------|---------|--------|--------------|-----------|--------|--------|----------------|--------|------------------|
| | (mm) | (inch) | N(21°C) | lbs(21°C) | (mm) | (inch) | (mm) | (inch) | |
| HS-W1080 SS | 85.0 | 3.35 | 3950 | 888 | 83 | 3.27 | 50 | 1.97 | 1.76 |

HS-114 SERIES



Materials



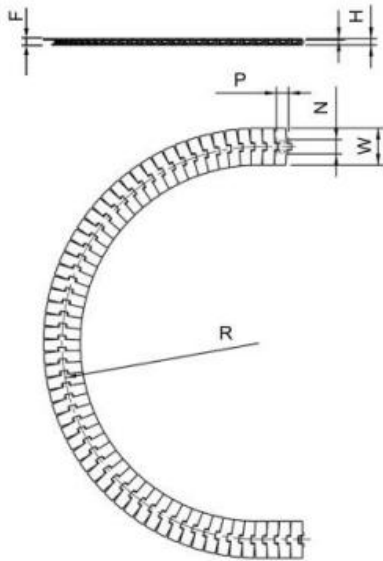
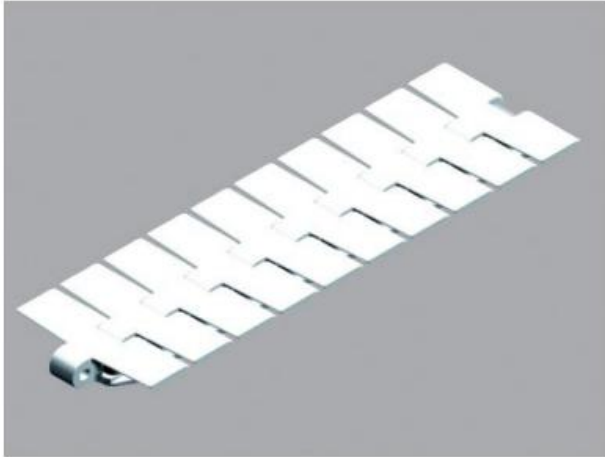
Sprockets
126



Applications

Plate Materials: POM-DP, POM-LF

Pin Material: Cold rolled austenitic stainless steel



| Dimension | mm | inches |
|-----------|-------|--------|
| P | 36.8 | 1.449 |
| W | 114.0 | 4.500 |
| T | 4.0 | 0.157 |
| R | 609.0 | 23.976 |
| F | 11.9 | 0.468 |
| N | 44.4 | 1.748 |
| H | 20.0 | 0.787 |

HS-114 (Side Flexing Flexible Chains)

CHARACTERISTICS

| | Width W | | Working Load | | Radius | | Reverse Radius | | Weight (kg/m) |
|--------|---------|--------|--------------|-----------|--------|--------|----------------|--------|------------------|
| | (mm) | (inch) | N(21°C) | lbs(21°C) | (mm) | (inch) | (mm) | (inch) | |
| HS-114 | 114.0 | 4.5 | 2000 | 450 | 609 | 8.23 | 50 | 1.97 | 1.67 |

HS-83-3 SERIES



Materials



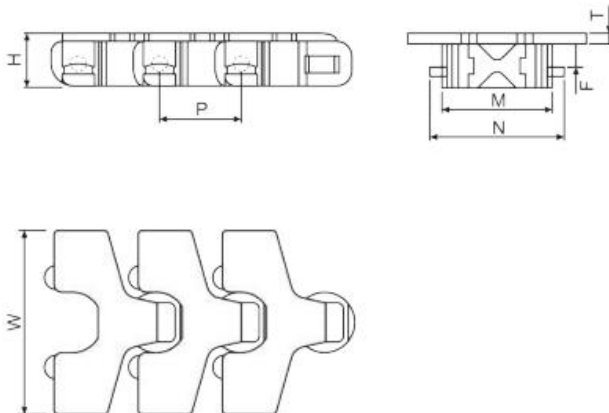
Sprockets
128



Applications

Plate Materials: POM-DP, POM-LF

Pin Material: Cold rolled austenitic stainless steel



| Dimension | mm | inches |
|-----------|------|--------|
| P | 38.0 | 1.496 |
| M | 64.0 | 2.520 |
| W | 83.0 | 3.268 |
| H | 25.0 | 0.984 |
| T | 5.0 | 0.197 |
| F | 11.0 | 0.433 |
| N | 64.0 | 2.520 |

HS-83-3 (Side Flexing Flexible Chains)

CHARACTERISTICS

| | Width W | | Working Load | | Radius | | Reverse Radius | | Weight (kg/m) |
|---------|---------|--------|--------------|-----------|--------|--------|----------------|--------|------------------|
| | (mm) | (inch) | N(21°C) | lbs(21°C) | (mm) | (inch) | (mm) | (inch) | |
| HS-83-3 | 83.0 | 3.25 | 2100 | 472 | 150 | 5.90 | 40 | 1.57 | 1.50 |

HS-83-EL SERIES



Materials



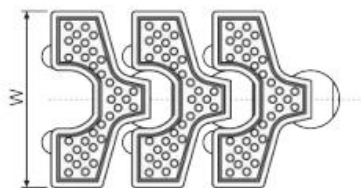
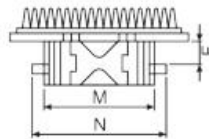
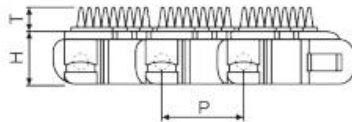
Sprockets
128



Applications

Plate Materials: POM-DP, POM-LF

Pin Material: Cold rolled austenitic stainless steel



| Dimension | mm | inches |
|-----------|------|--------|
| P | 38.0 | 1.496 |
| M | 52.0 | 2.047 |
| W | 83.0 | 3.268 |
| H | 25.0 | 0.984 |
| T | 10.5 | 0.394 |
| F | 11.0 | 0.433 |
| N | 64.0 | 2.520 |

HS-83-EL (Side Flexing Flexible Chains)

CHARACTERISTICS

| | Width W | | Working Load | | Radius | | Reverse Radius | | Weight (kg/m) |
|----------|---------|--------|--------------|-----------|--------|--------|----------------|--------|------------------|
| | (mm) | (inch) | N(21°C) | lbs(21°C) | (mm) | (inch) | (mm) | (inch) | |
| HS-83-EL | 83.0 | 3.25 | 2100 | 472 | 150 | 5.90 | 150 | 5.91 | 2.30 |

HS-7100-63 SERIES



Materials



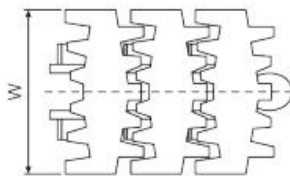
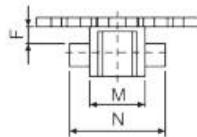
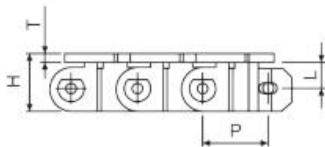
Sprockets
127



Applications

Plate Materials: POM-DP,POM-LF

Pin Material: Cold rolled austenitic stainless steel



| Dimension | mm | inches |
|-----------|------|--------|
| P | 25.4 | 1.0 |
| M | 20.8 | 0.819 |
| W | 63.0 | 2.480 |
| H | 22.5 | 0.886 |
| F | 7.0 | 0.276 |
| L | 10.0 | 0.394 |
| T | 3.5 | 0.138 |
| N | 37.0 | 1.457 |

HS-7100-63 (Side Flexing Flexible Chains)

CHARACTERISTICS

| | Width W | | Working Load | | Radius | | Reverse Radius | | Weight (kg/m) |
|------------|---------|--------|--------------|-----------|--------|--------|----------------|--------|------------------|
| | (mm) | (inch) | N(21°C) | lbs(21°C) | (mm) | (inch) | (mm) | (inch) | |
| HS-7100-63 | 63.0 | 2.48 | 500 | 112 | 150 | 5.91 | 40 | 1.57 | 0.8 |

*TPE cover can be added on the surface. Customizing according to customer's drawing and sample is acceptable.

HS-7100-70 SERIES



Materials



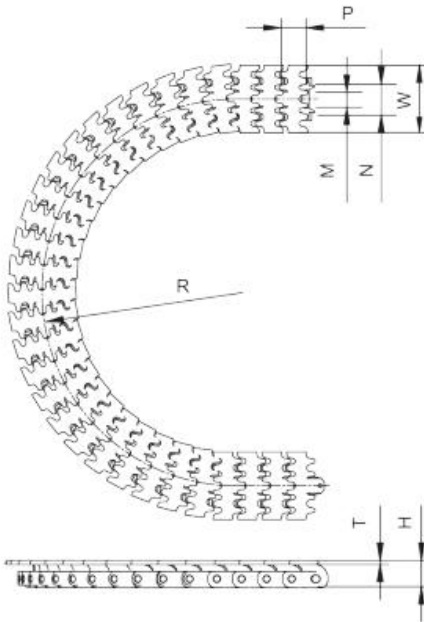
Sprockets
127



Applications

Plate Materials: POM-DP, POM-LF

Pin Material: Cold rolled austenitic stainless steel



| Dimension | mm | inches |
|-----------|-------|--------|
| P | 25.0 | 0.984 |
| W | 70.0 | 2.756 |
| T | 4.0 | 0.157 |
| R | 200.0 | 7.874 |
| M | 15.2 | 0.598 |
| N | 44.0 | 1.732 |
| H | 27.5 | 1.083 |

HS-7100-70 (Side Flexing Flexible Chains)

CHARACTERISTICS

| | Width W | | Working Load | | Radius | | Reverse Radius | | Weight (kg/m) |
|------------|---------|--------|--------------|-----------|--------|--------|----------------|--------|------------------|
| | (mm) | (inch) | N(21°C) | lbs(21°C) | (mm) | (inch) | (mm) | (inch) | |
| HS-7100-70 | 70.0 | 2.76 | - | - | 200 | 7.87 | - | - | 1.6 |

*TPE cover can be added on the surface. Customizing according to customer's drawing and sample is acceptable.

HS-7100-EL SERIES



Materials



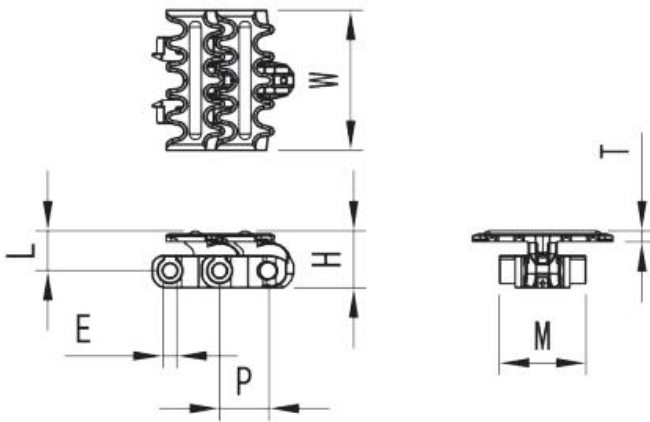
Sprockets
127



Applications

Plate Materials: POM-DP,POM-LF

Pin Material: Cold rolled austenitic stainless steel



| Dimension | mm | inches |
|-----------|------|--------|
| P | 24.7 | 0.972 |
| M | 43.2 | 1.7 |
| L | 19.8 | 0.78 |
| E | 7 | 0.276 |
| T | 5.4 | 0.213 |
| W | 70 | 2.756 |
| H | 28.4 | 1.118 |

HS-7100-EL (Side Flexing Plastic Chain)

CHARACTERISTICS

| | Width W | | Working Load | | Radius | | Reverse Radius | | Weight (kg/m) |
|---------------|---------|--------|--------------|-----------|--------|--------|----------------|--------|------------------|
| | (mm) | (inch) | N(21°C) | lbs(21°C) | (mm) | (inch) | (mm) | (inch) | |
| HS-7100-70-EL | 70.0 | 2.76 | - | - | 200 | 7.87 | - | - | 1.60 |

HS-7100-80 SERIES



Materials



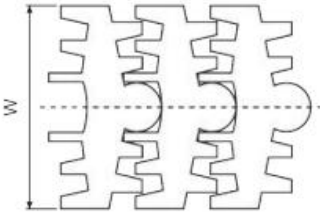
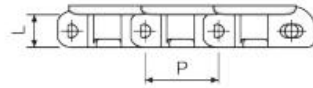
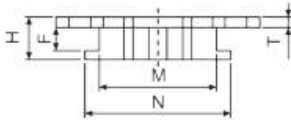
Sprockets
127



Applications

Plate Materials: POM-DP,POM-LF

Pin Material: Cold rolled austenitic stainless steel



| Dimension | mm | inches |
|-----------|------|--------|
| P | 30.0 | 1.181 |
| M | 48.0 | 1.890 |
| W | 80.0 | 3.150 |
| H | 17.0 | 0.670 |
| T | 3.5 | 0.138 |
| F | 10.0 | 0.394 |
| N | 59.5 | 2.323 |
| L | 13.5 | 0.531 |

HS-7100-80 (Side Flexing Flexible Chains)

CHARACTERISTICS

| | Width W | | Working Load | | Radius | | Reverse Radius | | Weight (kg/m) |
|------------|---------|--------|--------------|-----------|--------|--------|----------------|--------|------------------|
| | (mm) | (inch) | N(21°C) | lbs(21°C) | (mm) | (inch) | (mm) | (inch) | |
| HS-7100-80 | 80.0 | 3.0 | 700 | 27.55 | 160 | 6.30 | 75 | 2.95 | 0.86 |

*TPE cover can be added on the surface. Customizing according to customer's drawing and sample is acceptable.

HS-7100-83 SERIES



Materials



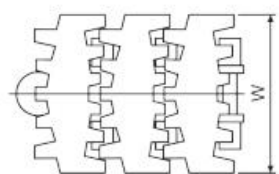
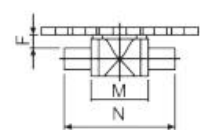
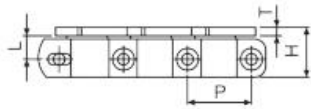
Sprockets
127



Applications

Plate Materials: POM-DP, POM-LF

Pin Material: Cold rolled austenitic stainless steel



| Dimension | mm | inches |
|-----------|------|--------|
| P | 33.5 | 1.319 |
| M | 31.0 | 1.220 |
| W | 83.0 | 3.268 |
| H | 25.5 | 0.004 |
| F | 7.0 | 0.276 |
| L | 12.5 | 0.429 |
| T | 4.0 | 0.138 |
| N | 58.2 | 2.291 |

HS-7100-83 (Side Flexing Flexible Chains)

| | Width W | | Working Load | | Radius | | Reverse Radius | | Weight (kg/m) |
|------------|---------|--------|--------------|-----------|--------|--------|----------------|--------|---------------|
| | (mm) | (inch) | N(21°C) | lbs(21°C) | (mm) | (inch) | (mm) | (inch) | |
| HS-7100-83 | 83.0 | 3.26 | 1250 | 281 | 160 | 6.30 | 40 | 1.57 | 1.23 |

*TPE cover can be added on the surface. Customizing according to customer's drawing and sample is acceptable.

HS-7100-103 SERIES



Materials



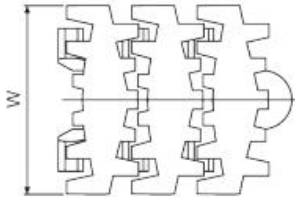
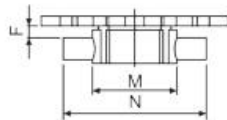
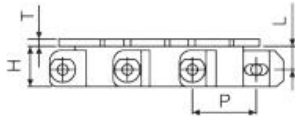
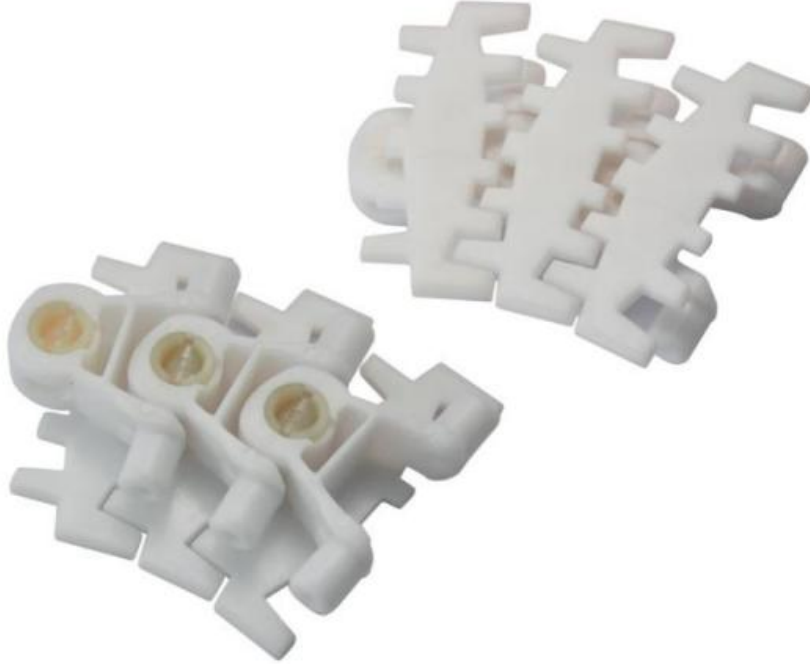
Sprockets
127



Applications

Plate Materials: POM-DP,POM-LF

Pin Material: Cold rolled austenitic stainless steel



| Dimension | mm | inches |
|-----------|-------|--------|
| P | 35.5 | 1.398 |
| M | 46.0 | 1.811 |
| W | 103.0 | 4.055 |
| H | 21.4 | 0.843 |
| F | 7.0 | 0.276 |
| L | 12.4 | 0.489 |
| T | 4.5 | 0.177 |
| N | 79.0 | 3.110 |

HS-7100-103 (Side Flexing Flexible Chains)

CHARACTERISTICS

| | Width W | | Working Load | | Radius | | Reverse Radius | | Weight (kg/m) |
|-------------|---------|--------|--------------|-----------|--------|--------|----------------|--------|------------------|
| | (mm) | (inch) | N(21°C) | lbs(21°C) | (mm) | (inch) | (mm) | (inch) | |
| HS-7100-103 | 103.0 | 4.06 | 1250 | 281 | 170 | 6.70 | 75 | 2.95 | 1.76 |

*TPE cover can be added on the surface. Customizing according to customer's drawing and sample is acceptable.

HS-7100-140 SERIES



Materials



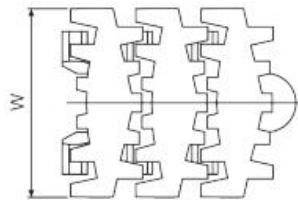
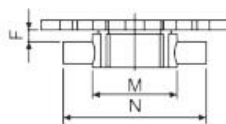
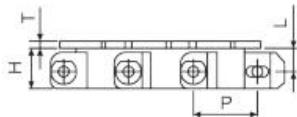
Sprockets
128



Applications

Plate Materials: POM-DP, POM-LF

Pin Material: Cold rolled austenitic stainless steel



| Dimension | mm | inches |
|-----------|-------|--------|
| P | 38.0 | 1.496 |
| M | 48.8 | 1.921 |
| W | 140.0 | 5.511 |
| H | 20.0 | 0.787 |
| F | 11.0 | 0.433 |
| L | 15.0 | 0.591 |
| T | 5.0 | 0.197 |
| N | 67.0 | 2.638 |

HS-7100-140 (Side Flexing Flexible Chains)

CHARACTERISTICS

| | Width W | | Working Load | | Radius | | Reverse Radius | | Weight (kg/m) |
|-------------|---------|--------|--------------|-----------|--------|--------|----------------|--------|---------------|
| | (mm) | (inch) | N(21°C) | lbs(21°C) | (mm) | (inch) | (mm) | (inch) | |
| HS-7100-140 | 140.0 | 5.51 | 2100 | 472 | 200 | 7.87 | 40 | 1.57 | 2.1 |

*TPE cover can be added on the surface. Customizing according to customer's drawing and sample is acceptable.

HS-7100-83 G1 SERIES



Materials



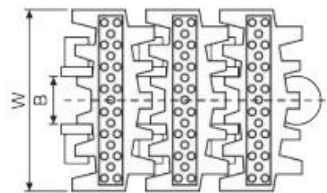
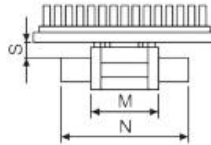
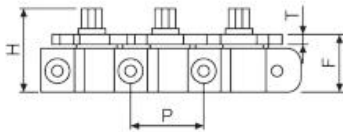
Sprockets
127



Applications

Plate Materials: POM-DP, POM-LF

Pin Material: Cold rolled austenitic stainless steel



| Dimension | mm | inches |
|-----------|------|--------|
| P | 33.5 | 1.319 |
| W | 83.0 | 3.268 |
| T | 4.0 | 0.157 |
| F | 25.5 | 1.004 |
| M | 31.0 | 1.220 |
| N | 58.2 | 2.291 |
| B | 22.9 | 0.902 |
| H | 38.0 | 1.496 |
| S | 7.0 | 0.276 |

HS-7100-83 G1 (Side Flexing Flexible Chains)

CHARACTERISTICS

| | Width W | | Working Load | | Radius | | Reverse Radius | | Weight (kg/m) |
|---------------|---------|--------|--------------|-----------|--------|--------|----------------|--------|------------------|
| | (mm) | (inch) | N(21°C) | lbs(21°C) | (mm) | (inch) | (mm) | (inch) | |
| HS-7100-83 G1 | 83.0 | 3.25 | 1250 | 281 | 160 | 6.30 | 40 | 1.57 | 1.87 |

HS-7100-83 G3 SERIES



Materials



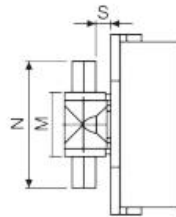
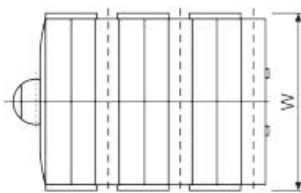
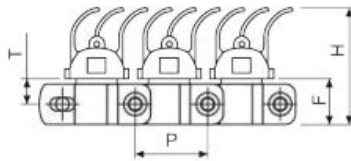
Sprockets
127



Applications

Plate Materials: POM-DP, POM-LF

Pin Material: Cold rolled austenitic stainless steel



| Dimension | mm | inches |
|-----------|------|--------|
| P | 33.5 | 1.319 |
| W | 83.0 | 3.268 |
| T | 12.5 | 0.492 |
| F | 21.5 | 0.846 |
| M | 31.0 | 1.220 |
| N | 58.2 | 2.291 |
| H | 53.5 | 2.106 |
| S | 7.0 | 0.276 |

HS-7100-83 G3 (Side Flexing Flexible Chains)

CHARACTERISTICS

| | Width W | | Working Load | | Radius | | Reverse Radius | | Weight (kg/m) |
|---------------|---------|--------|--------------|-----------|--------|--------|----------------|--------|------------------|
| | (mm) | (inch) | N(21°C) | lbs(21°C) | (mm) | (inch) | (mm) | (inch) | |
| HS-7100-83 G3 | 83.0 | 3.25 | 1250 | 281 | 160 | 6.30 | 40 | 1.57 | 1.62 |

HS-7100-83-TD SERIES



Materials



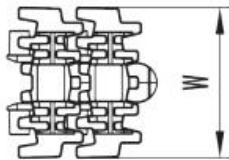
Sprockets
127



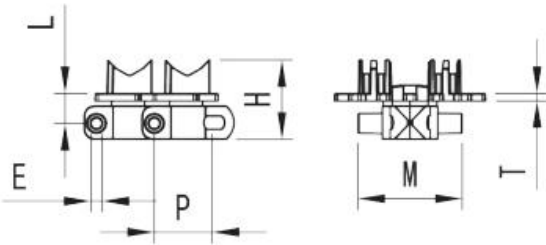
Applications

Plate Materials: POM-DP,POM-LF

Pin Material: Cold rolled austenitic stainless steel



| Dimension | mm | inches |
|-----------|------|--------|
| P | 32 | 1.26 |
| M | 57.7 | 2.272 |
| L | 16.5 | 0.65 |
| E | 6 | 0.236 |
| T | 4 | 0.157 |
| W | 83.6 | 3.291 |
| H | 44 | 1.732 |



HS-7100-83-TD (Side Flexing Plastic Chain)

CHARACTERISTICS

| | Width W | | Working Load | | Radius | | Reverse Radius | | Weight (kg/m) |
|---------------|---------|--------|--------------|-----------|--------|--------|----------------|--------|------------------|
| | (mm) | (inch) | N(21°C) | lbs(21°C) | (mm) | (inch) | (mm) | (inch) | |
| HS-7100-83-TD | 83.0 | 3.26 | 1250 | 281 | 160 | 6.30 | 40 | 1.57 | 1.43 |

HS-7100-103 G1 SERIES



Materials



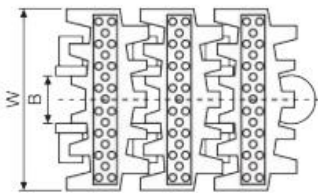
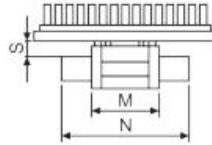
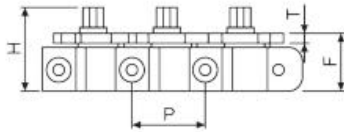
Sprockets
127



Applications

Plate Materials : POM-DP,POM-LF

Pin Material : Cold rolled austenitic stainless steel



| Dimension | mm | inches |
|-----------|-------|--------|
| P | 33.5 | 1.319 |
| W | 103.0 | 4.06 |
| T | 4.5 | 0.177 |
| F | 26.0 | 1.024 |
| M | 46.0 | 1.811 |
| N | 79 | 3.11 |
| H | 38.0 | 1.496 |

HS-7100-103 G1 (Side Flexing Flexible Chains)

CHARACTERISTICS

| | Width W | | Working Load | | Radius | | Reverse Radius | | Weight (kg/m) |
|----------------|---------|--------|--------------|-----------|--------|--------|----------------|--------|------------------|
| | (mm) | (inch) | N(21°C) | lbs(21°C) | (mm) | (inch) | (mm) | (inch) | |
| HS-7100-103 G1 | 103 | 4.06 | 1250 | 281 | 170 | 6.7 | 75 | 2.95 | 2.67 |

*TPE cover can be added on the surface. Customizing according to customer's drawing and sample is acceptable.

HS-7100-103-D SERIES



Materials



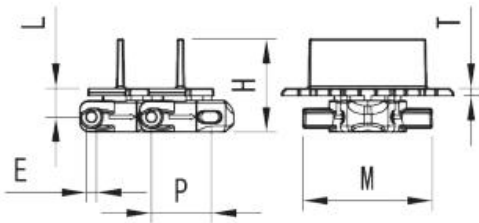
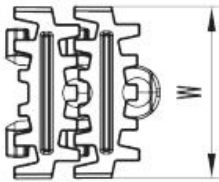
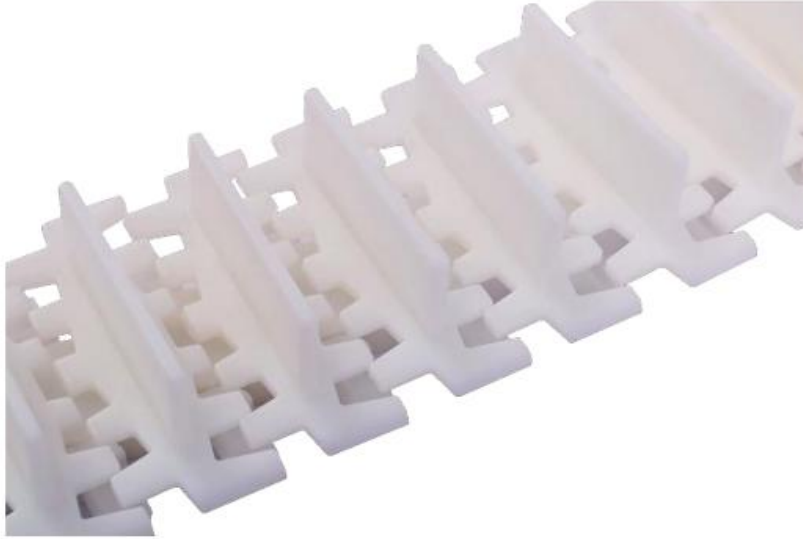
Sprockets
127



Applications

Plate Materials: POM-DP,POM-LF

Pin Material: Cold rolled austenitic stainless steel



| Dimension | mm | inches |
|-----------|-------|--------|
| P | 36 | 1.417 |
| M | 78 | 3.07 |
| L | 17.2 | 0.677 |
| H | 56.2 | 2.213 |
| E | 6 | 0.236 |
| T | 4.4 | 0.173 |
| W | 103.3 | 4.07 |

HS-7100-103-D (Side Flexing Plastic Chain)

CHARACTERISTICS

| | Width W | | Working Load | | Radius | | Reverse Radius | | Weight (kg/m) |
|------------------|---------|--------|--------------|-----------|--------|--------|----------------|--------|------------------|
| | (mm) | (inch) | N(21°C) | lbs(21°C) | (mm) | (inch) | (mm) | (inch) | |
| HS-7100-103-30mm | 103.0 | 4.06 | 1250 | 281 | 170 | 6.70 | 75 | 2.95 | 1.96 |

LBP Chains (Low Back-line Pressure)



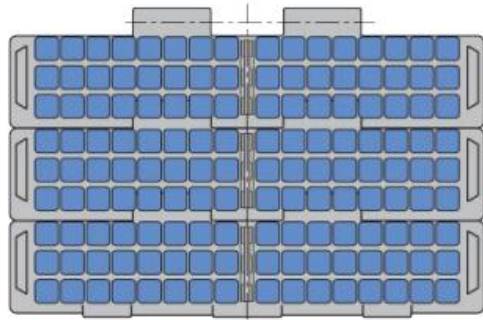
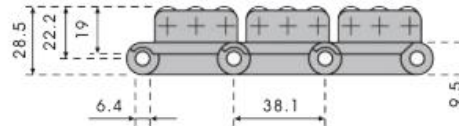
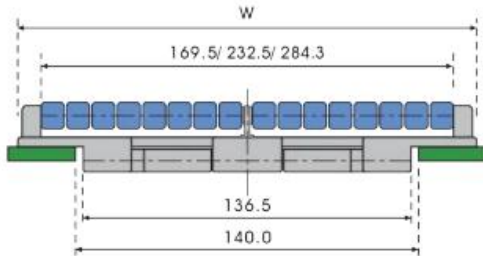
Materials



Sprockets
110-112



Applications



TRAVEL

HS-LBP 821 K750

HS-LBP 821

SUPER PERFORMANCE ACETAL RESIN

Plates in self-lubricating low friction acetal resin, dark grey-coloured.
pins in special chrome-nickel stainless steel, work hardened for high resistance.

PRODUCT CODES

HS-LBP 821-K750

HS-LBP 821-K1000

HS-LBP 821-K1200

CHARACTERISTICS

| | CODE | Material | | Breaking Load N | Width L | | R min. | SC | | Weight kg/m |
|------------------|-------|------------------|------------|-----------------|---------|--------|--------|----------|---------|-------------|
| | | Plate | Roller | | mm | inches | | Straight | Curving | |
| HS-LBP 821-K750 | 11055 | LFC Dark Grey | Water Blue | 8300 | 190.5 | 7 1/2 | -- | -- | -- | 5.52 |
| HS-LBP 821-K1000 | 11056 | | | | 254 | 10 | | | | 6.90 |
| HS-LBP 821-K1200 | 11057 | | | | 304.8 | 12 | | | | 8.70 |

-Standard shipping lengths=80 pitches=10 feet=3.048 metres.

-These chains can be supplied either with pins in austenitic stainless steel, work hardened, highly wear resistant, or with pins in thermoplastic resin.

LBP Chains (Low Back-line Pressure)



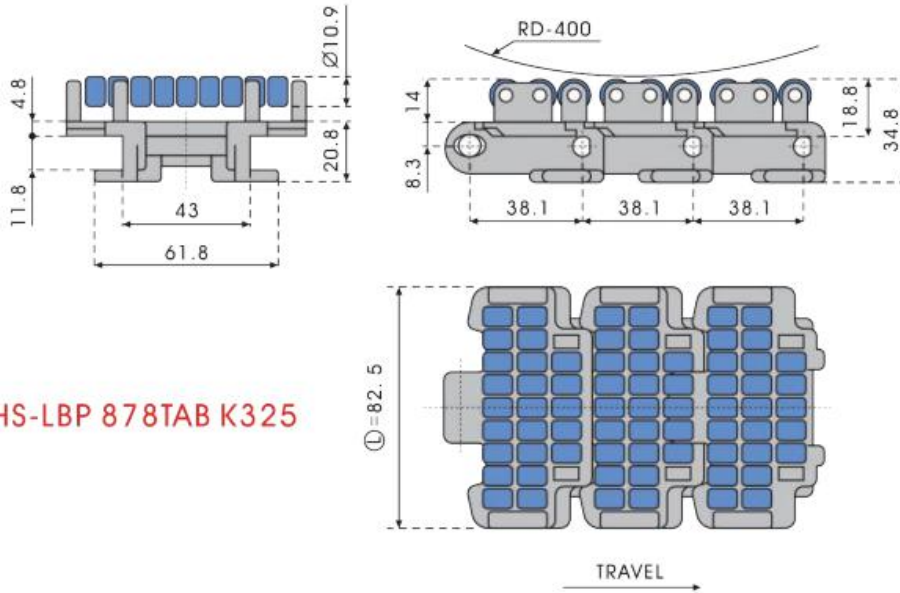
Materials



Sprockets
113-115



Applications



HS-LBP 878TAB K325

HS-LBP 878TAB

SUPER PERFORMANCE ACETAL RESIN

Plates in self-lubricating low friction acetal resin, dark grey-coloured.
pins in special chrome-nickel stainless steel, work hardened for high resistance.

PRODUCT CODES

HS-LBP 878TAB-K325

CHARACTERISTICS

| CHAIN REF. | CODE | Material | | Breaking Load N | Width L | | R min. | SC | | Weight kg/m |
|--------------------|-------|-------------------------|------------|-----------------|---------|--------|--------|----------|---------|-------------|
| | | Plate | Roller | | mm | inches | | Straight | Curving | |
| HS-LBP 878TAB-K325 | 11073 | LFG Dark Grey | Water Blue | 6000 | 82.5 | 3 1/4 | 190 | 46 | 45 | 3.20 |

-Standard shipping lengths=80 pitches=10 feet=3,048 metres.

-These chains can be supplied either with pins in austenitic stainless steel, work hardened, highly wear resistant, or with pins in thermoplastic resin.

LBP Chains (Low Back-line Pressure)



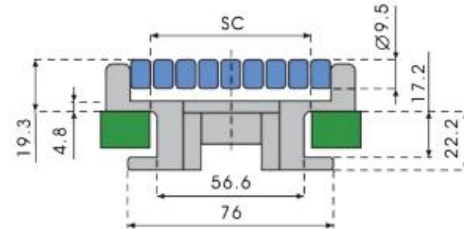
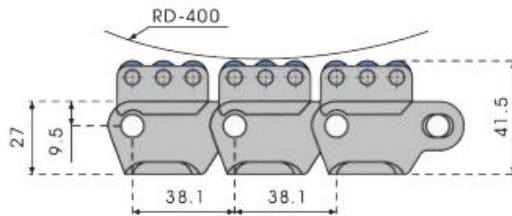
Materials



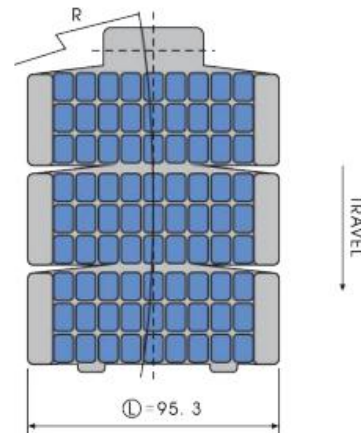
Sprockets
116-118



Applications



HS-LBP 882 TAB K375



HS-LBP 882TAB

SUPER PERFORMANCE ACETAL RESIN

Plates in self-lubricating low friction acetal resin, dark grey-coloured.
pins in special chrome-nickel stainless steel, work hardened for high resistance.

PRODUCT CODES

HS-LBP 882TAB-K375

HS-LBP 882TAB-K450

CHARACTERISTICS

| CHAIN REF. | CODE | Material | | Breaking Load N | Width L | | R min. | SC | | Weight kg/m |
|--------------------|-------|------------------|------------|-----------------|---------|--------|--------|----------|---------|-------------|
| | | Plate | Roller | | mm | inches | | Straight | Curving | |
| HS-LBP 882TAB-K375 | 11070 | LFC Dark Grey | Water Blue | 10000 | 95.3 | 3 3/4 | 610 | 60 | 58 | 3.31 |
| HS-LBP 882TAB-K450 | 11071 | | | | 114.3 | 4 1/2 | | | | |

-Standard shipping lengths=80 pitches=10 feet=3.048 metres.

-These chains can be supplied either with pins in austenitic stainless steel, work hardened, highly wear resistant, or with pins in thermoplastic resin.

LBP Chains
(Low Back-line Pressure)



Materials



Sprockets
116-118



Applications

HS-LBP 882TAB

SUPER PERFORMANCE ACETAL RESIN

Plates in self-lubricating low friction acetal resin, dark grey-coloured.
pins in special chrome-nickel stainless steel, work hardened for high resistance.

PRODUCT CODES

HS-LBP 882TAB-K750

HS-LBP 882TAB-K1000

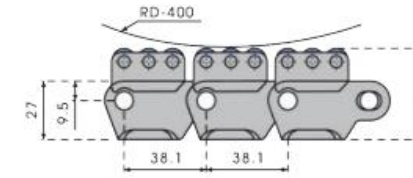
HS-LBP 882TAB-K1200

CHARACTERISTICS

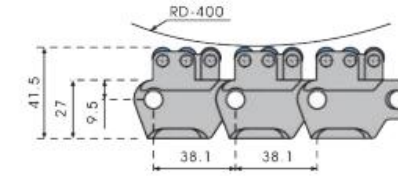
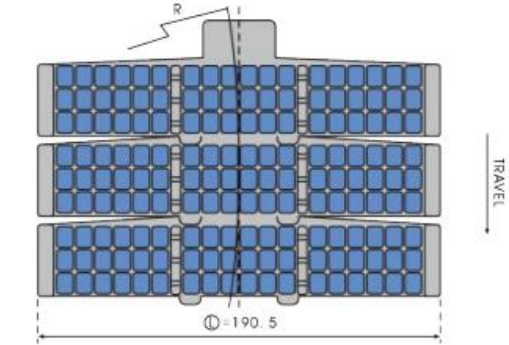
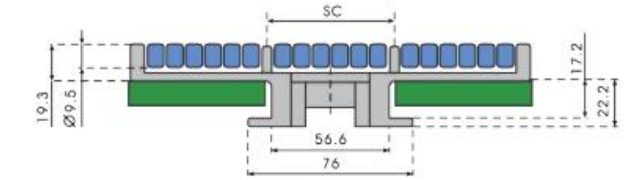
| | CODE | Material | | Breaking Load N | Width L | | R min. | SC | | Weight kg/m |
|---------------------|-------|-------------------------|------------|-----------------|---------|--------|--------|----------|---------|-------------|
| | | Plate | Roller | | mm | inches | | Straight | Curving | |
| HS-LBP 882TAB-K750 | 11072 | LFG Dark Grey | Water Blue | 10000 | 190.5 | 7 1/2 | 610 | 60 | 58 | 6.00 |
| HS-LBP 882TAB-K1000 | 11069 | | | | 254 | 10 | | | | |
| HS-LBP 882TAB-K1200 | 11068 | | | | 304.8 | 12 | | | | |

-Standard shipping lengths=80 pitches=10 feet=3.048 metres.

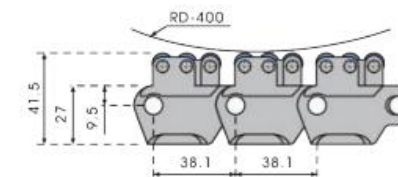
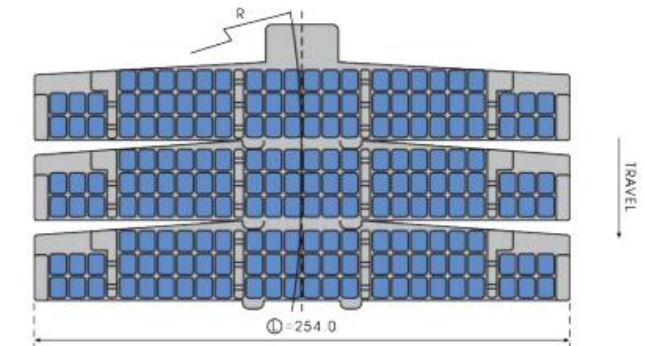
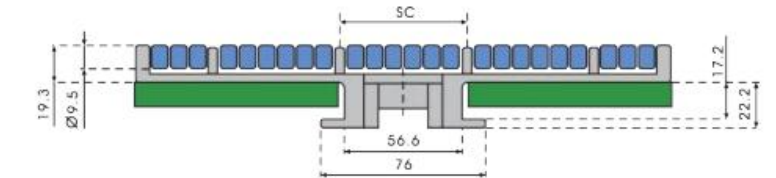
-These chains can be supplied either with pins in austenitic stainless steel, work hardened, highly wear resistant, or with pins in thermoplastic resin.



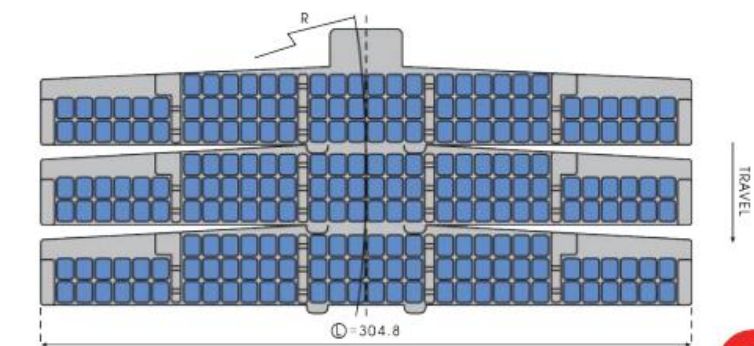
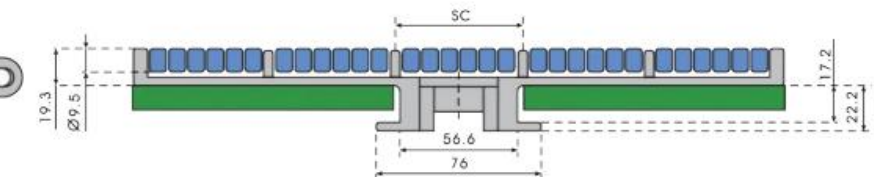
HS-LBP 882TAB K750



HS-LBP 882TAB K1000



HS-LBP 882TAB K1200



LBP Chains
(Low Back-line Pressure)



HS-LBP 882M

SUPER PERFORMANCE ACETAL RESIN

Plates in self-lubricating low friction acetal resin, dark grey-coloured.
pins in special chrome-nickel stainless steel, work hardened for high resistance.

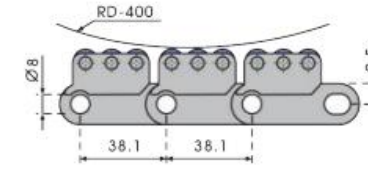
PRODUCT CODES

- HS-LBP 882M-K750
- HS-LBP 882M-K1000
- HS-LBP 882M-K1200

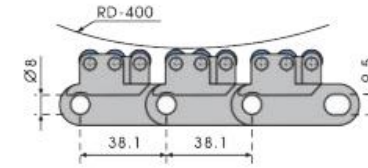
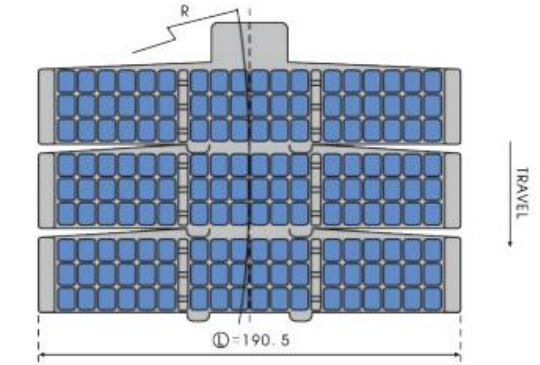
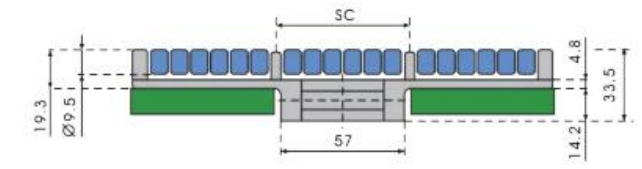
CHARACTERISTICS

| CHAIN REF. | CODE | Material | | Breaking Load N | Width L | | R min. | SC | | Weight kg/m | |
|-------------------|-------|------------------|------------|-----------------|---------|--------|--------|----------|---------|-------------|------|
| | | Plate | Roller | | mm | inches | | Straight | Curving | | |
| HS-LBP 882M-K750 | 11073 | LFG Dark Grey | Water Blue | 10000 | 190.5 | 7 1/2 | 610 | 61 | 60 | 5.70 | |
| HS-LBP 882M-K1000 | 11074 | | | | 254 | 10 | | | | | 7.30 |
| HS-LBP 882M-K1200 | 11075 | | | | 304.8 | 12 | | | | | 8.20 |

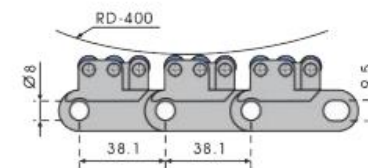
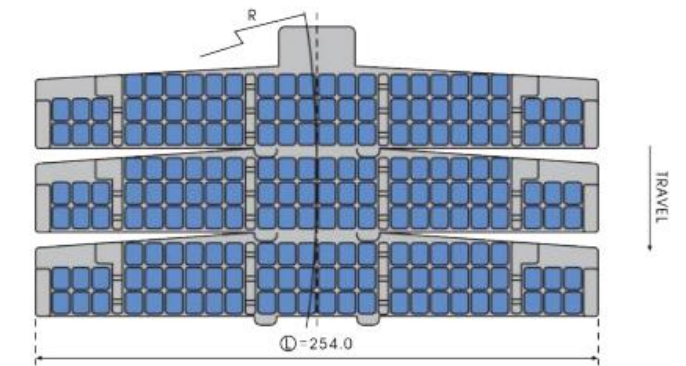
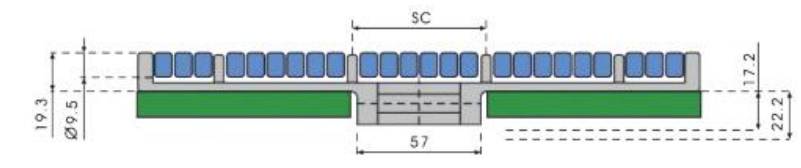
-Standard shipping lengths=80 pitches=10 feet=3.048 metres.
-These chains can be supplied either with pins in austenitic stainless steel, work hardened, highly wear resistant, or with pins in thermoplastic resin.



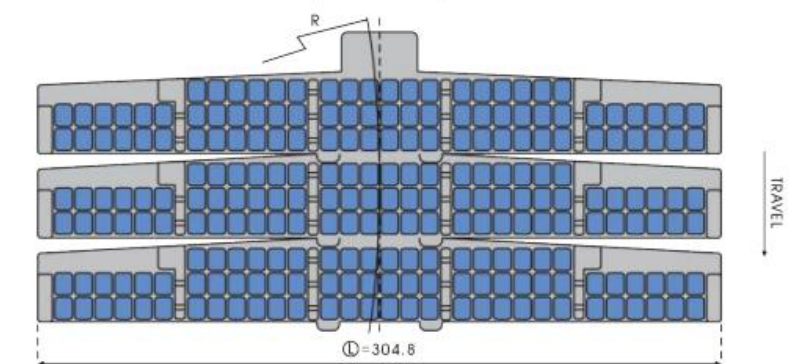
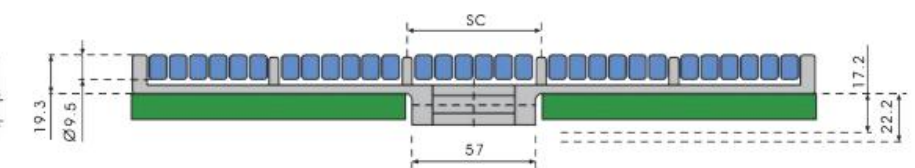
HS-LBP 882M K750



HS-LBP 882M K1000



HS-LBP 882M K1200



HS-915 SERIES



Materials



Sprockets
106-108
129/130

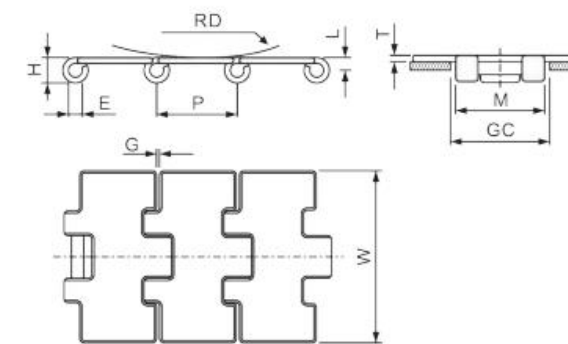


Applications

Plate Materials: S, SS-4, SS

Pin Material: Case hardened seetl(for carbon steel chains)

Cold rolled austenitic stainless steel(for stainless steel chains)



| Dimension | mm | inches |
|-----------|-------|--------|
| P | 38.1 | 1.500 |
| T | 3.0 | 0.118 |
| M | 42.0 | 1.654 |
| L | 6.4 | 0.252 |
| H | 13.0 | 0.512 |
| E | 6.4 | 0.250 |
| G | 1.6 | 0.063 |
| RD | 150.0 | 5.906 |
| GC | 44.0 | 1.732 |

HS-915 (Straight Running-Single Hinge)

CHARACTERISTICS

| | Width W | | Working Load | | Sideflexing Radius | | Weight (kg/m) |
|-----------------|---------|--------|--------------|-----------|--------------------|--------|------------------|
| | (mm) | (inch) | N(21°C) | lbs(21°C) | (mm) | (inch) | |
| HS-S 915 K325 | 82.6 | 3.25 | 12300 | 2768 | - | - | 2.73 |
| HS-S 915 K400 | 101.6 | 4.00 | 12300 | 2768 | - | - | 3.20 |
| HS-S 915 K450 | 114.3 | 4.50 | 12300 | 2768 | - | - | 3.48 |
| HS-S 915 K600 | 152.4 | 6.00 | 12300 | 2768 | - | - | 4.38 |
| HS-S 915 K750 | 190.5 | 7.50 | 12300 | 2768 | - | - | 5.27 |
| HS-SS 915-4K325 | 82.6 | 3.25 | 5800 | 1305 | - | - | 2.52 |
| HS-SS 915-4K330 | 83.8 | 3.30 | 5800 | 1305 | - | - | 2.55 |
| HS-SS 915-4K450 | 114.3 | 4.50 | 5800 | 1305 | - | - | 3.21 |
| HS-SS 915-4K750 | 190.5 | 7.50 | 5800 | 1305 | - | - | 4.87 |
| HS-SS 915 K325 | 82.6 | 3.25 | 5600 | 1260 | - | - | 2.73 |
| HS-SS 915 K400 | 101.6 | 4.00 | 5600 | 1260 | - | - | 3.20 |
| HS-SS 915 K450 | 114.3 | 4.50 | 5600 | 1260 | - | - | 3.48 |
| HS-SS 915 K600 | 152.4 | 6.00 | 5600 | 1260 | - | - | 4.38 |
| HS-SS 915 K750 | 190.5 | 7.50 | 5600 | 1260 | - | - | 5.27 |

STAINLESS STEEL CHAINS BELT



HS-915 SERIES



Materials



Sprockets
106-108
129/130

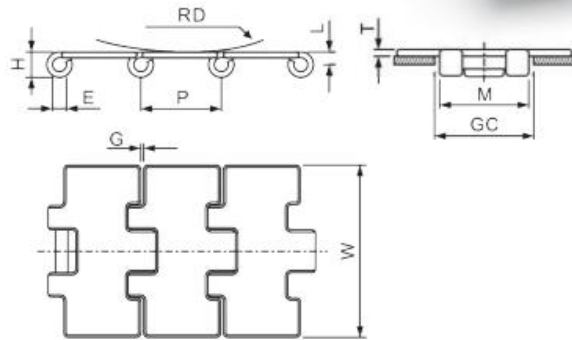


Applications

Plate Materials: P

Pin Material: Cold rolled austenitic stainless steel

XP series: brushed hinges for liners/inclined combiners



| Dimension | mm | inches |
|-----------|-------|--------|
| P | 38.1 | 1.500 |
| T | 3.0 | 0.118 |
| M | 42.0 | 1.654 |
| L | 6.4 | 0.252 |
| H | 13.0 | 0.512 |
| E | 6.4 | 0.250 |
| G | 1.6 | 0.063 |
| RD | 150.0 | 5.906 |
| GC | 44.0 | 1.732 |

HS-915 (Straight Running-Single Hinge)

CHARACTERISTICS

| | Width W | | Working Load | | Sideflexing Radius | | Weight (kg/m) |
|----------------|---------|--------|--------------|-----------|--------------------|--------|---------------|
| | (mm) | (inch) | N(21°C) | lbs(21°C) | (mm) | (inch) | |
| HS-P 915 K225 | 57.1 | 2.25 | 8500 | 1913 | - | - | 2.00 |
| HS-P 915 K250 | 63.5 | 2.50 | 8500 | 1913 | - | - | 2.14 |
| HS-P 915 K263 | 66.7 | 2.63 | 8500 | 1913 | - | - | 2.21 |
| HS-P 915 K325 | 82.6 | 3.25 | 8500 | 1913 | - | - | 2.57 |
| HS-P 915 K330 | 83.8 | 3.30 | 8500 | 1913 | - | - | 2.60 |
| HS-P 915 K350 | 88.9 | 3.50 | 8500 | 1913 | - | - | 2.71 |
| HS-P 915 K400 | 101.6 | 4.00 | 8500 | 1913 | - | - | 2.99 |
| HS-P 915 K450 | 114.3 | 4.50 | 8500 | 1913 | - | - | 3.28 |
| HS-P 915 K600 | 152.4 | 6.00 | 8500 | 1913 | - | - | 4.13 |
| HS-P 915 K750 | 190.5 | 7.50 | 8500 | 1913 | - | - | 4.98 |
| HS-XP 915 K325 | 82.6 | 3.25 | 8500 | 1913 | - | - | 2.57 |
| HS-XP 915 K330 | 83.8 | 3.30 | 8500 | 1913 | - | - | 2.60 |

HS-HD 915 (Straight Running-Single Hinge-Increased Pin Hardness)

CHARACTERISTICS

| | Width W | | Working Load | | Sideflexing Radius | | Weight (kg/m) |
|-----------------|---------|--------|--------------|-----------|--------------------|--------|---------------|
| | (mm) | (inch) | N(21°C) | lbs(21°C) | (mm) | (inch) | |
| HS-PHD 915 K325 | 82.6 | 3.25 | 8500 | 1913 | - | - | 2.57 |
| HS-PHD 915 K330 | 83.8 | 3.30 | 8500 | 1913 | - | - | 2.60 |
| HS-PHD 915 K450 | 114.3 | 4.50 | 8500 | 1913 | - | - | 3.28 |
| HS-PHD 915 K750 | 190.5 | 7.50 | 8500 | 1913 | - | - | 4.98 |

HS-2815 SERIES



Materials



Sprockets
131/132

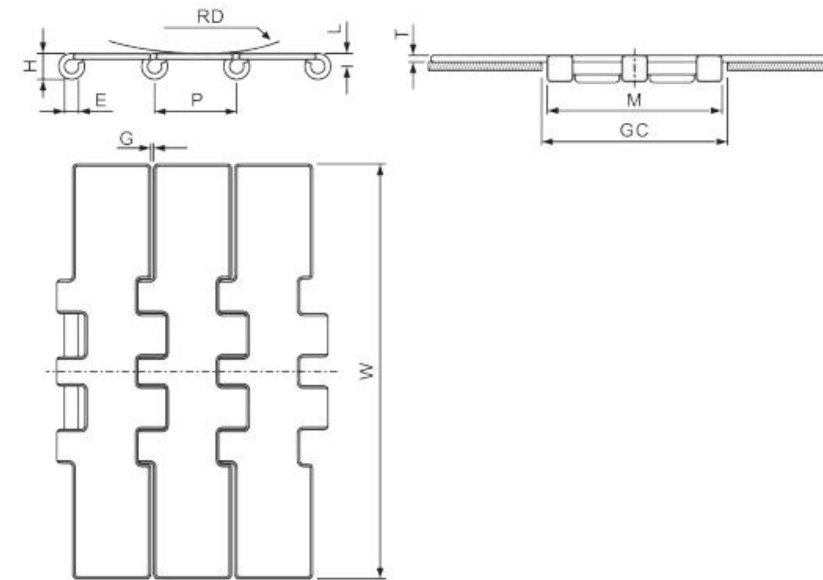


Applications

Plate Materials: S, SS-4, P, SS

Pin Material: Case hardened seetl(for carbon steel chains)

Cold rolled austenitic stainless steel(for stainless steel chains)



| Dimension | mm | inches |
|-----------|-------|--------|
| P | 38.1 | 1.500 |
| T | 3.0 | 0.118 |
| M | 80.0 | 3.150 |
| L | 6.4 | 0.252 |
| H | 13.0 | 0.512 |
| E | 6.4 | 0.250 |
| G | 1.8 | 0.071 |
| RD | 150.0 | 5.906 |
| GC | 82.5 | 3.248 |

HS-2815 (Straight Running-Single Hinge)

CHARACTERISTICS

| | Width W | | Working Load | | Sideflexing Radius | | Weight (kg/m) |
|-----------------|---------|--------|--------------|-----------|--------------------|--------|---------------|
| | (mm) | (inch) | N(21°C) | lbs(21°C) | (mm) | (inch) | |
| HS-S 2815 K750 | 190.5 | 7.50 | 18000 | 4050 | - | - | 5.90 |
| HS-SS 2815 K750 | 190.5 | 7.50 | 10300 | 2318 | - | - | 5.40 |
| HS-P 2815 K750 | 190.5 | 7.50 | 15000 | 3375 | - | - | 5.62 |
| HS-SS 2815 K750 | 190.5 | 7.50 | 10600 | 2385 | - | - | 5.40 |

HS-HD 9157 SERIES



Materials



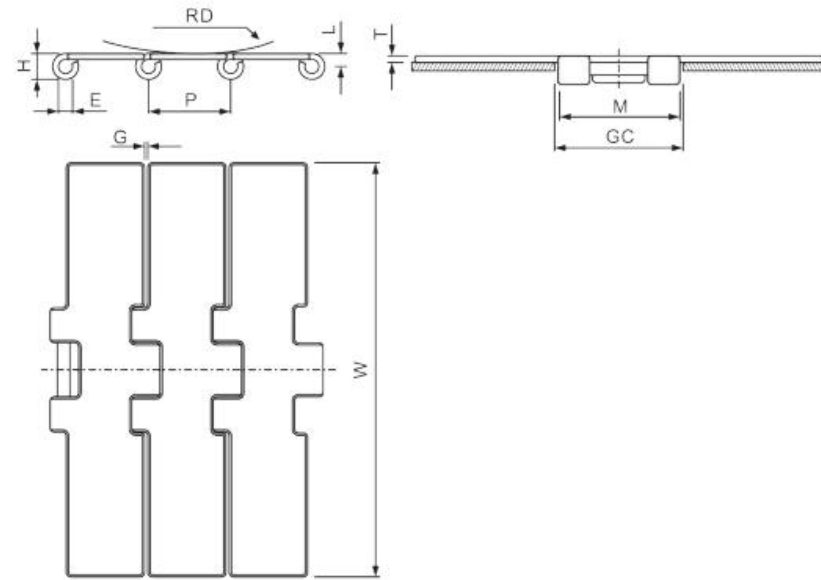
Sprockets
133



Applications

Plate Materials: P

Pin Material: Hardened martensitic stainless steel



| Dimension | mm | inches |
|-----------|-------|--------|
| P | 38.1 | 1.500 |
| T | 3.0 | 0.118 |
| M | 57.0 | 2.244 |
| L | 6.4 | 0.252 |
| H | 13.0 | 0.512 |
| E | 6.4 | 0.250 |
| G | 1.6 | 0.063 |
| RD | 150.0 | 5.906 |
| GC | 60.0 | 2.362 |

HS-HD 9157 (Straight Running-Single Hinge-Increased Pin Hardness)

| | Width W | | Working Load | | Sideflexing Radius | | Weight (kg/m) |
|------------------|---------|--------|--------------|-----------|--------------------|--------|------------------|
| | (mm) | (inch) | N(21°C) | lbs(21°C) | (mm) | (inch) | |
| HS-PHD 9157 K750 | 190.5 | 7.50 | 10500 | 2363 | - | - | 5.28 |

HS-803 SERIES



Materials



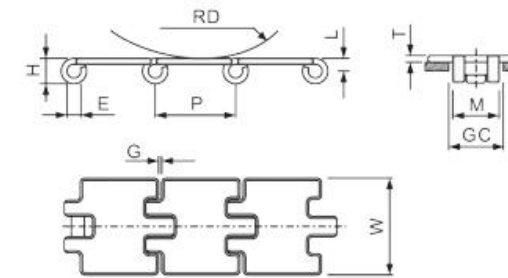
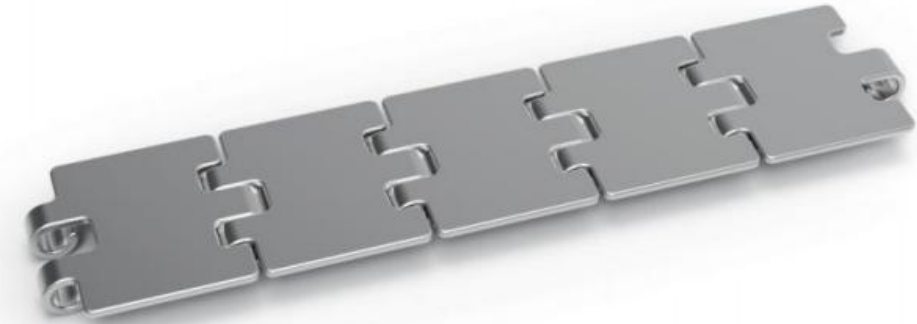
Sprockets
135



Applications

Plate Materials: P

Pin Material: Cold rolled austenitic stainless steel



| Dimension | mm | inches |
|-----------|------|--------|
| P | 38.1 | 1.500 |
| T | 3.0 | 0.118 |
| M | 22.0 | 0.866 |
| L | 6.4 | 0.252 |
| H | 13.0 | 0.512 |
| E | 6.4 | 0.250 |
| G | 2.8 | 0.110 |
| RD | 75.0 | 2.953 |
| GC | 24.0 | 0.945 |

HS-803 (Straight Running-Mini Hinge)

| | Width W | | Working Load | | Sideflexing Radius | | Weight (kg/m) |
|---------------|---------|--------|--------------|-----------|--------------------|--------|------------------|
| | (mm) | (inch) | N(21°C) | lbs(21°C) | (mm) | (inch) | |
| HS-P 803 K125 | 31.8 | 1.25 | 4100 | 923 | - | - | 1.07 |
| HS-P 803 K175 | 44.5 | 1.75 | 4100 | 923 | - | - | 1.34 |

HS-881 SERIES



Materials



Sprockets
106~108
136/137



Applications

Plate Materials: S, SS

Pin Material: Case hardened seetl(for carbon steel chains)
Cold rolled austenitic stainless steel(for stainless steel chains)



HS-981 SERIES



Materials



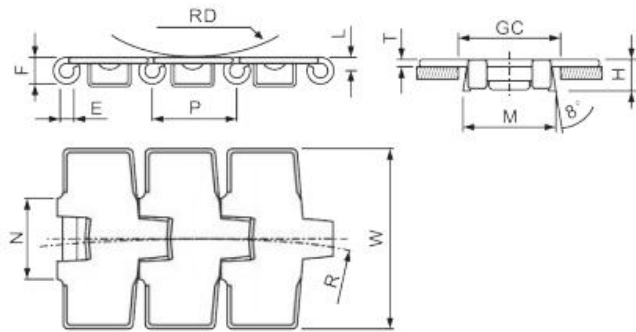
Sprockets
106~108
136/137



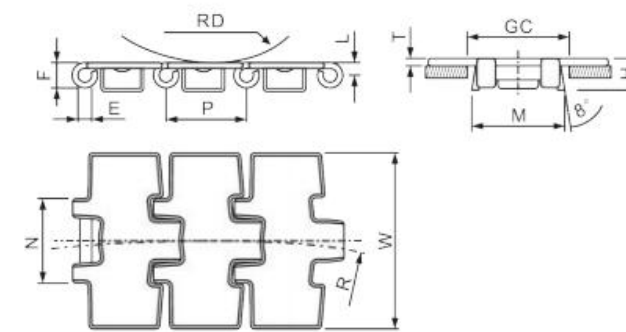
Applications

Plate Materials: P

Pin Material: Cold rolled austenitic stainless steel



| Dimension | mm | inches |
|--------------|------|--------|
| P | 38.1 | 1.500 |
| T | 3.0 | 0.118 |
| M | 43.0 | 1.693 |
| N | 38.3 | 1.508 |
| L | 6.4 | 0.252 |
| H | 14.5 | 0.571 |
| E | 6.4 | 0.250 |
| F | 13.0 | 0.512 |
| RD | 75.0 | 2.953 |
| GC(Straight) | 44.5 | 1.752 |
| GC(Curve) | 41.5 | 1.634 |



| Dimension | mm | inches |
|--------------|------|--------|
| P | 38.1 | 1.500 |
| T | 3.0 | 0.118 |
| M | 43.0 | 1.693 |
| N | 38.3 | 1.508 |
| L | 6.4 | 0.252 |
| H | 14.5 | 0.571 |
| E | 6.4 | 0.250 |
| F | 13.0 | 0.512 |
| RD | 75.0 | 2.953 |
| GC(Straight) | 44.5 | 1.752 |
| GC(Curve) | 41.5 | 1.634 |

HS-881 (Sideflexing-Bevel)

| | Width W | | Working Load | | Sideflexing Radius | | Weight (kg/m) |
|----------------|---------|--------|--------------|-----------|--------------------|--------|---------------|
| | (mm) | (inch) | N(21°C) | lbs(21°C) | (mm) | (inch) | |
| HS-S 881 K325 | 82.6 | 3.25 | 11600 | 2610 | 457.2 | 18 | 2.74 |
| HS-S 881 K450 | 114.3 | 4.50 | 11600 | 2610 | 609.6 | 24 | 3.37 |
| HS-S 881 K750 | 190.5 | 7.50 | 11600 | 2610 | 609.6 | 24 | 4.78 |
| HS-SS 881 K325 | 82.6 | 3.25 | 5600 | 1260 | 457.2 | 18 | 2.76 |
| HS-SS 881 K450 | 114.3 | 4.50 | 5600 | 1260 | 609.6 | 24 | 3.40 |
| HS-SS 881 K750 | 190.5 | 7.50 | 5600 | 1260 | 609.6 | 24 | 4.82 |

HS-981 (Sideflexing-Bevel-Reduced plate gap)

| | Width W | | Working Load | | Sideflexing Radius | | Weight (kg/m) |
|---------------|---------|--------|--------------|-----------|--------------------|--------|---------------|
| | (mm) | (inch) | N(21°C) | lbs(21°C) | (mm) | (inch) | |
| HS-P 981 K325 | 82.6 | 3.25 | 8000 | 1800 | 457.2 | 18 | 2.72 |
| HS-P 981 K330 | 83.8 | 3.30 | 8000 | 1800 | 457.2 | 18 | 2.75 |
| HS-P 981 K450 | 114.3 | 4.50 | 8000 | 1800 | 609.6 | 24 | 3.35 |
| HS-P 981 K750 | 190.5 | 7.50 | 8000 | 1800 | 609.6 | 24 | 4.76 |

HS-881TAB SERIES



Materials



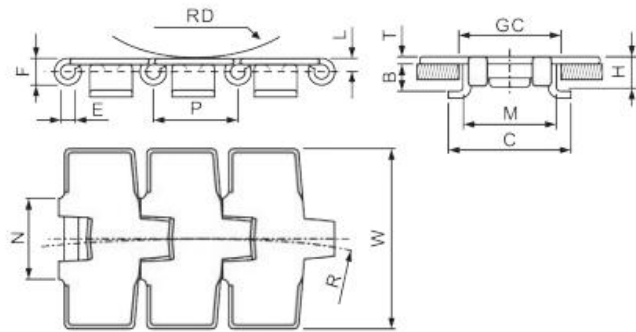
Sprockets
134/136/137



Applications

Plate Materials: S, SS

Pin Material: Case hardened seel(for carbon steel chains)
Cold rolled austenitic stainless steel(for stainless steel chains)



| Dimension | mm | inches |
|--------------|------|--------|
| P | 38.1 | 1.500 |
| T | 3.0 | 0.118 |
| M | 43.0 | 1.693 |
| N | 38.3 | 1.508 |
| C | 56.0 | 2.205 |
| L | 6.4 | 0.252 |
| H | 19.3 | 0.760 |
| E | 6.4 | 0.250 |
| B | 12.8 | 0.504 |
| F | 13.0 | 0.512 |
| RD | 75.0 | 2.953 |
| GC(Straight) | 46.0 | 1.811 |
| GC(Curve) | 44.5 | 1.752 |

HS-881TAB (Sideflexing-Tab)

CHARACTERISTICS

| | Width W | | Working Load | | Sideflexing Radius | | Weight (kg/m) |
|-------------------|---------|--------|--------------|-----------|--------------------|--------|---------------|
| | (mm) | (inch) | N(21°C) | lbs(21°C) | (mm) | (inch) | |
| HS-S 881TAB K325 | 82.6 | 3.25 | 11600 | 2610 | 457.2 | 18 | 2.96 |
| HS-S 881TAB K450 | 114.3 | 4.50 | 11600 | 2610 | 609.6 | 24 | 3.60 |
| HS-S 881TAB K750 | 190.5 | 7.50 | 11600 | 2610 | 609.6 | 24 | 5.00 |
| HS-SS 881TAB K325 | 82.6 | 3.25 | 5600 | 1260 | 457.2 | 18 | 2.99 |
| HS-SS 881TAB K450 | 114.3 | 4.50 | 5600 | 1260 | 609.6 | 24 | 3.63 |
| HS-SS 881TAB K750 | 190.5 | 7.50 | 5600 | 1260 | 609.6 | 24 | 5.05 |

HS-981TAB SERIES



Materials



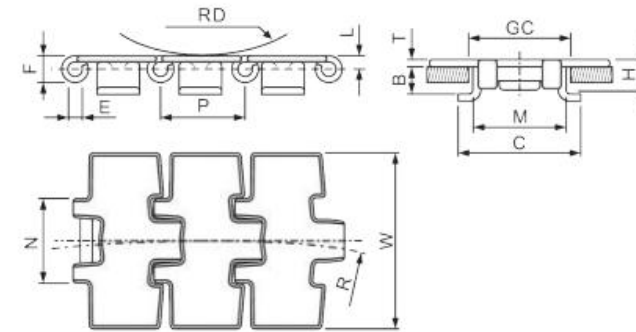
Sprockets
134/136/137



Applications

Plate Materials: P

Pin Material: Cold rolled austenitic stainless steel



| Dimension | mm | inches |
|--------------|------|--------|
| P | 38.1 | 1.500 |
| T | 3.0 | 0.118 |
| M | 43.0 | 1.693 |
| N | 38.3 | 1.508 |
| C | 56.0 | 2.205 |
| L | 6.4 | 0.252 |
| H | 19.3 | 0.760 |
| E | 6.4 | 0.250 |
| B | 12.8 | 0.504 |
| F | 13.0 | 0.512 |
| RD | 75.0 | 2.953 |
| GC(Straight) | 46.0 | 1.811 |
| GC(Curve) | 44.5 | 1.752 |

HS-981TAB (Sideflexing-Tab-Reduced plate gap)

CHARACTERISTICS

| | Width W | | Working Load | | Sideflexing Radius | | Weight (kg/m) |
|------------------|---------|--------|--------------|-----------|--------------------|--------|---------------|
| | (mm) | (inch) | N(21°C) | lbs(21°C) | (mm) | (inch) | |
| HS-P 981TAB K325 | 82.6 | 3.25 | 8000 | 1800 | 457.2 | 18 | 2.95 |
| HS-P 981TAB K330 | 83.8 | 3.30 | 8000 | 1800 | 457.2 | 18 | 2.96 |
| HS-P 981TAB K450 | 114.3 | 4.50 | 8000 | 1800 | 609.6 | 24 | 3.58 |
| HS-P 981TAB K750 | 190.5 | 7.50 | 8000 | 1800 | 609.6 | 24 | 4.99 |

HS-981M SERIES



Materials



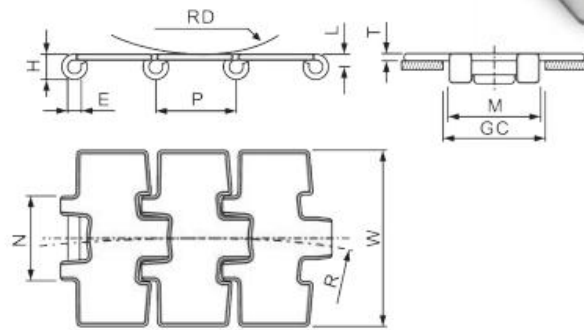
Sprockets
106-109
129/130



Applications

Plate Materials: **SS-4, P**

Pin Material: Cold rolled austenitic stainless steel (for 981M series)
Hardened martensitic stainless steel (for HD 981M series)



| Dimension | mm | inches |
|--------------|------|--------|
| P | 38.1 | 1.500 |
| T | 3.0 | 0.118 |
| M | 42.0 | 1.654 |
| L | 6.4 | 0.252 |
| H | 13.0 | 0.512 |
| E | 6.4 | 0.250 |
| RD | 75.0 | 2.953 |
| GC(Straight) | 44.0 | 1.732 |
| GC(Curve) | 44.0 | 1.732 |

HS-981M (Sideflexing-Magnetic-Reduced plate gap)

| | Width W | | Working Load | | Sideflexing Radius | | Weight (kg/m) |
|-------------------|---------|--------|--------------|-----------|--------------------|--------|---------------|
| | (mm) | (inch) | N(21°C) | lbs(21°C) | (mm) | (inch) | |
| HS-SS 981M-4 K325 | 82.6 | 3.25 | 5400 | 1215 | 500 | 19.69 | 2.40 |
| HS-SS 981M-4K330 | 83.8 | 3.30 | 5400 | 1215 | 500 | 19.69 | 2.42 |
| HS-P 981M K325 | 82.6 | 3.25 | 8500 | 1913 | 500 | 19.69 | 2.46 |
| HS-P 981M K330 | 83.8 | 3.30 | 8500 | 1913 | 500 | 19.69 | 2.48 |
| HS-P 981M K450 | 114.3 | 4.50 | 8500 | 1913 | 500 | 19.69 | 3.08 |
| HS-P 981M K750 | 190.5 | 7.50 | 8500 | 1913 | 500 | 19.69 | 4.47 |

HS-HD 981M (Sideflexing-Magnetic-Reduced plate gap-Increased Pin Hardness)

| | Width W | | Working Load | | Sideflexing Radius | | Weight (kg/m) |
|------------------|---------|--------|--------------|-----------|--------------------|--------|---------------|
| | (mm) | (inch) | N(21°C) | lbs(21°C) | (mm) | (inch) | |
| HS-PHD 981M K325 | 82.6 | 3.25 | 8500 | 1913 | 500 | 19.69 | 2.46 |
| HS-PHD 981M K330 | 83.8 | 3.30 | 8500 | 1913 | 500 | 19.69 | 2.48 |
| HS-PHD 981M K450 | 114.3 | 4.50 | 8500 | 1913 | 500 | 19.69 | 3.08 |
| HS-PHD 981M K750 | 190.5 | 7.50 | 8500 | 1913 | 500 | 19.69 | 4.47 |

HS-HD 9857M SERIES



Materials



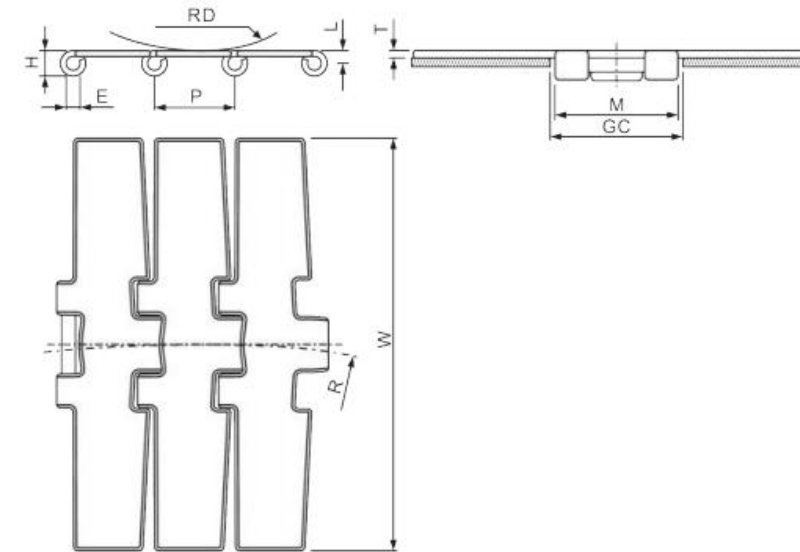
Sprockets
133/134



Applications

Plate Materials: **P**

Pin Material: Hardened martensitic stainless steel



| Dimension | mm | inches |
|--------------|------|--------|
| P | 38.1 | 1.500 |
| T | 3.0 | 0.118 |
| M | 57.0 | 2.244 |
| L | 6.4 | 0.252 |
| H | 13.0 | 0.512 |
| E | 6.4 | 0.250 |
| RD | 75.0 | 2.953 |
| GC(Straight) | 60.0 | 2.362 |
| GC(Curve) | 60.0 | 2.362 |

HS-HD 9857M (Sideflexing-Magnetic-Heavy Duty Single Hinge-Increased Pin Hardness)

| | Width W | | Working Load | | Sideflexing Radius | | Weight (kg/m) |
|-------------------|---------|--------|--------------|-----------|--------------------|--------|---------------|
| | (mm) | (inch) | N(21°C) | lbs(21°C) | (mm) | (inch) | |
| HS-PHD 9857M K750 | 190.5 | 7.50 | 10500 | 2363 | 750 | 29.53 | 4.97 |

HS-982TAB SERIES



Materials



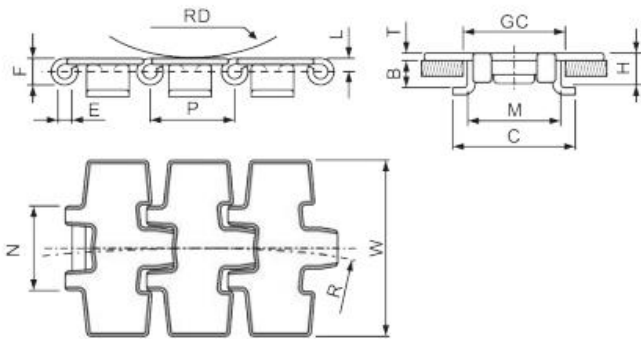
Sprockets
134/136/137



Applications

Plate Materials: SS

Pin Material: Cold rolled austenitic stainless steel



| Dimension | mm | inches |
|--------------|------|--------|
| P | 38.1 | 1.500 |
| T | 3.0 | 0.118 |
| M | 43.0 | 1.693 |
| N | 38.3 | 1.508 |
| C | 56.0 | 2.205 |
| L | 6.4 | 0.252 |
| H | 19.3 | 0.760 |
| E | 6.4 | 0.250 |
| B | 12.8 | 0.504 |
| F | 13.0 | 0.512 |
| RD | 75.0 | 2.953 |
| GC(Straight) | 46.0 | 1.811 |
| GC(Curve) | 44.5 | 1.752 |

HS-982TAB (Sideflexing-Tab-Reduced Sideflexing Radius)

| CHARACTERISTICS | Width W | | Working Load | | Sideflexing Radius | | Weight (kg/m) |
|-------------------|---------|--------|--------------|-----------|--------------------|--------|---------------|
| | (mm) | (inch) | N(21°C) | lbs(21°C) | (mm) | (inch) | |
| HS-SS 982TAB K325 | 82.6 | 3.25 | 5000 | 1125 | 200 | 7.87 | 3.00 |

HS-915-EL SERIES



Materials



Sprockets
106~108
129/130

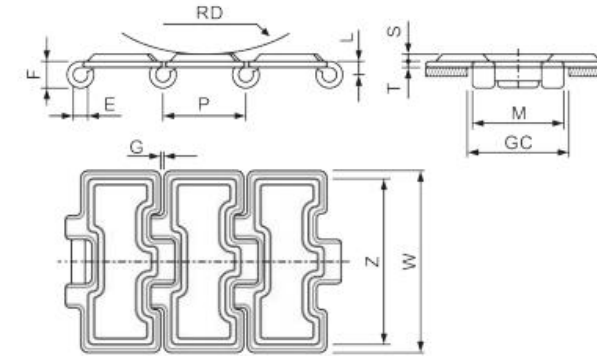


Applications

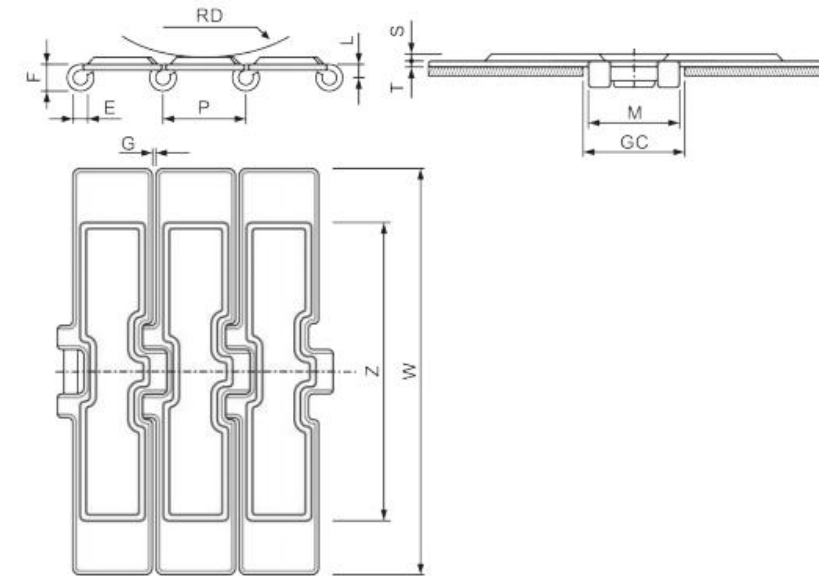
Plate Materials: P

Pad Material: Nitrilic rubber PG

Pin Material: Cold rolled austenitic stainless steel



| Dimension | mm | inches |
|-----------|-------|--------|
| P | 38.1 | 1.500 |
| T | 3.0 | 0.118 |
| S | 3.0 | 0.118 |
| M | 42.0 | 1.654 |
| L | 6.4 | 0.252 |
| H | 13.0 | 0.512 |
| E | 6.4 | 0.250 |
| Z | 76.0 | 2.992 |
| G | 1.6 | 0.063 |
| RD | 150.0 | 5.906 |
| GC | 44.0 | 1.732 |



| Dimension | mm | inches |
|-----------|-------|--------|
| P | 38.1 | 1.500 |
| T | 3.0 | 0.118 |
| S | 3.0 | 0.118 |
| M | 42.0 | 1.654 |
| L | 6.4 | 0.252 |
| H | 13.0 | 0.512 |
| E | 6.4 | 0.250 |
| Z | 146.0 | 5.748 |
| G | 1.6 | 0.063 |
| RD | 150.0 | 5.906 |
| GC | 44.0 | 1.732 |

HS-915-EL (Straight Running-Single Hinge-Rubberized Surface)

| CHARACTERISTICS | Width W | | Working Load | | Sideflexing Radius | | Weight (kg/m) |
|-----------------|---------|--------|--------------|-----------|--------------------|--------|---------------|
| | (mm) | (inch) | N(21°C) | lbs(21°C) | (mm) | (inch) | |
| HS-915M-EL K325 | 82.6 | 3.25 | 8500 | 1913 | - | - | 2.57 |
| HS-915M-EL K450 | 114.3 | 4.50 | 8500 | 1913 | - | - | 3.28 |
| HS-915M-EL K750 | 190.5 | 7.50 | 8500 | 1913 | - | - | 4.99 |

HS-2815-EL SERIES



Materials

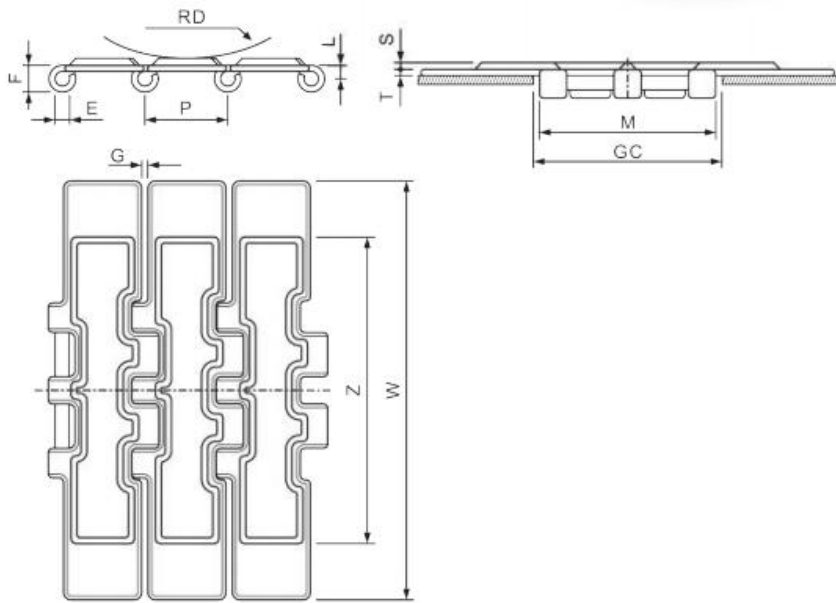


Sprockets
111/131/132



Applications

Plate Materials: P
Pad Material: Nitrilic rubber PG
Pin Material: Cold rolled austenitic stainless steel



| Dimension | mm | inches |
|-----------|-------|--------|
| P | 38.1 | 1.500 |
| T | 3.0 | 0.118 |
| S | 3.0 | 0.118 |
| M | 80.0 | 3.150 |
| L | 6.4 | 0.252 |
| H | 13.0 | 0.512 |
| E | 6.4 | 0.250 |
| Z | 140.0 | 5.512 |
| G | 1.8 | 0.071 |
| RD | 150.0 | 5.906 |
| GC | 82.5 | 3.248 |

HS-2815-EL (Straight Running-Double Hinge-Rubberized Surface)

| | Width W | | Working Load | | Sideflexing Radius | | Weight (kg/m) |
|-----------------|---------|--------|--------------|-----------|--------------------|--------|------------------|
| | (mm) | (inch) | N(21°C) | lbs(21°C) | (mm) | (inch) | |
| HS-2815-EL K750 | 190.5 | 7.50 | 15000 | 3375 | - | - | 5.94 |

HS-HD9157-EL SERIES



Materials

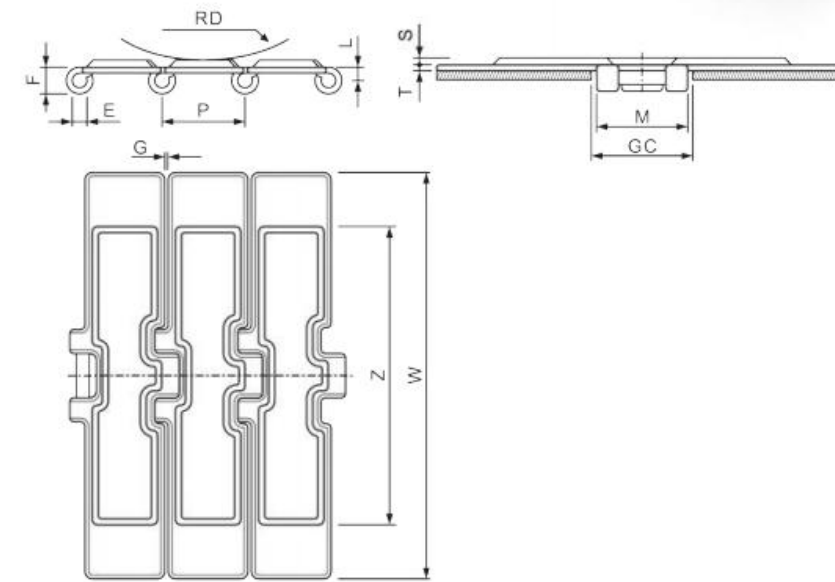
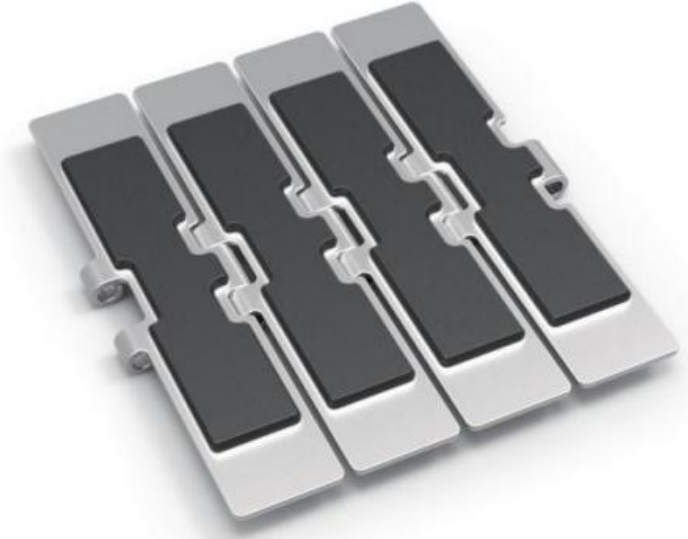


Sprockets
133



Applications

Plate Materials: P
Pad Material: Nitrilic rubber PG
Pin Material: Hardened martensitic stainless steel



| Dimension | mm | inches |
|-----------|-------|--------|
| P | 38.1 | 1.500 |
| T | 3.0 | 0.118 |
| S | 3.0 | 0.118 |
| M | 57.0 | 2.244 |
| L | 6.4 | 0.252 |
| H | 13.0 | 0.512 |
| E | 6.4 | 0.250 |
| Z | 139.5 | 5.492 |
| G | 1.6 | 0.063 |
| RD | 150.0 | 5.906 |
| GC | 60.0 | 2.362 |

HS-HD9157-EL (Straight Running-Heavy Duty Single Hinge-Increased Pin Hardness-Rubberized Surface)

| | Width W | | Working Load | | Sideflexing Radius | | Weight (kg/m) |
|-------------------|---------|--------|--------------|-----------|--------------------|--------|------------------|
| | (mm) | (inch) | N(21°C) | lbs(21°C) | (mm) | (inch) | |
| HS-HD9157-EL K750 | 190.5 | 7.50 | 10500 | 2363 | - | - | 5.60 |

HS-981TAB-EL SERIES



Materials

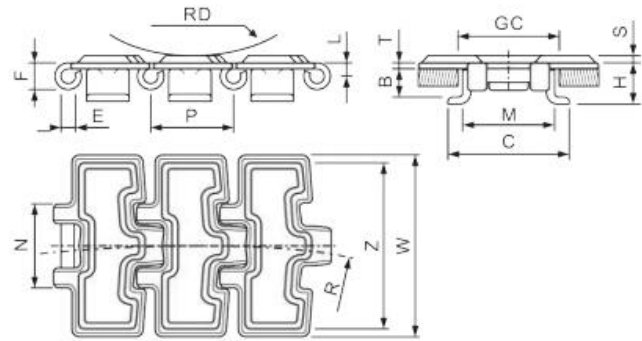


Sprockets
134/136/137

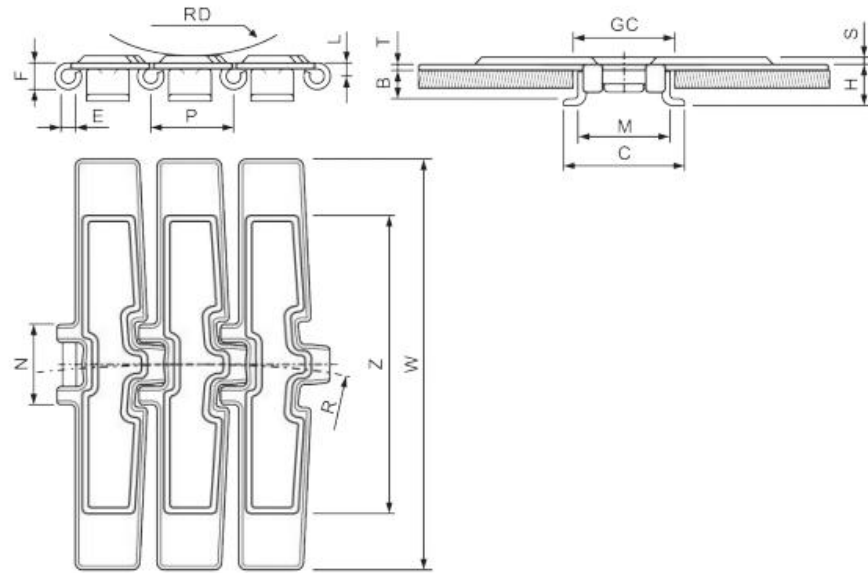


Applications

Plate Materials: P
Pad Material: Nitrilic rubber PG
Pin Material: Cold rolled austenitic stainless steel



| Dimension | mm | inches |
|--------------|------|--------|
| P | 38.1 | 1.500 |
| T | 3.0 | 0.118 |
| S | 3.0 | 0.118 |
| M | 43.0 | 1.693 |
| N | 38.3 | 1.508 |
| C | 56.0 | 2.205 |
| L | 6.4 | 0.252 |
| H | 19.3 | 0.760 |
| E | 6.4 | 0.250 |
| B | 12.8 | 0.504 |
| F | 13.0 | 0.512 |
| Z | 76.0 | 2.992 |
| RD | 75.0 | 2.953 |
| GC(Straight) | 46.0 | 1.811 |
| GC(Curve) | 44.5 | 1.752 |



| Dimension | mm | inches |
|--------------|-------|--------|
| P | 38.1 | 1.500 |
| T | 3.0 | 0.118 |
| S | 3.0 | 0.118 |
| M | 43.0 | 1.693 |
| N | 38.3 | 1.508 |
| C | 56.0 | 2.205 |
| L | 6.4 | 0.252 |
| H | 19.3 | 0.760 |
| E | 6.4 | 0.250 |
| B | 12.8 | 0.504 |
| F | 13.0 | 0.512 |
| Z | 146.0 | 5.748 |
| RD | 75.0 | 2.953 |
| GC(Straight) | 46.0 | 1.811 |
| GC(Curve) | 44.5 | 1.752 |

HS-981TAB-EL (Sideflexing-Tab-Reduced plate gap)

| | Width W | | Working Load | | Sideflexing Radius | | Weight (kg/m) |
|-------------------|---------|--------|--------------|-----------|--------------------|--------|---------------|
| | (mm) | (inch) | N(21°C) | lbs(21°C) | (mm) | (inch) | |
| HS-981TAB-EL K325 | 82.6 | 3.25 | 8000 | 1800 | 457.2 | 18 | 3.07 |
| HS-981TAB-EL K750 | 190.5 | 7.50 | 8000 | 1800 | 609.6 | 24 | 5.30 |

HS-981M-EL SERIES



Materials

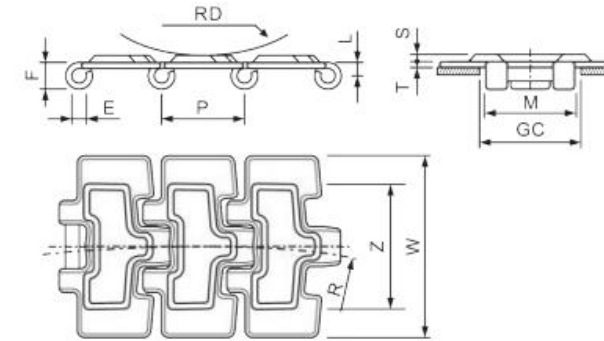


Sprockets
106-108
129/130

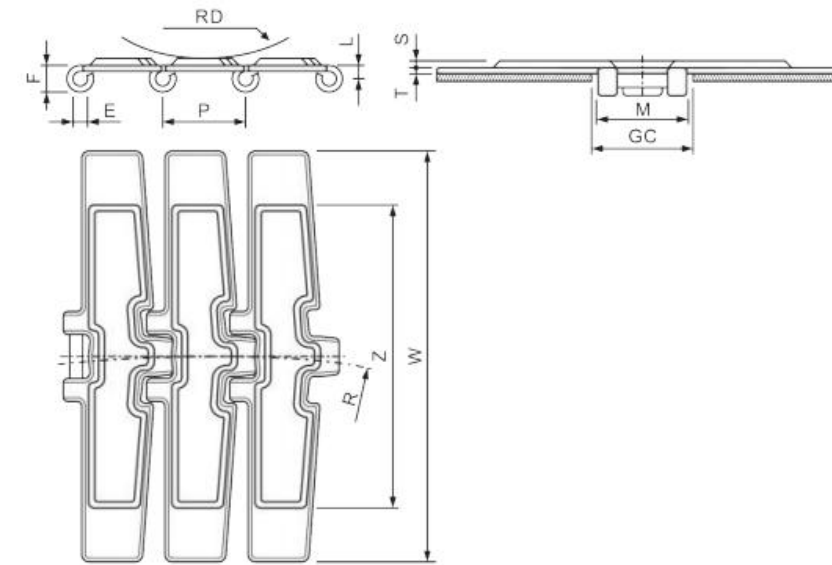


Applications

Plate Materials: P
Pad Material: Nitrilic rubber PG
Pin Material: Cold rolled austenitic stainless steel



| Dimension | mm | inches |
|--------------|------|--------|
| P | 38.1 | 1.500 |
| T | 3.0 | 0.118 |
| S | 3.0 | 0.118 |
| M | 42.0 | 1.654 |
| L | 6.4 | 0.252 |
| H | 13.0 | 0.512 |
| E | 6.4 | 0.250 |
| Z | 57.0 | 2.244 |
| RD | 75.0 | 2.953 |
| GC(Straight) | 44.0 | 1.732 |
| GC(Curve) | 44.0 | 1.732 |



| Dimension | mm | inches |
|--------------|-------|--------|
| P | 38.1 | 1.500 |
| T | 3.0 | 0.118 |
| S | 3.0 | 0.118 |
| M | 42.0 | 1.654 |
| L | 6.4 | 0.252 |
| H | 13.0 | 0.512 |
| E | 6.4 | 0.250 |
| Z | 146.0 | 5.748 |
| RD | 75.0 | 2.953 |
| GC(Straight) | 44.0 | 1.732 |
| GC(Curve) | 44.0 | 1.732 |

HS-981M-EL (Sideflexing-Magnetic-Reduced plate gap-Rubberized Surface)

| | Width W | | Working Load | | Sideflexing Radius | | Weight (kg/m) |
|------------------|---------|--------|--------------|-----------|--------------------|--------|---------------|
| | (mm) | (inch) | N(21°C) | lbs(21°C) | (mm) | (inch) | |
| HS-P981M-EL K325 | 82.6 | 3.25 | 8500 | 1913 | 500 | 19.685 | 2.57 |
| HS-P981M-EL K750 | 190.5 | 7.50 | 8500 | 1913 | 500 | 19.685 | 4.77 |

HS-HD 9857M-EL SERIES



Materials



Sprockets
133/134

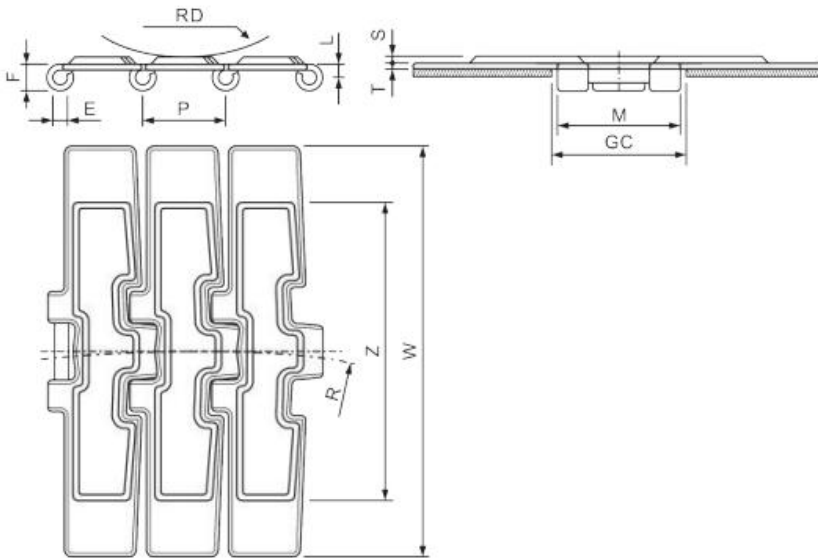


Applications

Plate Materials: P

Pad Material: Nitrilic rubber PG

Pin Material: Cold rolled austenitic stainless steel



| Dimension | mm | inches |
|--------------|-------|--------|
| P | 38.1 | 1.500 |
| T | 3.0 | 0.118 |
| S | 3.0 | 0.118 |
| M | 57.0 | 2.244 |
| L | 6.4 | 0.252 |
| H | 13.0 | 0.512 |
| E | 6.4 | 0.250 |
| Z | 139.5 | 5.492 |
| RD | 75.0 | 2.953 |
| GC(Straight) | 60.0 | 2.362 |
| GC(Curve) | 60.0 | 2.362 |

HS-HD 9857M-EL (Sideflexing-Magnetic-Heavy Duty Single Hinge-Increased Pin Hardness-Rubberized Surface)

CHARACTERISTICS

| | Width W | | Working Load | | Sideflexing Radius | | Weight (kg/m) |
|---------------------|---------|--------|--------------|-----------|--------------------|--------|------------------|
| | (mm) | (inch) | N(21°C) | lbs(21°C) | (mm) | (inch) | |
| HS-HD 9857M-EL K750 | 190.5 | 7.50 | 10500 | 2363 | 750 | 29.528 | 5.26 |

HS-812 SERIES



Materials



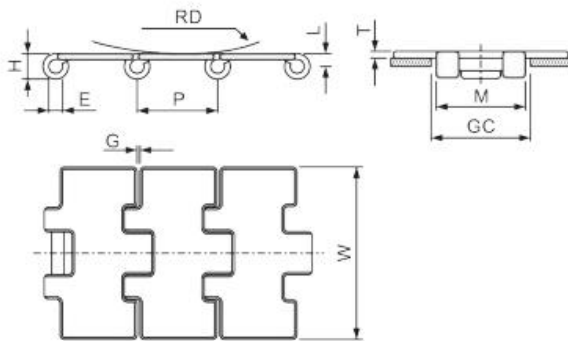
Sprockets
106-108
129/130



Applications

Plate Materials: SS

Pin Material: Cold rolled austenitic stainless steel(for stainless steel chains)



| Dimension | mm | inches |
|-----------|-------|--------|
| P | 38.1 | 1.500 |
| T | 3.0 | 0.118 |
| M | 42.0 | 1.654 |
| L | 6.4 | 0.252 |
| H | 13.0 | 0.512 |
| E | 6.4 | 0.250 |
| G | 1.6 | 0.063 |
| RD | 150.0 | 5.906 |
| GC | 44.0 | 1.732 |

HS-812 (Straight Running-Single Hinge)

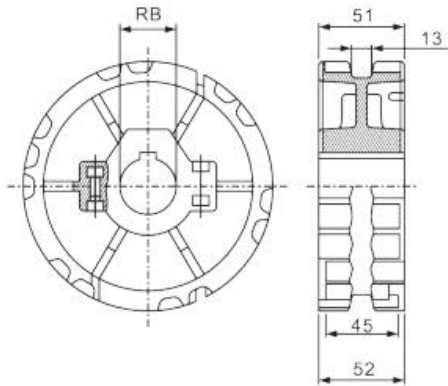
| | Width W | | Working Load | | Sideflexing Radius | | Weight (kg/m) |
|----------------|---------|--------|--------------|-----------|--------------------|--------|---------------|
| | (mm) | (inch) | N(21°C) | lbs(21°C) | (mm) | (inch) | |
| HS-SS 812 K325 | 82.6 | 3.25 | 5600 | 1260 | - | - | 2.73 |
| HS-SS 812 K330 | 83.8 | 3.30 | 5600 | 1260 | - | - | 2.78 |
| HS-SS 812 K400 | 101.6 | 4.00 | 5600 | 1260 | - | - | 3.20 |
| HS-SS 812 K450 | 114.3 | 4.50 | 5600 | 1260 | - | - | 3.48 |
| HS-SS 812 K600 | 152.4 | 6.00 | 5600 | 1260 | - | - | 4.38 |
| HS-SS 812 K750 | 190.5 | 7.50 | 5600 | 1260 | - | - | 5.27 |

SPROCKET SERIES



SPROCKET

Sprockets for HS-820 / HS-831 series



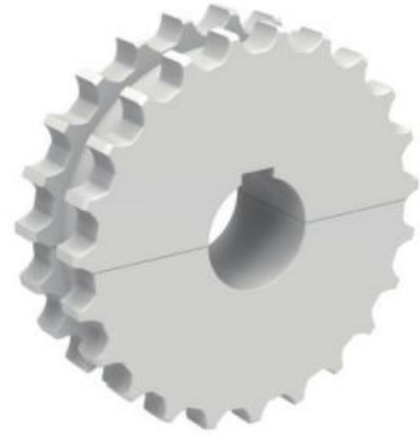
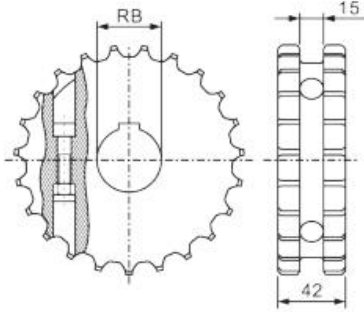
MOULDED SPLIT DRIVE AND IDLER SPROCKETS

| CHARACTERISTICS | | | | | | | |
|-----------------|-------------|------------|--------|--------------|--------|-------------|-------------|
| N° Teeth | | Pitch Diam | | Outside Diam | | Rb Size | Weight (kg) |
| Z actual | Z effective | (mm) | (inch) | (mm) | (inch) | (mm) (inch) | |
| 21 | 10.5 | 129.26 | 5.09 | 128.0 | 5.0 | 25 | 0.42 |
| | | | | | | 30 | |
| | | | | | | 35 | |
| | | | | | | 40 | |
| | | | | | | 45 | |
| | | | | | | 1 | |
| | | | | | | 1 3/16 | |
| 1 1/4 | | | | | | | |
| 1 7/16 | | | | | | | |
| 1 1/2 | | | | | | | |
| 1 5/8 | | | | | | | |
| 23 | 11.5 | 141.20 | 5.56 | 140.0 | 5.5 | 25 | 0.47 |
| | | | | | | 30 | |
| | | | | | | 35 | |
| | | | | | | 40 | |
| | | | | | | 45 | |
| | | | | | | 1 | |
| | | | | | | 1 3/16 | |
| 1 1/4 | | | | | | | |
| 1 7/16 | | | | | | | |
| 1 1/2 | | | | | | | |
| 1 5/8 | | | | | | | |
| 25 | 12.5 | 153.20 | 6.03 | 152.0 | 6.0 | 25 | 0.52 |
| | | | | | | 30 | |
| | | | | | | 35 | |
| | | | | | | 40 | |
| | | | | | | 45 | |
| | | | | | | 1 | |
| | | | | | | 1 3/16 | |
| 1 1/4 | | | | | | | |
| 1 7/16 | | | | | | | |
| 1 1/2 | | | | | | | |
| 1 5/8 | | | | | | | |

Note: Sprockets made of steel or cast iron on request

SPROCKET

Sprockets for HS-820 /HS-831 series



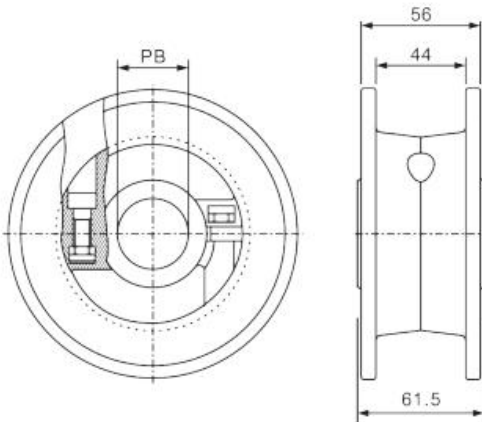
MOULDED SPLIT DRIVE AND IDLER SPROCKETS

| CHARACTERISTICS | | | | | | | | |
|-----------------|-------------|------------|--------|--------------|--------|---------|--------|-------------|
| N° Teeth | | Pitch Diam | | Outside Diam | | Rb Size | | Weight (kg) |
| Z actual | Z effective | (mm) | (inch) | (mm) | (inch) | (mm) | (inch) | |
| 17 | 8.5 | 105.47 | 4.15 | 104.4 | 4.1 | 25 | | 0.32 |
| | | | | | | 30 | | 0.31 |
| | | | | | | 35 | | 0.29 |
| | | | | | | 40 | | 0.28 |
| | | | | | | | 1 | 0.32 |
| | | | | | | | 1 ¼ | 0.31 |
| | | | | | | | 1 ½ | 0.28 |
| 19 | 9.5 | 117.34 | 4.62 | 117.0 | 4.6 | 25 | | 0.42 |
| | | | | | | 30 | | 0.41 |
| | | | | | | 35 | | 0.39 |
| | | | | | | 40 | | 0.38 |
| | | | | | | | 1 | 0.42 |
| | | | | | | | 1 ⅙ | 0.39 |
| | | | | | | | 1 ⅝ | 0.36 |
| 21 | 10.5 | 129.26 | 5.09 | 129.4 | 5.1 | 25 | | 0.52 |
| | | | | | | 30 | | 0.51 |
| | | | | | | 35 | | 0.50 |
| | | | | | | 40 | | 0.48 |
| | | | | | | | 1 | 0.52 |
| | | | | | | | 1 ½ | 0.48 |
| | | | | | | | 2 | 0.44 |
| 23 | 11.5 | 141.22 | 5.56 | 141.9 | 5.6 | 25 | | 0.63 |
| | | | | | | 30 | | 0.61 |
| | | | | | | 35 | | 0.60 |
| | | | | | | 40 | | 0.58 |
| | | | | | | | 1 | 0.63 |
| | | | | | | | 1 ½ | 0.58 |
| | | | | | | | 2 | 0.55 |
| 25 | 12.5 | 153.20 | 6.03 | 154.2 | 6.1 | 25 | | 0.75 |
| | | | | | | 30 | | 0.74 |
| | | | | | | 35 | | 0.72 |
| | | | | | | 40 | | 0.71 |
| | | | | | | | 1 | 0.75 |
| | | | | | | | 1 ½ | 0.71 |
| | | | | | | | 2 ½ | 0.69 |

Note: Sprockets with 27 teeth also available. Other bore sizes in imperial units are available.

SPROCKET

Idler wheels for HS-812 / HS-981 / HS-981M / HS-915 / HS-981M-EL / HS-881 / HS-820 / HS-831 / HS-828 / HS-880 / HS-880M / HS-HD915 / HS-HD981M series

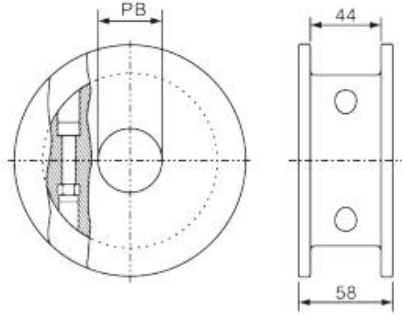


MOULDED SPLIT IDLER WHEELS

| CHARACTERISTICS | | | | | |
|--------------------------|--------------|--------|---------|--------|----------------|
| N° Teeth Z equivalent | Outside Diam | | Rb Size | | Weight (kg) |
| | (mm) | (inch) | (mm) | (inch) | |
| 21 | 129.8 | 5.1 | 25 | | 0.32 |
| | | | 30 | | 0.33 |
| | | | 35 | | 0.33 |
| | | | 40 | | 0.34 |
| | | | 45 | | 0.31 |
| | | | | 1 | 0.33 |
| | | | | 1 ¼ | 0.32 |
| 23 | 142.3 | 5.6 | 25 | | 0.36 |
| | | | 30 | | 0.36 |
| | | | 35 | | 0.37 |
| | | | 40 | | 0.38 |
| | | | 45 | | 0.35 |
| | | | | 1 | 0.36 |
| | | | | 1 ¼ | 0.36 |
| 25 | 156.0 | 6.1 | 25 | | 0.40 |
| | | | 30 | | 0.40 |
| | | | 35 | | 0.41 |
| | | | 40 | | 0.42 |
| | | | 45 | | 0.39 |
| | | | | 1 | 0.40 |
| | | | | 1 ¼ | 0.40 |

SPROCKET

Idler wheels for HS-812 / HS-981 / HS-981M / HS-915 / HS-981M-EL / HS-881 / HS-820 / HS-831 / HS-828 / HS-880 / HS-880M / HS-HD915 / HS-HD981M series



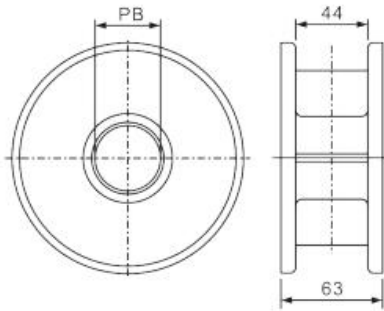
MOULDED SPLIT IDLER WHEELS

| CHARACTERISTICS | | | | | | |
|--------------------------|--------------|--------|---------|--------|----------------|--|
| N° Teeth Z equivalent | Outside Diam | | Rb Size | | Weight (kg) | |
| | (mm) | (inch) | (mm) | (inch) | | |
| 17 | 106.5 | 4.2 | 25 | | 0.45 | |
| | | | 30 | | 0.43 | |
| | | | 35 | | 0.42 | |
| | | | 40 | | 0.36 | |
| | | | | 1 | 0.45 | |
| | | | | 1 ¼ | 0.43 | |
| | | | | 1 ½ | 0.31 | |
| 19 | 118.0 | 4.6 | 25 | | 0.54 | |
| | | | 30 | | 0.52 | |
| | | | 35 | | 0.51 | |
| | | | 40 | | 0.50 | |
| | | | | 1 | 0.54 | |
| | | | | 1 ⅙ | 0.51 | |
| | | | | 1 ¾ | 0.49 | |
| 21 | 129.8 | 5.1 | 25 | | 0.71 | |
| | | | 30 | | 0.69 | |
| | | | 35 | | 0.68 | |
| | | | 40 | | 0.66 | |
| | | | | 1 | 0.70 | |
| | | | | 1 ½ | 0.66 | |
| | | | | 2 | 0.64 | |
| 23 | 142.3 | 5.6 | 25 | | 0.80 | |
| | | | 30 | | 0.78 | |
| | | | 35 | | 0.77 | |
| | | | 40 | | 0.76 | |
| | | | | 1 | 0.80 | |
| | | | | 1 ½ | 0.76 | |
| | | | | 2 | 0.74 | |
| 25 | 154.7 | 6.1 | 25 | | 1.00 | |
| | | | 30 | | 0.99 | |
| | | | 35 | | 0.97 | |
| | | | 40 | | 0.95 | |
| | | | | 1 | 1.00 | |
| | | | | 1 ½ | 0.95 | |
| | | | | 2 ½ | 0.90 | |

Note: Other bore sizes in imperial units are available.

SPROCKET

Idler wheels for HS-812 / HS-981 / HS-981M / HS-915 / HS-981M-EL / HS-881 / HS-820 / HS-831 / HS-828 / HS-880 / HS-880M / HS-HD915 / HS-HD981M series



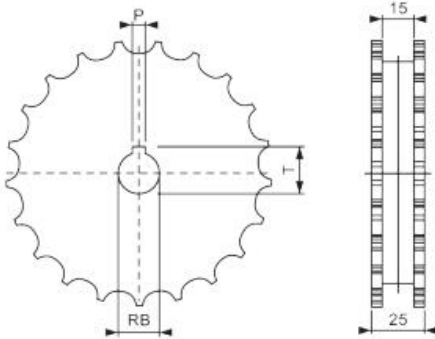
MOULDED SPLIT IDLER WHEELS

CHARACTERISTICS

| N° Teeth Z equivalent | Outside Diam | | Rb Size | | Weight (kg) |
|--------------------------|--------------|--------|---------|--------------------------------|----------------|
| | (mm) | (inch) | (mm) | (inch) | |
| 21 | 129.8 | 5.1 | 25 | | 0.22 |
| | | | 30 | | 0.22 |
| | | | 35 | | 0.22 |
| | | | 40 | | 0.20 |
| | | | | 1 | 0.22 |
| | | | | 1 ³ / ₁₆ | 0.21 |
| | | | | 1 ¹ / ₄ | 0.21 |
| | | | | 1 ¹ / ₂ | 0.22 |
| 23 | 142.3 | 5.6 | 25 | | 0.25 |
| | | | 30 | | 0.25 |
| | | | 35 | | 0.24 |
| | | | 40 | | 0.24 |
| | | | | 1 | 0.24 |
| | | | | 1 ³ / ₁₆ | 0.24 |
| | | | | 1 ¹ / ₄ | 0.24 |
| | | | | 1 ¹ / ₂ | 0.25 |
| 25 | 154.7 | 6.1 | 25 | | 0.30 |
| | | | 30 | | 0.29 |
| | | | 35 | | 0.29 |
| | | | 40 | | 0.28 |
| | | | | 1 | 0.30 |
| | | | | 1 ³ / ₁₆ | 0.30 |
| | | | | 1 ¹ / ₄ | 0.29 |
| | | | | 1 ¹ / ₂ | 0.25 |

SPROCKET

Sprockets for HS-820mini series



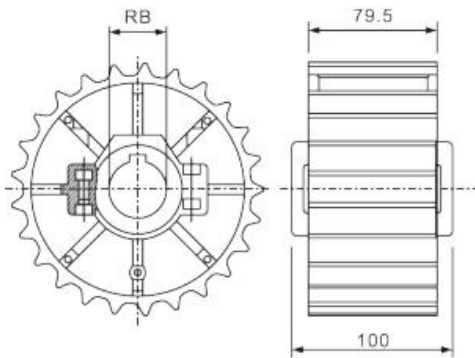
MOULDED SPLIT IDLER WHEELS

CHARACTERISTICS

| N° Teeth Z equivalent | Pitch diameter | | Outside diameter | | RB | T | P |
|--------------------------|----------------|--------|------------------|--------|------|------|------|
| | (mm) | (inch) | (mm) | (inch) | (mm) | (mm) | (mm) |
| 17 | 105.47 | 4.15 | 104.4 | 4.11 | 25 | 28.3 | 8 |
| | | | | | 30 | 33.3 | 8 |
| | | | | | 25 | 28.3 | 8 |
| 19 | 117.34 | 4.62 | 117.0 | 4.60 | 30 | 33.3 | 8 |
| | | | | | 35 | 38.3 | 10 |
| | | | | | 25 | 28.3 | 8 |
| 21 | 129.26 | 5.09 | 129.4 | 5.10 | 30 | 33.3 | 8 |
| | | | | | 35 | 38.3 | 10 |
| | | | | | 40 | 43.3 | 12 |
| | | | | | 25 | 28.3 | 8 |
| 23 | 141.20 | 5.56 | 141.9 | 5.59 | 30 | 33.3 | 8 |
| | | | | | 35 | 38.3 | 10 |
| | | | | | 40 | 43.3 | 12 |
| | | | | | 25 | 28.3 | 8 |
| 25 | 153.20 | 6.03 | 154.2 | 6.07 | 30 | 33.3 | 8 |
| | | | | | 35 | 38.3 | 10 |
| | | | | | 40 | 43.3 | 12 |
| | | | | | 25 | 28.3 | 8 |

SPROCKET

Sprockets for HS-821 / HS-821-EL / HS-LBP821 series



MOULDED SPLIT DRIVE AND IDLER SPROCKETS

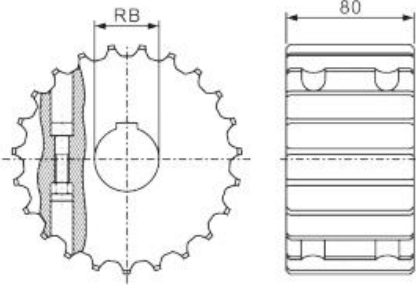
CHARACTERISTICS

| N° Teeth | | Pitch Diam | | Outside Diam | | Rb Size | | Weight (kg) |
|----------|-------------|------------|--------|--------------|--------|---------|--------|-------------|
| Z actual | Z effective | (mm) | (inch) | (mm) | (inch) | (mm) | (inch) | |
| 25 | 12.5 | 153.20 | 6.03 | 154.2 | 6.1 | 30 | | 0.99 |
| | | | | | | 35 | | |
| | | | | | | 40 | | |
| | | | | | | 45 | | |
| | | | | | | | 1 3/16 | |
| | 1 1/4 | | | | | | | |
| | 1 7/16 | | | | | | | |
| | 1 1/2 | | | | | | | |
| | 1 5/8 | | | | | | | |

Note: Sprockets made of cast iron on request

SPROCKET

Sprockets for HS-2815 / HS-2815-EL / HS-821 / HS-821-EL / HS-LBP821 series



MOULDED SPLIT DRIVE AND IDLER SPROCKETS

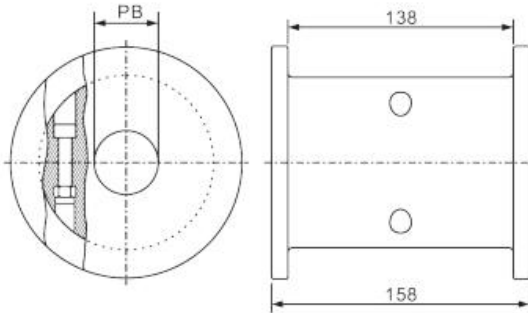
| CHARACTERISTICS | | | | | | | | |
|-----------------|-------------|------------|--------|--------------|--------|---------|---------|--------|
| N° Teeth | | Pitch Diam | | Outside Diam | | Rb Size | | Weight |
| Z actual | Z effective | (mm) | (inch) | (mm) | (inch) | (mm) | (inch) | (kg) |
| 19 | 9.5 | 117.34 | 4.62 | 117.0 | 4.6 | 25 | | 0.87 |
| | | | | | | 30 | | 0.85 |
| | | | | | | 35 | | 0.82 |
| | | | | | | 40 | | 0.78 |
| | | | | | | | 1 | 0.87 |
| | | | | | | | 1 7/16 | 0.81 |
| | | | | | | | 1 15/16 | 0.79 |
| 21 | 10.5 | 129.26 | 5.09 | 129.4 | 5.1 | 25 | | 1.06 |
| | | | | | | 30 | | 1.03 |
| | | | | | | 35 | | 1.01 |
| | | | | | | 40 | | 0.99 |
| | | | | | | | 1 | 1.05 |
| | | | | | | | 1 1/2 | 0.99 |
| | | | | | | | 2 | 0.96 |
| 23 | 11.5 | 141.22 | 5.56 | 141.9 | 5.6 | 25 | | 1.30 |
| | | | | | | 30 | | 1.27 |
| | | | | | | 35 | | 1.23 |
| | | | | | | 40 | | 1.22 |
| | | | | | | | 1 | 1.30 |
| | | | | | | | 1 1/2 | 1.21 |
| | | | | | | | 2 1/2 | 1.19 |
| 25 | 12.5 | 153.20 | 6.03 | 154.2 | 6.1 | 25 | | 1.51 |
| | | | | | | 30 | | 1.50 |
| | | | | | | 35 | | 1.47 |
| | | | | | | 40 | | 1.44 |
| | | | | | | | 1 | 1.50 |
| | | | | | | | 1 1/2 | 1.44 |
| | | | | | | | 2 1/2 | 1.40 |
| 27 | 13.5 | 165.21 | 6.50 | 166.4 | 6.6 | 25 | | 1.91 |
| | | | | | | 30 | | 1.89 |
| | | | | | | 35 | | 1.87 |
| | | | | | | 40 | | 1.84 |
| | | | | | | | 1 | 1.91 |
| | | | | | | | 1 1/2 | 1.84 |
| | | | | | | | 2 1/2 | 1.80 |

Note: Sprockets with 29 teeth also available, Other bore sizes in imperial units are available.



SPROCKET

Idler wheels for HS-821 / HS-821-EL / HS-LBP821 series



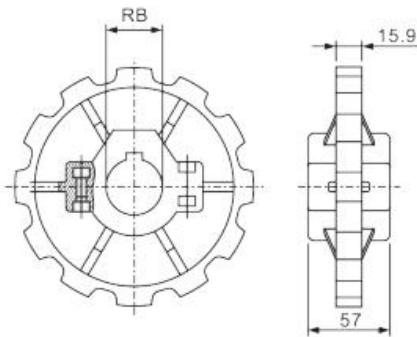
MOULDED SPLIT IDLER WHEELS

| CHARACTERISTICS | | | | | |
|--------------------------|--------------|--------|---------|--------|----------------|
| N° Teeth Z equivalent | Outside Diam | | Rb Size | | Weight (kg) |
| | (mm) | (inch) | (mm) | (inch) | |
| 19 | 118.0 | 4.6 | 25 | | 1.03 |
| | | | 30 | | 0.99 |
| | | | 35 | | 0.95 |
| | | | 40 | | 0.89 |
| | | | | 1 | 1.03 |
| | | | | 1 7/16 | 0.95 |
| | | | | 1 3/4 | 0.87 |
| 21 | 129.8 | 5.1 | 25 | | 1.33 |
| | | | 30 | | 1.29 |
| | | | 35 | | 1.24 |
| | | | 40 | | 1.19 |
| | | | | 1 | 1.33 |
| | | | | 1 1/2 | 1.19 |
| | | | | 2 | 1.16 |
| 23 | 142.3 | 5.6 | 25 | | 1.71 |
| | | | 30 | | 1.68 |
| | | | 35 | | 1.63 |
| | | | 40 | | 1.58 |
| | | | | 1 | 1.71 |
| | | | | 1 1/2 | 1.58 |
| | | | | 2 | 1.54 |
| 25 | 154.7 | 6.1 | 25 | | 2.12 |
| | | | 30 | | 2.08 |
| | | | 35 | | 2.03 |
| | | | 40 | | 1.98 |
| | | | | 1 | 2.12 |
| | | | | 1 1/2 | 1.98 |
| | | | | 2 1/2 | 1.95 |

Note: Other bore sizes in imperial units are available.

SPROCKET

Sprockets for HS-828 / HS-880 / HS-880T / HS-880T-BO / HS-880-EL / HS-880-EL BO / HS-878 BO / HS-878-EL BO / HS-LBP 878T series



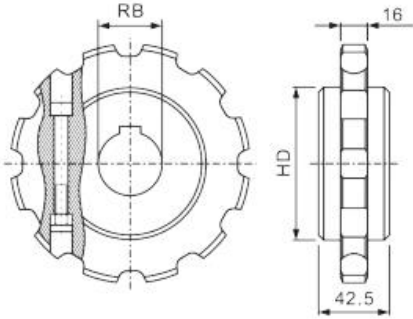
MOULDED SPLIT DRIVE AND IDLER SPROCKETS

| N° Teeth | | Pitch Diam | | Outside Diam | | Rb Size | | Weight (kg) |
|----------|-------------|------------|--------|--------------|--------|---------|--------|-------------|
| Z actual | Z effective | (mm) | (inch) | (mm) | (inch) | (mm) | (inch) | |
| 10 | 5 | 120 | 4.7 | 120 | 4.7 | 25 | | 0.40 |
| | | | | | | 30 | | |
| | | | | | | 35 | | |
| | | | | | | 40 | | |
| | | | | | | 45 | | |
| 11 | 5.5 | 134 | 5.3 | 134 | 5.3 | 1 | | |
| | | | | | | 1 3/16 | | |
| | | | | | | 1 1/4 | | |
| 12 | 6 | 145 | 5.7 | 145 | 5.7 | 1 7/16 | | |
| | | | | | | 1 1/2 | | |
| | | | | | | 1 5/8 | | |
| | | | | | | 1 3/4 | | |

Note: Sprockets made of cast iron on request

SPROCKET

Sprockets for HS-828 / HS-880 / HS-880T / HS-880T-BO / HS-880-EL / HS-880-EL BO / HS-878 BO / HS-878-EL BO / HS-LBP 878T series



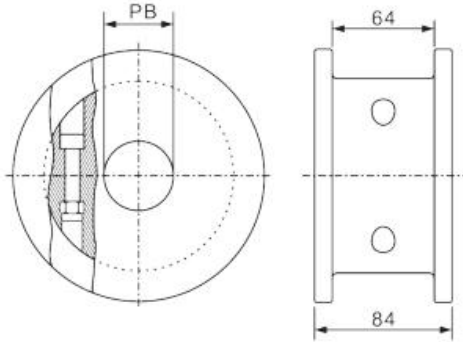
MOULDED SPLIT DRIVE AND IDLER SPROCKETS

| CHARACTERISTICS | | | | | | | | | |
|-----------------|-------------|------------|--------|--------------|--------|----|---------|--------|--------|
| N° Teeth | | Pitch Diam | | Outside Diam | | HD | Rb Size | | Weight |
| Z actual | Z effective | (mm) | (inch) | (mm) | (inch) | | (mm) | (inch) | |
| 9 | 9 | 111.40 | 4.39 | 109.8 | 4.3 | 75 | 25 | 0.31 | |
| | | | | | | | 30 | 0.29 | |
| | | | | | | | 35 | 0.27 | |
| | | | | | | | 40 | 0.25 | |
| | | | | | | | 1 | 0.31 | |
| | | | | | | | 1 7/16 | 0.27 | |
| 1 5/16 | 0.23 | | | | | | | | |
| 10 | 10 | 123.29 | 4.85 | 122.4 | 4.8 | 85 | 25 | 0.37 | |
| | | | | | | | 30 | 0.36 | |
| | | | | | | | 35 | 0.35 | |
| | | | | | | | 40 | 0.34 | |
| | | | | | | | 1 | 0.37 | |
| | | | | | | | 1 1/2 | 0.34 | |
| 2 | 0.31 | | | | | | | | |
| 11 | 11 | 135.24 | 5.32 | 134.9 | 5.3 | 90 | 25 | 0.42 | |
| | | | | | | | 30 | 0.41 | |
| | | | | | | | 35 | 0.40 | |
| | | | | | | | 40 | 0.38 | |
| | | | | | | | 1 | 0.42 | |
| | | | | | | | 1 1/2 | 0.38 | |
| 2 1/2 | 0.34 | | | | | | | | |
| 12 | 12 | 147.21 | 5.80 | 147.3 | 5.8 | 95 | 25 | 0.54 | |
| | | | | | | | 30 | 0.53 | |
| | | | | | | | 35 | 0.52 | |
| | | | | | | | 40 | 0.51 | |
| | | | | | | | 1 | 0.54 | |
| | | | | | | | 1 1/2 | 0.51 | |
| 2 1/2 | 0.49 | | | | | | | | |

Note: Other bore sizes in imperial units are available.

SPROCKET

Idler wheels for HS-880T /HS-880T-BO /
HS-880-EL / HS-880-EL / HS-880-EL BO /
HS-878 BO / HS-878-EL BO / HS-LBP 878T
series



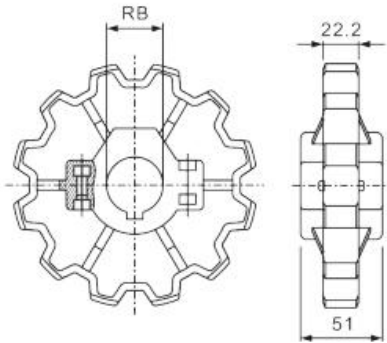
MOULDED SPLIT IDLER WHEELS

| CHARACTERISTICS | | | | | |
|-------------------------|--------------|--------|---------|--------|----------------|
| N° Teeth Zequivalent | Outside Diam | | Rb Size | | Weight (kg) |
| | (mm) | (inch) | (mm) | (inch) | |
| 9 | 118.0 | 4.6 | 25 | | 0.61 |
| | | | 30 | | 0.59 |
| | | | 35 | | 0.56 |
| | | | 40 | | 0.53 |
| | | | | 1 | 0.61 |
| | | | | 1 1/16 | 0.56 |
| | | | | 1 1/4 | 0.52 |
| 10 | 129.8 | 5.1 | 25 | | 0.78 |
| | | | 30 | | 0.76 |
| | | | 35 | | 0.74 |
| | | | 40 | | 0.71 |
| | | | | 1 | 0.78 |
| | | | | 1 1/2 | 0.71 |
| | | | | 2 | 0.69 |
| 11 | 142.3 | 5.6 | 25 | | 0.98 |
| | | | 30 | | 0.96 |
| | | | 35 | | 0.94 |
| | | | 40 | | 0.91 |
| | | | | 1 | 0.98 |
| | | | | 1 1/2 | 0.91 |
| | | | | 2 | 0.89 |
| 12 | 154.7 | 6.1 | 25 | | 1.21 |
| | | | 30 | | 1.19 |
| | | | 35 | | 1.16 |
| | | | 40 | | 1.13 |
| | | | | 1 | 1.21 |
| | | | | 1 1/2 | 1.13 |
| | | | | 2 1/2 | 1.09 |

Note: Other bore sizes in imperial units are available.

SPROCKET

Sprockets for HS-882 / HS-882T /
HS-882-EL T / HS-LBP882T / HS-LBP882M
series



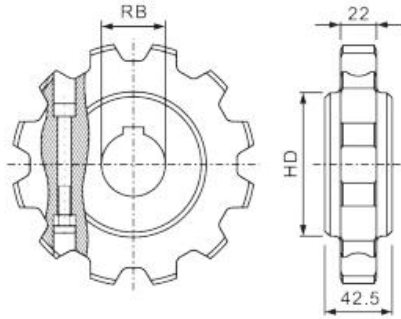
MOULDED SPLIT DRIVE AND IDLER SPROCKETS

| CHARACTERISTICS | | | | | | | |
|-----------------|-------------|------------|--------|--------------|--------|-------------|----------------|
| N° Teeth | | Pitch Diam | | Outside Diam | | Rb Size | Weight (kg) |
| Z actual | Z effective | (mm) | (inch) | (mm) | (inch) | (mm) (inch) | |
| 12 | 6 | 147.21 | 5.80 | 145.0 | 5.7 | 25 | 0.44 |
| | | | | | | 30 | |
| | | | | | | 35 | |
| | | | | | | 40 | |
| | | | | | | 1 | |
| | | | | | | 1 3/16 | |
| | | | | | | 1 1/4 | |
| 1 7/16 | | | | | | | |
| 1 5/8 | | | | | | | |
| 1 3/4 | | | | | | | |

Note: Sprockets made of cast iron on request

SPROCKET

Sprockets for HS-882 / HS-882T /
HS-882-EL T / HS-LBP882T / HS-LBP882M
series



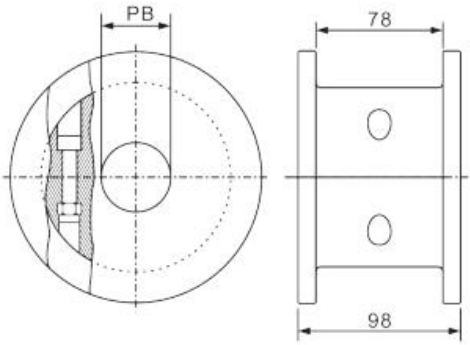
MOULDED SPLIT DRIVE AND IDLER SPROCKETS

| CHARACTERISTICS | | | | | | | | | |
|-----------------|-------------|------------|--------|--------------|--------|------|---------|--------|--------|
| N° Teeth | | Pitch Diam | | Outside Diam | | HD | Rb Size | | Weight |
| Z actual | Z effective | (mm) | (inch) | (mm) | (inch) | (mm) | (mm) | (inch) | (kg) |
| 9 | 9 | 111.40 | 4.39 | 111.8 | 4.4 | 60 | 25 | | 0.33 |
| | | | | | | | 30 | | 0.32 |
| | | | | | | | 35 | | 0.31 |
| | | | | | | | 40 | | 0.29 |
| | | | | | | | 1 | | 0.33 |
| | | | | | | | 1 ¼ | | 0.32 |
| 10 | 10 | 123.29 | 4.85 | 124.4 | 4.9 | 75 | 2 ½ | | 0.29 |
| | | | | | | | 25 | | 0.37 |
| | | | | | | | 30 | | 0.37 |
| | | | | | | | 35 | | 0.36 |
| | | | | | | | 40 | | 0.35 |
| | | | | | | | 1 | | 0.37 |
| 11 | 11 | 135.24 | 5.32 | 136.9 | 5.4 | 85 | 1 ¼ | | 0.35 |
| | | | | | | | 1 ⅝ | | 0.33 |
| | | | | | | | 25 | | 0.44 |
| | | | | | | | 30 | | 0.44 |
| | | | | | | | 35 | | 0.42 |
| | | | | | | | 40 | | 0.41 |
| 12 | 12 | 147.21 | 5.80 | 149.3 | 5.9 | 90 | 1 | | 0.44 |
| | | | | | | | 1 ½ | | 0.41 |
| | | | | | | | 2 | | 0.39 |
| | | | | | | | 25 | | 0.54 |
| | | | | | | | 30 | | 0.54 |
| | | | | | | | 35 | | 0.53 |
| | | | | | | | 40 | | 0.52 |
| | | | | | | | 1 | | 0.54 |
| | | | | | | | 1 ½ | | 0.52 |
| | | | | | | | 2 ½ | | 0.49 |

Note: Other bore sizes in imperial units are available.

SPROCKET

Idler wheels for HS-882 / HS-882T /
HS-882-EL T / HS-LBP882T / HS-LBP882M
series



MOULDED SPLIT IDLER WHEELS

CHARACTERISTICS

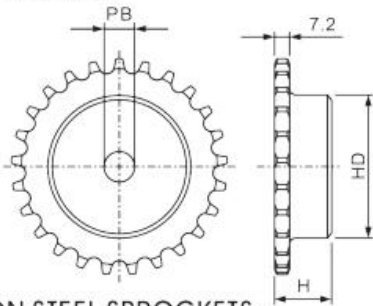
| N° Teeth Z equivalent | Outside Diam | | Rb Size | | Weight (kg) |
|--------------------------|--------------|--------|---------|--------|----------------|
| | (mm) | (inch) | (mm) | (Inch) | |
| 9 | 118.0 | 4.6 | 25 | | 0.47 |
| | | | 30 | | 0.44 |
| | | | 35 | | 0.42 |
| | | | 40 | | 0.38 |
| | | | | 1 | 0.47 |
| | | | | 1 ¼ | 0.44 |
| | | | | 1 ½ | 0.38 |
| 10 | 129.8 | 5.1 | 25 | | 0.65 |
| | | | 30 | | 0.63 |
| | | | 35 | | 0.60 |
| | | | 40 | | 0.57 |
| | | | | 1 | 0.65 |
| | | | | 1 7/16 | 0.60 |
| | | | | 1 5/16 | 0.52 |
| 11 | 142.3 | 5.6 | 25 | | 0.84 |
| | | | 30 | | 0.82 |
| | | | 35 | | 0.79 |
| | | | 40 | | 0.76 |
| | | | | 1 | 0.84 |
| | | | | 1 ½ | 0.76 |
| | | | | 2 | 0.73 |
| 12 | 154.7 | 6.1 | 25 | | 1.08 |
| | | | 30 | | 1.06 |
| | | | 35 | | 1.03 |
| | | | 40 | | 1.00 |
| | | | | 1 | 1.08 |
| | | | | 1 ½ | 1.00 |
| | | | | 2 ½ | 0.98 |

Note: Other bore sizes in imperial units are available.

118

SPROCKET

Sprockets for HS-843 / HS-845 / HS-1843 series



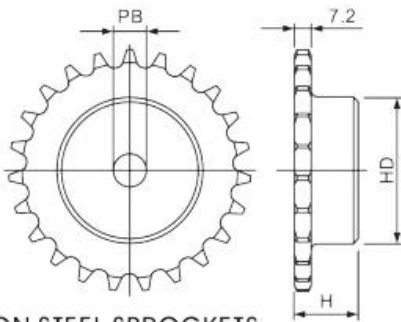
CARBON STEEL SPROCKETS

CHARACTERISTICS

| N° Teeth | Pitch Diam | | Outside Diam | | HD | | Rb Size | | H | | Weight (kg) | | |
|----------|------------|-------------|--------------|--------|-------|--------|---------|--------|------|--------|-------------|------|------|
| | Z actual | Z effective | (mm) | (inch) | (mm) | (inch) | (mm) | (inch) | (mm) | (inch) | | | |
| 13* | 6 1/2 | | 53.06 | 2.09 | 57.4 | 2.3 | 37.00 | 1.46 | 10 | 0.39 | 28.00 | 1.10 | 0.28 |
| 15* | 7 1/2 | | 61.09 | 2.41 | 65.5 | 2.6 | 45.00 | 1.77 | 10 | 0.39 | 28.00 | 1.10 | 0.41 |
| 17* | 8 1/2 | | 69.11 | 2.72 | 73.6 | 2.9 | 52.00 | 2.05 | 10 | 0.39 | 28.00 | 1.10 | 0.54 |
| 19 | 9 1/2 | | 77.16 | 3.04 | 81.7 | 3.2 | 60.00 | 2.36 | 12 | 0.47 | 28.00 | 1.10 | 0.70 |
| 21 | 10 1/2 | | 85.22 | 3.36 | 89.7 | 3.5 | 68.00 | 2.68 | 12 | 0.47 | 28.00 | 1.10 | 0.89 |
| 23 | 11 1/2 | | 93.27 | 3.67 | 98.2 | 3.9 | 70.00 | 2.76 | 12 | 0.47 | 28.00 | 1.10 | 0.98 |
| 25 | 12 1/2 | | 101.33 | 3.99 | 105.8 | 4.2 | 70.00 | 2.76 | 12 | 0.47 | 28.00 | 1.10 | 1.06 |
| 27 | 13 1/2 | | 109.40 | 4.31 | 114.0 | 4.5 | 70.00 | 2.76 | 15 | 0.59 | 30.00 | 1.18 | 1.17 |
| 29 | 14 1/2 | | 117.46 | 4.62 | 122.0 | 4.8 | 80.00 | 3.15 | 15 | 0.59 | 30.00 | 1.18 | 1.47 |
| 31 | 15 1/2 | | 125.54 | 4.94 | 130.2 | 5.1 | 90.00 | 3.54 | 16 | 0.63 | 30.00 | 1.18 | 1.79 |
| 33 | 16 1/2 | | 133.60 | 5.26 | 138.4 | 5.4 | 90.00 | 3.54 | 16 | 0.63 | 30.00 | 1.18 | 1.88 |

*Do not use with 1843 Series.

Sprockets for HS-863 / HS-1873 / HS-1873T / HS-1873-EL T / HS-1873D / HS-1873GD / HS-1873TAB-GD series



CARBON STEEL SPROCKETS

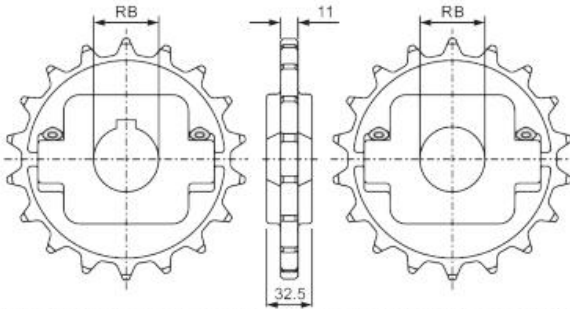
CHARACTERISTICS

| N° Teeth | Pitch Diam | | Outside Diam | | HD | | Rb Size | | H | | Weight (kg) | | |
|----------|------------|-------------|--------------|--------|-------|--------|---------|--------|------|--------|-------------|------|------|
| | Z actual | Z effective | (mm) | (inch) | (mm) | (inch) | (mm) | (inch) | (mm) | (inch) | | | |
| 15* | 7 1/2 | | 91.63 | 3.61 | 99.8 | 3.9 | 70.00 | 2.76 | 14 | 0.55 | 35.00 | 1.38 | 1.26 |
| 17* | 8 1/2 | | 103.67 | 4.08 | 111.5 | 4.4 | 80.00 | 3.15 | 16 | 0.63 | 35.00 | 1.38 | 1.67 |
| 19 | 9 1/2 | | 115.75 | 4.56 | 124.2 | 4.9 | 80.00 | 3.15 | 16 | 0.63 | 35.00 | 1.38 | 1.82 |
| 21 | 10 1/2 | | 127.82 | 5.03 | 136.0 | 5.4 | 90.00 | 3.54 | 20 | 0.79 | 40.00 | 1.57 | 2.48 |
| 23 | 11 1/2 | | 139.90 | 5.51 | 149.0 | 5.9 | 90.00 | 3.54 | 20 | 0.79 | 40.00 | 1.57 | 2.71 |
| 25 | 12 1/2 | | 152.00 | 5.98 | 160.0 | 6.3 | 90.00 | 3.54 | 20 | 0.79 | 40.00 | 1.57 | 2.91 |
| 27 | 13 1/2 | | 164.09 | 6.46 | 172.3 | 6.8 | 95.00 | 3.74 | 20 | 0.79 | 40.00 | 1.57 | 3.39 |
| 29 | 14 1/2 | | 176.19 | 6.94 | 184.1 | 7.2 | 95.00 | 3.74 | 20 | 0.79 | 40.00 | 1.57 | 3.68 |
| 31 | 15 1/2 | | 188.31 | 7.41 | 196.3 | 7.7 | 100.00 | 3.94 | 25 | 0.98 | 40.00 | 1.57 | 4.18 |

*Do not use with 1863-1873 and 1874 Series.

SPROCKET

Sprockets for HS-1050 / HS-1060 / HS-1060A-N / HS-1050TAB / HS-1060TAB / HS-880TAB-HD series



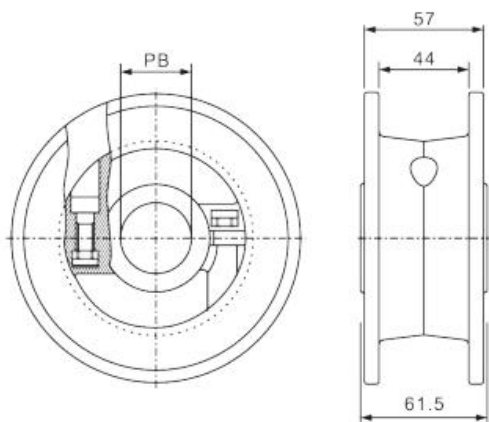
MOULDED SPLIT DRIVE AND IDLER SPROCKETS

CHARACTERISTICS

| N° Teeth Z | Pitch Diameter | | Outside Diam | | Bore Size | | Weight (kg) |
|------------------|-------------------|--------|-----------------|--------|-----------|--------|----------------|
| | (mm) | (inch) | (mm) | (inch) | (mm) | (inch) | |
| 16 | 130.20 | 5.1 | 130.0 | 5.1 | 25 | | 0.25 |
| | | | | | 30 | | 0.24 |
| | | | | | 35 | | 0.24 |
| | | | | | 40 | | 0.23 |
| | | | | | 45 | | 0.22 |
| | | | | | 50 | | 0.21 |
| | | | | | | 1 | 0.25 |
| | | | | | | 1 3/16 | 0.24 |
| | | | | | | 1 1/4 | 0.24 |
| | | | | | | 1 3/8 | 0.24 |
| | | | | | | 1 7/16 | 0.24 |
| 18 | 146.27 | 5.8 | 147.6 | 5.8 | 25 | | 0.29 |
| | | | | | 30 | | 0.28 |
| | | | | | 35 | | 0.28 |
| | | | | | 40 | | 0.27 |
| | | | | | 45 | | 0.27 |
| | | | | | 50 | | 0.26 |
| | | | | | | 1 | 0.29 |
| | | | | | | 1 3/16 | 0.28 |
| | | | | | | 1 1/4 | 0.28 |
| | | | | | | 1 3/8 | 0.28 |
| | | | | | | 1 7/16 | 0.28 |
| 19 | 154.32 | 6.1 | 156.3 | 6.2 | 25 | | 0.32 |
| | | | | | 30 | | 0.32 |
| | | | | | 35 | | 0.31 |
| | | | | | 40 | | 0.31 |
| | | | | | 45 | | 0.30 |
| | | | | | 50 | | 0.29 |
| | | | | | | 1 | 0.32 |
| | | | | | | 1 3/16 | 0.32 |
| | | | | | | 1 1/4 | 0.32 |
| | | | | | | 1 3/8 | 0.31 |
| | | | | | | 1 7/16 | 0.31 |
| | 1 1/2 | 0.31 | | | | | |

SPROCKET

Idler wheels for HS-1050 / HS1060 / HS-1050 T / HS-1060 T / HS-880TAB-HD series



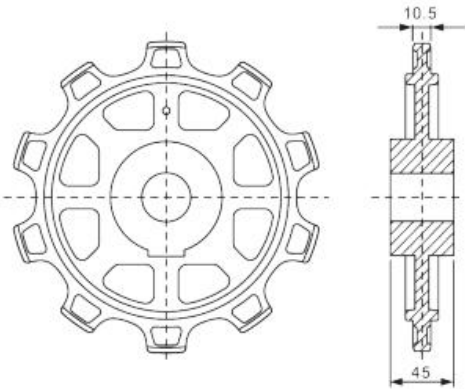
MOULDED SPLIT IDLER WHEELS

CHARACTERISTICS

| N° Teeth Z equivalent | Outside Diam | | Pb Size | | Weight (kg) |
|--------------------------|--------------|--------|---------|--------|----------------|
| | (mm) | (inch) | (mm) | (inch) | |
| 21 | 175 | 6.9 | 25 | | 0.32 |
| | | | 30 | | 0.33 |
| | | | 35 | | 0.33 |
| | | | 40 | | 0.34 |
| | | | 45 | | 0.31 |
| | | | 1 | | 0.33 |
| | | | 1 ¼ | | 0.32 |
| 23 | 191 | 7.5 | 25 | | 0.36 |
| | | | 30 | | 0.36 |
| | | | 35 | | 0.37 |
| | | | 40 | | 0.38 |
| | | | 45 | | 0.35 |
| | | | 1 | | 0.36 |
| | | | 1 ¼ | | 0.36 |
| 25 | 207 | 8.2 | 25 | | 0.40 |
| | | | 30 | | 0.40 |
| | | | 35 | | 0.41 |
| | | | 40 | | 0.42 |
| | | | 45 | | 0.30 |
| | | | 1 | | 0.40 |
| | | | 1 ¼ | | 0.40 |

SPROCKET

Sprockets for HS-2600-O /
HS-2600 TAB-O series



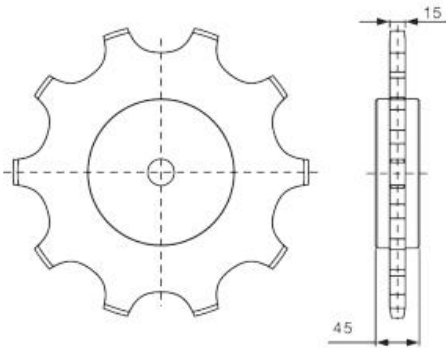
MOULDED SPLIT IDLER WHEELS

CHARACTERISTICS

| N° Teeth Z equivalent | Pitch diameter | | Outside diameter | | Bore (mm) |
|--------------------------|----------------|--------|------------------|--------|--------------|
| | (mm) | (inch) | (mm) | (inch) | |
| 6 | 127.0 | 5.00 | 129.0 | 5.08 | 20~50 |
| 8 | 165.9 | 6.53 | 170.0 | 6.69 | 20~50 |
| 10 | 205.5 | 8.09 | 212.0 | 8.35 | 20~50 |
| 11 | 225.4 | 8.87 | 232.0 | 9.13 | 20~50 |
| 12 | 245.0 | 9.66 | 255.0 | 10.03 | 20~50 |
| 14 | 285.0 | 11.22 | 296.0 | 11.65 | 20~50 |

SPROCKET

Sprockets for HS-2800-O /
HS-2800 TAB-O series

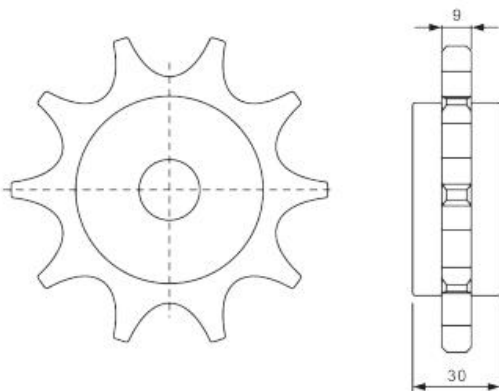


MOULDED SPLIT IDLER WHEELS

| CHARACTERISTICS | | | | | | | |
|--------------------------|----------------|--------|------------------|--------|--------------|---------|---------|
| N° Teeth Z equivalent | Pitch diameter | | Outside diameter | | Hub diameter | Sq Bore | Rb Bore |
| | (mm) | (inch) | (mm) | (inch) | (mm) | (mm) | (mm) |
| 8 | 215.6 | 8.49 | 230.0 | 9.06 | 45 | -- | 35 |
| 10 | 267.0 | 10.51 | 272.0 | 10.71 | 45 | 40 | 35 |

SPROCKET

Sprockets for HS-F54 series



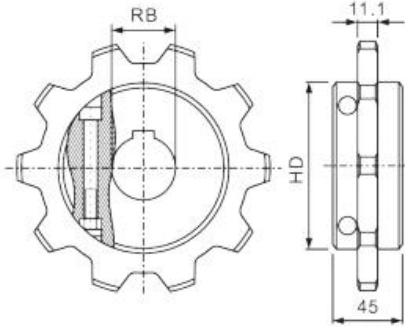
MOULDED SPLIT IDLER WHEELS

CHARACTERISTICS

| N° Teeth Zequivalent | Pitch diameter | | Outside diameter | | Hub diameter (mm) | Bore (mm) |
|-------------------------|----------------|--------|------------------|--------|----------------------|--------------|
| | (mm) | (inch) | (mm) | (inch) | | |
| 9 | 92.3 | 3.63 | 98.0 | 3.86 | 55 | 20 |
| 10 | 102.2 | 4.02 | 107.2 | 4.22 | 65 | 20 |
| 12 | 122.0 | 4.80 | 126.8 | 4.99 | 75 | 20 |
| 20 | 202.6 | 7.98 | 208.0 | 8.19 | 85 | 20 |

SPROCKET

Sprockets for HS-1700 / HS-1700 T /
HS-1701 / HS-1701T / HS-1702 / series



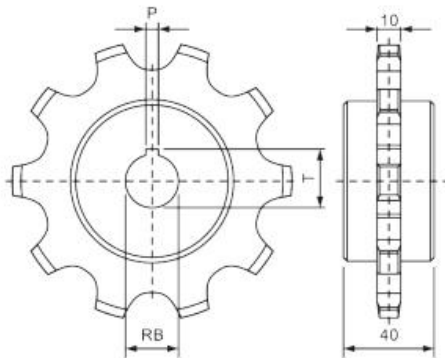
MOULDED SPLIT DRIVE AND IDLER SPROCKETS

| CHARACTERISTICS | | | | | | | | | |
|-----------------|-------------|------------|--------|--------------|--------|-----|---------|--------|--------|
| N° Teeth | | Pitch Diam | | Outside Diam | | HD | Rb Size | | Weight |
| Z actual | Z effective | (mm) | (inch) | (mm) | (inch) | | (mm) | (inch) | |
| 8 | 4 | 130.66 | 5.14 | 132.3 | 5.2 | 80 | 25 | 0.31 | |
| | | | | | | | 30 | 0.29 | |
| | | | | | | | 35 | 0.28 | |
| | | | | | | | 40 | 0.27 | |
| | | | | | | | 1 | 0.31 | |
| | | | | | | | 1 ¼ | 0.29 | |
| | | | | | | | 2 ½ | 0.27 | |
| 10 | 5 | 161.80 | 6.37 | 165.2 | 6.5 | 110 | 25 | 0.61 | |
| | | | | | | | 30 | 0.60 | |
| | | | | | | | 35 | 0.58 | |
| | | | | | | | 40 | 0.57 | |
| | | | | | | | 1 | 0.61 | |
| | | | | | | | 1 ½ | 0.57 | |
| | | | | | | | 2 | 0.55 | |
| 12 | 6 | 193.19 | 7.61 | 198.0 | 7.8 | 130 | 25 | 0.78 | |
| | | | | | | | 30 | 0.76 | |
| | | | | | | | 35 | 0.75 | |
| | | | | | | | 40 | 0.73 | |
| | | | | | | | 1 | 0.78 | |
| | | | | | | | 1 ½ | 0.73 | |
| | | | | | | | 2 ½ | 0.69 | |
| 13 | 6.5 | 208.93 | 8.23 | 214.2 | 8.4 | 150 | 25 | 0.80 | |
| | | | | | | | 30 | 0.77 | |
| | | | | | | | 35 | 0.76 | |
| | | | | | | | 40 | 0.74 | |
| | | | | | | | 1 | 0.80 | |
| | | | | | | | 1 ½ | 0.74 | |
| | | | | | | | 2 ½ | 0.70 | |

Note: Other bore sizes in imperial units are available, Sprockets made of cast iron on request.

SPROCKET

Sprockets for HS-114 series



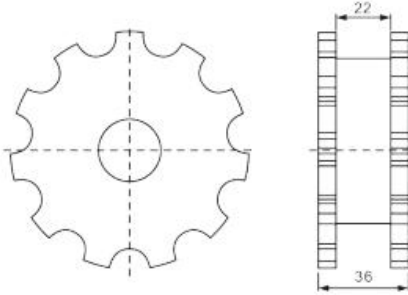
MOULDED SPLIT DRIVE WHEELS

CHARACTERISTICS

| N° Teeth Z equivalent | Pitch diameter | | Outside diameter | | RB (mm) | T (mm) | P (mm) |
|--------------------------|----------------|--------|------------------|--------|------------|-----------|-----------|
| | (mm) | (inch) | (mm) | (inch) | | | |
| 9 | 111.4 | 4.39 | 110.0 | 4.33 | 25 | 28.3 | 8 |
| | | | | | 30 | 33.3 | 8 |
| | | | | | 35 | 38.3 | 10 |
| 10 | 123.3 | 4.85 | 122.0 | 4.80 | 25 | 28.3 | 8 |
| | | | | | 30 | 33.3 | 8 |
| | | | | | 35 | 38.3 | 10 |
| | | | | | 40 | 43.3 | 12 |
| 11 | 135.2 | 5.32 | 135.4 | 5.33 | 25 | 28.3 | 8 |
| | | | | | 30 | 33.3 | 8 |
| | | | | | 35 | 38.3 | 10 |
| | | | | | 40 | 43.3 | 12 |
| 12 | 147.2 | 5.79 | 147.6 | 5.81 | 25 | 28.3 | 8 |
| | | | | | 30 | 33.3 | 8 |
| | | | | | 35 | 38.3 | 10 |
| | | | | | 40 | 43.3 | 12 |

SPROCKET

Sprockets for HS-7100-63 / HS-7100-70 series

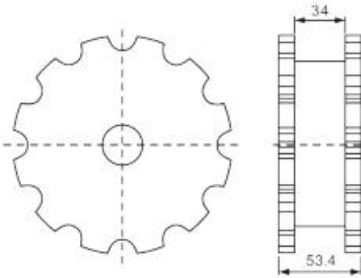


MOULDED SPLIT DRIVE WHEELS

CHARACTERISTICS

| N° Teeth Z equivalent | Pitch diameter | | Outside diameter | | Bore (mm) |
|--------------------------|----------------|--------|------------------|--------|--------------|
| | (mm) | (inch) | (mm) | (inch) | |
| 11 | 90.2 | 3.55 | 100.0 | 3.94 | 20/25/30 |
| 16 | 130.2 | 5.13 | 140.0 | 5.51 | 25/30/35 |

Sprockets for HS-7100-80 / HS-7100-83 / HS-7100-83 G1 / HS-7100-83 G3 series

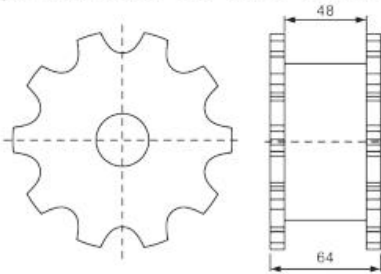


MOULDED DRIVE WHEELS

CHARACTERISTICS

| N° Teeth Z equivalent | Pitch diameter | | Outside diameter | | Bore (mm) |
|--------------------------|----------------|--------|------------------|--------|--------------|
| | (mm) | (inch) | (mm) | (inch) | |
| 9 | 97.9 | 3.85 | 100.0 | 3.94 | 20/25/30 |
| 12 | 129.0 | 5.08 | 135.0 | 5.31 | 25/30/35 |

Sprockets for HS-7100-103 series



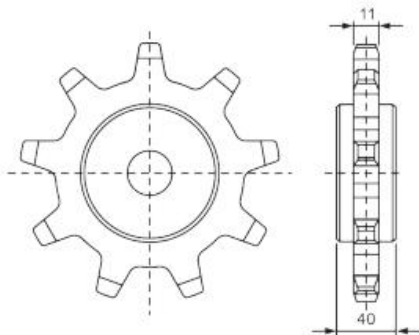
MOULDED SPLIT DRIVE WHEELS

CHARACTERISTICS

| N° Teeth Z equivalent | Pitch diameter | | Outside diameter | | Bore (mm) |
|--------------------------|----------------|--------|------------------|--------|--------------|
| | (mm) | (inch) | (mm) | (inch) | |
| 9 | 103.8 | 4.09 | 106.0 | 4.17 | 20/25/30 |
| 10 | 114.9 | 4.52 | 120.0 | 4.72 | 20/25/30 |
| 12 | 137.2 | 5.40 | 145.0 | 5.71 | 25/30/35 |

SPROCKET

Sprockets for HS-83-EL / HS-83-3 /
HS-7100-140 series



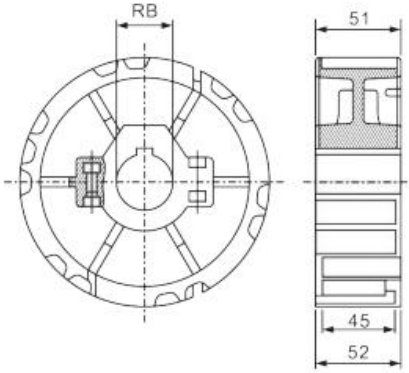
MOULDED SPLIT DRIVE WHEELS

CHARACTERISTICS

| N° Teeth Z equivalent | Pitch diameter | | Outside diameter | | Bore (mm) |
|--------------------------|----------------|--------|------------------|--------|--------------|
| | (mm) | (inch) | (mm) | (inch) | |
| 9 | 109.8 | 4.32 | 115.0 | 4.53 | 20/25/30 |
| 11 | 133.3 | 5.24 | 138.0 | 5.43 | 20/25/30 |
| 13 | 156.9 | 6.17 | 166.0 | 6.53 | 25/30/35 |

SPROCKET

Sprockets for HS-812 / HS-915 / HS-981M / HS-HD915 / HS-HD981M / HS-915-EL / HS-981M-EL series



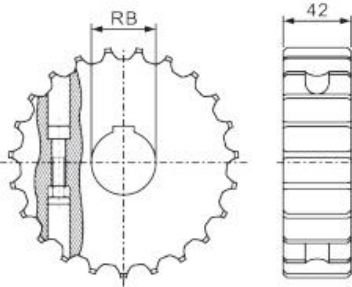
MOULDED SPLIT DRIVE AND IDLER SPROCKETS

| N° Teeth | | Pitch Diam | | Outside Diam | | Rb Size | | Weight (kg) |
|----------|-------------|------------|--------|--------------|--------|---------|--------|-------------|
| Z actual | Z effective | (mm) | (inch) | (mm) | (inch) | (mm) | (inch) | |
| 21 | 10.5 | 129.26 | 5.09 | 129.4 | 5.1 | 25 | | 0.47 |
| | | | | | | 30 | | |
| | | | | | | 35 | | |
| | | | | | | 40 | | |
| | | | | | | 45 | | |
| | | | | | | 1 | | |
| | | | | | | 1 3/16 | | |
| 1 1/4 | | | | | | | | |
| 1 7/16 | | | | | | | | |
| 1 1/2 | | | | | | | | |
| 1 5/8 | | | | | | | | |
| 23 | 11.5 | 141.22 | 5.56 | 141.9 | 5.6 | 25 | | 0.53 |
| | | | | | | 30 | | |
| | | | | | | 35 | | |
| | | | | | | 40 | | |
| | | | | | | 45 | | |
| | | | | | | 1 | | |
| | | | | | | 1 3/16 | | |
| 1 1/4 | | | | | | | | |
| 1 7/16 | | | | | | | | |
| 1 1/2 | | | | | | | | |
| 1 5/8 | | | | | | | | |
| 25 | 12.5 | 153.20 | 5.56 | 151.5 | 6.0 | 25 | | 0.60 |
| | | | | | | 30 | | |
| | | | | | | 35 | | |
| | | | | | | 40 | | |
| | | | | | | 45 | | |
| | | | | | | 1 | | |
| | | | | | | 1 3/16 | | |
| 1 1/4 | | | | | | | | |
| 1 7/16 | | | | | | | | |
| 1 1/2 | | | | | | | | |
| 1 5/8 | | | | | | | | |

Note: Sprockets made of steel or cast iron on request

SPROCKET

Sprockets for HS-812 / HS-915 / HS-981M /
HS-HD915 / HS-HD981M / HS-915-EL /
HS-981M-EL series



MOULDED SPLIT DRIVE AND IDLER SPROCKETS

CHARACTERISTICS

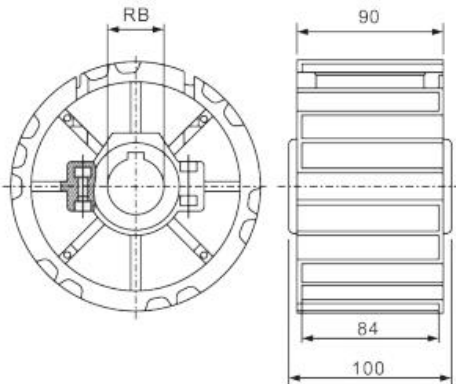
| N° Teeth | | Pitch Diam | | Outside Diam | | Rb Size | | Weight |
|----------|-------------|------------|--------|--------------|--------|---------|--------|--------|
| Z actual | Z effective | (mm) | (inch) | (mm) | (inch) | (mm) | (inch) | (kg) |
| 17 | 8.5 | 105.47 | 4.15 | 104.4 | 4.1 | 25 | | 0.36 |
| | | | | | | 30 | | 0.35 |
| | | | | | | 35 | | 0.34 |
| | | | | | | 40 | | 0.32 |
| | | | | | | | 1 | 0.37 |
| | | | | | | | 1 ¼ | 0.34 |
| | | | | | | | 1 ½ | 0.31 |
| | | | | | | 25 | | 0.46 |
| | | | | | | 30 | | 0.45 |
| | | | | | | 35 | | 0.44 |
| 19 | 9.5 | 117.34 | 4.62 | 117.0 | 4.0 | 40 | | 0.43 |
| | | | | | | | 1 | 0.47 |
| | | | | | | | 1 7/16 | 0.45 |
| | | | | | | | 1 5/16 | 0.42 |
| | | | | | | 25 | | 0.56 |
| | | | | | | 30 | | 0.55 |
| | | | | | | 35 | | 0.54 |
| | | | | | | 40 | | 0.52 |
| | | | | | | | 1 | 0.57 |
| | | | | | | | 1 ½ | 0.51 |
| 21 | 10.5 | 129.26 | 5.09 | 129.4 | 5.1 | | 2 | 0.50 |
| | | | | | | 25 | | 0.68 |
| | | | | | | 30 | | 0.67 |
| | | | | | | 35 | | 0.65 |
| | | | | | | 40 | | 0.64 |
| | | | | | | | 1 | 0.67 |
| | | | | | | | 1 ½ | 0.63 |
| | | | | | | | 2 | 0.60 |
| | | | | | | 25 | | 0.80 |
| | | | | | | 30 | | 0.80 |
| 23 | 11.5 | 141.22 | 5.56 | 141.9 | 5.6 | 35 | | 0.77 |
| | | | | | | 40 | | 0.76 |
| | | | | | | | 1 | 0.79 |
| | | | | | | | 1 ½ | 0.75 |
| | | | | | | | 2 ½ | 0.82 |
| | | | | | | 25 | | 0.80 |
| | | | | | | 30 | | 0.80 |
| | | | | | | 35 | | 0.77 |
| | | | | | | 40 | | 0.76 |
| | | | | | | | 1 | 0.79 |
| | 1 ½ | 0.75 | | | | | | |
| | 2 ½ | 0.82 | | | | | | |
| 25 | 12.5 | 153.2 | 6.03 | 154.2 | 6.1 | 25 | | 0.80 |
| | | | | | | 30 | | 0.80 |
| | | | | | | 35 | | 0.77 |
| | | | | | | 40 | | 0.76 |
| | | | | | | | 1 | 0.79 |
| | | | | | | | 1 ½ | 0.75 |
| | | | | | | | 2 ½ | 0.82 |
| | | | | | | 25 | | 0.80 |
| | | | | | | 30 | | 0.80 |
| | | | | | | 35 | | 0.77 |
| 40 | | 0.76 | | | | | | |
| | 1 | 0.79 | | | | | | |
| | 1 ½ | 0.75 | | | | | | |
| | 2 ½ | 0.82 | | | | | | |

Note: Sprockets with 27 teeth also available, Other bore sizes in imperial units are available.

130

SPROCKET

Sprockets for HS-2815 / HS-2815-EL series



MOULDED SPLIT DRIVE AND IDLER SPROCKETS

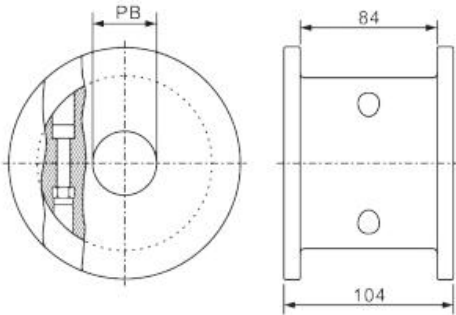
CHARACTERISTICS

| N° Teeth | | Pitch Diam | | Outside Diam | | Rb Size | | Weight (kg) |
|----------|-------------|------------|--------|--------------|--------|---------|--------|-------------|
| Z actual | Z effective | (mm) | (inch) | (mm) | (inch) | (mm) | (inch) | |
| 25 | 12.5 | 153.20 | 6.03 | 154.2 | 6.1 | 30 | | 0.99 |
| | | | | | | 35 | | |
| | | | | | | 40 | | |
| | | | | | | 45 | | |
| | | | | | | | 1 3/16 | |
| | 1/4 | | | | | | | |
| | 1 1/16 | | | | | | | |
| | 1/2 | | | | | | | |
| | 5/8 | | | | | | | |

Note: Sprockets made of cast iron on request

SPROCKET

Idler wheels for HS-2815 / HS-2815-EL series



MOULDED SPLIT IDLER WHEELS

CHARACTERISTICS

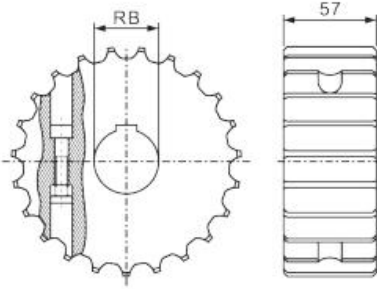
| N° Teeth Z equivalent | Outside Diam | | Rb Size | | Weight (kg) |
|--------------------------|--------------|--------|---------|--------------------------------|----------------|
| | (mm) | (inch) | (mm) | (inch) | |
| 19 | 118.0 | 4.6 | 25 | | 0.91 |
| | | | 30 | | 0.86 |
| | | | 35 | | 0.83 |
| | | | 40 | | 0.81 |
| | | | | 1 | 0.90 |
| | | | | 1 ⁷ / ₁₆ | 0.82 |
| | | | | 1 ³ / ₄ | 0.80 |
| 21 | 129.8 | 5.1 | 25 | | 1.12 |
| | | | 30 | | 1.10 |
| | | | 35 | | 1.08 |
| | | | 40 | | 1.05 |
| | | | | 1 | 1.12 |
| | | | | 1 ¹ / ₂ | 1.05 |
| | | | | 2 | 1.03 |
| 23 | 142.3 | 5.6 | 25 | | 1.39 |
| | | | 30 | | 1.37 |
| | | | 35 | | 1.36 |
| | | | 40 | | 1.34 |
| | | | | 1 | 1.38 |
| | | | | 1 ¹ / ₂ | 1.34 |
| | | | | 2 | 1.30 |
| 25 | 154.7 | 6.1 | 25 | | 1.68 |
| | | | 30 | | 1.65 |
| | | | 35 | | 1.62 |
| | | | 40 | | 1.58 |
| | | | | 1 | 1.67 |
| | | | | 1 ¹ / ₂ | 1.58 |
| | | | | 2 ¹ / ₂ | 1.54 |

Note: Other bore sizes in imperial units are available.

132

SPROCKET

Sprockets for HS-9157 / HS-HD9157M /
HS-HD9157-EL / HS-HD9857M-EL series

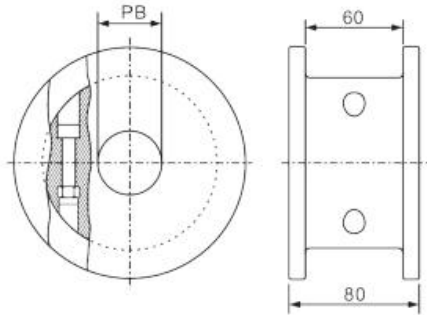


MOULDED SPLIT DRIVE AND IDLER SPROCKETS

| CHARACTERISTICS | | | | | | | | |
|-----------------|-------------|------------|--------|--------------|--------|---------|--------|-------------|
| N° Teeth | | Pitch Diam | | Outside Diam | | Rb Size | | Weight (kg) |
| Z actual | Z effective | (mm) | (inch) | (mm) | (inch) | (mm) | (inch) | |
| 19 | 9.5 | 117.34 | 4.62 | 117.0 | 4.6 | 25 | | 0.68 |
| | | | | | | 30 | | 0.66 |
| | | | | | | 35 | | 0.64 |
| | | | | | | 40 | | 0.63 |
| | | | | | | | 1 | 0.68 |
| | | | | | | | 1 7/16 | 0.64 |
| | | | | | | | 1 5/8 | 0.62 |
| 21 | 10.5 | 129.26 | 5.09 | 129.4 | 5.1 | 25 | | 0.83 |
| | | | | | | 30 | | 0.81 |
| | | | | | | 35 | | 0.79 |
| | | | | | | 40 | | 0.78 |
| | | | | | | | 1 | 0.82 |
| | | | | | | | 1 1/2 | 0.78 |
| | | | | | | | 2 | 0.74 |
| 23 | 11.5 | 141.22 | 5.56 | 141.9 | 5.6 | 25 | | 0.99 |
| | | | | | | 30 | | 0.98 |
| | | | | | | 35 | | 0.96 |
| | | | | | | 40 | | 0.94 |
| | | | | | | | 1 | 0.99 |
| | | | | | | | 1 1/2 | 0.94 |
| | | | | | | | 2 | 0.92 |
| 25 | 12.5 | 153.20 | 6.03 | 154.2 | 6.1 | 25 | | 1.17 |
| | | | | | | 30 | | 1.16 |
| | | | | | | 35 | | 1.14 |
| | | | | | | 40 | | 1.12 |
| | | | | | | | 1 | 1.16 |
| | | | | | | | 1 1/2 | 1.12 |
| | | | | | | | 2 1/2 | 1.05 |
| 27 | 13.5 | 165.21 | 6.50 | 166.4 | 6.6 | 25 | | 1.37 |
| | | | | | | 30 | | 1.35 |
| | | | | | | 35 | | 1.33 |
| | | | | | | 40 | | 1.32 |
| | | | | | | | 1 | 1.37 |
| | | | | | | | 1 1/2 | 1.32 |
| | | | | | | | 2 1/2 | 1.29 |

SPROCKET

Idler wheels for HS-9157 / HS-881T / HS-981T /
HS-HD9857M / HS-982T / HS-HD9157-EL /
HS-981T-EL / HS-HD9857M-EL series



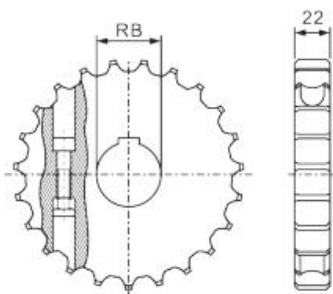
MOULDED SPLIT IDLER WHEELS

| CHARACTERISTICS | | | | | |
|--------------------------|--------------|--------|---------|--------|----------------|
| N° Teeth Z equivalent | Outside Diam | | Rb Size | | Weight (kg) |
| | (mm) | (inch) | (mm) | (inch) | |
| 17 | 106.5 | 4.2 | 25 | | 0.44 |
| | | | 30 | | 0.42 |
| | | | 35 | | 0.39 |
| | | | 40 | | 0.37 |
| | | | | 1 | 0.44 |
| | | | | 1 ¼ | 0.42 |
| | | | | 1 ½ | 0.36 |
| | | | | | |
| 19 | 118.0 | 4.6 | 25 | | 0.58 |
| | | | 30 | | 0.56 |
| | | | 35 | | 0.54 |
| | | | 40 | | 0.51 |
| | | | | 1 | 0.58 |
| | | | | 1 7/16 | 0.54 |
| | | | | 1 ¾ | 0.50 |
| | | | | | |
| 21 | 129.8 | 5.1 | 25 | | 0.75 |
| | | | 30 | | 0.73 |
| | | | 35 | | 0.71 |
| | | | 40 | | 0.68 |
| | | | | 1 | 0.75 |
| | | | | 1 ½ | 0.68 |
| | | | | 2 | 0.65 |
| | | | | | |
| 23 | 142.3 | 5.6 | 25 | | 0.94 |
| | | | 30 | | 0.92 |
| | | | 35 | | 0.90 |
| | | | 40 | | 0.87 |
| | | | | 1 | 0.94 |
| | | | | 1 ½ | 0.87 |
| | | | | 2 | 0.84 |
| | | | | | |
| 25 | 154.7 | 6.1 | 25 | | 1.16 |
| | | | 30 | | 1.14 |
| | | | 35 | | 1.11 |
| | | | 40 | | 1.09 |
| | | | | 1 | 1.16 |
| | | | | 1 ½ | 1.09 |
| | | | | 2 ½ | 1.04 |
| | | | | | |

Note: Other bore sizes in imperial units are available.

SPROCKET

Sprockets for HS-803 series

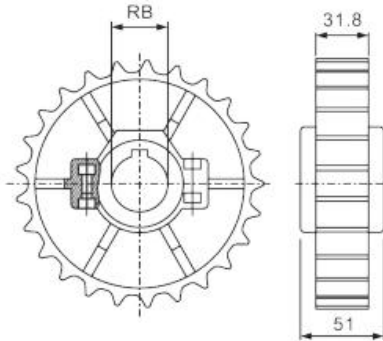


MOULDED SPLIT DRIVE AND IDLER SPROCKETS

| CHARACTERISTICS | | | | | | | | | |
|-----------------|-------------|------------|--------|--------------|--------|---------|--------|--------|--|
| N° Teeth | | Pitch Diam | | Outside Diam | | Rb Size | | Weight | |
| Z actual | Z effective | (mm) | (inch) | (mm) | (inch) | (mm) | (inch) | (kg) | |
| 17 | 8.5 | 105.47 | 4.15 | 104.4 | 4.1 | 25 | | 0.21 | |
| | | | | | | 30 | | 0.21 | |
| | | | | | | 35 | | 0.20 | |
| | | | | | | 40 | | 0.19 | |
| | | | | | | | 1 | 0.21 | |
| | | | | | | | 1 ¼ | 0.20 | |
| 19 | 9.5 | 117.34 | 4.62 | 117.0 | 4.6 | | 1 ½ | 0.19 | |
| | | | | | | 25 | | 0.26 | |
| | | | | | | 30 | | 0.26 | |
| | | | | | | 35 | | 0.25 | |
| | | | | | | 40 | | 0.24 | |
| | | | | | | | 1 | 0.26 | |
| 21 | 10.5 | 129.26 | 5.09 | 129.4 | 5.1 | | 1 7/16 | 0.25 | |
| | | | | | | | 1 5/16 | 0.23 | |
| | | | | | | 25 | | 0.32 | |
| | | | | | | 30 | | 0.32 | |
| | | | | | | 35 | | 0.31 | |
| | | | | | | 40 | | 0.30 | |
| 23 | 11.5 | 141.22 | 5.56 | 141.9 | 5.6 | | 1 | 0.32 | |
| | | | | | | | 1 ½ | 0.30 | |
| | | | | | | | 2 | 0.39 | |
| | | | | | | 25 | | 0.39 | |
| | | | | | | 30 | | 0.38 | |
| | | | | | | 35 | | 0.37 | |
| 25 | 12.5 | 153.20 | 6.03 | 154.2 | 6.1 | 40 | | 0.37 | |
| | | | | | | | 1 | 0.39 | |
| | | | | | | | 1 ½ | 0.37 | |
| | | | | | | | 2 | 0.36 | |
| | | | | | | 25 | | 0.45 | |
| | | | | | | 30 | | 0.45 | |
| 25 | 12.5 | 153.20 | 6.03 | 154.2 | 6.1 | 35 | | 0.44 | |
| | | | | | | 40 | | 0.44 | |
| | | | | | | | 1 | 0.45 | |
| | | | | | | | 1 ½ | 0.44 | |
| | | | | | | | 2 ½ | 0.42 | |

SPROCKET

Sprockets for HS-881 / HS-881T / HS-981 / HS-981T / HS-982T / HS-981T-EL / HS-803 series



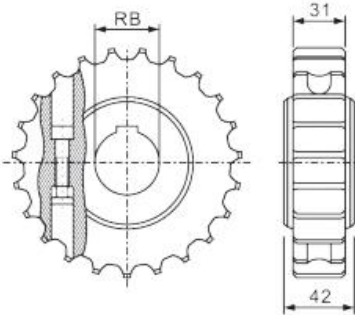
MOULDED SPLIT DRIVE AND IDLER SPROCKETS

| CHARACTERISTICS | | | | | | | | | |
|-----------------|-------------|------------|--------|--------------|--------|---------|--------|--------|--|
| N° Teeth | | Pitch Diam | | Outside Diam | | Rb Size | | Weight | |
| Z actual | Z effective | (mm) | (inch) | (mm) | (inch) | (mm) | (inch) | (kg) | |
| 21 | 10.5 | 129.26 | 5.09 | 130.0 | 5.1 | 25 | | 0.40 | |
| | | | | | | 30 | | | |
| | | | | | | 35 | | | |
| | | | | | | 40 | | | |
| | | | | | | 45 | | | |
| | | | | | | | 1 | | |
| | | | | | | | 1 3/16 | | |
| | | | | | | | 1 1/4 | | |
| | | | | | | | 1 7/16 | | |
| | | | | | | | 1 1/2 | | |
| | 1 5/8 | | | | | | | | |
| 23 | 11.5 | 141.20 | 5.56 | 141.9 | 5.6 | 25 | | 0.45 | |
| | | | | | | 30 | | | |
| | | | | | | 35 | | | |
| | | | | | | 40 | | | |
| | | | | | | 45 | | | |
| | | | | | | | 1 | | |
| | | | | | | | 1 3/16 | | |
| | | | | | | | 1 1/4 | | |
| | | | | | | | 1 7/16 | | |
| | | | | | | | 1 1/2 | | |
| | 1 5/8 | | | | | | | | |
| 25 | 12.5 | 153.20 | 6.03 | 151.0 | 6.0 | 25 | | 0.50 | |
| | | | | | | 30 | | | |
| | | | | | | 35 | | | |
| | | | | | | 40 | | | |
| | | | | | | 45 | | | |
| | | | | | | | 1 | | |
| | | | | | | | 1 3/16 | | |
| | | | | | | | 1 1/4 | | |
| | | | | | | | 1 7/16 | | |
| | | | | | | | 1 1/2 | | |
| | 1 5/8 | | | | | | | | |

Note: Sprockets made of steel or cast iron on request

SPROCKET

Sprockets for HS-881 / HS-881T / HS-981 / HS-981T / HS-982T / HS-981T-EL series



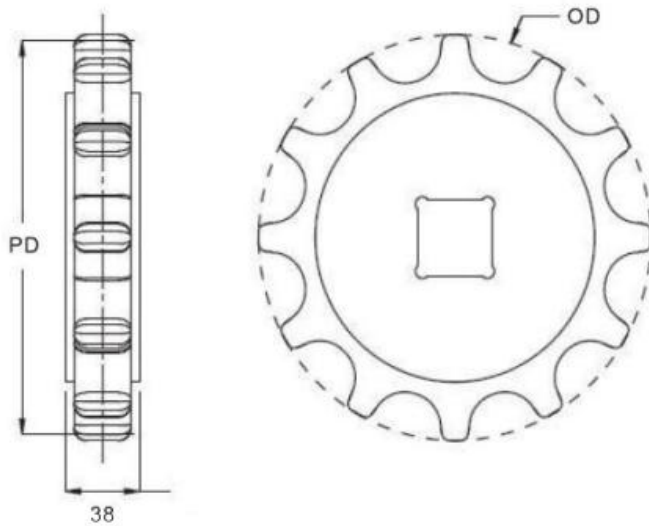
MOULDED SPLIT DRIVE AND IDLER SPROCKETS

| CHARACTERISTICS | | | | | | | | |
|-----------------|-------------|------------|--------|--------------|--------|---------|--------|-------------|
| N° Teeth | | Pitch Diam | | Outside Diam | | Rb Size | | Weight (kg) |
| Z actual | Z effective | (mm) | (inch) | (mm) | (inch) | (mm) | (inch) | |
| 17 | 8.5 | 105.47 | 4.15 | 104.4 | 4.1 | 25 | 0.31 | |
| | | | | | | 30 | 0.29 | |
| | | | | | | 35 | 0.28 | |
| | | | | | | 40 | 0.26 | |
| | | | | | | 1 | 0.31 | |
| | | | | | | 1 1/4 | 0.29 | |
| | | | | | | 1 1/2 | 0.26 | |
| 19 | 9.5 | 117.34 | 4.62 | 117.0 | 4.6 | 25 | 0.41 | |
| | | | | | | 30 | 0.39 | |
| | | | | | | 35 | 0.38 | |
| | | | | | | 40 | 0.36 | |
| | | | | | | 1 | 0.41 | |
| | | | | | | 1 7/16 | 0.38 | |
| | | | | | | 1 5/16 | 0.34 | |
| 21 | 10.5 | 129.26 | 5.09 | 129.4 | 5.1 | 25 | 0.47 | |
| | | | | | | 30 | 0.45 | |
| | | | | | | 35 | 0.44 | |
| | | | | | | 40 | 0.42 | |
| | | | | | | 1 | 0.47 | |
| | | | | | | 1 1/2 | 0.42 | |
| | | | | | | 2 | 0.39 | |
| 23 | 11.5 | 141.22 | 5.56 | 141.9 | 5.6 | 25 | 0.57 | |
| | | | | | | 30 | 0.55 | |
| | | | | | | 35 | 0.54 | |
| | | | | | | 40 | 0.52 | |
| | | | | | | 1 | 0.57 | |
| | | | | | | 1 1/2 | 0.52 | |
| | | | | | | 2 | 0.50 | |
| 25 | 12.5 | 153.20 | 6.03 | 154.2 | 6.1 | 25 | 0.68 | |
| | | | | | | 30 | 0.67 | |
| | | | | | | 35 | 0.65 | |
| | | | | | | 40 | 0.64 | |
| | | | | | | 1 | 0.68 | |
| | | | | | | 1 1/2 | 0.64 | |
| | | | | | | 2 1/2 | 0.60 | |

Note: Sprockets with 27 teeth also available. Other bore sizes in imperial units are available.

SPROCKET

Sprockets for HS-F3000A / HS-F3000A-TAB /
HS-F3000B / HS-F3000B-TAB series



MOULDED DRIVE AND IDLER SPROCKETS

CHARACTERISTICS

| N° Teeth Z actual | Pitch Diam | | Outside Diam | | Sq Size | | Rb Size | | Weight (kg) |
|----------------------|------------|--------|--------------|--------|---------|--------|---------|--------|----------------|
| | (mm) | (inch) | (mm) | (inch) | (mm) | (inch) | (mm) | (inch) | |
| 10 | 165.0 | 6.5 | 170.0 | 6.7 | 38.1 | 1.50 | 45.5 | -- | 0.99 |
| | | | | | 40.0 | | | | |
| 12 | 196.0 | 7.7 | 203.0 | 8.0 | 38.1 | 1.50 | 36.5 | -- | 1.18 |
| | | | | | 40.0 | | | | |

Note: Sprockets made of cast iron on request

Conversion rule of system international (SI)

| Technical Information | | | |
|---|---------------------------|-----------------------------|-----------------------|
| Unit before conversion SI (metric system) | System international (SI) | Divided by conversion ratio | Unit after conversion |
| Length | | | |
| 米 | m | 0.3048 | ft |
| 厘米 | cm | 30.48 | ft |
| 毫米 | mm | 304.8 | ft |
| 米 | m | 0.0254 | inch |
| 厘米 | cm | 2.54 | inch |
| 毫米 | mm | 25.4 | inch |
| 米 | m | 1609.34 | mile |
| 千米 | km | 1.60934 | mile |
| 米 | m | 0.9144 | yd |
| quality | | | |
| 克 | g | 28.3495 | oz |
| 千克 | kg | 0.0283495 | oz |
| 千克 | kg | 0.45359 | lb |
| Velocity | | | |
| 米/分钟 | | 0.00508 | ft/h |
| 米/小时 | | 0.3048 | ft/h |
| 米/分钟 | | 0.3048 | ft/min |
| 米/秒 | m/s | 0.00508 | ft/min |
| 米/分钟 | | 18.288 | ft/s |
| 米/秒 | m/s | 0.3048 | ft/s |
| Strenght&Strength /Length | | | |
| 牛 | N | 9.80665 | kgf |
| 牛 | N | 4448.22 | kip |
| 牛 | N | 0.27801 | ozf |
| 牛 | N | 4.44822 | lbf |
| 牛/米 | N/m | 175.1268 | lb/inch |
| 牛/米 | N/m | 14.5939 | lb/ft |

Reference value of service temperature

| Material | Symbol | Minimum temperature | Maximum temperature Dry running | Material use |
|--------------------------------------|------------|---------------------|---------------------------------|-----------------------------------|
| Length | | | | |
| Carbon steel | C45 | -70° | +180° | Metal link plate and roller chain |
| Ferritic stainless steel | Standard | -30° | +400° | Metal link plate |
| Extra Plus stainless steel | Extra Plus | -30° | +400° | Metal link plate |
| Austenitic stainless steel | Austic | -30° | +400° | Metal link plate and roller chain |
| Acetal resin | D,W | -40° | +80° | Metal link plate |
| Low-friction acetal resin | LF,LFW,LFG | -40° | +80° | Plastic Chains belt |
| High-friction acetal resin | XPG | -40° | +80° | Plastic Chains belt |
| New material | NG | -40° | +120° | Plastic Chains belt |
| Anti-electrostatic acetal resin | AS | -40° | +80° | Plastic Chains belt |
| High-temperature resistant material | HT | -40° | +120°<200 | Plastic Chains belt |
| Special chemical resistance material | CR | -10° | +100° | Plastic Chains belt |
| High wear-resistant material | AR | -10° | +100° | Plastic Chains belt |
| Acrylonitrile-butadiene rubber | NBR | -40° | +110° | Rubber pad and rubber chuck |
| EPDM rubber | EPDM | -40° | +80° | Rubber pad and rubber chuck |
| Polyamide | PA | -10° | +80° | Chain wheel and driven wheel |
| Reinforced polyamide | PA.FV | -20° | +120° | Chain wheel and driven wheel |
| Polypropylene | PP | -5° | +100° | Chain wheel and driven wheel |
| Reinforced polypropylene | PP.FV | -10° | +110° | Chain wheel and driven wheel |
| Polyethylene | PE | -40° | +80° | Chain wheel and driven wheel |

Cast nylon MC

Good comprehensive performance, high strength, stiffness & hardness, excellent resistance of creep, wear, heat and aging (applicable temperature range - 40℃~ 120℃), and good mechanical processing performance. Widely replace wear parts of mechanical equipment, such as copper and alloy parts.



Polyamide PA

- High strength, stiffness, hardness & toughness
- Excellent aging resistance and mechanical vibration reduction capability
- Good sliding capacity, wear resistance and mechanical processing performance

Instead of metals such as copper, PA is widely used in manufacturing bearing, gear, pump and other parts in mechanical, chemical, instrumentation and automobile industries. It has a large variety, including PA6, PA66, PA11, PA12, etc. The most commonly used PA66 nylon is a kind of "universal" material, applied in manufacturing mechanical structure parts and maintainable parts.



Polyethylene terephthalate PET

PEL, an engineering plastic material, is made of crystalline thermoplastic polyester with high strength, stiffness & hardness, and toughness, low friction coefficient and good dimensional stability. The applicable temperature range is - 40℃~ +110℃. Mainly used for high load sliding bearing parts, shell covers and complex parts in accurate size.



polytetrafluoroethylene PTFE

Commonly known as the king of plastic, F4 and teflon, it is made of suspension PTFE resin which is molded and pressed. It can be made into plank, car pass and tube. The model can be made through pressing and pulling. And it can also be mixed with graphite to be made into plate, rod, root, rope and raw material belt.



Acrylonitrile butadiene Styrene copolymers ABS

ABS resin is the most widely used polymer with the largest volume of production. It combines the various good performances of PS, SAN and BS and has good mechanical property of phase equilibrium with toughness, hardness and stiffness. ABS is a terpolymer of acrylonitrile, butadiene and styrene. A represents acrylonitrile, B butadiene and S styrene. Widely used in the automobile, electrical instrumentation and mechanical industries, it is usually made into gear, auto parts, fender, armrest, refrigerator liner, blade, bearing, handle, pipes, joint, instrument shell, dashboard, basin safety helmet, etc.



ultra-high molecular weight polyethylene UHMWPE

Good resistance to impact (ranking first among all plastics), corrosion resistance and chemical resistance, lower density than other thermoplastics, low wearing coefficient and water imbibition, superior demoulding performance, extremely low water imbibition, good electrical insulation & antistatic property, moderate mechanical strength, good creep resistance, excellent mechanical processing performance, continuous naturalness, high-energy radiation resistance.



Polyetheretherketone PEEK

PEEK is high polymer of which the main chain structure contains a ketone bond and two ethe bonds. It belongs to the special polymer materials. It is a kind of first-class crystalline polymer materials with high temperature resistance, chemical corrosion resistance and other physical and chemical properties. The melting point is 334 ℃, softening point 168 ℃, and tensile strength 132 ~ 148 Mpa. In place of the traditional materials such as metal and ceramic, it is mainly used in the manufacture of compressor valve plates, piston rings, seals, etc.



Polyoxymethylene POM

High strength, stiffness & hardness, excellent elasticity; good creep resistance; high impact strength even at low temperature; good dimensional stability; good slipping performance, wear resistance; excellent mechanical performance; physiological inert, suitable for direct contact with food. Mainly used for all kinds of sliding and rotation machinery parts, such as gear, pulley, sprocket, roller bearing and bearing ring.



polyurethane PU

CPU is the abbreviation of Polyurethane, and different density, elasticity, rigidity and other physical properties can be obtained by simply modifying the formula. With good thermoplasticity and spinnability, it can be made into plastic and fiber. PU composite plate gets good heat insulation, heat preservation and flame retardant effects. It is greatly used to replace glass fiber insulation materials, timber, traditional rubber products, etc.



Physical performance indicators of ordinary engineering plastic products (for reference)

| Performance | | | Extruded nylon Pa6 | Extruded nylon Pa66 | Extruded nylon Pa66-C | Extruded nylon Pa4.6 | Extruded nylon Pa66+30% Glass fiber | Cast nylon MC |
|---|----------|-------------------|----------------------------|----------------------------|-----------------------|----------------------|-------------------------------------|---------------------------------|
| Color | - | - | Natural color White, Black | Natural color White, Black | Natural color White | Red brown | Black | Natural color Ivory white Black |
| Density | 1183 | g/cm ³ | 1.14 | 1.14 | 1.14 | 1.18 | 1.29 | 1.15 |
| Water imbibition: | 62 | mg | 68/168 | 40/72 | 65/120 | 90/180 | 30/56 | 44/83 |
| immersing in 23°C water for 24 hours / 96 hours | 62 | % | 0.69/1.31 | | | | | |
| In the 23°C / 50% RH air | - | % | 2.6 | 2.4 | 2.5 | 2.8 | 1.7 | 2.2 |
| Soaking in 23°C water | - | % _{6.5} | 9 | 8 | 8.5 | 9.5 | 5.5 | |
| Thermal performance | | | | | | | | |
| Melting point | - | °C | 220 | 225 | 240 | 295 | 255 | 220 |
| Vitrification temperature | - | °C | - | - | - | - | - | - |
| Thermal conductivity at 23°C | - | W/(k.m) | 0.28 | 0.28 | 0.28 | 0.30 | 0.30 | 0.29 |
| Coefficient of linear thermal expansion: | | | | | | | | |
| The average between 23-100°C | - | m/(m.k) | 95X10 ⁻⁶ | 80X10 ⁻⁶ | 85X10 ⁻⁶ | 80X10 ⁻⁶ | 50X10 ⁻⁶ | 80X10 ⁻⁶ |
| The average between 23-150°C | - | m/(m.k) | 105X10 ⁻⁶ | 95X10 ⁻⁶ | 100X10 ⁻⁶ | 90X10 ⁻⁶ | 60X10 ⁻⁶ | 90X10 ⁻⁶ |
| Thermal deformation temperature: | | | | | | | | |
| Method A: 18Mpa | + | °C | 70 | 85 | 75 | 160 | 150 | 80 |
| Allowable operating temperature in the air: | | | | | | | | |
| Short time | - | °C | 160 | 180 | 170 | 200 | 240 | 170 |
| Continuous work: 5000/20000 | - | °C | 85/70 | 95/80 | 90/97 | 155/135 | 120/110 | 105/90 |
| Minimum operating temperature | | | -40 | -30 | -30 | -40 | -20 | -30 |
| Flammability: | | | | | | | | |
| *Oxygen index* | 4589 | % | 25 | 25 | 24 | 24 | - | 25 |
| According to the UL 94 (thickness in 3/6) | - | - | HB/HB | HB/HB | HB/HB | HB/HB | HB/HB | HB/HB |
| Mechanical performance in 23°C | | | | | | | | |
| Stress test: | | | | | | | | |
| Bending tensile stress/Broken tensile stress | + | Mpa | 76/- | 90/- | 86/- | 100/- | -/100 | 85/- |
| | ++ | Mpa | 45/- | 55/- | 50/- | 55/- | -/75 | 55/- |
| Breaking tensile strain | + | % | >50 | >40 | >50 | 25 | 5 | 25 |
| | ++ | % | >100 | >100 | >100 | >100 | 12 | >50 |
| Modulus of elasticity for tension | + | Mpa | 3250 | 3450 | 3300 | 3300 | 5900 | 3500 |
| | ++ | Mpa | 1400 | 1650 | 1450 | 1300 | 3200 | 1700 |
| Compression test: | | | | | | | | |
| 1/2/5% normal strain compression capability | + | Mpa | 24/46/80 | 25/49/92 | 24/47/88 | 23/45/94 | 28/55/90 | 26/51/92 |
| Creep-resistance tensile test | | | | | | | | |
| 1% of strain to stress (1000h) | + | Mpa | 18 | 20 | 19 | 22 | 26 | 22 |
| | ++ | Mpa | 7 | 8 | 7.5 | 7.5 | 18 | 10 |
| Pendulum impact test----Unnotched | + | Kj/m ² | no break | no break | no break | no break | ≥50 | no break |
| Pendulum impact test----Notched | + | Kj/m ² | 5.5 | 4.5 | 5 | 8 | 6 | 35 |
| Ball indentation hardness | + | N/mm ² | 150 | 160 | 155 | 165 | 165 | 160 |
| Rockwell hardness | + | - | M85 | M88 | M87 | M92 | M76 | M88 |
| Electrical performance at 23°C | | | | | | | | |
| Dielectric strength | + | Kv/mm | 25 | 26 | 26 | 25 | 30 | 25 |
| | ++ | Kv/mm | 16 | 18 | 17 | 15 | 20 | 17 |
| Volume resistance | + | Ohm.cm | >10 ¹⁴ | >10 ¹⁴ | >10 ¹⁴ | >10 ¹⁴ | >10 ¹⁴ | >10 ¹⁴ |
| | ++ | Ohm.cm | >10 ¹² | >10 ¹² | >10 ¹² | >10 ¹² | >10 ¹² | >10 ¹² |
| Surface resistance | + | Ohm | >10 ¹³ | >10 ¹³ | >10 ¹³ | >10 ¹³ | >10 ¹³ | >10 ¹³ |
| | ++ | Ohm | >10 ¹² | >10 ¹² | >10 ¹² | >10 ¹² | >10 ¹² | >10 ¹² |
| Relative dielectric constant | -100M HZ | - | 3.9 | 3.8 | 3.8 | 3.8 | 3.9 | 3.6 |
| | ++ | - | 7.4 | 7.4 | 7.4 | 7.4 | 6.9 | 6.6 |
| | + | - | 3.3 | 3.3 | 3.3 | 3.4 | 3.6 | 3.2 |
| | -1M HZ | ++ | 3.8 | 3.8 | 3.8 | 3.8 | 3.9 | 3.7 |
| Dielectric demand constant | -100M HZ | + | 0.019 | 0.013 | 0.013 | 0.009 | 0.012 | 0.012 |
| | ++ | - | 0.13 | 0.13 | 0.13 | 0.13 | 0.19 | 0.14 |
| | -1M HZ | + | 0.021 | 0.020 | 0.020 | 0.019 | 0.014 | 0.016 |
| | ++ | - | 0.06 | 0.06 | 0.06 | 0.06 | 0.04 | 0.05 |
| Comparative tracking index (CTI) | + | - | 600 | 600 | 600 | 400 | 475 | 600 |
| | ++ | - | 600 | 600 | 600 | 400 | 475 | 600 |

| Cast nylon Pa6 | Cast nylon MC+ Oil | Cast nylon MC | Cast nylon Pa6 + Molybdenum disulfide | Cast nylon Pa6 + Solid lubricant | Cast nylon Pa66 + Molybdenum disulfide | Polyoxymethylene POM-C | Polyoxymethylene POM-H | Polyoxymethylene POM-H-TF | Polyethylene terephthalate PET | PET+ Solid lubricant | Polycarbonate PC |
|---------------------------------------|---------------------|---------------------|---------------------------------------|----------------------------------|--|----------------------------|----------------------------|---------------------------|-------------------------------------|----------------------|-------------------------------------|
| Black | Green | Blue | Grey black | Grey | Grey black | Natural color White, Black | Natural color White, Black | Dark brown | Natural color Clear and translucent | Grey | Natural color Clear and translucent |
| 1.15 | 1.135 | 1.15 | 1.16 | 1.15 | 1.15 | 1.41 | 1.43 | 1.50 | 1.39 | 1.44 | 1.20 |
| 47/89 | 44/83 | 49/93 | 52/98 | 40/76 | 46/85 | 20/37 | 18/36 | 16/32 | 6/13 | 5/11 | 13/23 |
| 0.69/1.31 | 0.66/1.24 | 0.72/1.37 | 0.76/1.43 | 0.59/1.12 | 0.68/1.25 | 0.24/0.45 | 0.21/0.43 | 0.18/0.36 | 0.07/0.16 | 0.06/0.13 | 0.18/0.33 |
| 2.2 | 2 | 2.3 | 2.4 | 2 | 2.3 | 0.20 | 0.20 | 0.17 | 0.25 | 0.23 | 0.15 |
| 6.5 | 6.3 | 6.6 | 6.7 | 6.3 | 7.8 | 0.85 | 0.85 | 0.72 | 0.50 | 0.47 | 0.35 |
| Thermal performance | | | | | | | | | | | |
| 220 | 220 | 220 | 220 | 220 | 225 | 165 | 175 | 175 | 225 | 225 | - |
| - | - | - | - | - | - | - | - | - | - | - | 150 |
| 0.29 | 0.28 | 0.29 | 0.30 | 0.29 | 0.29 | 0.31 | 0.31 | 0.31 | 0.29 | 0.29 | 0.21 |
| Mechanical performance in 23°C | | | | | | | | | | | |
| 80X10 ⁻⁶ | 80X10 ⁻⁶ | 80X10 ⁻⁶ | 80X10 ⁻⁶ | 80X10 ⁻⁶ | 80X10 ⁻⁶ | 110X10 ⁻⁶ | 95X10 ⁻⁶ | 105X10 ⁻⁶ | 65X10 ⁻⁶ | 65X10 ⁻⁶ | 65X10 ⁻⁶ |
| 90X10 ⁻⁶ | 90X10 ⁻⁶ | 90X10 ⁻⁶ | 90X10 ⁻⁶ | 90X10 ⁻⁶ | 90X10 ⁻⁶ | 125X10 ⁻⁶ | 110X10 ⁻⁶ | 125X10 ⁻⁶ | 80X10 ⁻⁶ | 85X10 ⁻⁶ | 65X10 ⁻⁶ |
| 80 | 75 | 80 | 80 | 75 | 85 | 105 | 115 | 105 | 75 | 75 | 130 |
| 180 | 165 | 170 | 170 | 165 | 180 | 140 | 150 | 150 | 160 | 160 | 135 |
| 120/105 | 105/90 | 105/90 | 105/90 | 105/90 | 95/80 | 115/100 | 105/90 | 105/90 | 115/100 | 115/100 | 125/115 |
| -30 | -20 | -30 | -30 | -30 | -20 | -50 | -50 | -20 | -20 | -20 | -60 |
| 25 | - | 25 | 25 | - | 26 | 15 | 15 | - | 25 | 25 | 25 |
| HB/HB | HB/HB | HB/HB | HB/HB | HB/HB | HB/HB | HB/HB | HB/HB | HB/HB | HB/HB | HB/HB | HB/HB |
| Mechanical performance in 23°C | | | | | | | | | | | |
| 83/- | 70/- | 81/- | 78/- | 76/- | 92/- | 68/- | 78/- | -/55 | 90/- | -/76 | 70/- |
| 55/- | 45/- | 50/- | 50/- | 50/- | 55/- | 68/- | 78/- | -/55 | 90/- | -/76 | 70/- |
| 25 | 25 | 35 | 25 | 25 | 20 | 35 | 35 | 10 | 15 | 7 | >50 |
| >50 | >50 | >50 | >50 | >50 | >50 | 35 | 35 | 10 | 15 | 7 | >50 |
| 3400 | 3000 | 3200 | 3300 | 3100 | 3500 | 3100 | 3600 | 3200 | 3700 | 3450 | 2400 |
| 1650 | 1450 | 1550 | 1600 | 1500 | 1675 | 3100 | 3600 | 3200 | 3700 | 3450 | 2400 |
| 26/51/92 | 22/43/79 | 24/47/88 | 25/49/88 | 23/44/81 | 25/49/92 | 19/35/67 | 22/40/75 | 20/37/69 | 26/51/103 | 24/47/95 | 18/35/75 |
| 22 | 18 | 21 | 21 | 18 | 21 | 13 | 15 | 13 | 26 | 23 | 17 |
| 10 | 8 | 9 | 9 | 8 | 9 | 13 | 15 | 13 | 26 | 23 | 17 |
| no break | ≥50 | no break | no break | ≥100 | no break | ≥200 | ≥150 | ≥30 | ≥50 | ≥30 | no break |
| 35 | 4 | 3.5 | 3.5 | 4 | 4 | 7 | 10 | 3 | 2 | 2.5 | 9 |
| 165 | 145 | 160 | 160 | 150 | 165 | 140 | 160 | 140 | 170 | 160 | 120 |
| M87 | M82 | M85 | M84 | M81 | M88 | M84 | M88 | M84 | M96 | M94 | M75 |
| 29 | 22 | 25 | 24 | 25 | 26 | 20 | 20 | 20 | 22 | 21 | 28 |
| 19 | 14 | 17 | 16 | 17 | 16 | 20 | >10 | 20 | 22 | 21 | 28 |
| >10 ¹⁴ | >10 ¹⁴ | >10 ¹⁴ | >10 ¹⁴ | >10 ¹⁴ | >10 ¹⁴ | >10 ¹⁴ | >10 ¹⁴ | >10 ¹⁴ | >10 ¹⁴ | >10 ¹⁴ | >10 ¹⁵ |
| >10 ¹² | >10 ¹² | >10 ¹² | >10 ¹² | >10 ¹² | >10 ¹² | >10 ¹² | >10 ¹² | >10 ¹² | >10 ¹² | >10 ¹² | >10 ¹⁵ |
| >10 ¹³ | >10 ¹³ | >10 ¹³ | >10 ¹³ | >10 ¹³ | >10 ¹³ | >10 ¹³ | >10 ¹³ | >10 ¹³ | >10 ¹³ | >10 ¹³ | >10 ¹⁵ |
| >10 ¹² | >10 ¹² | >10 ¹² | >10 ¹² | >10 ¹² | >10 ¹² | >10 ¹³ | >10 ¹³ | >10 ¹³ | >10 ¹³ | >10 ¹³ | >10 ¹⁵ |
| 3.6 | 3.5 | 3.6 | 3.6 | 3.6 | 3.8 | 3.8 | 3.8 | 3.6 | 3.4 | 3.4 | 3 |
| 6.6 | 6.5 | 6.6 | 6.6 | 6.6 | 7.4 | 3.8 | 3.8 | 3.6 | 3.4 | 3.4 | 3 |
| 3.2 | 3.1 | 3.2 | 3.2 | 3.2 | 3.3 | 3.8 | 3.8 | 3.6 | 3.2 | 3.2 | 3 |
| 3.7 | 3.6 | 3.7 | 3.7 | 3.7 | 3.8 | 3.8 | 3.8 | 3.6 | 3.2 | 3.2 | 3 |
| 0.015 | 0.015 | 0.012 | 0.012 | 0.012 | 0.013 | 0.003 | 0.003 | 0.003 | 0.001 | 0.001 | 0.001 |
| 0.15 | 0.15 | 0.14 | 0.14 | 0.14 | 0.13 | 0.003 | 0.003 | 0.003 | 0.001 | 0.001 | 0.001 |
| 0.017 | 0.016 | 0.016 | 0.016 | 0.016 | 0.020 | 0.008 | 0.008 | 0.008 | 0.014 | 0.014 | 0.008 |
| 0.05 | 0.05 | 0.05 | 0.05 | 0.05 | 0.06 | 0.008 | 0.008 | 0.008 | 0.014 | 0.014 | 0.008 |
| 600 | 600 | 600 | 600 | 600 | 600 | 600 | 600 | 600 | 600 | 600 | 350(225) |
| 600 | 600 | 600 | 600 | 600 | 600 | 600 | 600 | 600 | 600 | 600 | 350(225) |

Physical performance indicators of advanced engineering plastics products

| Performance | Test method | Unit | Polybenzimidazole PBI | Polyamide-imide PAI | Polyamide-imide PAI+PTFE | Polyamide-imide PAI+30% glass fiber | Polyetheretherketone PEEK | Polyetheretherketone PEEK-HPV |
|---|-------------|-------------------|-----------------------|----------------------------|--------------------------|-------------------------------------|--------------------------------|-------------------------------|
| Color | - | - | Black | Natural color Yellow brown | Black | Black | Natural color Brown grey Black | Black |
| Density | 1183 | g/cm ³ | 1.41 | 1.45 | 1.61 | 1.45 | 1.31 | 1.45 |
| Water imbibition: | | | | | | | | |
| Immersing in 23°C water for 24 hours / 96 hours | 62 | % | 0.50/1.06 | 0.29/- | 0.21/- | 0.18/- | 0.06/0.12 | 0.05/0.11 |
| In the 23°C / 50% RH air | - | % | - | 2.5 | 1.9 | 1.7 | 0.20 | 0.14 |
| Soaking in 23°C water | - | % | 14 | 4.5 | 3.5 | 3.0 | 0.45 | 0.30 |
| Thermal performance | | | | | | | | |
| Melting point | - | °C | NA | NA | NA | NA | 340 | 340 |
| Vitrification temperature | - | °C | 425 | 285 | 285 | 285 | - | - |
| Thermal conductivity at 23°C | - | W/(k.m) | 0.40 | 0.26 | 0.54 | 0.36 | 0.25 | 0.24 |
| Coefficient of linear thermal expansion: | | | | | | | | |
| The average between 23-100°C | - | m/(m.k) | 25X10 ⁻⁶ | 30X10 ⁻⁶ | 25X10 ⁻⁶ | 25X10 ⁻⁶ | 50X10 ⁻⁶ | 30X10 ⁻⁶ |
| The average between 23-150°C | - | m/(m.k) | 25X10 ⁻⁶ | 30X10 ⁻⁶ | 25X10 ⁻⁶ | 25X10 ⁻⁶ | 50X10 ⁻⁶ | 30X10 ⁻⁶ |
| Average above 150°C | - | m/(m.k) | 25X10 ⁻⁶ | 30X10 ⁻⁶ | 25X10 ⁻⁶ | 25X10 ⁻⁶ | 110X10 ⁻⁶ | 65X10 ⁻⁶ |
| Thermal deformation temperature: | | | | | | | | |
| Method A: 18Mpa | 75 | °C | 425 | 280 | 280 | 280 | 160 | 195 |
| Allowable operating temperature in the air: | | | | | | | | |
| Short time | - | °C | 500 | 270 | 270 | 270 | 310 | 310 |
| Continuous work: at least 20000 | - | °C | 310 | 250 | 250 | 250 | 250 | 250 |
| Flammability: | | | | | | | | |
| *Oxygen index* | 4589 | % | 58 | 45 | 44 | 50 | 35 | 43 |
| According to the UL 94 (thickness in 3/6) | - | - | V-0/V-0 | V-0/V-0 | V-0/V-0 | V-0/V-0 | V-0/V-0 | V-0/V-0 |
| Mechanical performance in 23°C | | | | | | | | |
| Stress test: | | | | | | | | |
| Bending tensile stress/Broken tensile stress | 527 | Mpa | -/160 | 120/- | -/80 | -/95 | 110/- | -/75 |
| Breaking tensile strain | 527 | % | 3 | 10 | 5 | 3 | 20 | 5 |
| Modulus of elasticity for tension | 527 | Mpa | 5800 | 4500 | 5800 | 6000 | 4400 | 5900 |
| Compression test: | | | | | | | | |
| 1% normal strain compression capability | 604 | Mpa | 42 | 27 | 31 | - | 29 | 34 |
| 2% normal strain compression capability | 604 | Mpa | 82 | 53 | 58 | - | 57 | 67 |
| Pendulum impact test----Unnotched | 179/1eu | Kj/m ² | - | no break | - | - | no break | 25 |
| Pendulum impact test----Notched | 179/1eA | Kj/m ² | 3.5 | 10 | 4 | 3.5 | 3.5 | 2.5 |
| Ball indentation hardness | 2039-1 | N/mm ² | 375 | 200 | 200 | - | 230 | 215 |
| Rockwell hardness | 2039-2 | - | E104 | E79 | M105 | M77 | M105 | M85 |
| Electrical performance at 23°C | | | | | | | | |
| Dielectric strength | (243) | Kv/mm | 22 | 24 | - | 28 | 24 | - |
| Volume resistance | (93) | Ohm.cm | 10 ¹⁴ | 10 ¹⁷ | 10 ¹⁵ | 10 ¹⁷ | 10 ¹⁶ | - |
| Surface resistance | (93) | Ohm | >10 ¹² | 10 ¹⁸ | 10 ¹⁷ | 10 ¹⁶ | 10 ¹⁶ | - |
| Relative dielectric constant -100M HZ | (250) | - | 3.3 | 4.2 | 6.0 | 4.4 | 3.2 | - |
| -1M HZ | (250) | - | 3.3 | 3.9 | 5.4 | 6.5 | 3.2 | - |
| Dielectric demand constant -100M HZ | (250) | - | 0.001 | 0.026 | 0.037 | 0.022 | 0.001 | - |
| -1M HZ | (250) | - | - | - | 0.042 | 0.050 | 0.002 | - |
| Comparative tracking index (CTI) | (112) | - | - | - | - | - | - | - |

Note: 1g/cm³ = 1000kg/m³, 1MPa = 1N/mm, 1KV/mm = 1MV/m

Machining tensile test piece is manufactured in accordance with ASTM D 1708 and tested with ASTM D 638.

| Polyetheretherketone PEEK-GF30 | Polyetheretherketone PEEK-CA30 | Polyphenylene sulfide PPS | Polyethylene sulfone PPSU | Polyetherimide PEI | Polysulfone PSU | Polyvinylidene Fluoride PVDF | Reinforced polytetrafluoroethylene PTFE | Reinforced polytetrafluoroethylene PTFE | Anti-electrostatic POM ESD | Anti-electrostatic PEI ESD | Anti-electrostatic PTFE ESD |
|---------------------------------------|--------------------------------|---------------------------|---------------------------|---|---|------------------------------|---|---|------------------------------------|----------------------------------|------------------------------------|
| Natural color Brown grey | Black | Dark blue | Black | Natural color Dark yellow and translucent | Natural color Dark yellow and translucent | Natural color White | Ivory white | White | Buff | Black | White |
| 1.51 | 1.41 | 1.43 | 1.29 | 1.27 | 1.24 | 1.79 | 2.32 | 2.30 | 1.33 | 1.41 | 2.30 |
| - | - | 0.01/0.03 | 0.35/0.72 | 0.26/0.54 | 0.32/0.61 | 0.01/0.03 | 0.10/- | 0.03/- | 5/9 | - | 0.03/- |
| 0.14 | 0.14 | 0.03 | 0.60 | 0.75 | 0.40 | 0.05 | - | - | 0.8 | 0.75 | - |
| 0.30 | 0.30 | 0.09 | 1.20 | 1.35 | 0.85 | 0.05 | 3.0 | 2.0 | 10 | 1.35 | 2.0 |
| Thermal performance | | | | | | | | | | | |
| 340 | 340 | 280 | - | - | - | 175 | 327 | 327 | 165 | - | 327 |
| - | - | - | 220 | 215 | 190 | - | - | - | - | 215 | - |
| 0.43 | 0.92 | 0.30 | 0.35 | 0.22 | 0.26 | 0.19 | 0.77 | - | - | - | - |
| Mechanical performance in 23°C | | | | | | | | | | | |
| 30X10 ⁻⁶ | 25X10 ⁻⁶ | 50X10 ⁻⁶ | 55X10 ⁻⁶ | 45X10 ⁻⁶ | 60X10 ⁻⁶ | 130X10 ⁻⁶ | 45X10 ⁻⁶ | 100X10 ⁻⁶ | 150X10 ⁻⁶ | 35X10 ⁻⁶ | 100X10 ⁻⁶ |
| 30X10 ⁻⁶ | 25X10 ⁻⁶ | 60X10 ⁻⁶ | 55X10 ⁻⁶ | 45X10 ⁻⁶ | 60X10 ⁻⁶ | 145X10 ⁻⁶ | 45X10 ⁻⁶ | 100X10 ⁻⁶ | - | 35X10 ⁻⁶ | 100X10 ⁻⁶ |
| 65X10 ⁻⁶ | 55X10 ⁻⁶ | 80X10 ⁻⁶ | 55X10 ⁻⁶ | 45X10 ⁻⁶ | - | - | 60X10 ⁻⁶ | 140X10 ⁻⁶ | - | 35X10 ⁻⁶ | 140X10 ⁻⁶ |
| 230 | 230 | 115 | 200 | 190 | 170 | 105 | 130 | 100 | - | 210 | 100 |
| 310 | 320 | 260 | 210 | 200 | 180 | 160 | 280 | 280 | 140 | 200 | 280 |
| 250 | 250 | 220 | 180 | 170 | 150 | 150 | 260 | 260 | 90 | 170 | 260 |
| 40 | 40 | 47 | 44 | 47 | 30 | 44 | - | - | <20 | 47 | - |
| V-0/V-0 | V-0/V-0 | V-0/V-0 | V-0/V-0 | V-0/V-0 | HB/HB | V-0/V-0 | V-0/V-0 | V-0/V-0 | -/HB | V-0/V-0 | V-0/V-0 |
| Electrical performance at 23°C | | | | | | | | | | | |
| -/90 | -/130 | -/75 | 76/- | 105/- | 80/- | 50/- | -/8 | -/10 | -/38 | -/62 | -/10 |
| 5 | 5 | 5 | 30 | 10 | 10 | >20 | 10 | 50 | 15 | 5 | 50 |
| 6300 | 7700 | 3700 | 2500 | 3400 | 2700 | 2300 | 2200 | 1800 | 1500 | 6400 | 1800 |
| 41 | 49 | 28 | 18 | 25 | 20 | 17 | - | - | 11 | - | - |
| 81 | 97 | 55 | 35 | 49 | 39 | 32 | - | - | 20 | - | - |
| 35 | 35 | 25 | no break | no break | no break | no break | no break | no break | no break | - | no break |
| 4 | 4 | 3.5 | 10 | 3.5 | 4 | 10 | 10 | 3 | 2 | 2.5 | 9 |
| 270 | 325 | 180 | - | 170 | 155 | 110 | 160 | 140 | 170 | 160 | 120 |
| M99 | M102 | M84 | M80 | M114 | M91 | M75 | M88 | M84 | M96 | M94 | M75 |
| 24 | - | 24 | - | 27 | 30 | 18 | 11 | 8 | - | - | - |
| 10 ¹⁵ | 10 ¹⁵ | 10 ¹⁵ | 10 ¹⁵ | 10 ¹⁸ | 10 ¹⁷ | 10 ¹⁵ | >10 ¹² | >10 ¹² | 10 ¹⁰ -10 ¹² | 10 ⁴ -10 ⁶ | 10 ¹⁰ -10 ¹² |
| 10 ¹⁵ | - | 10 ¹⁵ | 10 ¹⁵ | 10 ¹⁷ | 10 ¹⁷ | 10 ¹⁶ | >10 ¹² | >10 ¹² | 10 ¹⁰ -10 ¹² | 10 ⁴ -10 ⁶ | 10 ¹⁰ -10 ¹² |
| 3.2 | - | 3.3 | 3.4 | 3.0 | 3.0 | 7.4 | - | - | - | - | - |
| 3.6 | - | 3.3 | 3.5 | 3.0 | 3.0 | 6.0 | 2.65 | 2.65 | - | - | - |
| 0.001 | - | 0.003 | 0.001 | 0.002 | 0.001 | 0.025 | - | - | - | - | - |
| 0.002 | - | 0.003 | 0.005 | 0.002 | 0.003 | 0.165 | 0.008 | 0.008 | - | - | - |
| 175 | - | 100 | - | 175 | 150 | 600 | - | - | - | - | - |

