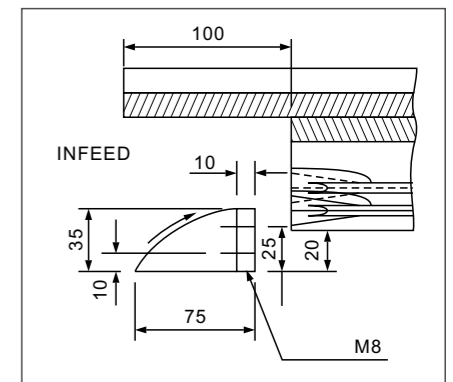
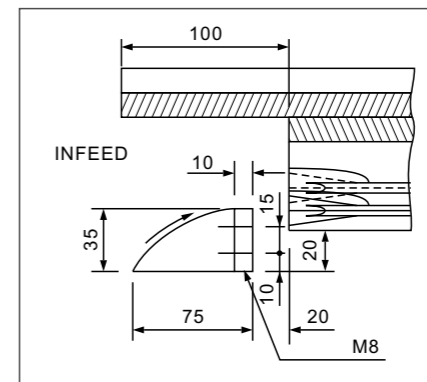
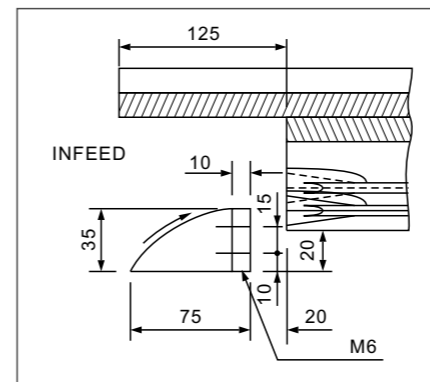
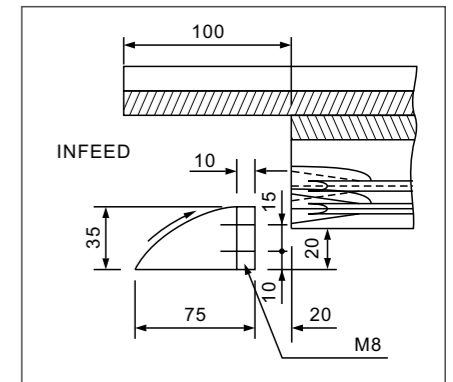
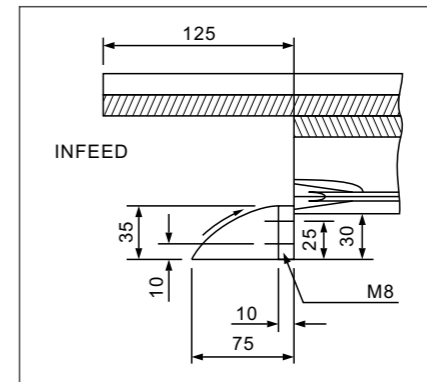
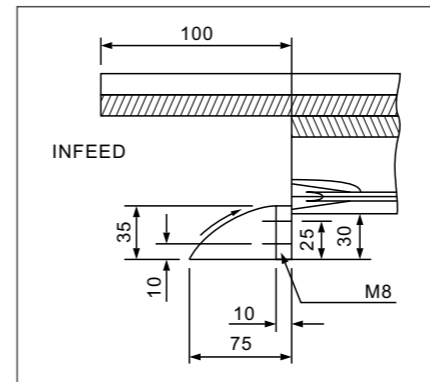
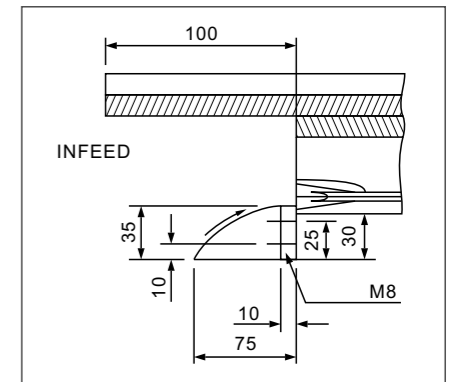
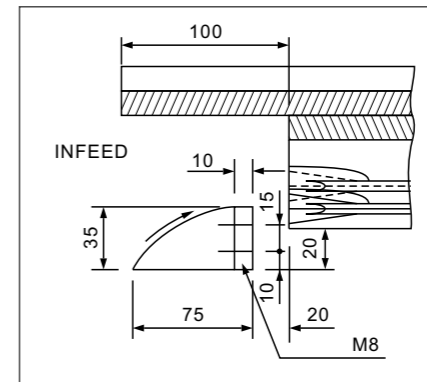
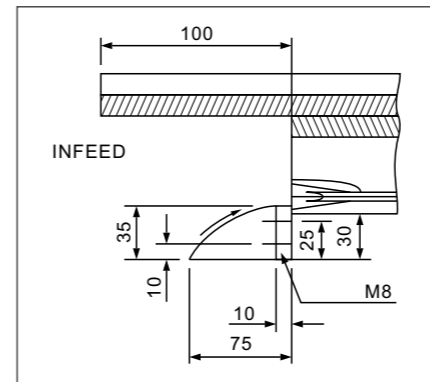
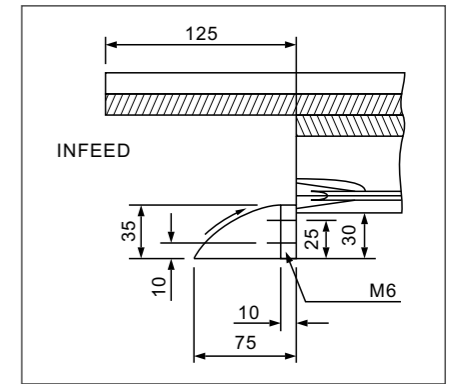
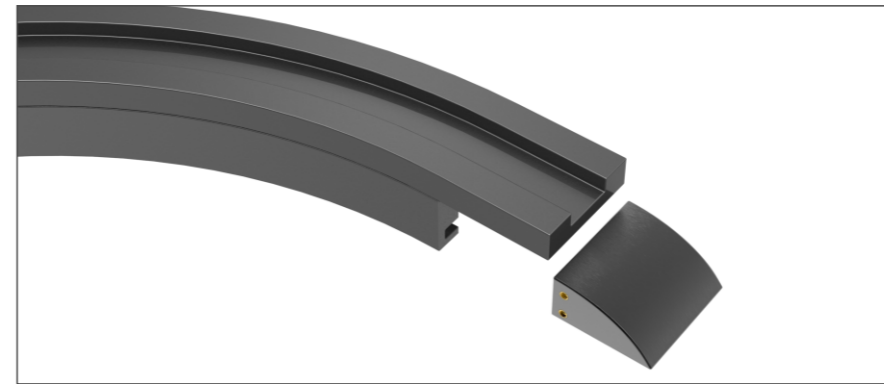
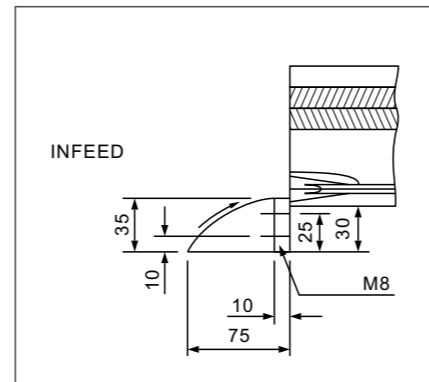
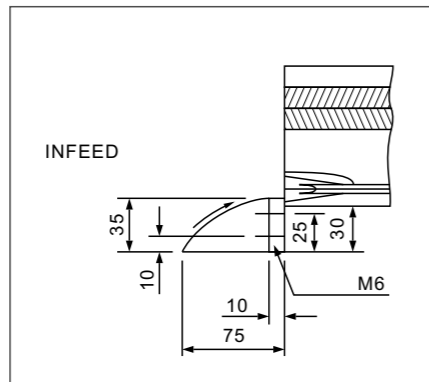
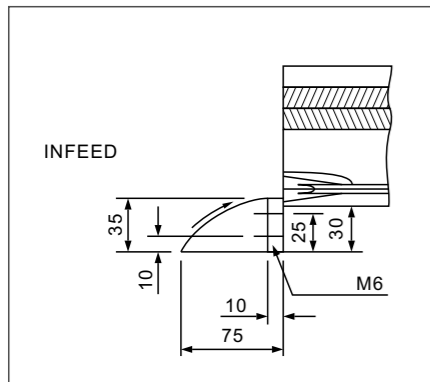
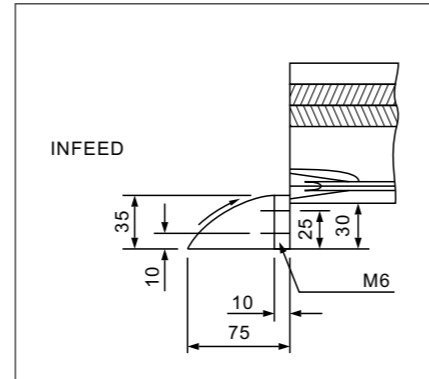
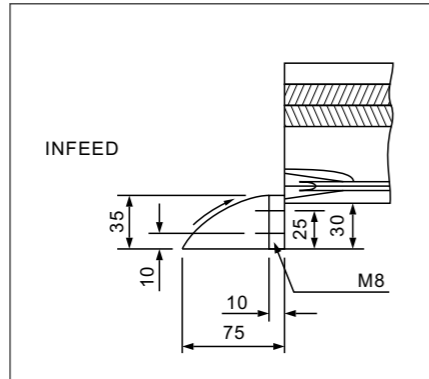
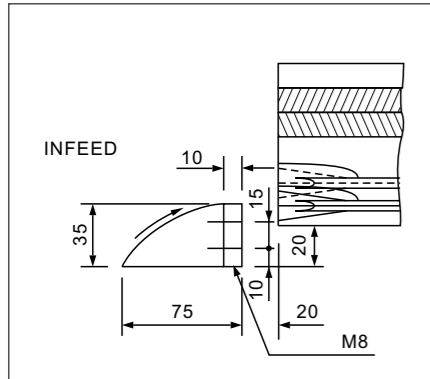
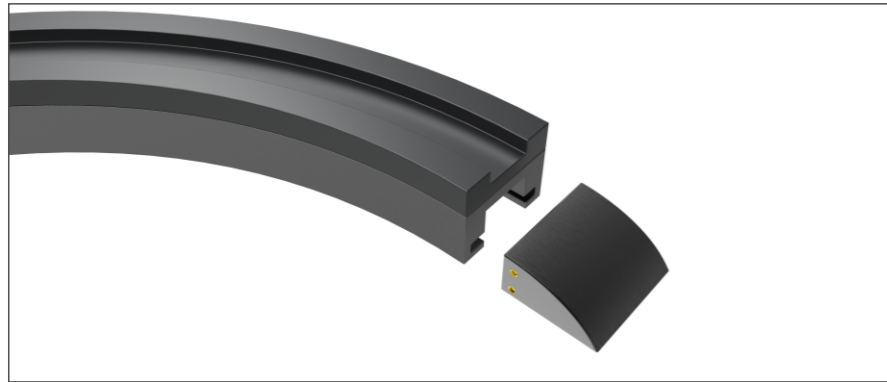


Finger plate for Seats of Curved Guide Rail

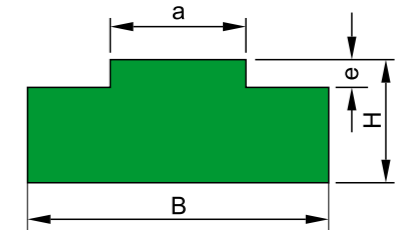
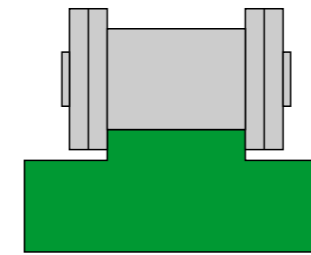


Finger plate for Seats of Curved Guide Rail



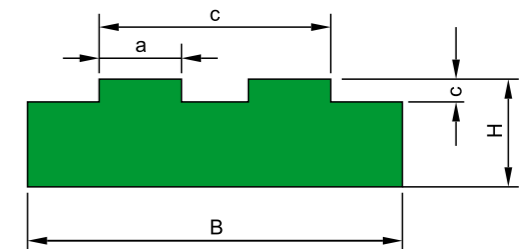
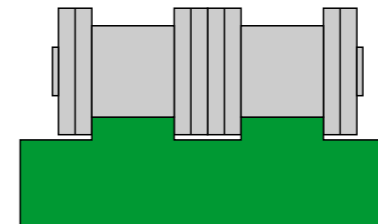
High-strength chain guide rail

Chain guide rail



Single-chain guide rail A1 model
Standard length:2000mm

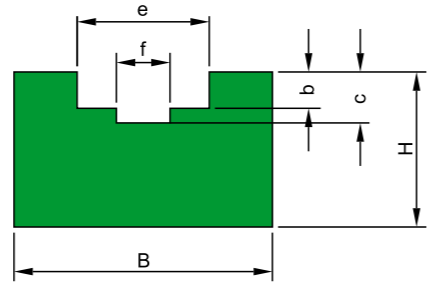
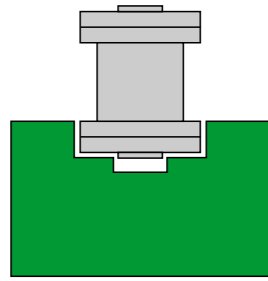
Type No.	Pitch(inch)	ISO-No.	a	e	B	H
HS-DG-T0	3/8" X7/32"	06-B1	5.5	1.5	15.0	10.0
HS-DG-T1	1/2" X5/16"	08-B1	7.5	2.2	20.0	10.0
HS-DG-T2	5/8" X3/8"	10-B1	9.3	2.6	20.0	10.0
HS-DG-T3	3/4" X7/16"	12-B1	11.3	2.6	25.0	10.0
HS-DG-T4	1" X17mm	16-B1	16.5	4.2	40.0	15.0
HS-DG-T5	1 1/4" X3/4"	20-B1	19.0	4.2	45.0	15.0
HS-DG-T6	1 1/2" X1"	24-B1	24.7	5.5	60.0	15.0
HS-DG-T7	1 3/4" X31mm	28-B1	30.1	6.8	75.0	20.0
HS-DG-T8	2" X31mm	32-B1	30.1	7.7	80.0	20.0



Dual-chain guide rail A2 model
Standard length:2000mm

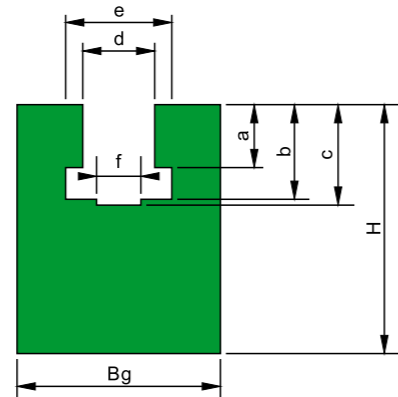
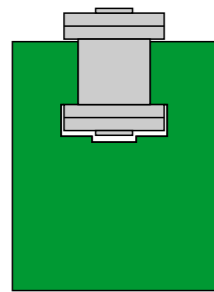
Type No.	Pitch(inch)	ISO-No.	a	c	e	B	H
HS-DG-T0.2	3/8" X7/32"	06-B2	5.5	15.7	1.5	25.0	10.0
HS-DG-T1.2	1/2" X5/16"	08-B2	7.5	21.4	2.2	35.0	10.0
HS-DG-T2.2	5/8" X3/8"	10-B2	9.3	25.8	2.6	40.0	10.0
HS-DG-T3.2	3/4" X7/16"	12-B2	11.3	30.6	2.6	45.0	10.0
HS-DG-T4.2	1" X17mm	16-B2	16.5	48.0	4.2	48.0	15.0
HS-DG-T5.2	1 1/4" X3/4"	20-B2	19.0	55.0	4.2	55.0	15.0
HS-DG-T6.2	1 1/2" X1"	24-B2	24.7	72.0	5.5	72.0	20.0
HS-DG-T7.2	1 3/4" X31mm	28-B2	30.1	89.0	6.8	89.0	25.0
HS-DG-T8.2	2" X31mm	32-B2	30.1	88.0	7.7	88.0	30.0

High-strength chain guide rail



Single-chain guide rail B model
Standard length:2000mm

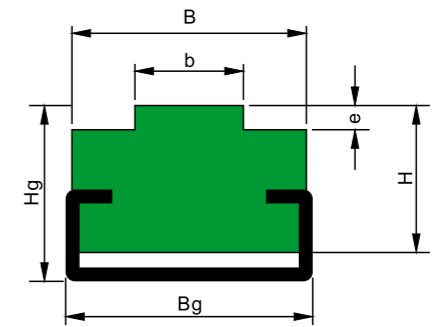
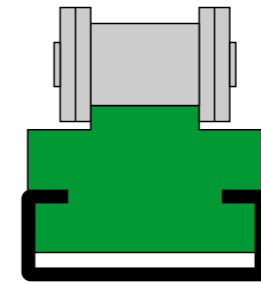
Type No.	Pitch(inch)	ISO-No.	b	c	e	f	B	H
HS-DG-U0	3/8" X7/32"	06-B1	2.8	4.2	9.2	3.7	15.0	15.0
HS-DG-U1	1/2" X5/16"	08-B1	3.5	4.8	12.7	4.9	20.0	15.0
HS-DG-U2	5/8" X3/8"	10-B1	3.5	5.2	15.2	5.6	25.0	15.0
HS-DG-U3	3/4" X7/16"	12-B1	3.9	5.7	16.7	6.3	25.0	20.0
HS-DG-U4	1" X17mm	16-B1	8.4	10.0	21.7	8.9	35.0	25.0



Single-chain guide rail C model
Standard length:2000mm

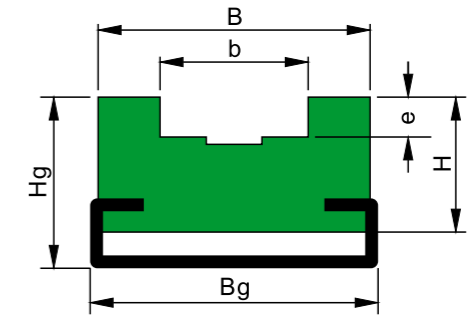
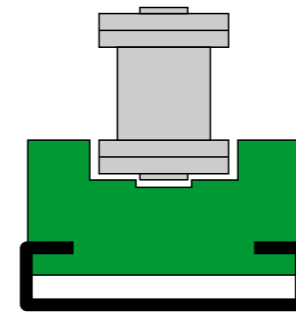
Type No.	Pitch(inch)	ISO-No.	a	b	c	d	e	f	B	H
HS-DG-BL0	3/8" X7/32"	06-B1	5.5	9.0	10.2	6.6	9.2	3.7	20.0	25.0
HS-DG-BL1	1/2" X5/16"	08-B1	7.5	11.7	12.9	8.7	12.7	4.9	24.0	30.0
HS-DG-BL2	5/8" X3/8"	10-B1	9.3	13.7	15.0	10.4	15.2	5.6	30.0	35.0
HS-DG-BL3	3/4" X7/16"	12-B1	11.3	16.2	17.8	12.3	16.7	6.6	40.0	35.0
HS-DG-BL4	1" X17mm	16-B1	16.5	26.0	27.0	16.1	21.7	8.9	40.0	45.0
HS-DG-BL5	1 1/4" X3/4"	20-B1	19.0	29.5	31.5	19.3	27.4	11.0	50.0	50.0
HS-DG-BL6	1 1/2" X1"	24-B1	24.7	38.5	40.3	25.7	35.0	15.5	60.0	60.0
HS-DG-BL7	1 3/4" X31mm	28-B1	30.1	47.3	49.2	28.3	39.0	17.0	60.0	70.0
HS-DG-BL8	2" X31mm	32-B1	30.1	47.5	53.3	29.6	44.0	19.0	70.0	75.0

High-strength chain guide rail



Single-chain guide rail CA1 model
Standard length:2000mm

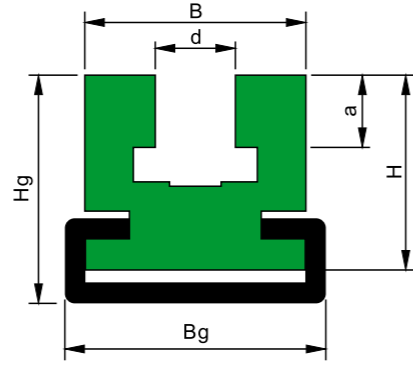
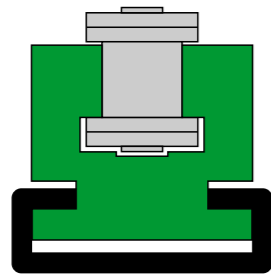
Type No.	Pitch(inch)	ISO-No.	b	e	B	Bg	H	Hg	C-sectio
HS-DG-T1C3A15	1/2" X5/16"	08-B1	7.5	2.2	20.0	20.0	15.0	18.0	C 20/10 C3
HS-DG-T2C3A15	5/8" X3/8"	10-B1	9.3	2.6	20.0	20.0	15.0	18.0	C 20/10 C3
HS-DG-T3C3A15	3/4" X7/16"	12-B1	11.3	2.6	20.0	20.0	15.0	18.0	C 20/10 C3
HS-DG-T4C5A15	1" X17mm	16-B1	16.5	4.2	24.0	28.0	15.0	19.0	C 28/12 C5
HS-DG-T5C5A15	1 1/4" X3/4"	20-B1	19.0	4.2	28.0	28.0	15.0	19.0	C 28/12 C5
HS-DG-T6C9A25	1 1/2" X1"	24-B1	24.7	5.5	33.0	38.0	25.0	30.0	C 38/18 C9
HS-DG-T7C9A25	1 3/4" X31mm	28-B1	30.1	6.8	38.0	38.0	25.0	30.0	C 38/18 C9
HS-DG-T8C9A25	2" X31mm	32-B1	30.1	7.7	38.0	38.0	25.0	30.0	C 38/18 C9



Single-chain guide rail CB model
Standard length:2000mm

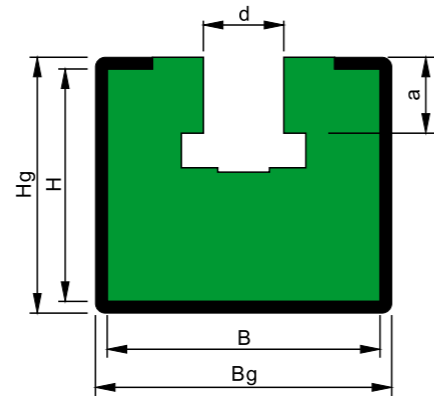
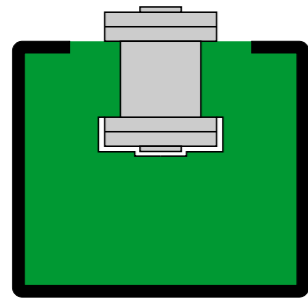
Type No.	Pitch(inch)	ISO-No.	b	e	B	Bg	H	Hg	C-sectio
HS-DG-CU0	1/2" X5/16"	08-B1	12.7	3.5	20.0	20.0	10.0	15.0	C 20/10 C3
HS-DG-CU1	5/8" X3/8"	10-B1	15.2	3.5	24.0	28.0	12.0	19.0	C 28/12 C5
HS-DG-CU2	3/4" X7/16"	12-B1	16.7	3.9	24.0	28.0	12.0	19.0	C 28/12 C5
HS-DG-CU3	3/4" X7/16"	16-B1	21.7	8.4	33.0	38.0	20.0	24.0	C 38/18 C9

High-strength chain guide rail



Single-chain guide rail CC model
Standard length:2000mm

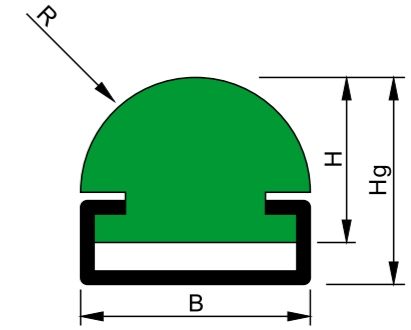
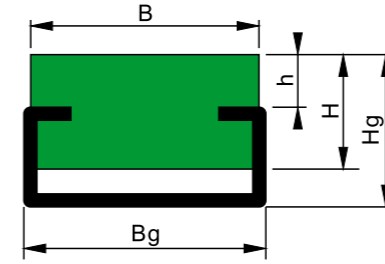
Type No.	Pitch(inch)	ISO-No.	a	d	B	Bg	H	Hg	C-sectio
HS-DG-BL0 C3	3/8" X7/32"	06-B1	5.5	6.6	17.0	20.0	19.0	21.0	C 20/10 C3
HS-DG-BL1 C5	1/2" X5/16"	08-B1	7.5	8.7	24.0	28.0	26.0	29.0	C 28/12 C3
HS-DG-BL2 C5	5/8" X3/8"	10-B1	9.3	10.4	24.0	28.0	26.0	29.0	C 28/12 C3
HS-DG-BL3 C9	3/4" X7/16"	12-B1	11.3	12.3	32.0	38.0	38.0	42.0	C 38/18 C5
HS-DG-BL4 C9	1" X17mm	16-B1	16.5	16.1	40.0	40.0	46.0	50.0	C 38/18 C5



Single-chain guide rail CCG model
Standard length:2000mm

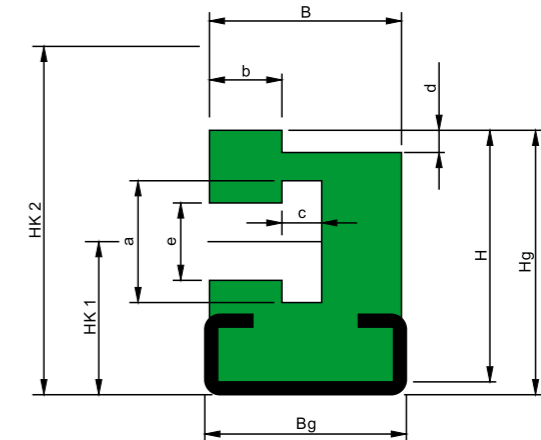
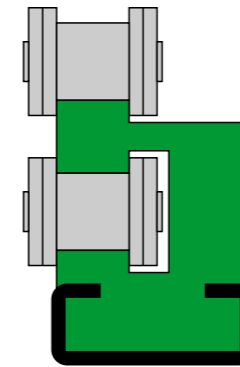
Type No.	Pitch(inch)	ISO-No.	a	d	B	Bg	H	Hg	C-sectio
HS-DG-C10.0	3/8" X7/32"	06-B1	5.5	6.6	26.0	30.0	22.0	24.0	C 30/24 C10
HS-DG-C10.1	1/2" X5/16"	08-B1	7.3	8.7	26.0	30.0	22.0	24.0	C 30/24 C10
HS-DG-C10.2	5/8" X3/8"	10-B1	9.3	10.4	26.0	30.0	22.0	24.0	C 30/24 C10
HS-DG-C10.3	3/4" X7/16"	12-B1	11.3	12.3	26.0	30.0	22.0	24.0	C 30/24 C10
HS-DG-C11.4	1" X17mm	16-B1	16.5	16.1	40.0	45.0	37.5	40.0	C 45/40 C11
HS-DG-C11.5	1 1/4" X3/4"	20-B1	19.0	19.3	40.0	45.0	37.5	40.0	C 45/40 C11

High-strength chain guide rail



B	Bg	H	Hg	h	C-section
20.0	20.0	10.0	14.0	4.0	C 20/10 C3
24.0	24.0	6.0	8.0	2.8	C 24/5 C1
28.0	28.0	15.0	18.0	6.0	C 28/12 C5
38.0	38.0	12.0	22.0	4.0	C 38/18 C9

R	B	H	Hg	C-section
12.0	20.0	17.0	20.0	C 20/10 C3



Single-chain guide rail CC model
Standard length:2000mm

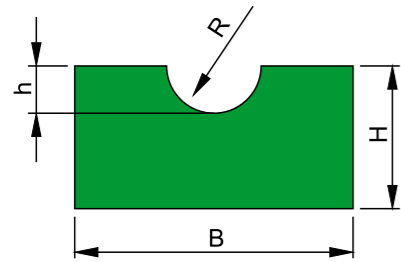
Type No.	Pitch(inch)	ISO-No.	a	b	c	d	e	B/Bg	H	Hg	HK 1	HK 2	C-section
HS-DG-Combi 0	3/8" X7/32"	06-B1	9.5	5.5	4.6	1.5	6.6	20.0	24.4	26.9	17.0	30.2	C 20/10 C3
HS-DG-Combi 1	1/2" X5/16"	08-B1	13.0	7.5	5.4	2.2	8.6	20.0	26.9	29.4	18.0	33.8	C 20/10 C3
HS-DG-Combi 2	5/8" X3/8"	10-B1	15.5	9.3	5.6	2.6	10.4	20.0	33.8	36.2	21.0	41.4	C 20/10 C3
HS-DG-Combi 3	3/4" X7/16"	12-B1	17.0	11.3	6.4	2.6	12.2	28.0	37.3	40.3	24.0	46.5	C 28/12 C5
HS-DG-Combi 4	1" X17mm	16-B1	22.0	16.5	10.5	4.2	16.0	38.0	50.5	54.0	34.0	62.0	C 38/18 C9

The length of all guide rails can be selected arbitrarily.
The longest is 6m. Consultations should be made for special colors and sizes.

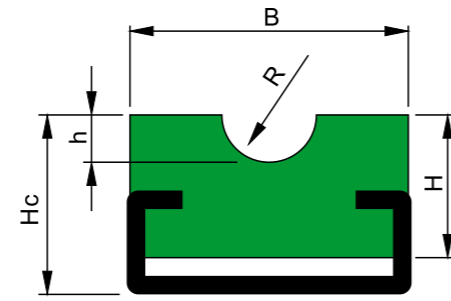
C-sectio

High-strength chain guide rail

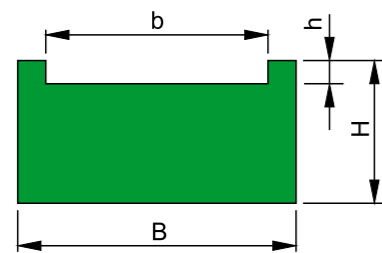
Belt guide rail



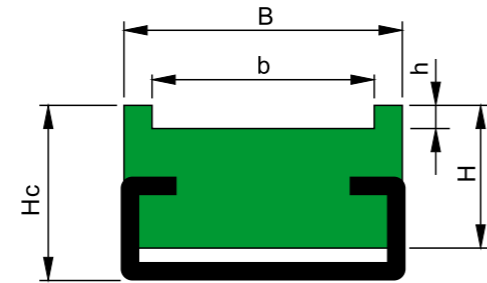
Round belt guide rail



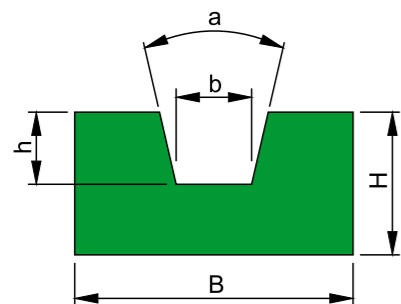
Round belt guide rail with C-shaped device



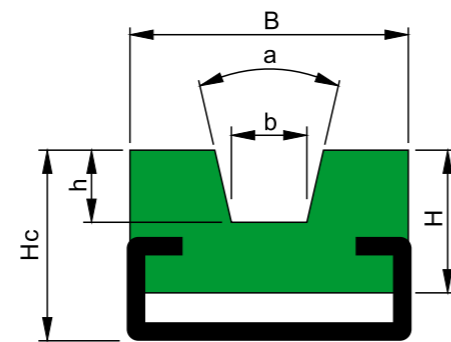
Flat belt guide rail



Flat belt guide rail with C-shaped device



Triangle belt guide rail



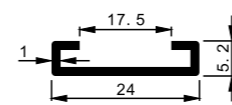
Triangle belt guide rail with C-shaped device

High-strength chain guide rail

**C-shaped iron
Galvanized iron/stainless steel**

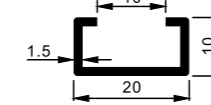
Type No.	No.	kg/m
HS-DG-C1	C24/5	0.28
HS-DG-C3	C20/10	0.48
HS-DG-C5	C28/12	0.85
HS-DG-C9	C38/18	1.50
HS-DG-C10	C30/24	0.94
HS-DG-C11	C45/40	2.00
HS-DG-C12	C60/20	2.18

NO. C24/5



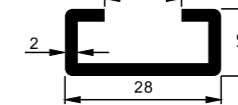
HS-DG-C1

NO. C20/10



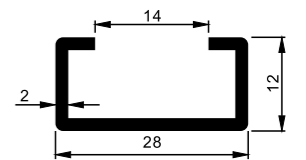
HS-DG-C3

NO. C28/12



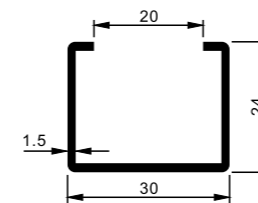
HS-DG-C5

NO. C38/18



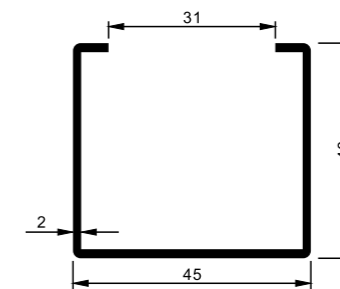
HS-DG-C9

NO. C30/24



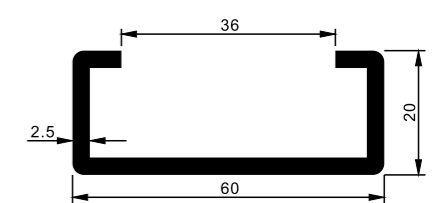
HS-DG-C10

NO. C45/40



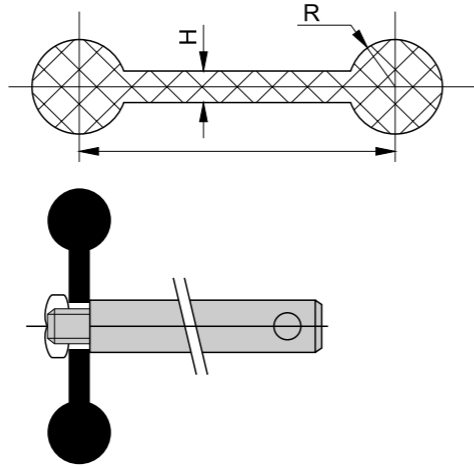
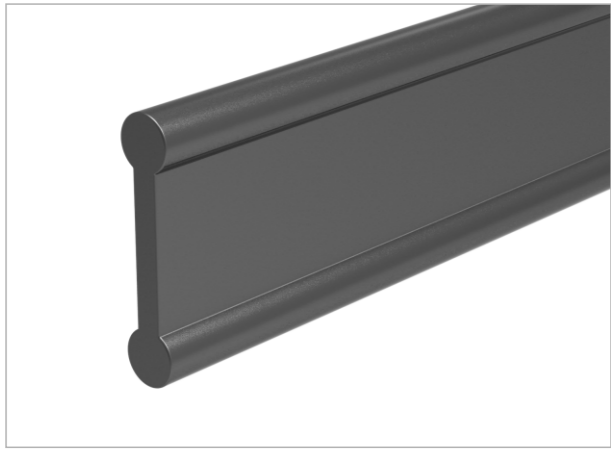
HS-DG-C11

NO. C60/20

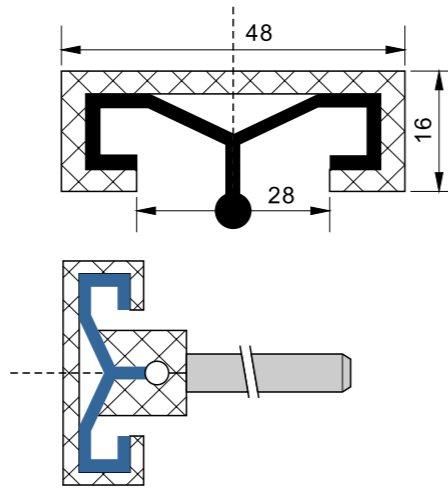
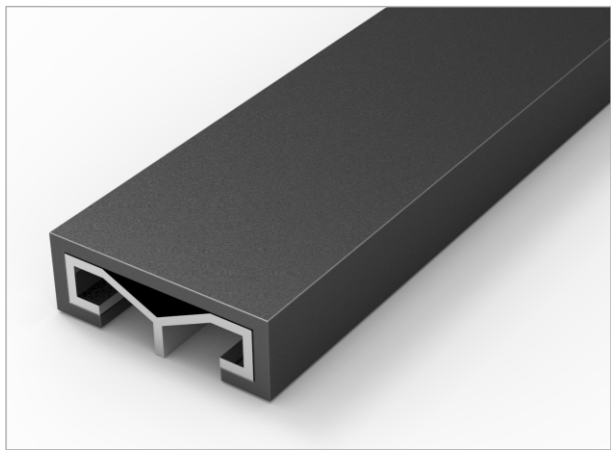


HS-DG-C12

Guardrail

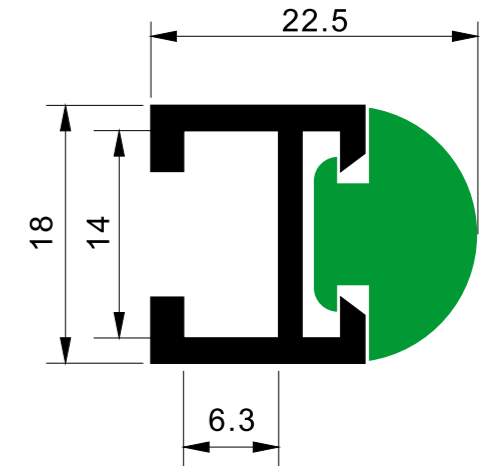


Type	Chain Type	Center for Distance mm	Radius of the ball mm	Thickness mm	Material	Colour
Dumbbell guardrail	HS-G3A	64	8	6	700,000 molecular weight ultrahigh polyethylene	Black
	HS-G3B	86	9	6		

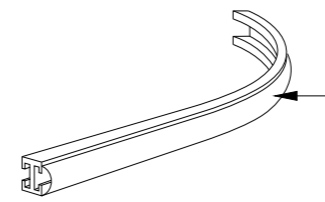


Type	Chain Type	Material	Colour
Parallel guardrail	HS-G4	700,000 molecular weight ultrahigh polyethylene	Black

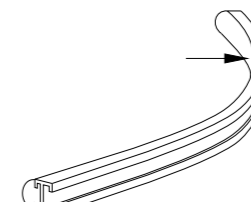
Guardrail



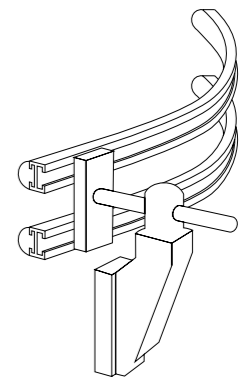
Type	Chain Type	Material	Colour
Round guardrail	HS-G6	700,000 molecular weight ultrahigh polyethylene	Green



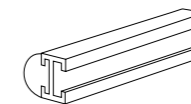
Minimum bending radius: R min 110
Internal bending



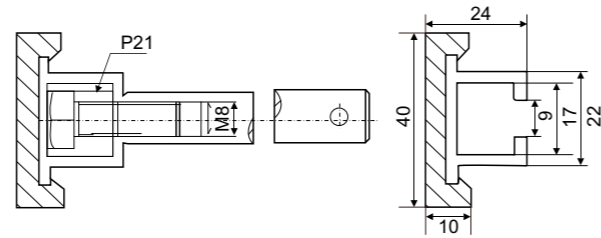
Minimum bending radius: R min 95
External bending



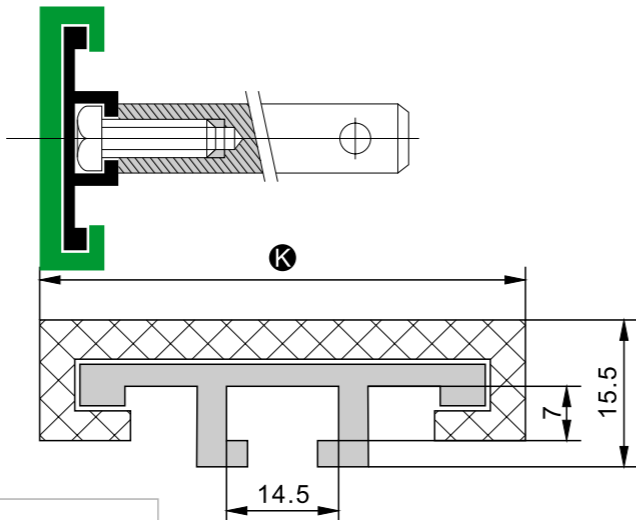
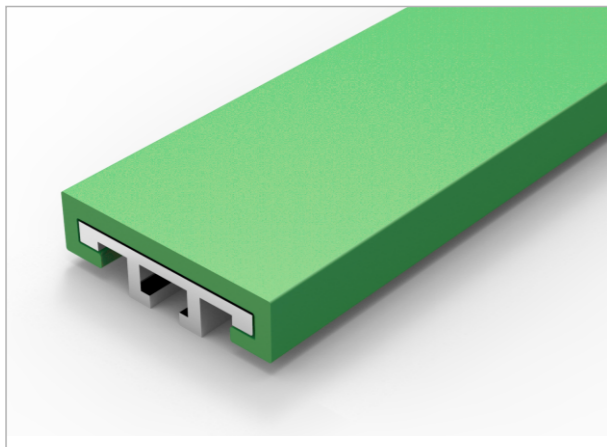
M8 outer hexagon bolt



Guardrail

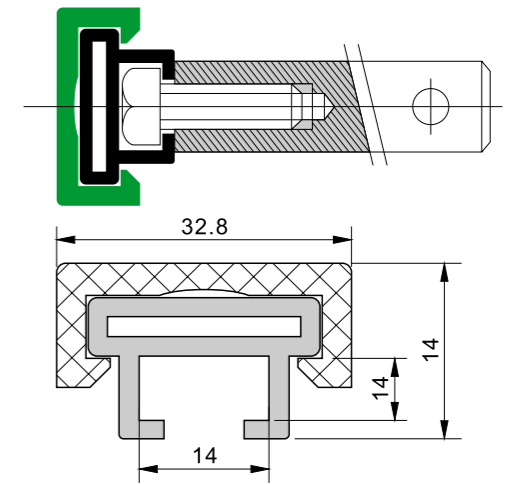


Type	Chain Type	Material	Colour
Guardrail	HS-G5	700,000 molecular weight ultrahigh polyethylene	Green

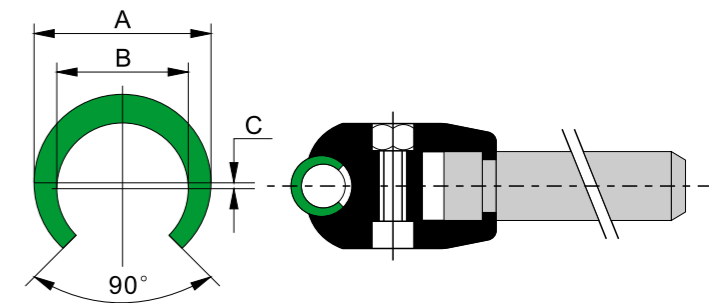


Type	Chain Type	Width(mm)	Material	Colour
Large C guardrail	HS-G7-60	60	700,000 molecular weight ultrahigh polyethylene	Green
	HS-G7-100	100		Black

Guardrail

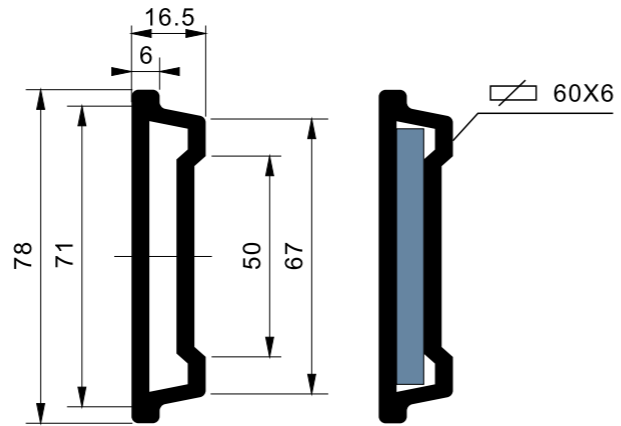
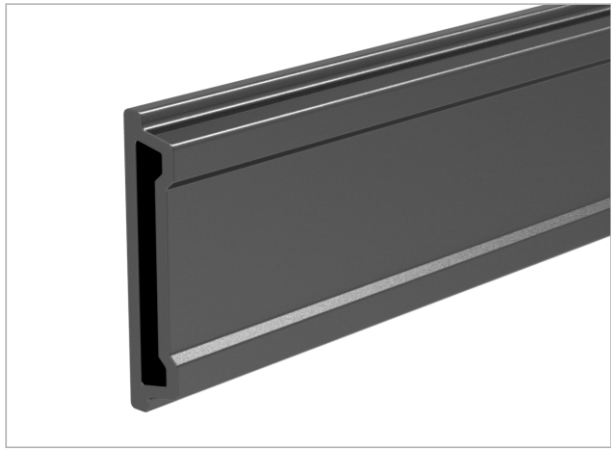


Type	Chain Type	Material	Colour
Parallel guardrail	HS-G8	700,000 molecular weight ultrahigh polyethylene	Green

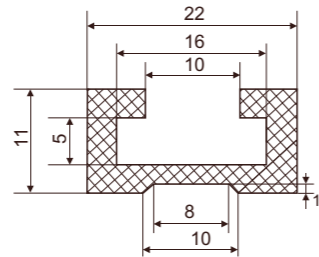


Type	Chain Type	A	B	C	Material	Colour
Small C guardrail	HS-G60A	12	8	0.5	700,000 molecular weight ultrahigh polyethylene	Green Black
	HS-G60B	14	10	0.5		
	HS-G60C	16	12	1.0		
	HS-G60D	20	26	1.5		

Guardrail

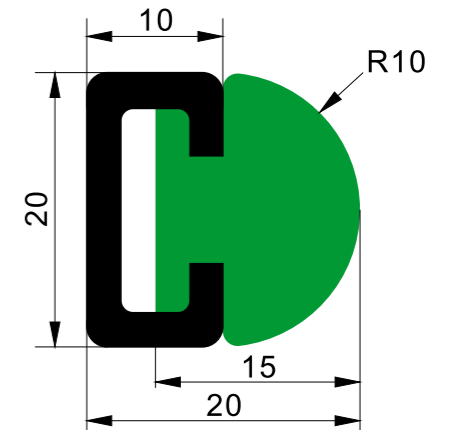
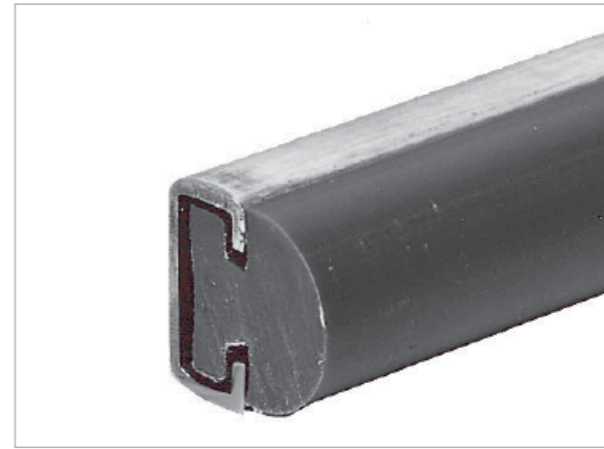


Type	Chain Type	Material	Colour
Medium-sized guardrail	HS-A191	700,000 molecular weight ultrahigh polyethylene	Black

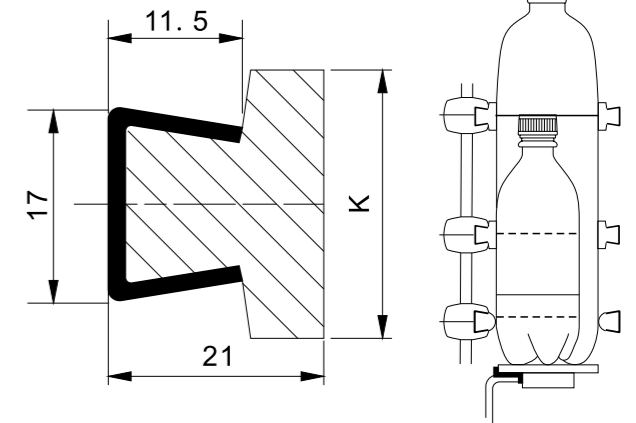
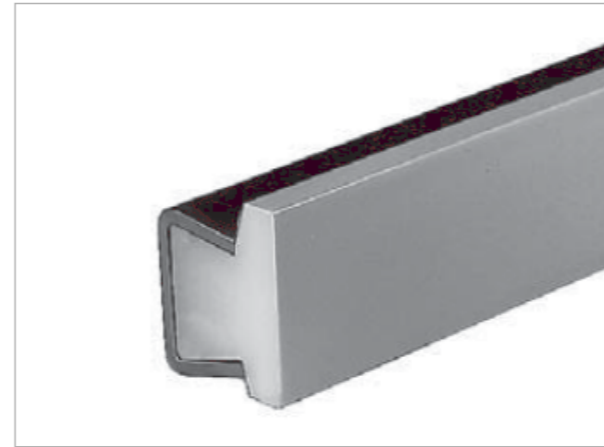


Type	Chain Type	Material	Colour
Guardrail	HS-G14	700,000 molecular weight ultrahigh polyethylene	Green

Guardrail

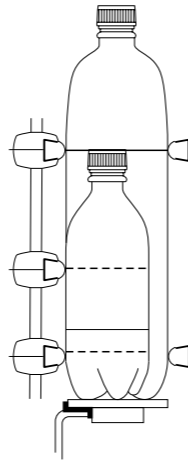
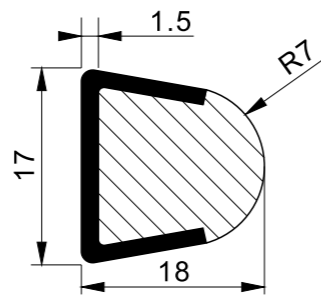
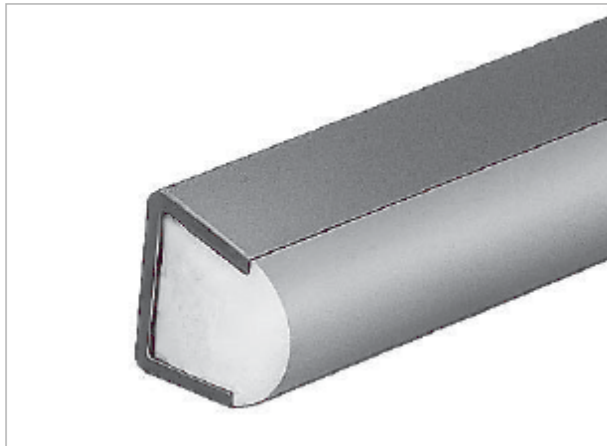


Type	Chain Type	Material	Colour	Kg
Guardrail	HS-G3-70	700,000 molecular weight ultrahigh polyethylene	Green	1.93
	HS-G3-350	3500,000 molecular weight ultrahigh polyethylene		

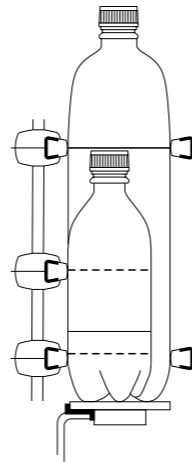
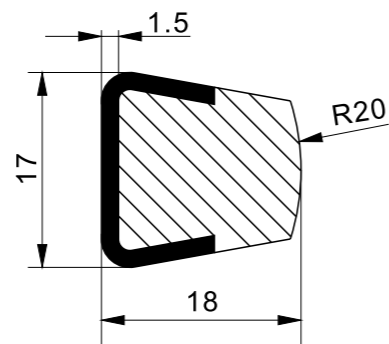


Type	Chain Type	Width	Material	Colour
Ceiling guardrail	HS-G59A-25	25	700,000 molecular weight ultrahigh polyethylene	White
	HS-G59A-31.8	31.8		
	HS-G59A-40	40		
	HS-G59B-25	25	3500,000 molecular weight ultrahigh polyethylene	
	HS-G59B-31.8	31.8		
	HS-G59B-40	40		

Guardrail

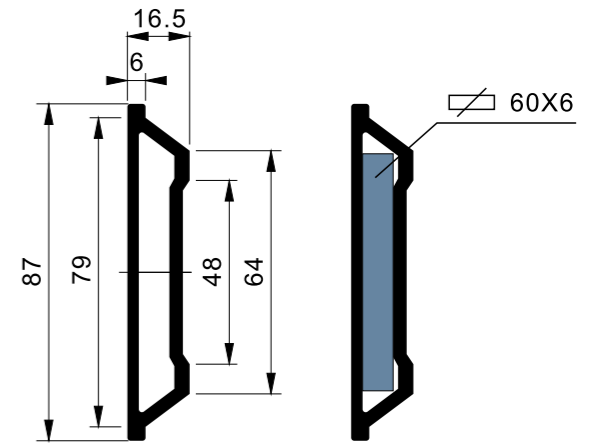


Type	Chain Type	Material	Colour
Round cap guardrail	HS-G58A	700,000 molecular weight ultrahigh polyethylene	White
	HS-G58B	3500,000 molecular weight ultrahigh polyethylene	

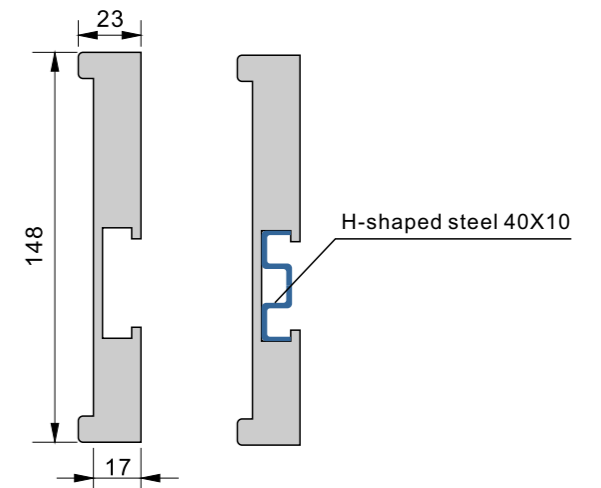
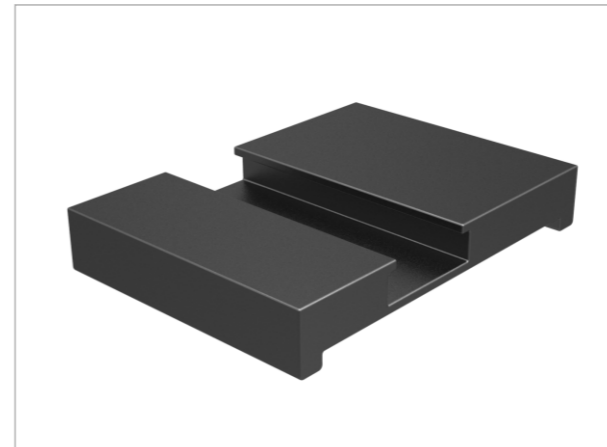


Type	Chain Type	Material	Colour
Round cap guardrail	HS-G56A	700,000 molecular weight ultrahigh polyethylene	White
	HS-G56B	3500,000 molecular weight ultrahigh polyethylene	

Guardrail

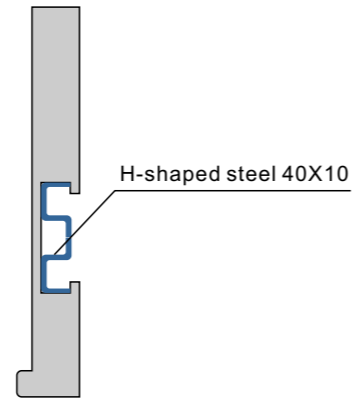
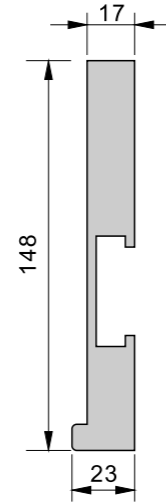
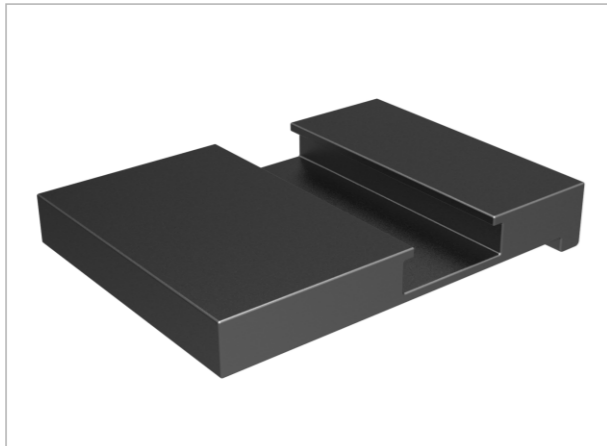


Type	Chain Type	Material	Colour
Medium-sized guardrail	HS-G26	700,000 molecular weight ultrahigh polyethylene	Black

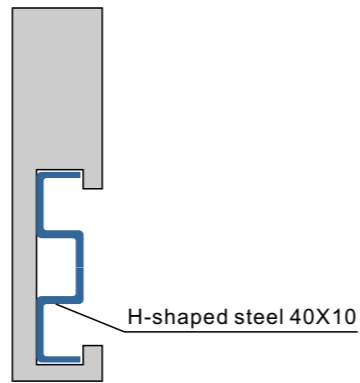
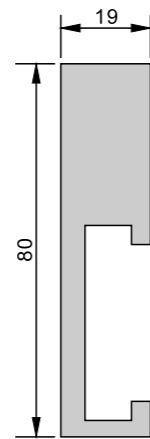
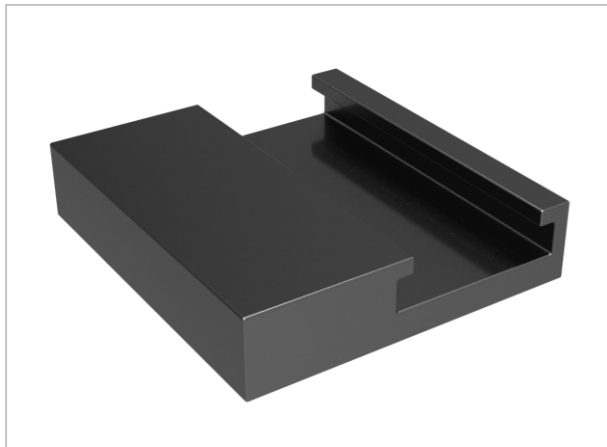


Type	Chain Type	Material	Colour
Large guardrail	HS-G28	700,000 molecular weight ultrahigh polyethylene	Black

Guardrail

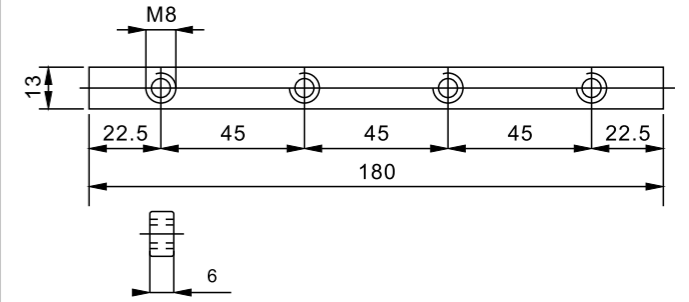


Type	Chain Type	Material	Colour
Large guardrail	HS-G30	700,000 molecular weight ultrahigh polyethylene	Black

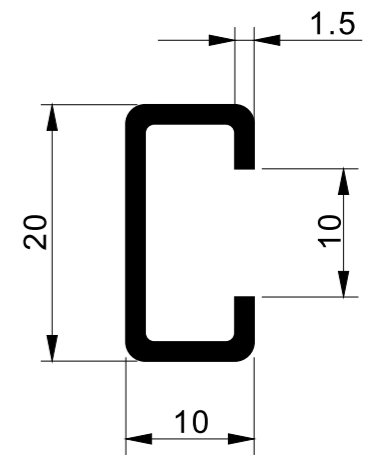
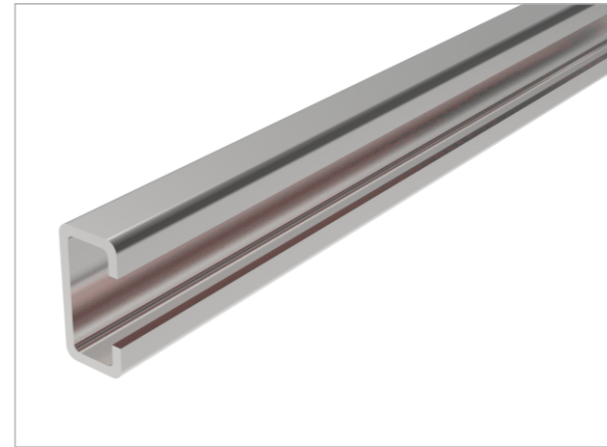
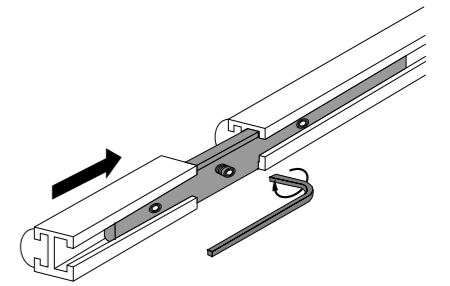


Type	Chain Type	Material	Colour
Medium-sized guardrail	HS-G32	700,000 molecular weight ultrahigh polyethylene	Black

Guardrail

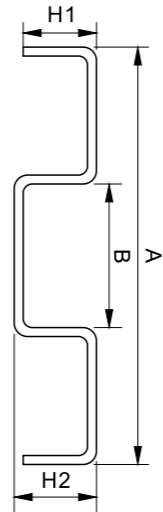
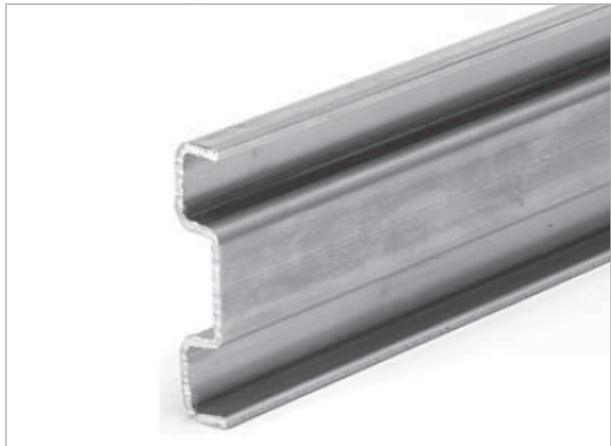


Type	Chain Type	Material
Connecting rod	HS-P6	304 stainless steel

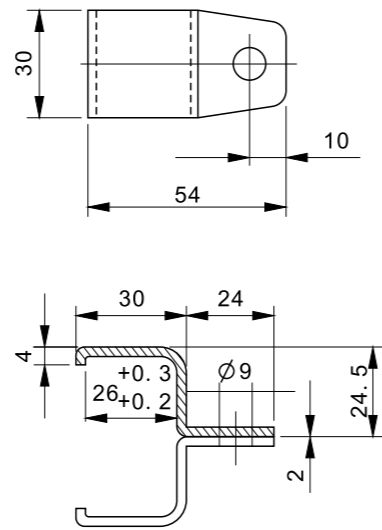


Type	Chain Type	Material	Kg
C-shaped steel	HS-G5	304 stainless steel	1.42

Guardrail

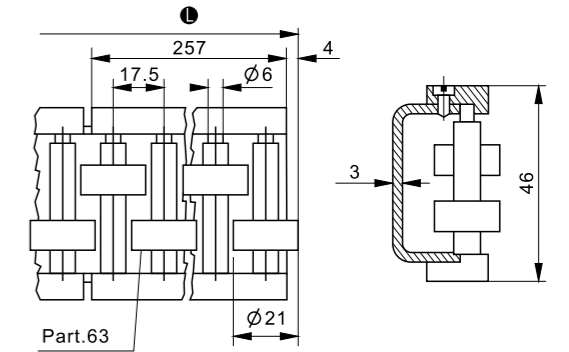
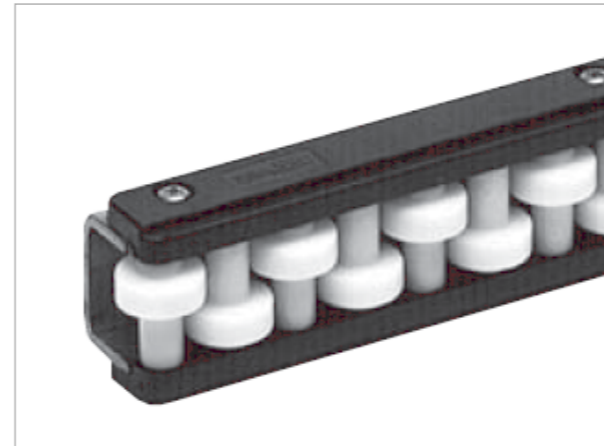


Type	Chain Type	Width A mm	Width B mm	Thickness H1 mm	Thickness H2 mm	Material
H-shaped steel	HS-G40A	40	14	7.5	8	304 stainless steel
	HS-G40A	40	14	9.5	10	

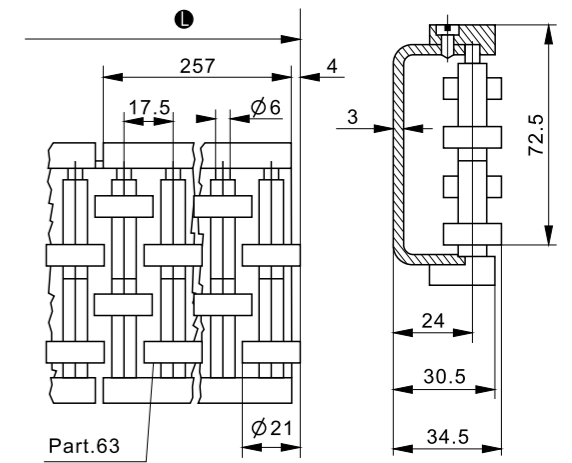


Type	Chain Type	Material
Roller Guide rail clamp	HS-P9	304 stainless steel

Guardrail

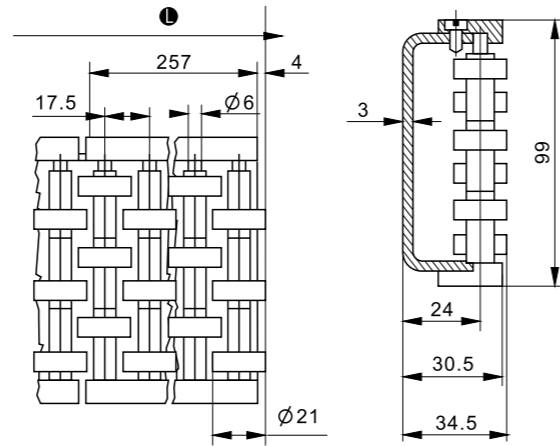


Type	Chain Type	Length mm
straight roller guardrail	HS-G9	1041/2085/3129

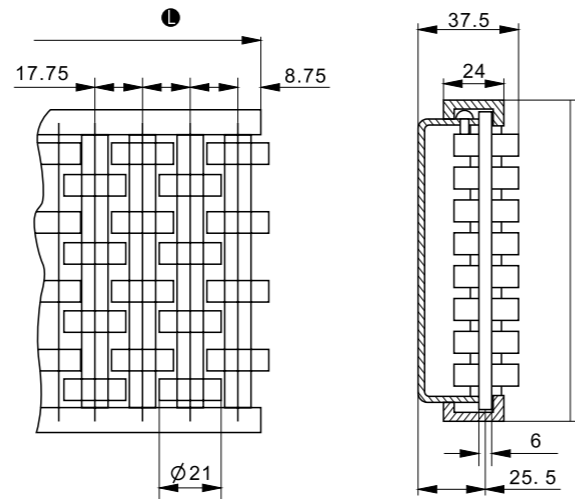
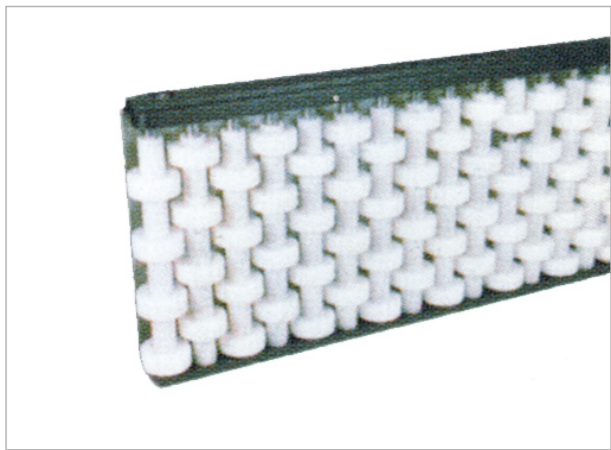


Type	Chain Type	Length mm
straight roller guardrail	HS-G10	1041/2085/3129

Guardrail

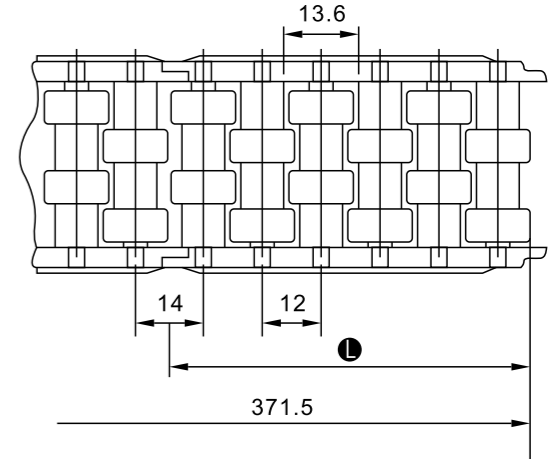


Type	Chain Type	Length ● mm
straight roller guardrail	HS-G11	1041/2085/3129

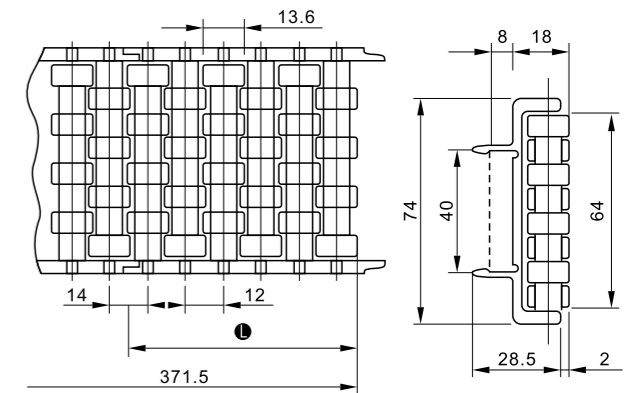
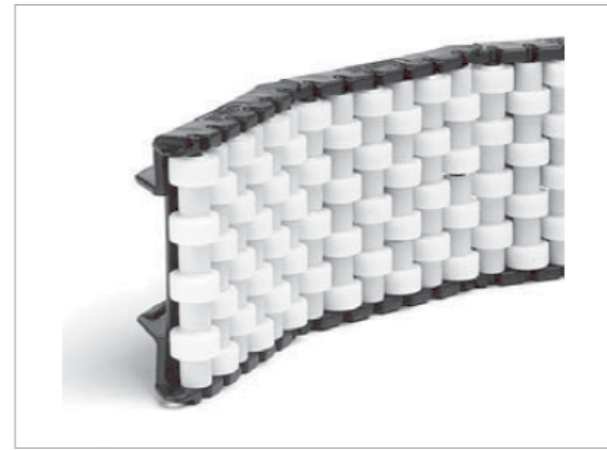
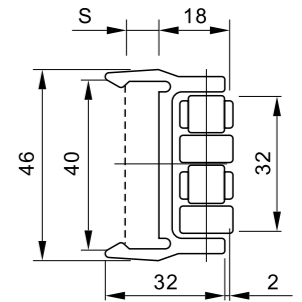


Type	Chain Type	Length ● mm
straight roller guardrail	HS-G12	1041/2085/3129

Guardrail

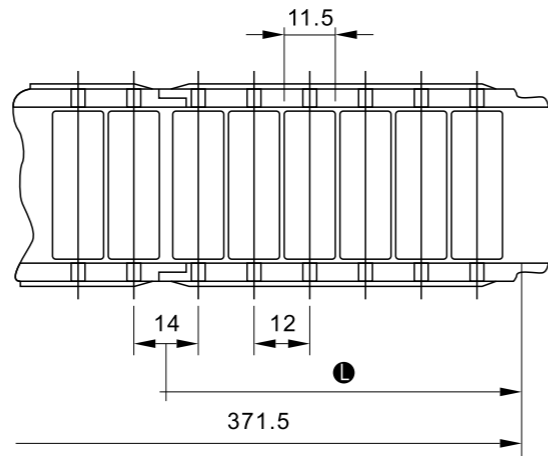


Type	Chain Type	Length ● mm
Turning roller guardrail	HS-S9	84

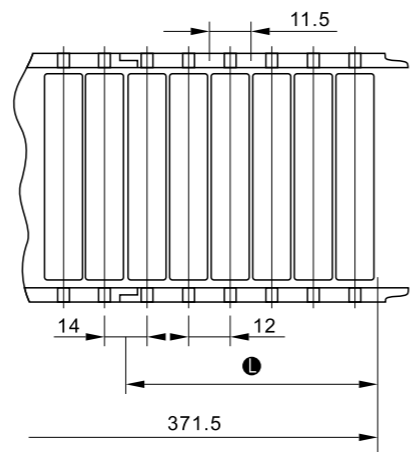
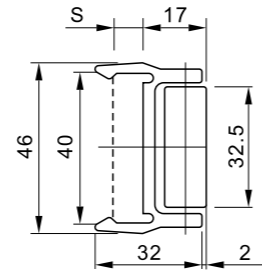


Type	Chain Type	Length ● mm
Turning roller guardrail	HS-S10	84

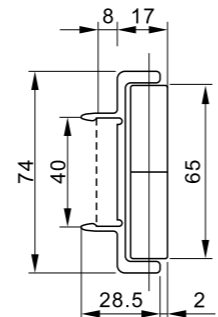
Guardrail



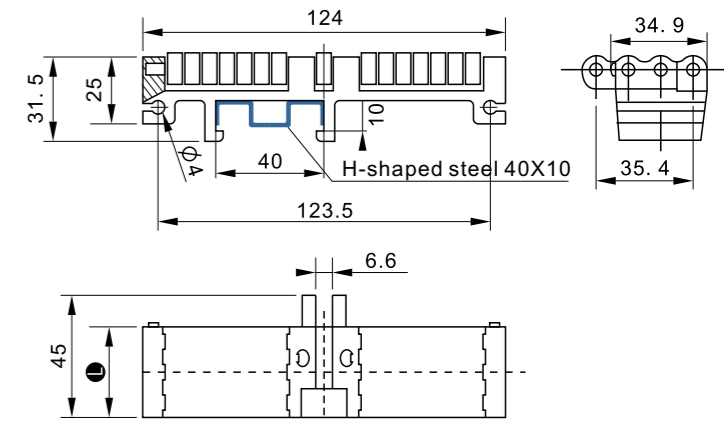
Type	Chain Type	Length ● mm
Turning roller guardrail	HS-S11	84



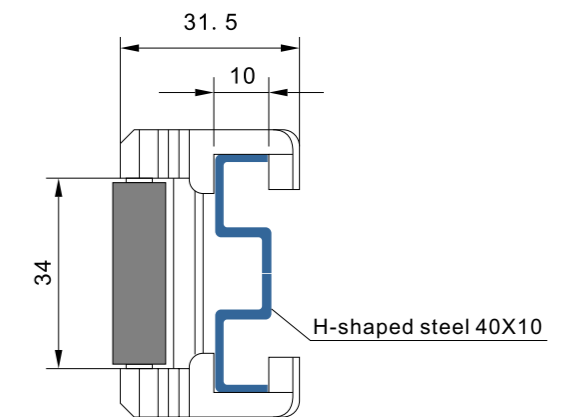
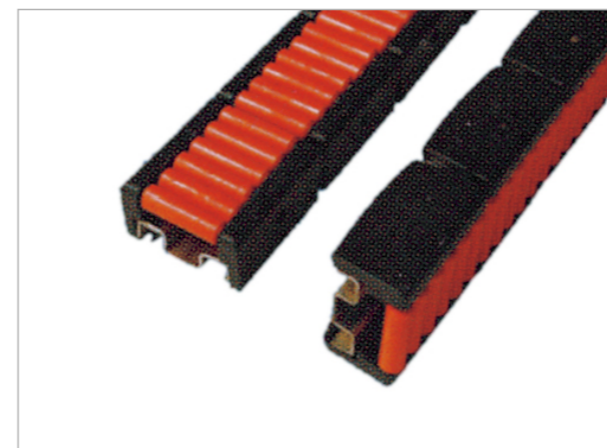
Type	Chain Type	Length ● mm
Turning roller guardrail	HS-S12	84



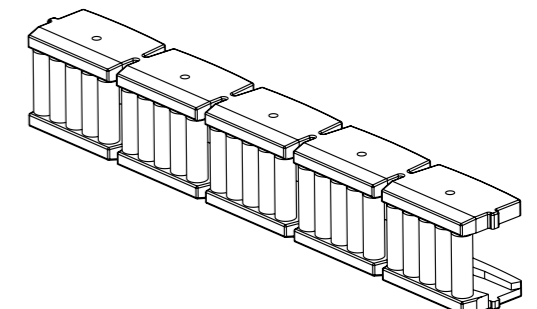
Guardrail



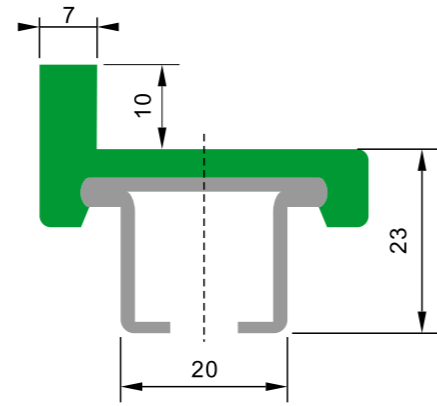
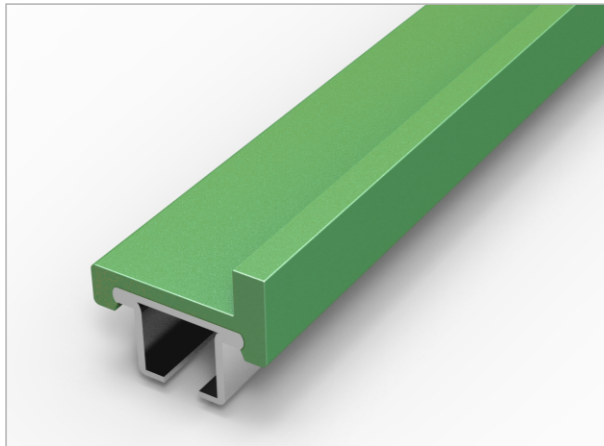
Type	Chain Type	Length ● mm
Turning roller guardrail	HS-G82	33



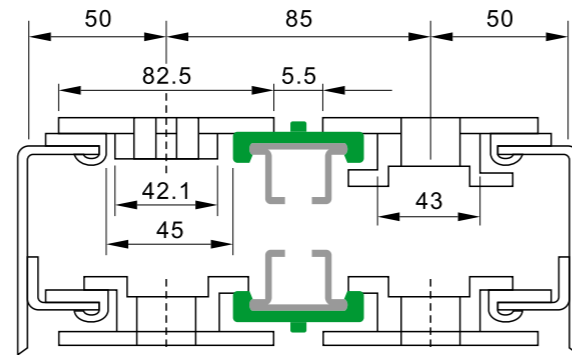
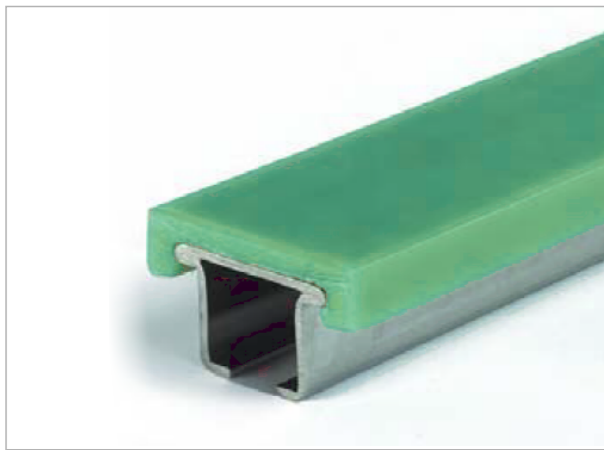
Type	Chain Type	Length ● mm
Turning roller guardrail	HS-G80	290



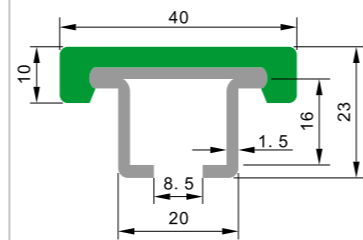
Cushion rail



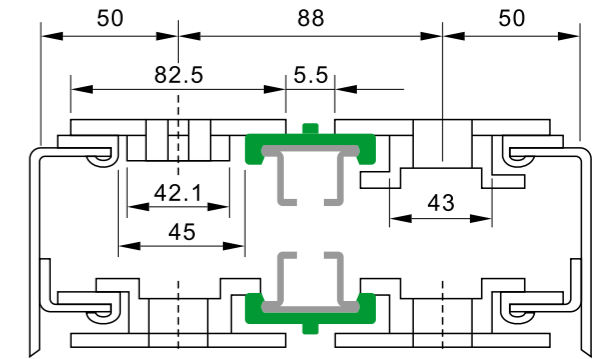
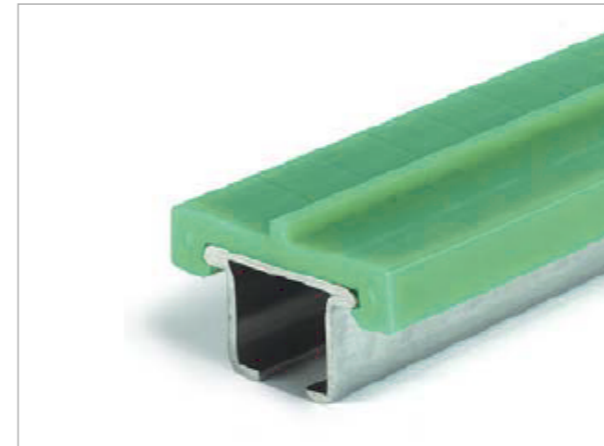
Type	Chain Type	Material	Colour
Side parallel cushion rail	HS-G18A	700,000 molecular weight ultrahigh polyethylene	Green
	HS-G18B	3500,000 molecular weight ultrahigh polyethylene	



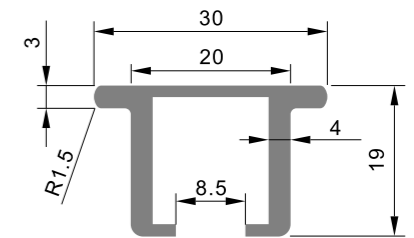
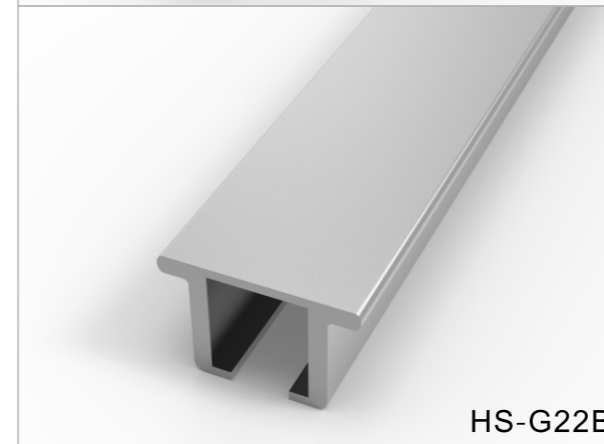
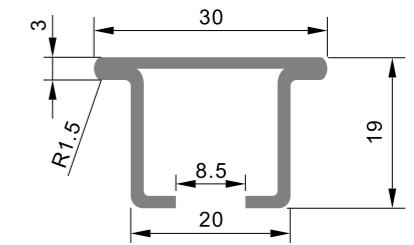
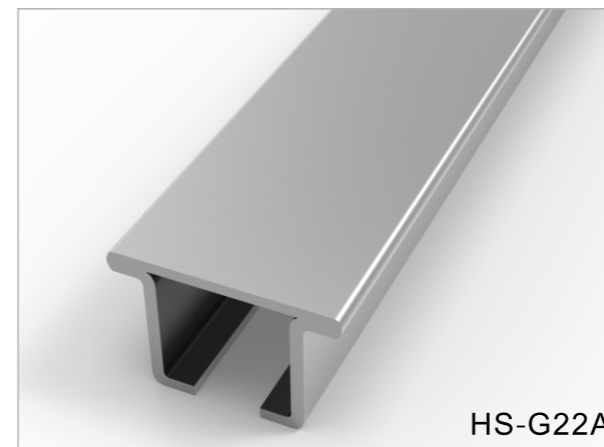
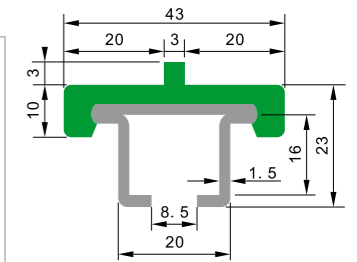
Type	Chain Type	Material	Colour
Flat parallel cushion rail	HS-G19A	700,000 molecular weight ultrahigh polyethylene +304 stainless steel	Green
	HS-G19B	3500,000 molecular weight ultrahigh polyethylene +304 stainless steel	
	HS-G19C	700,000 molecular weight ultrahigh polyethylene +Aluminum alloy	



Cushion rail

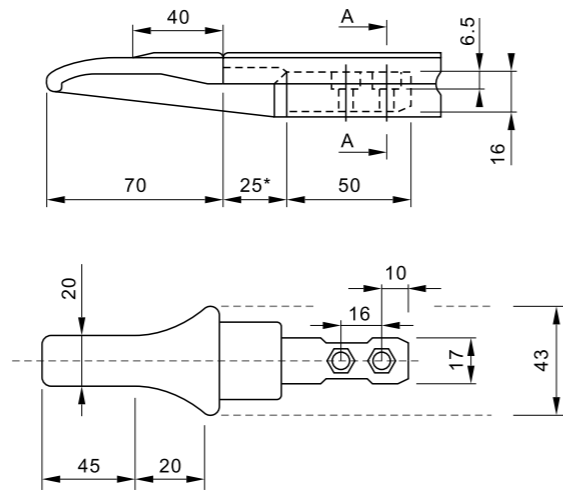


Type	Chain Type	Material	Colour
Double-track parallel cushion rail	HS-G20A	700,000 molecular weight ultrahigh polyethylene	Green
	HS-G20B	3500,000 molecular weight ultrahigh polyethylene	

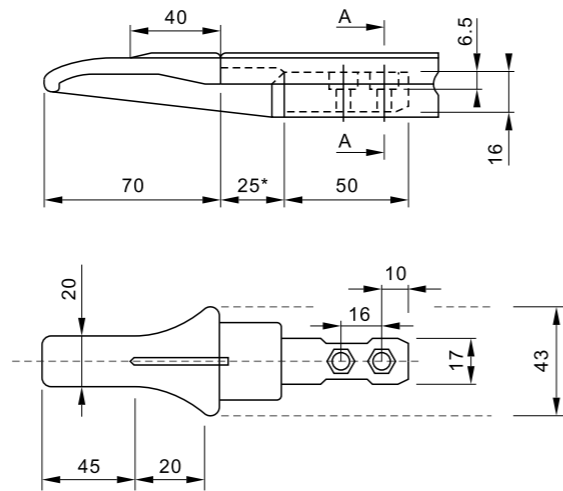


Type	Chain Type	Material	Colour
Parallel cushion rail skeleton	HS-G22A	304 stainless steel	Silvery
	HS-G22B	Aluminum alloy	

Cushion rail

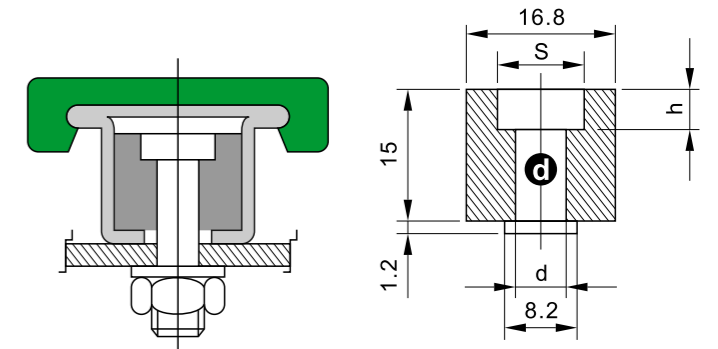


Type	Chain Type	Material	Colour
Flat bar joint	HS-P19	Plastic steel	Black

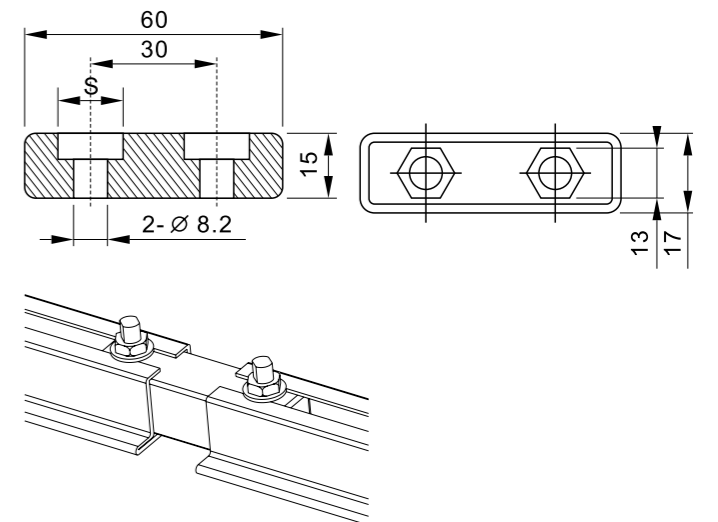
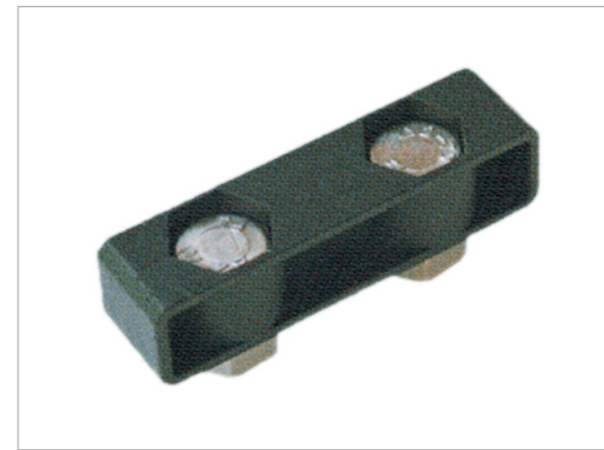


Type	Chain Type	Material	Colour
Flat bar joint	HS-P20	Plastic steel	Black

Cushion rail

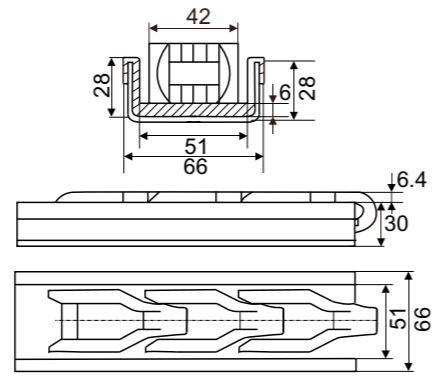


Type	Chain Type	Screw bolt (S)	Material	Colour
Single fixed joint	HS-P21A	M6(304 stainless steel)	Nylon	Black
	HS-P21B	M8(304 stainless steel)		



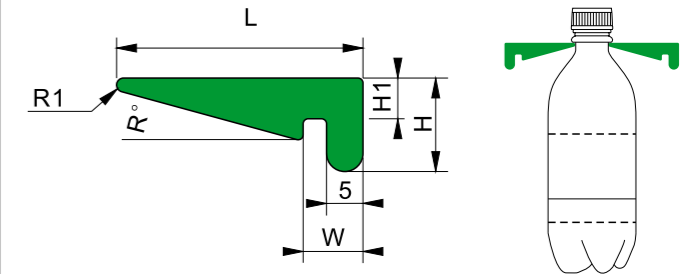
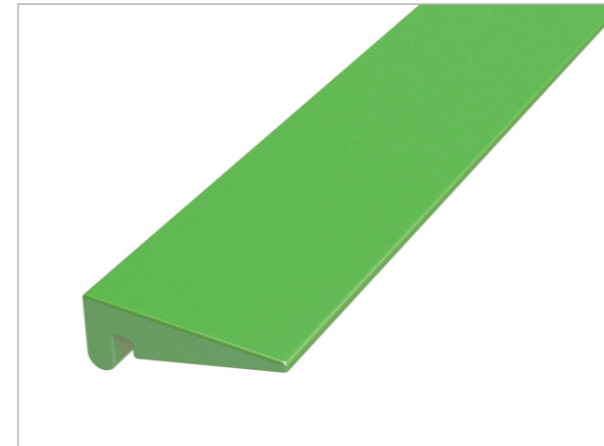
Type	Chain Type	Screw bolt (S)	Material	Colour
Double fixed joints	HS-P22A	M8(304 stainless steel)	Nylon	Black

Cushion rail



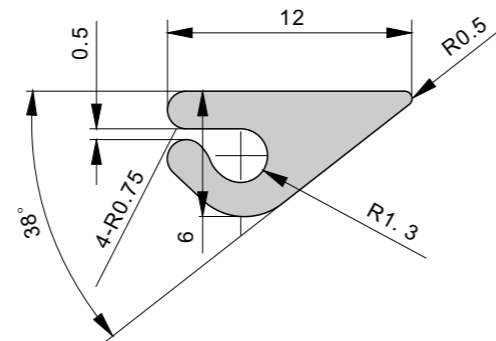
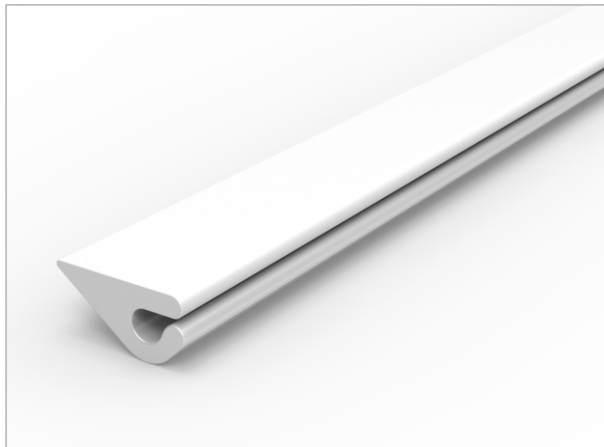
Type	Chain Type	Material	Colour
Case chain straight cushion rail	HS-2600-O	700,000 molecular weight ultrahigh polyethylene	Green

Bottle-hanging strip

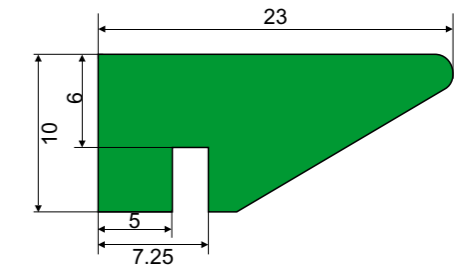
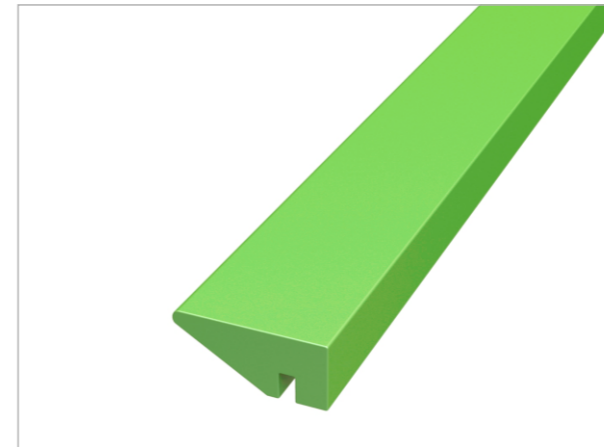


Type	Chain Type	L mm	H mm	H1 mm	W mm	R° Angle	Material	Colour
Bottle-hanging strip	HS-G53A	32	8	5	8	15°	700,000 molecular weight ultrahigh polyethylene	Green
	HS-G53B	32	8	5	8	15°	9000,000 molecular weight ultrahigh polyethylene	
	HS-G53C	32	8	5	8	15°	12000,000 molecular weight ultrahigh polyethylene	Grey blue
	HS-G53D	23	19	6	7.2	30°	12000,000 molecular weight ultrahigh polyethylene	

Bottle-hanging strip

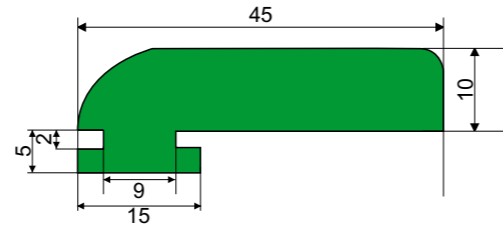
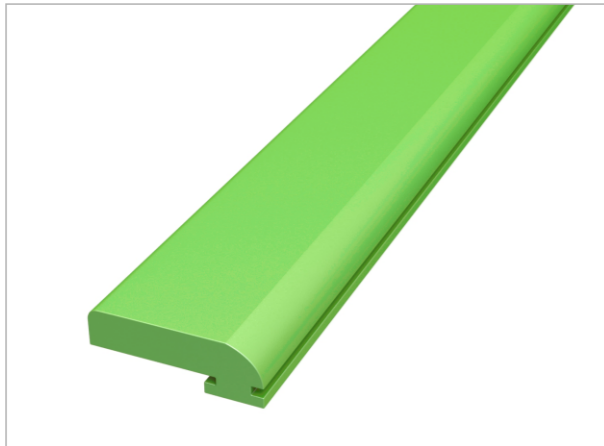


Type	Chain Type	Material	Colour
Bottle-hanging strip	HS-G55	700,000 molecular weight ultrahigh polyethylene	Gray

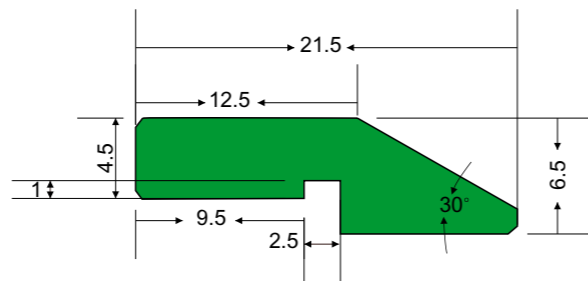


Type	Chain Type	Material	Colour
Bottle-hanging strip	HS-Ex101	700,000 molecular weight ultrahigh polyethylene	Green

Bottle-hanging strip

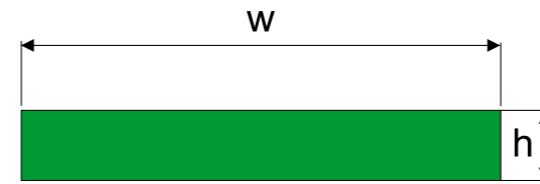


Type	Chain Type	Material	Colour
Bottle-hanging strip	HS-Ex102	700,000 molecular weight ultrahigh polyethylene	Green



Type	Chain Type	Material	Colour
Bottle-hanging strip	HS-Ex103	700,000 molecular weight ultrahigh polyethylene	White

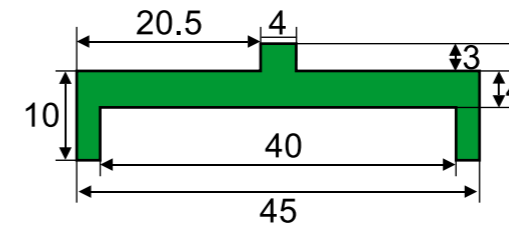
Heteroideus wearing strip



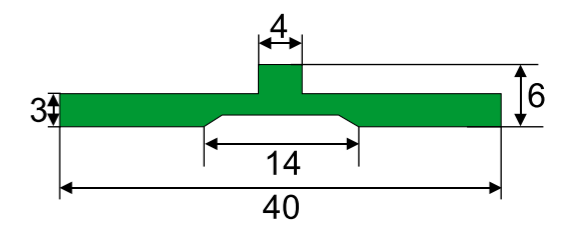
Type	PB10	PB11	PB12	PB13	PB14	PB15	PB16	PB17	PB18	PB19
w	55	20	35	70	90	140	42	50	50	50
h	8	4	6	5	6	4	3	5	4	3

Type	PB20	PB21	PB22	PB23	PB24	PB25	PB26	PB27	PB28	PB29
w	45	40	70	15	20	50	33	41	112	79
h	3	4	8	6	6	20	10	10	10	10

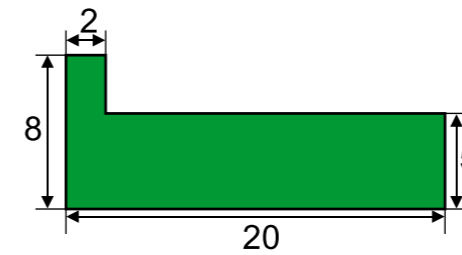
Ex10



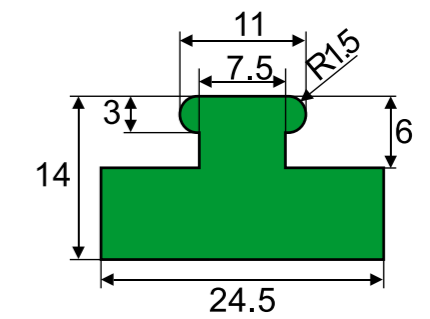
Ex11



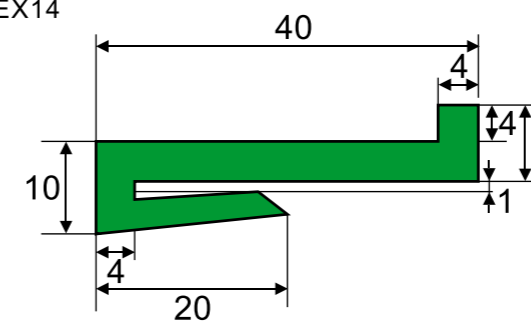
Ex12



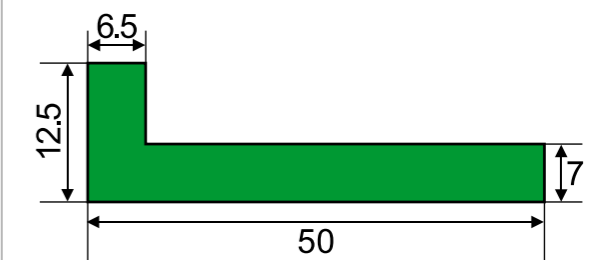
Ex13



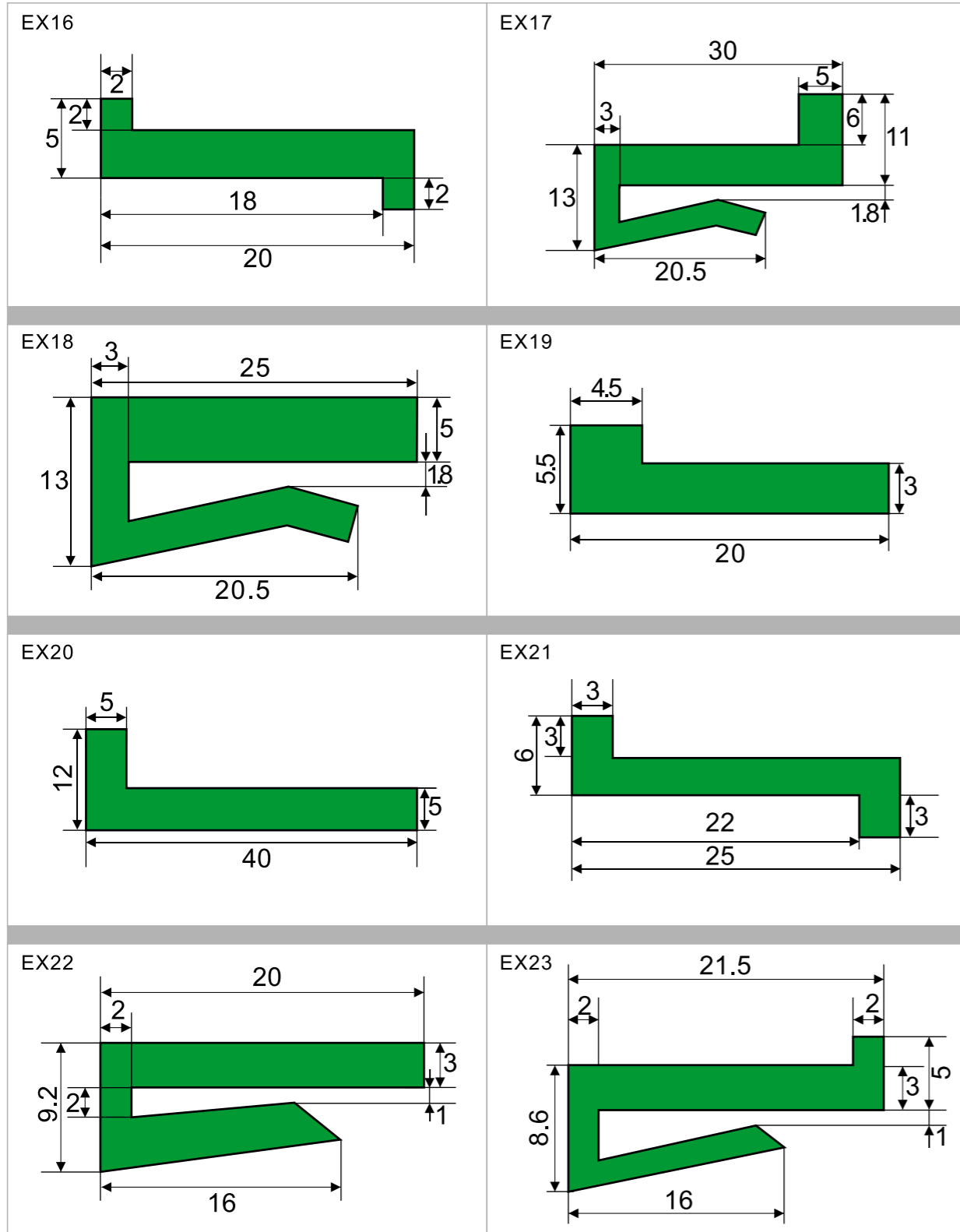
EX14



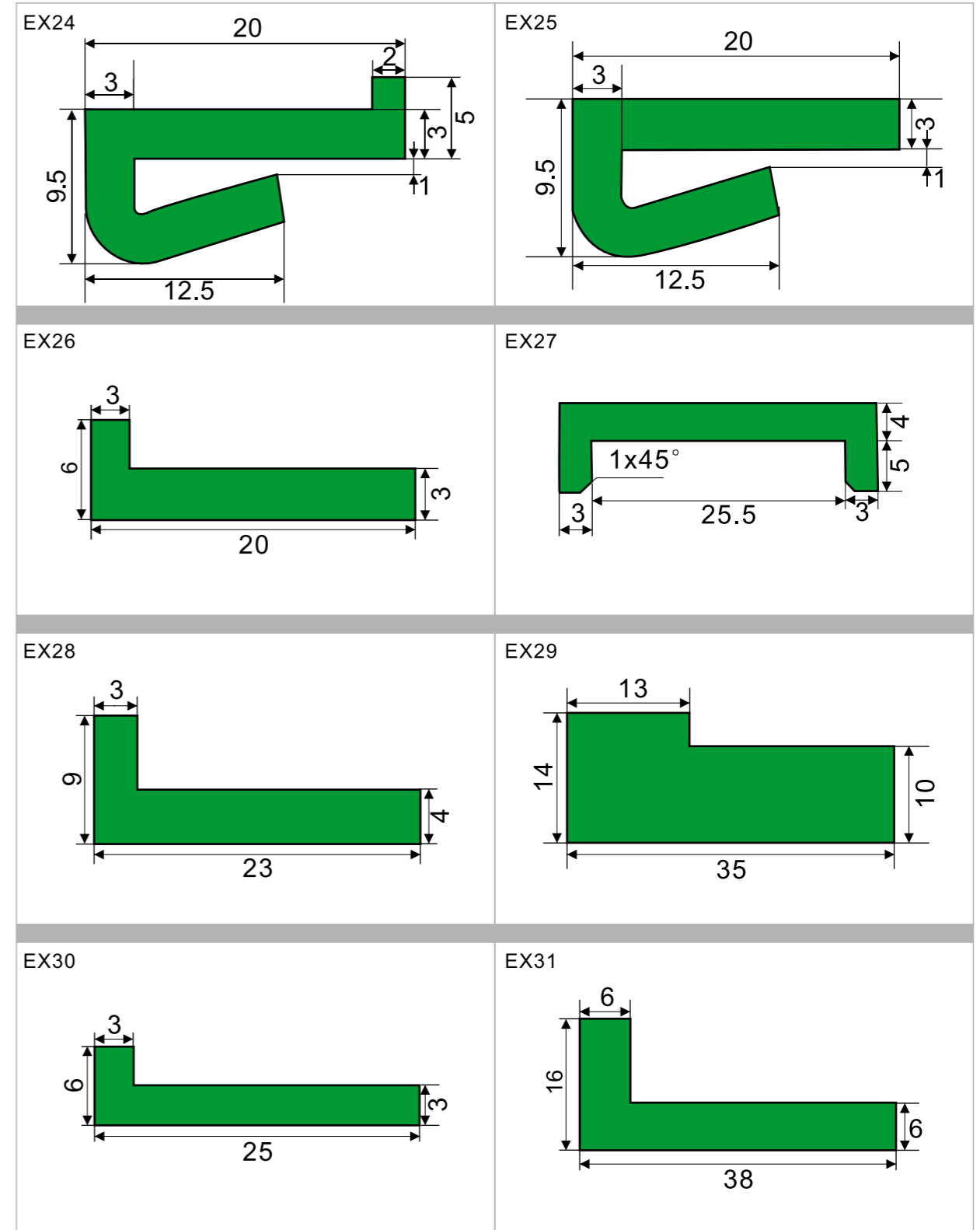
EX15



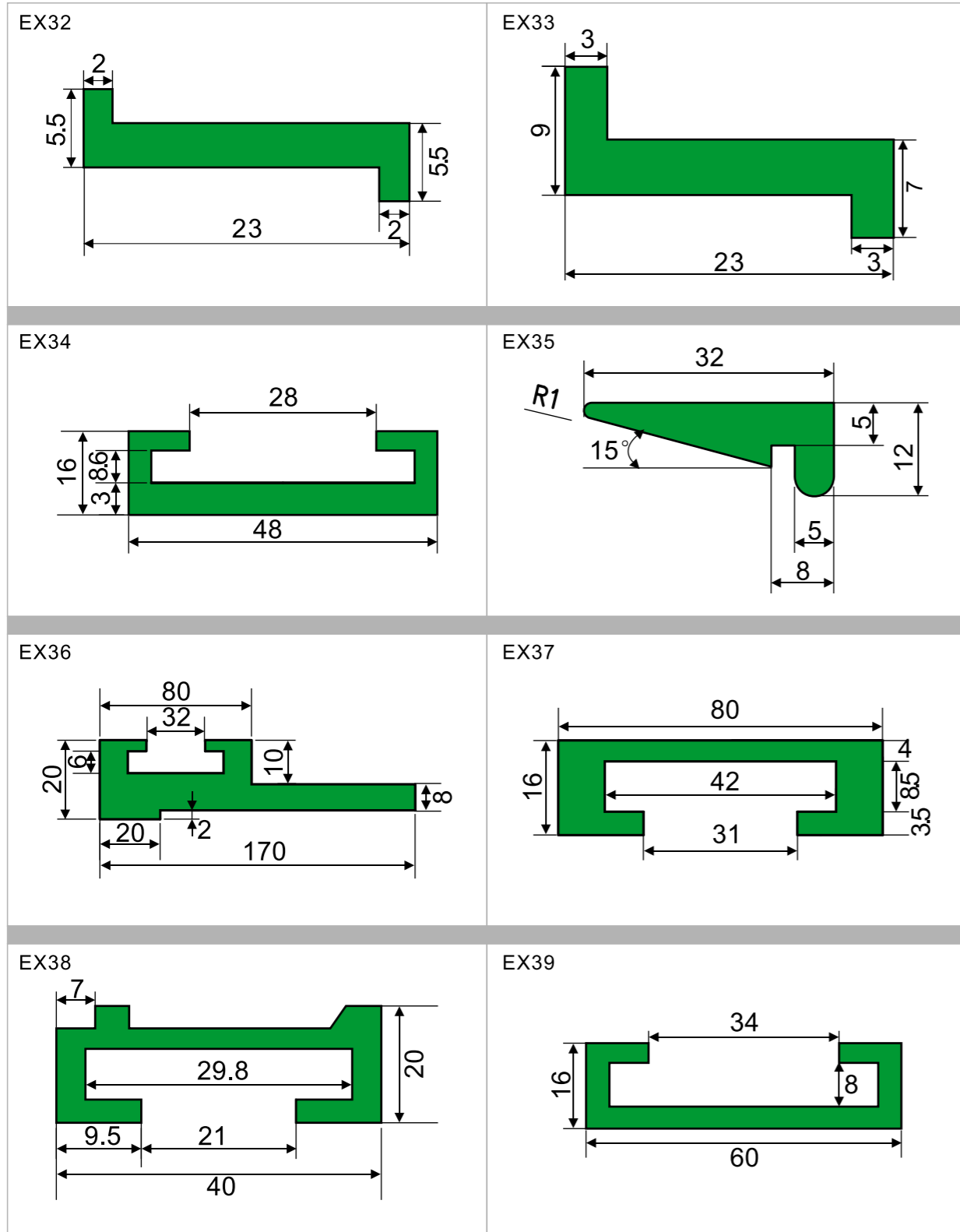
Heteroideus wearing strip



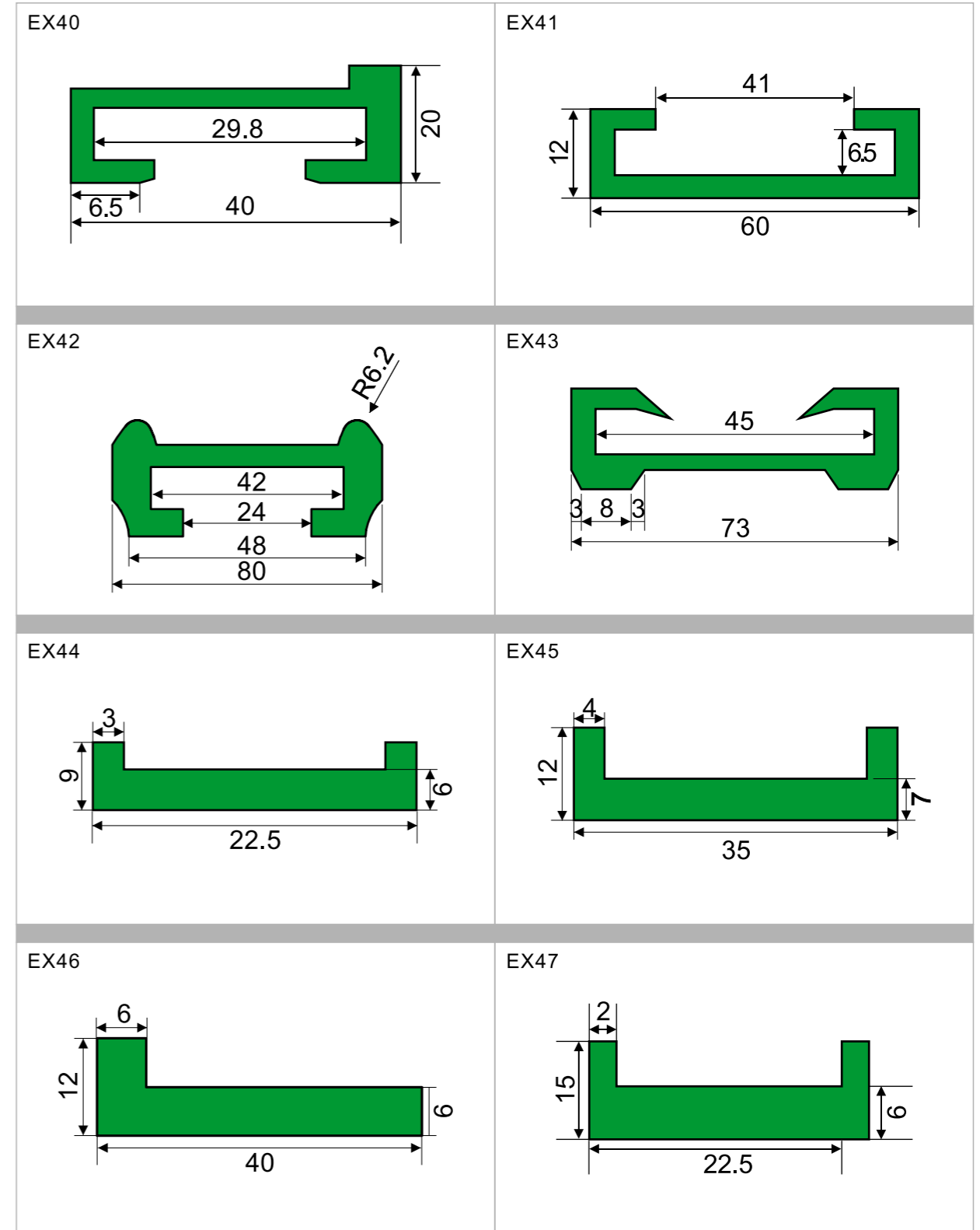
Heteroideus wearing strip



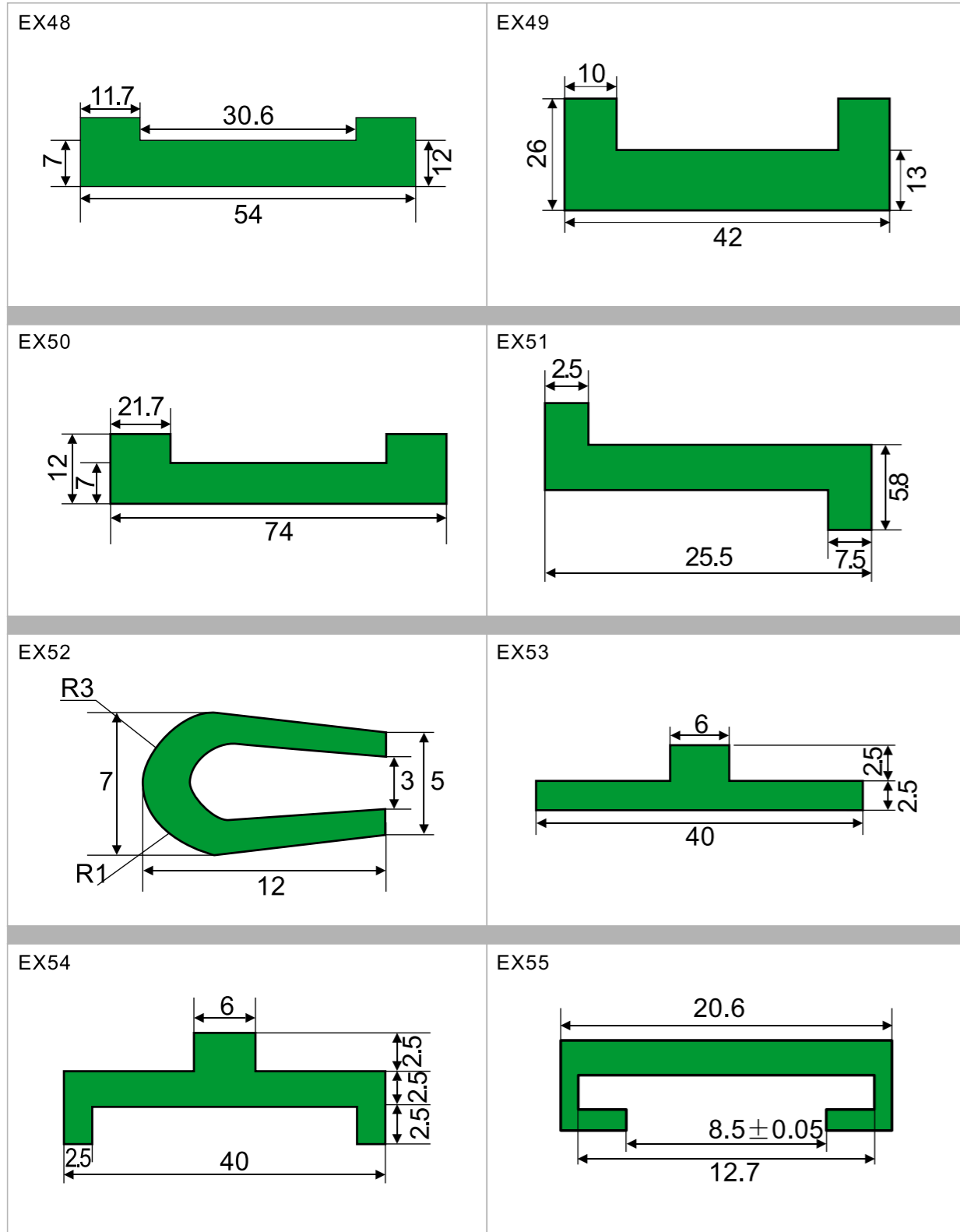
Heteroideus wearing strip



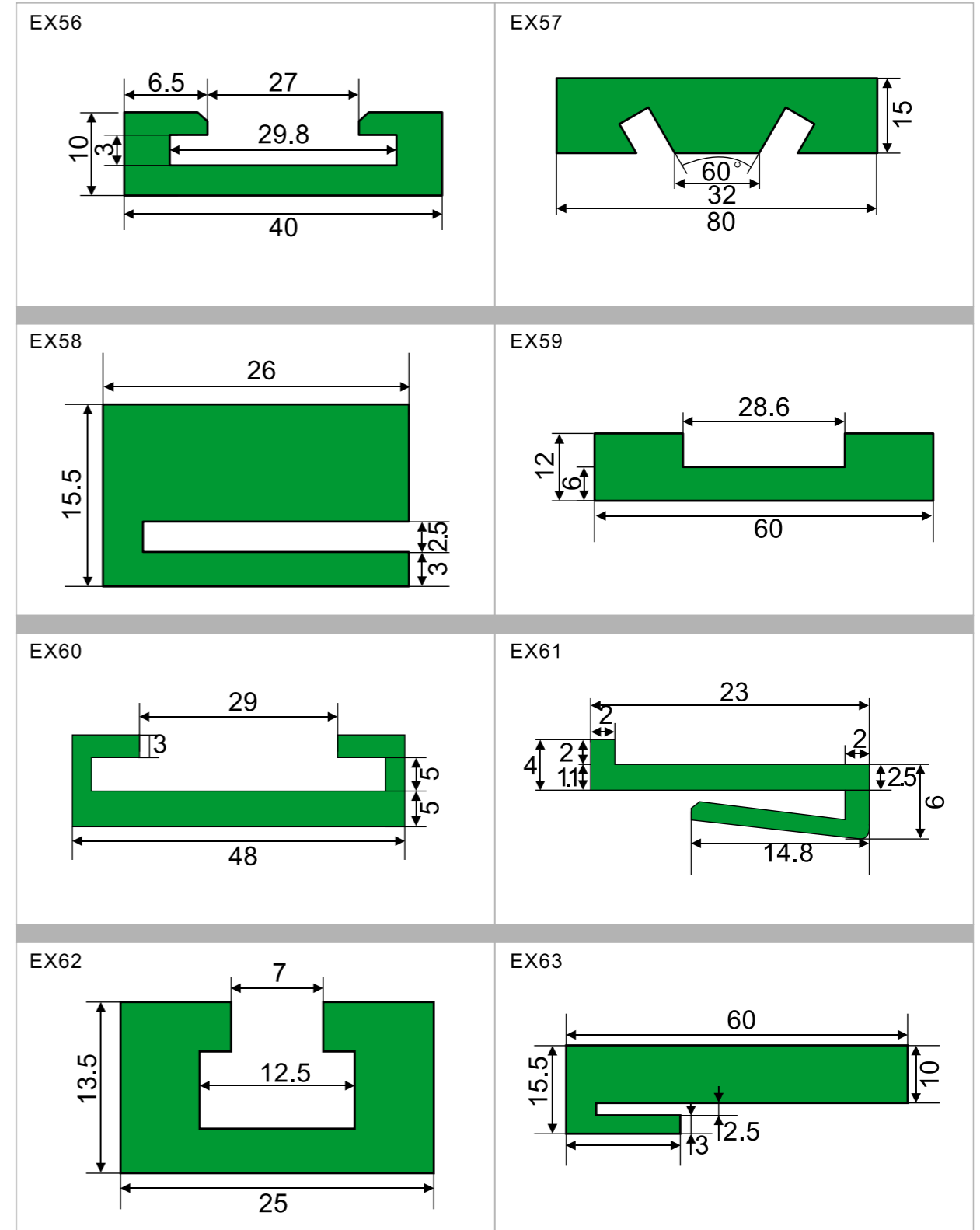
Heteroideus wearing strip



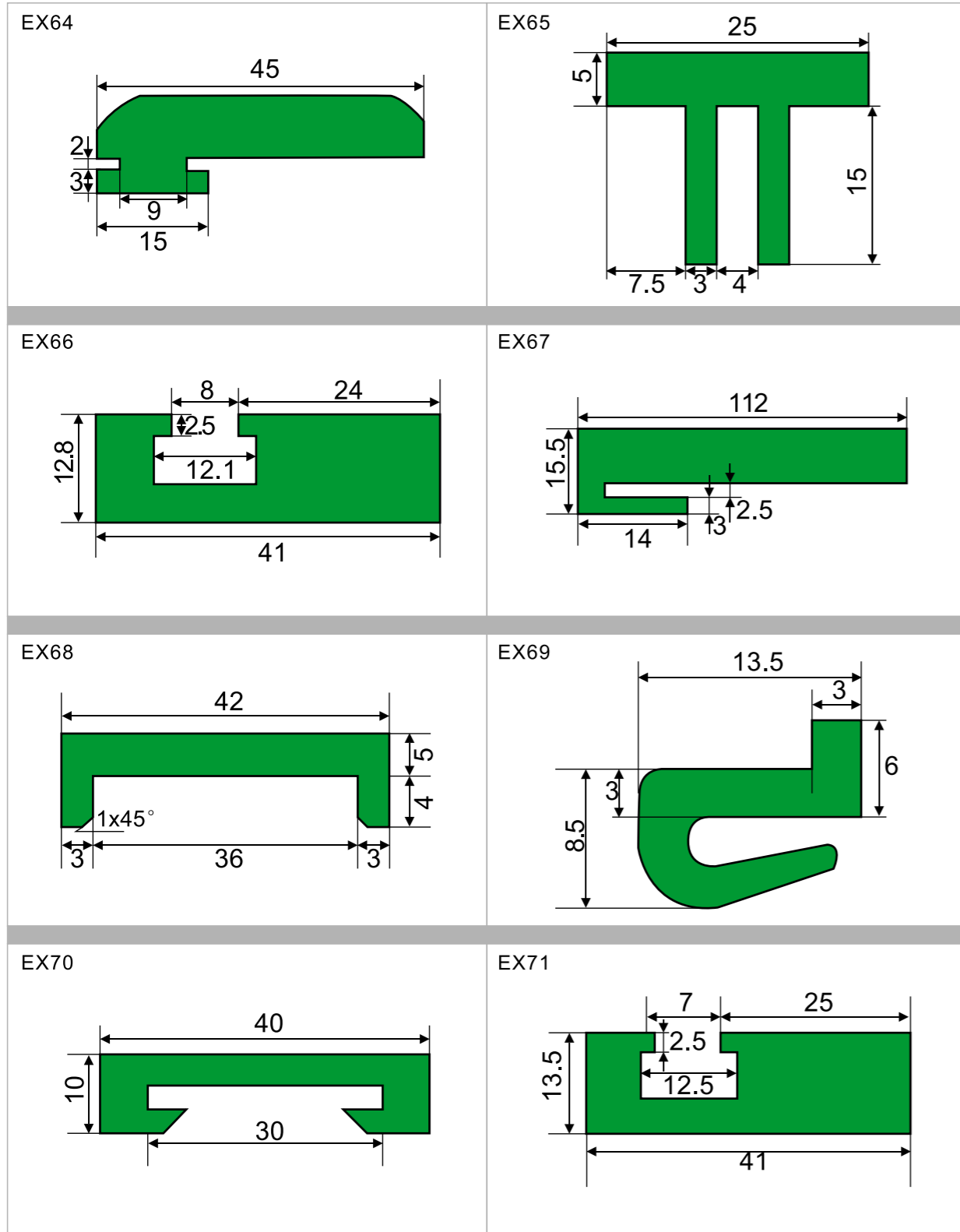
Heteroideus wearing strip



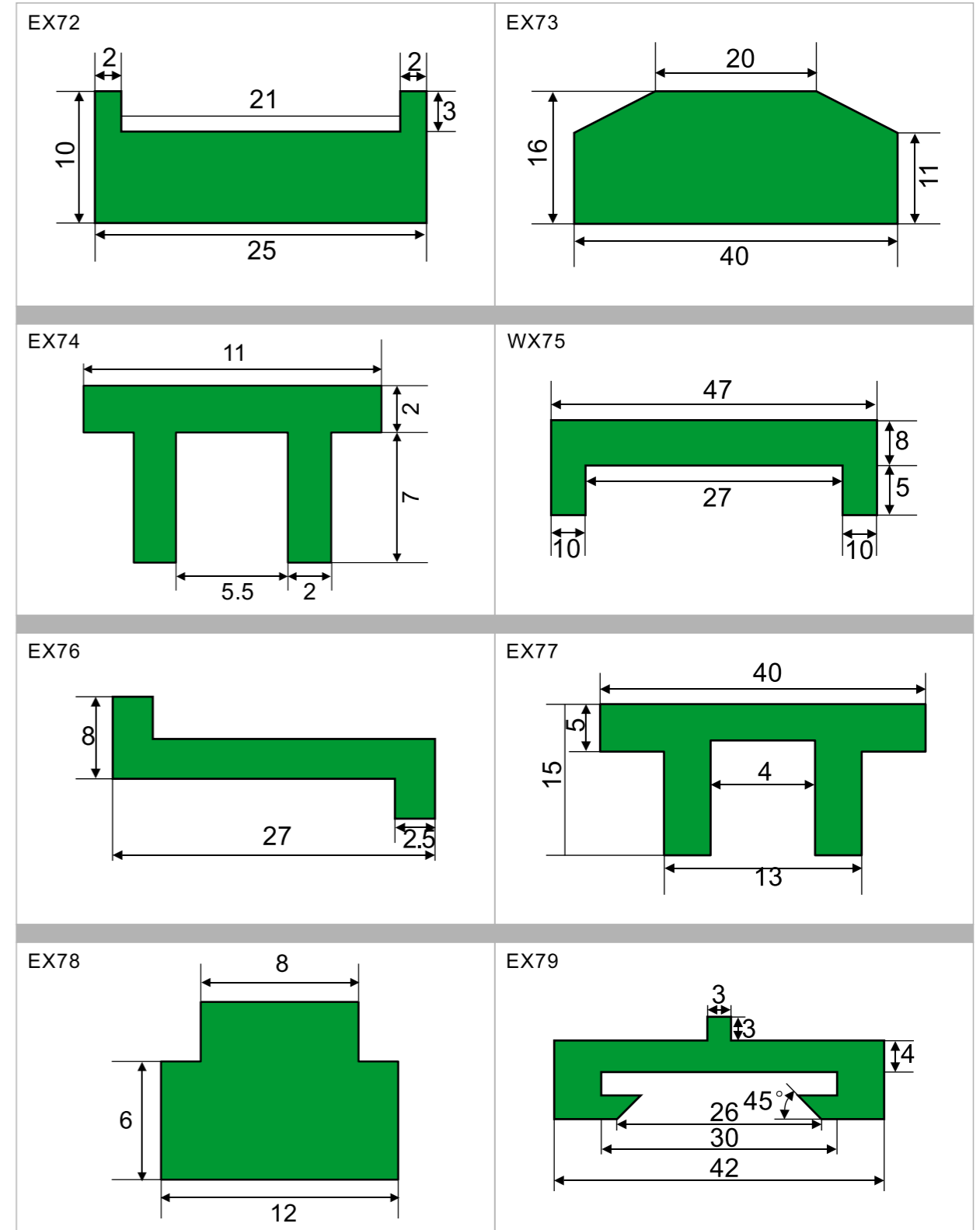
Heteroideus wearing strip



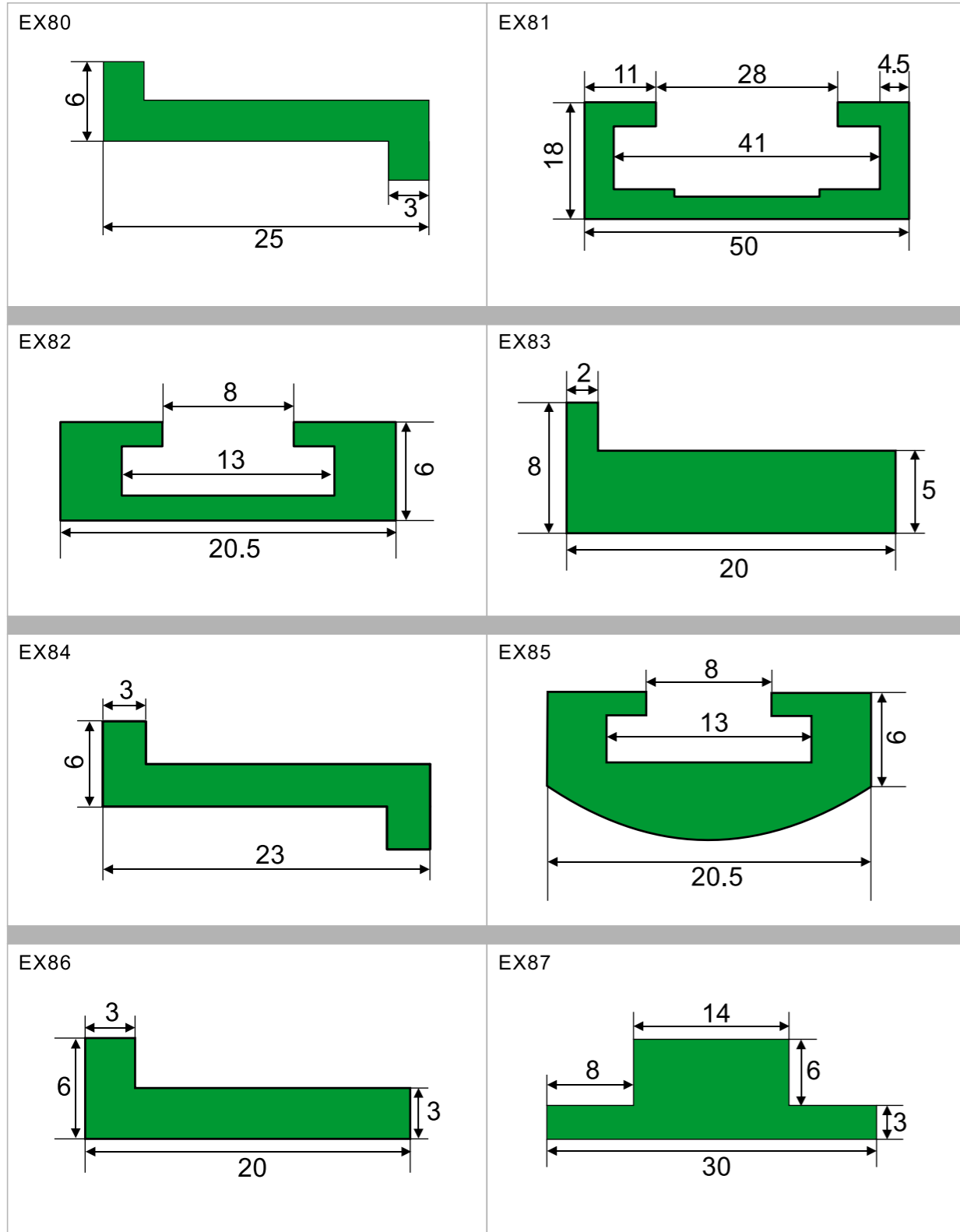
Heteroideus wearing strip



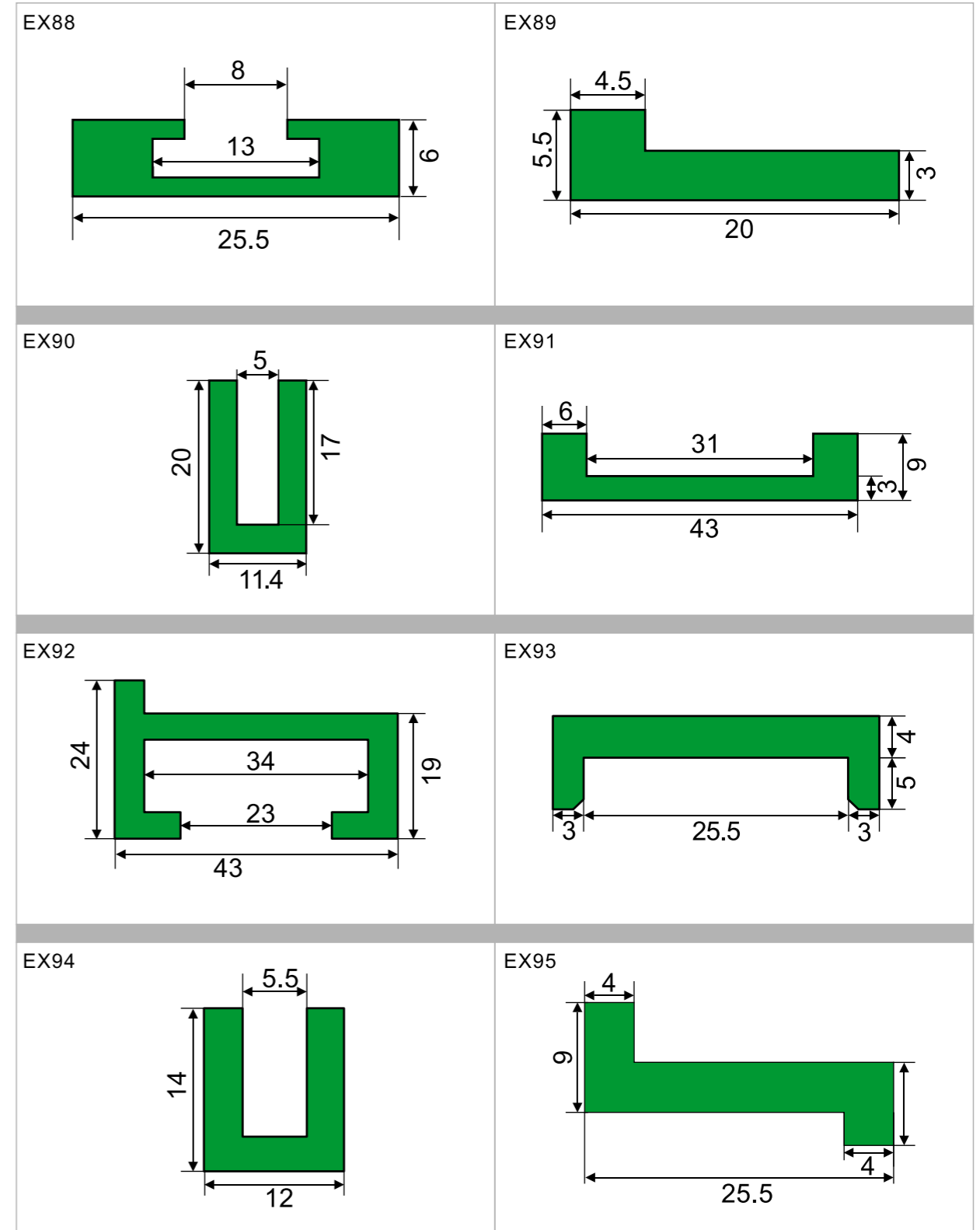
Heteroideus wearing strip



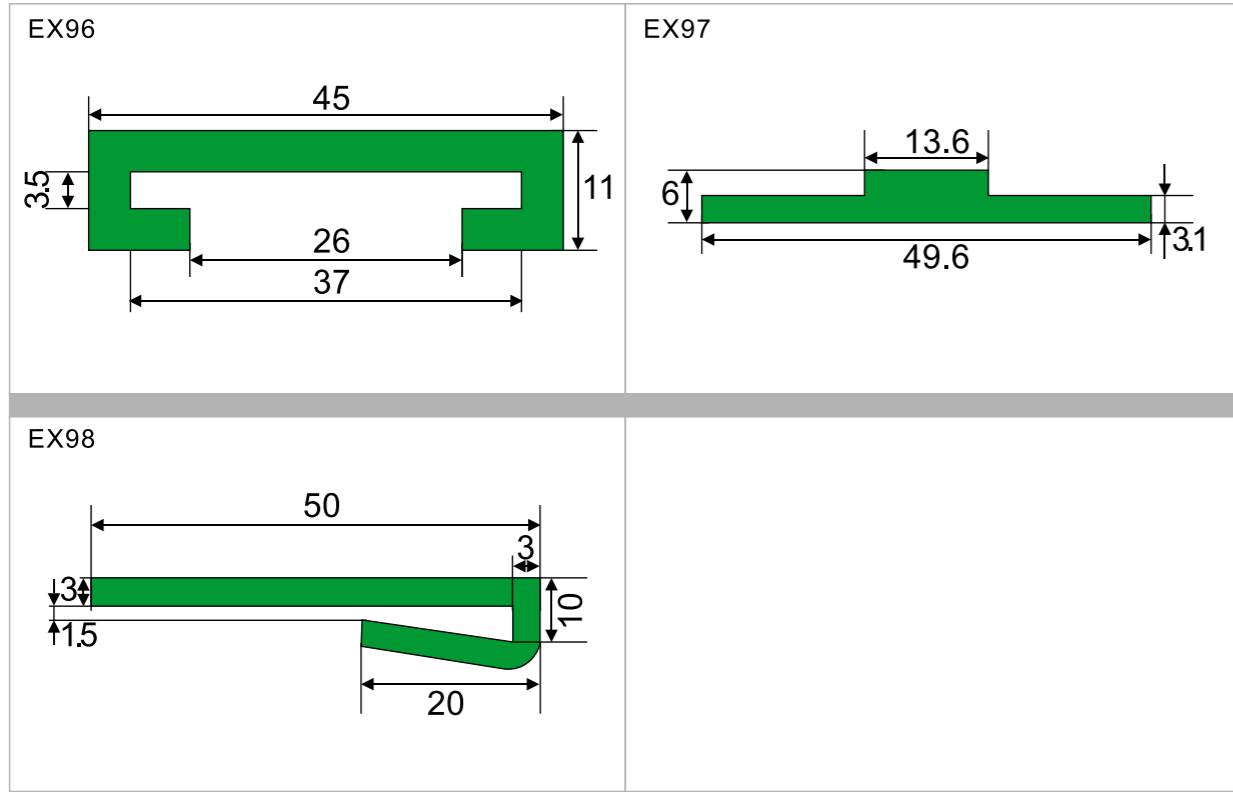
Heteroideus wearing strip



Heteroideus wearing strip

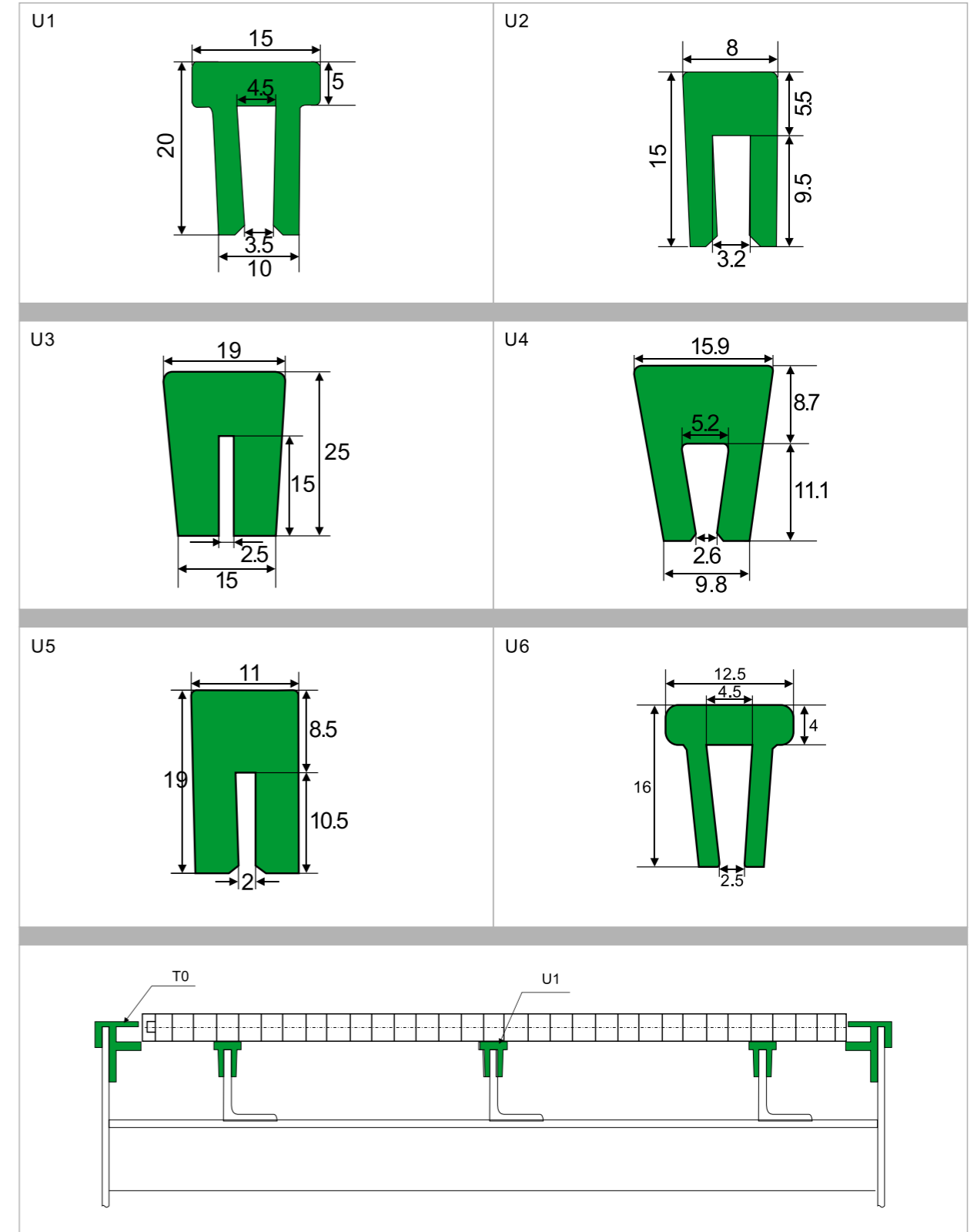


Heteroideus wearing strip



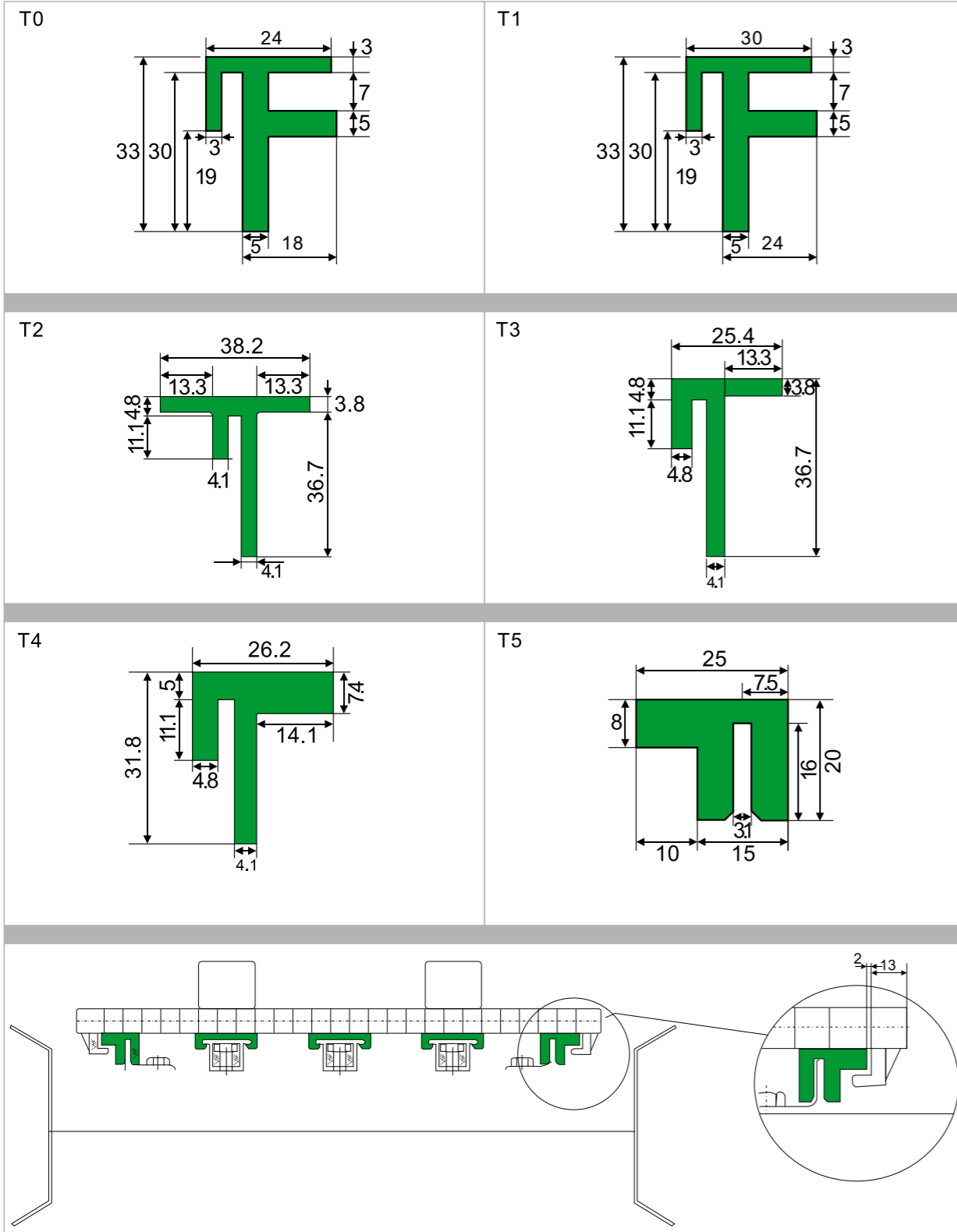
Heteroideus wearing strip

U-shaped mesh belt support

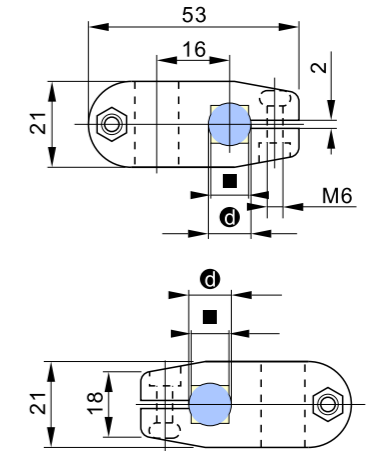


Heteroideus wearing strip

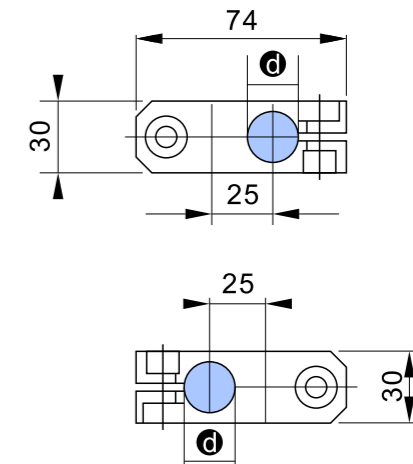
T-shaped mesh belt wing



Accessories

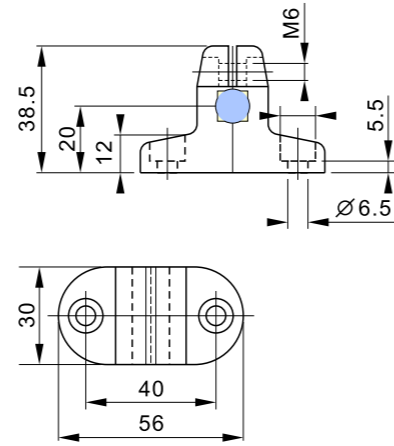


Type	Reference	Square rod mm	mm	Kg
Light power source supporter A	HS-P101-12	10	12	0.023
	HS-P101-14	12	14	

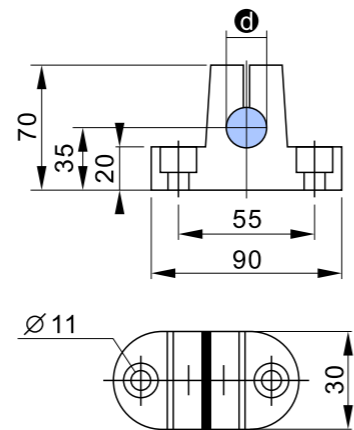


Type	Reference	hole diameter mm	Kg
Grand cross bearing holder	HS-P103-12	12	0.023
	HS-P103-14	14	
	HS-P103-16	16	

Accessories

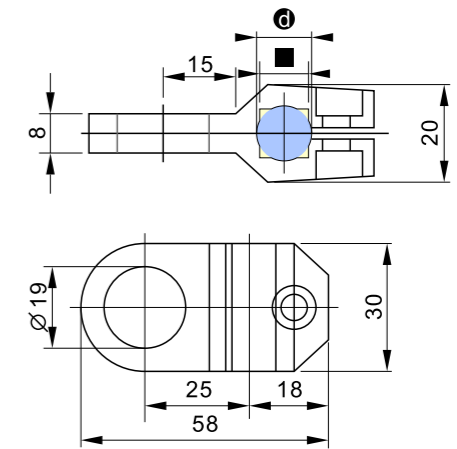


Type	Reference	Square rod ■ mm	hole diameter ⊘ mm	Kg
Light power source supporter B	HS-P102-12	10	12	0.025
	HS-P102-14	12	14	

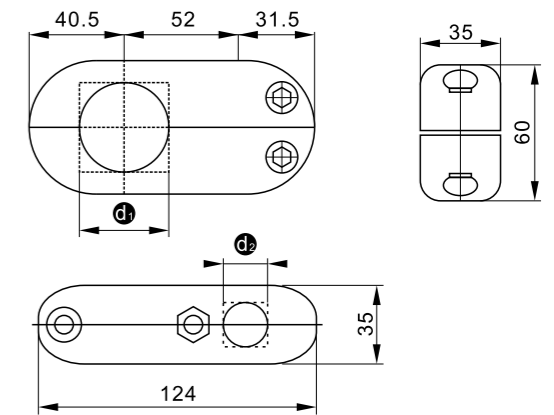


Type	Reference	hole diameter ⊘ mm	Kg
Large T-shaped holder	HS-P104-12	12	0.085
	HS-P104-16	16	
	HS-P104-20	20	

Accessories

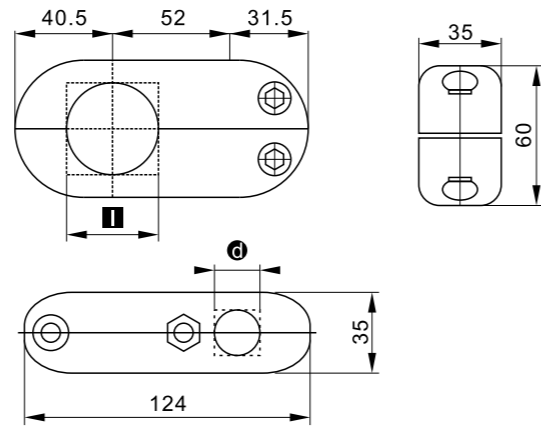


Type	Reference	Square rod ■ mm	hole diameter ⊘ mm	Kg
Sensor clamp	HS-P105-12	10	12	0.019

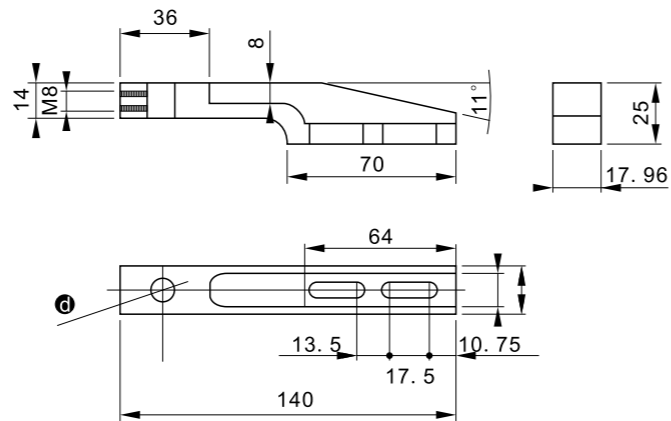


Type	Reference	Square rod ■ mm	hole diameter ⊘ mm	Kg
Round-hole cross connector	HS-P511-12	38.1	16	0.220
	HS-P511-14	38.1	20	0.205

Accessories

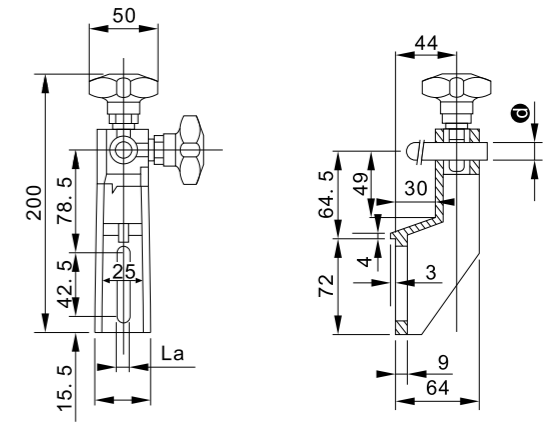


Type	Reference	Square rod □ mm	hole diameter ⌀ mm	Kg
Square-hole cross connector	HS-P512-16	10	12	0.21
	HS-P512-20	12	14	0.20

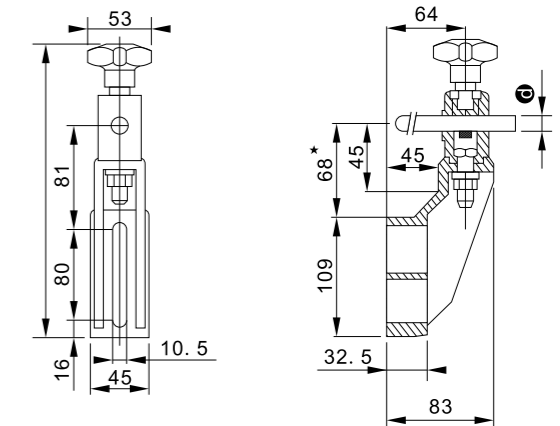


Type	Reference	hole diameter ⌀ mm	Kg
Fixed supporter	HS-P200	10	0.08

Accessories

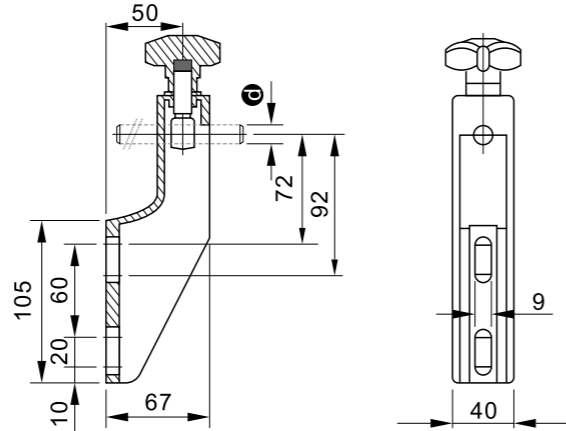


Type	Reference	Material	Kg
Fixed supporter	HS-P201-12	12	0.18
	HS-P201-14	14	
	HS-P201-16	16	

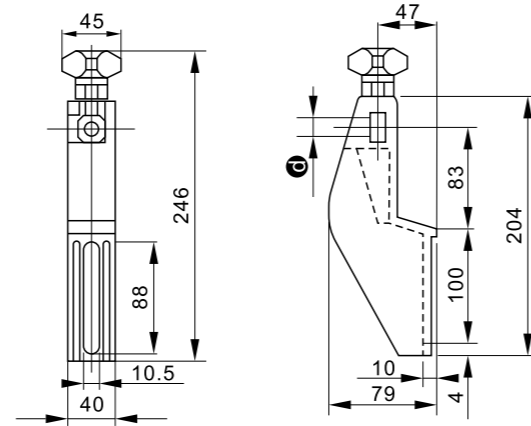


Type	Reference	Material	Kg
Adjustable supporter	HS-P202-12	12	0.26
	HS-P202-14	14	
	HS-P202-16	16	

Accessories



Type	Reference	Material	Kg
Medium-sized fixed supporter	HS-P203-12	12	0.20
	HS-P203-14	14	
	HS-P203-16	16	

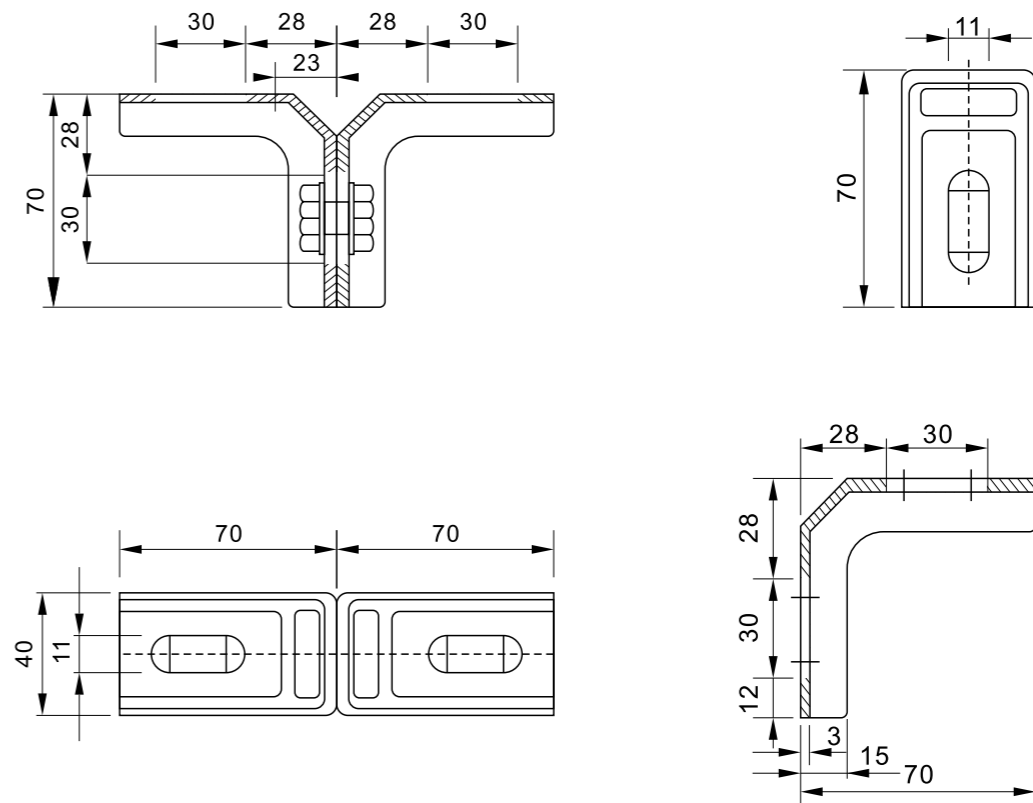


Type	Reference	Material	Kg
Large fixed supporter	HS-P204-12	12	0.25
	HS-P204-14	14	
	HS-P204-16	16	

Accessories



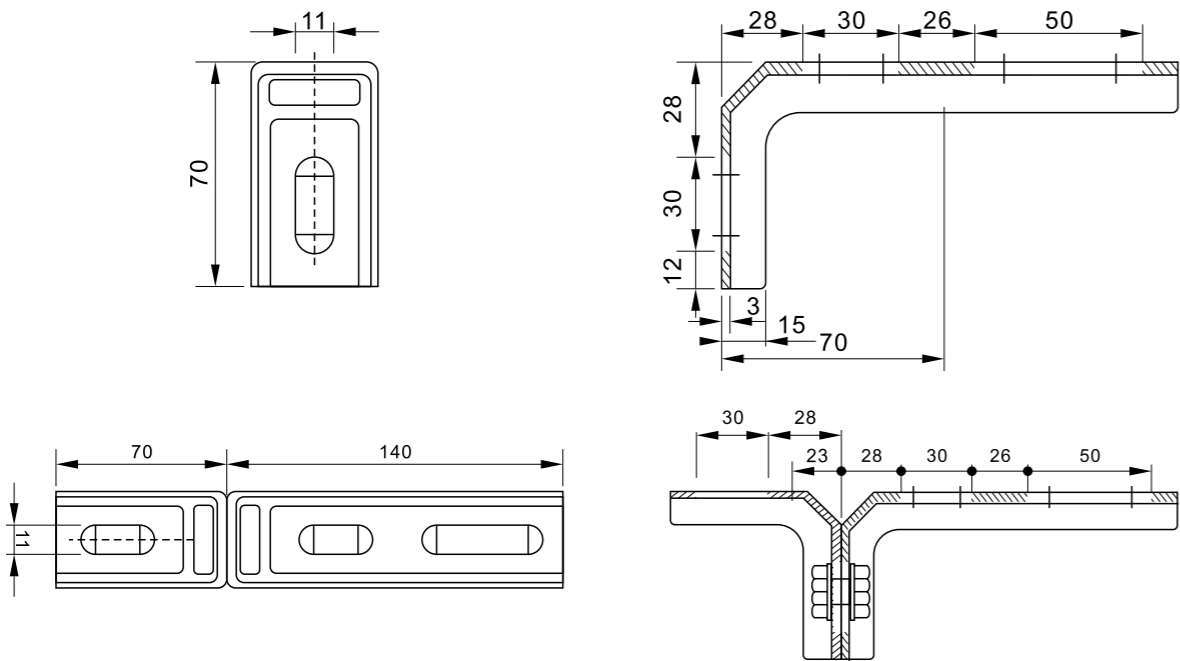
Type	Reference	Material	Kg
Panel bracket	HS-P205	304 stainless steel	0.149



Accessories



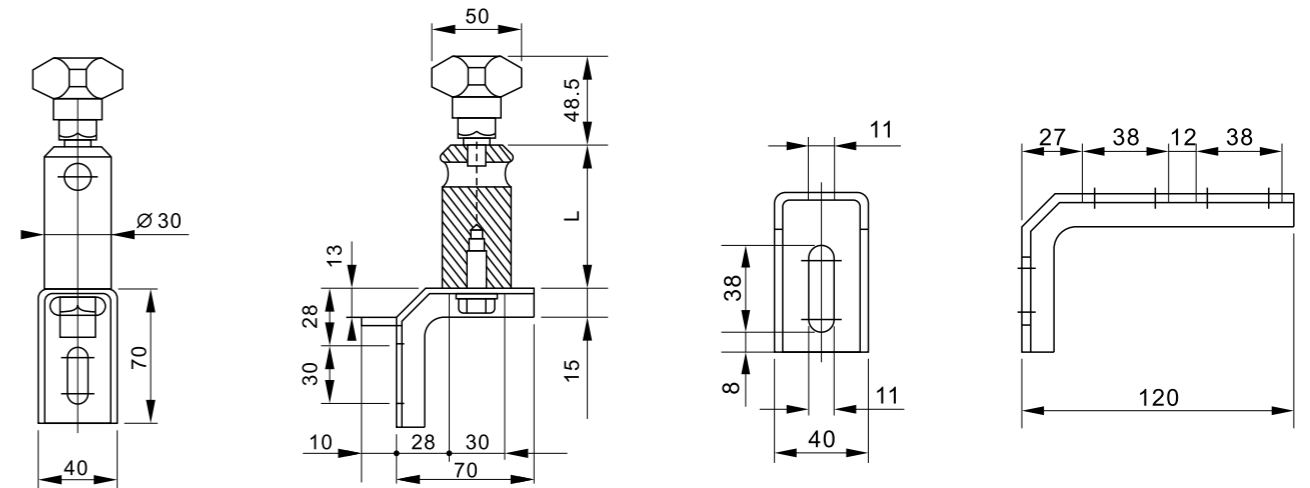
Type	Reference	Material	Kg
Panel bracket	HS-P206-1	304 stainless steel	0.230



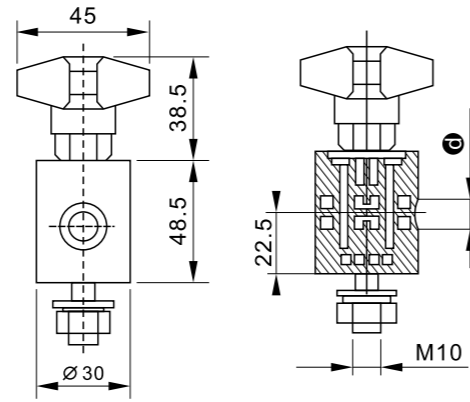
Accessories



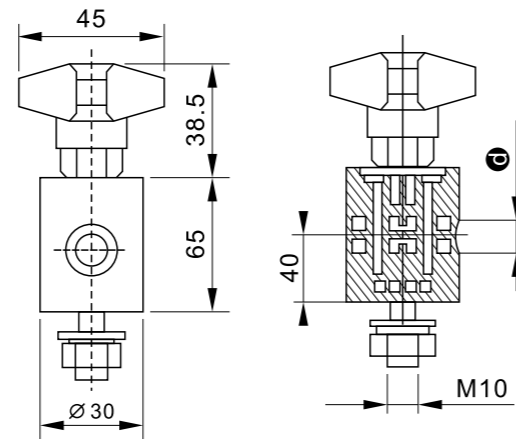
Type	Reference	Material	Kg
Panel bracket	HS-P206-2	304 stainless steel	0.203



Accessories

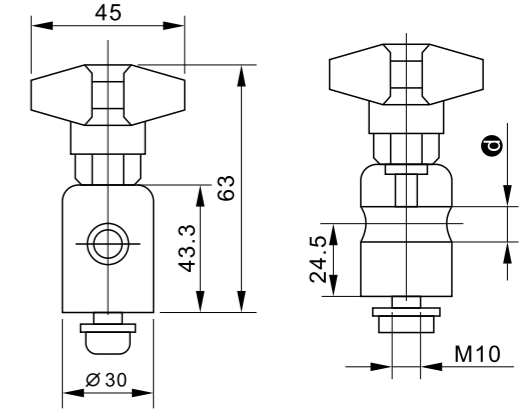


Type	Reference	Material	hole diameter \varnothing mm	Kg
Short adjustment head set	HS-P207-12	Pa6 nylon + stainless steel and copper	12	0.056
	HS-P207-14		14	
	HS-P207-16		16	

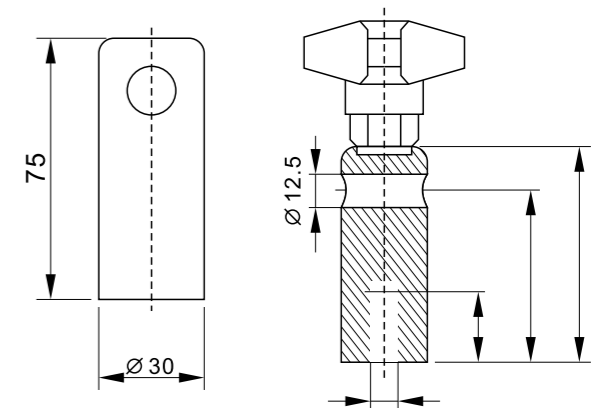


Type	Reference	Material	hole diameter \varnothing mm	Kg
Long adjustment head set	HS-P208-12	Pa6 nylon + stainless steel and copper	12	0.143
	HS-P208-14		14	
	HS-P208-16		16	

Accessories

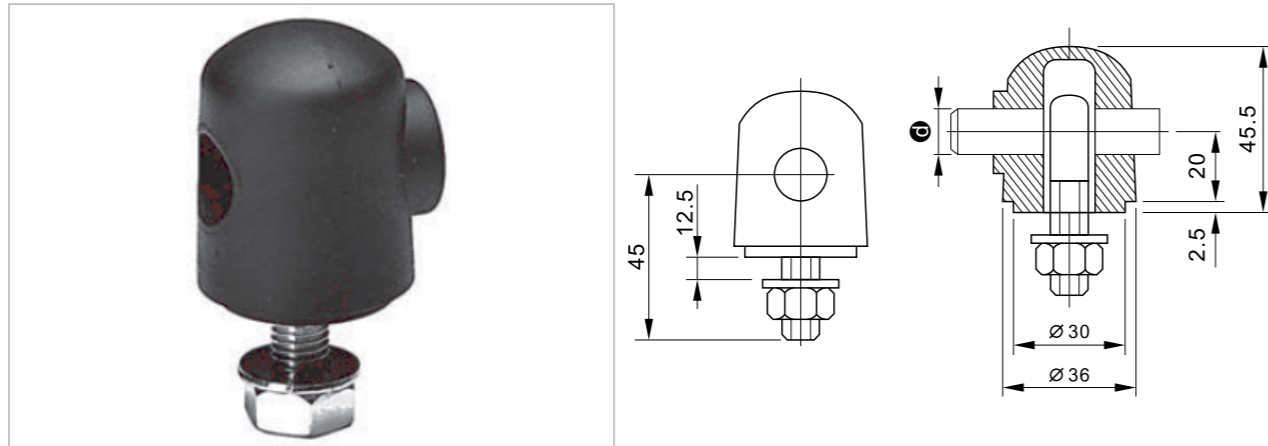


Type	Reference	Material	hole diameter \varnothing mm	Kg
Short metal fixed head	HS-P209-12	304 stainless steel	12	0.235
	HS-P209-14		14	
	HS-P209-16		16	

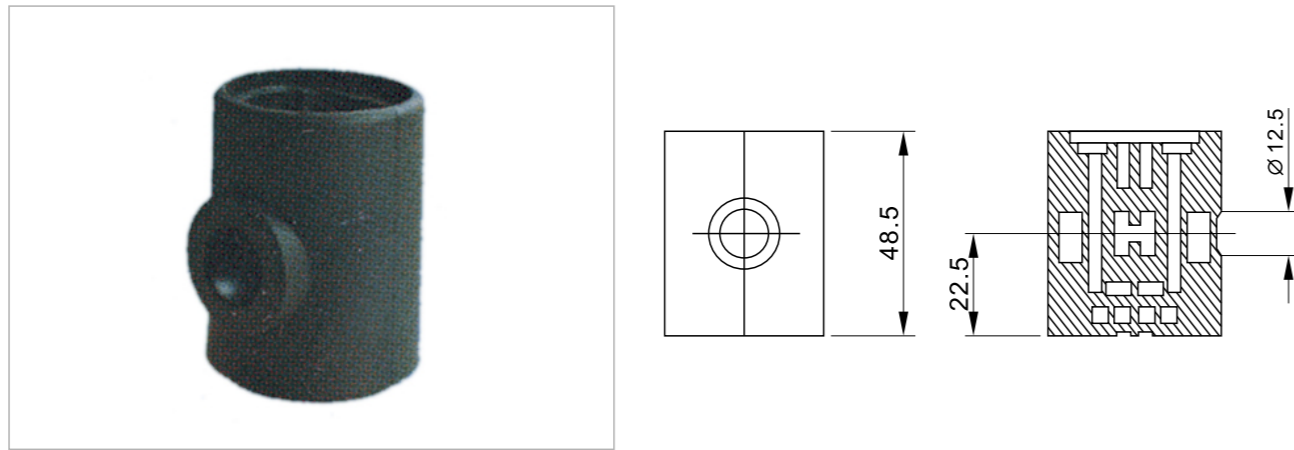


Type	Reference	Material	hole diameter \varnothing mm	Kg
Long metal fixed head	HS-P210-1	304 stainless steel	12	0.385
	HS-P210-2		14	
	HS-P210-3		16	

Accessories

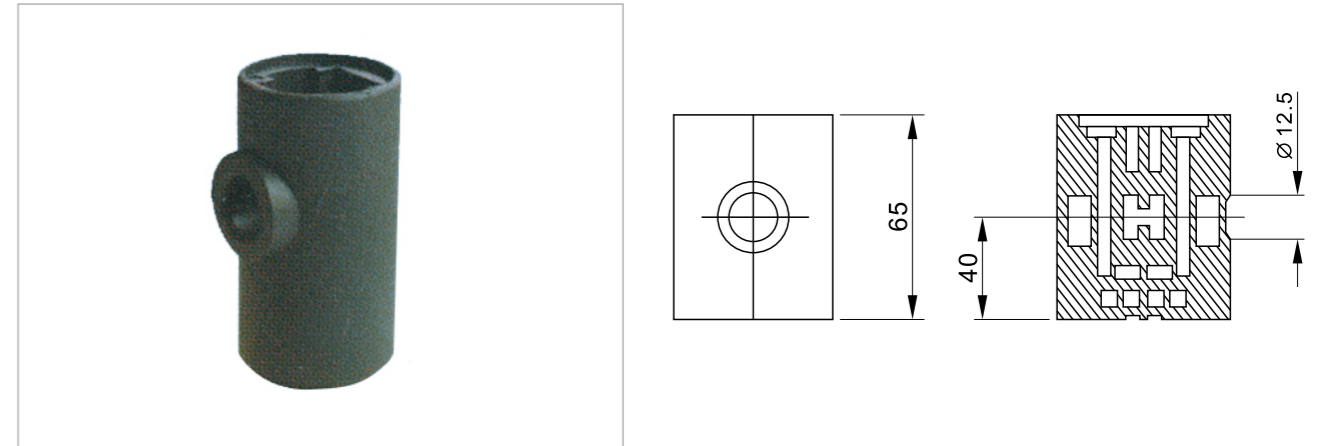


Type	Reference	Material	hole diameter \varnothing mm	Kg
Short adjustment head	HS-P211-1	Pa6 Nylon	12	0.07
	HS-P211-2		14	
	HS-P211-3		16	

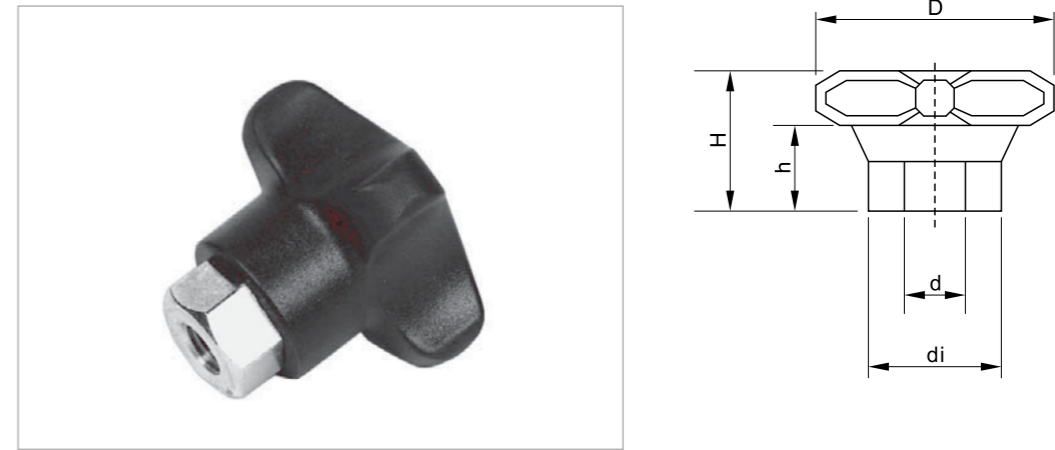


Type	Reference	Material	hole diameter \varnothing mm	Kg
Short adjustment head	HS-P212-1	Pa6 Nylon	12	0.03
	HS-P212-2		14	
	HS-P212-3		16	

Accessories

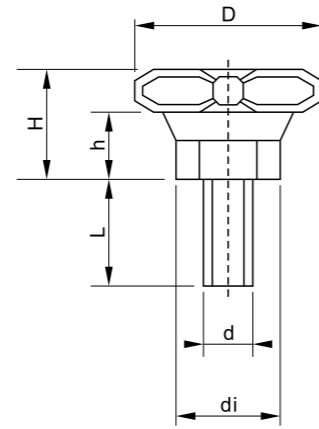


Type	Reference	Material	hole diameter \varnothing mm	Kg
Long adjustment head	HS-P213-1	Pa6 Nylon	12	0.035
	HS-P213-2		14	
	HS-P213-3		16	



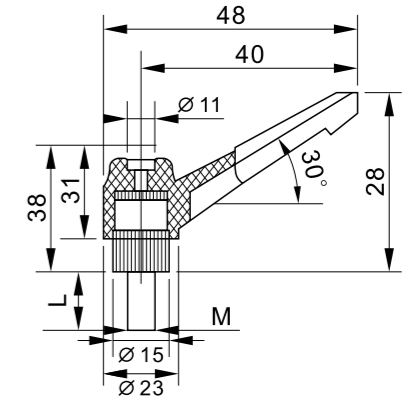
Type	Reference	D	d	H	h	di	Kg
Tightening head	HS-P216-20-N5	20mm	M5	13	7	8.5	0.013
	HS-P216-20-N5		M5				0.014
	HS-P216-20-N6	20mm	M6	21	11	17	0.015
	HS-P216-20-N6		M8				0.016
	HS-P216-20-N6	20mm	M6	25	15	19.5	0.018
	HS-P216-20-N6		M8				0.020
	HS-P216-30-N10	20mm	M10	37	19	21	0.024
	HS-P216-30-N8		M8				0.025
	HS-P216-20-N10	20mm	M10	37	19	21	0.025

Accessories

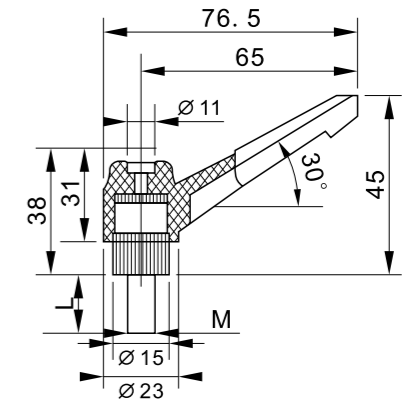


Type	Reference	D	d	L	H	h	di	Kg	
Tightening head	HS-P215-20-M4*15	20mm	M4	15	13	7	8.5	0.015	
	HS-P215-20-M4*20			20				0.015	
	HS-P215-20-M4*25			25				0.015	
	HS-P215-20-M5*15		M5	15				0.015	
	HS-P215-20-M5*20			20				0.015	
	HS-P215-20-M5*25			25				0.015	
	HS-P215-20-M5*40	30mm	M5	40	21	11	17	0.010	
	HS-P215-20-M6*16			M6				16	0.012
	HS-P215-20-M6*25							20	0.015
	HS-P215-20-M8*20		M8					20	0.018
	HS-P215-20-M8*30			30				0.022	
	HS-P215-20-M8*15		40mm	M8				15	25
	HS-P215-20-M8*20	20			0.030				
	HS-P215-20-M10*20	M10			20	0.040			
	HS-P215-20-M10*30				30	0.045			
	HS-P215-20-M8*25	50mm	M8	25	32	19	21	0.047	
HS-P215-20-M10*25	M10			25				0.050	
HS-P215-20-M10*30				30				0.055	

Accessories

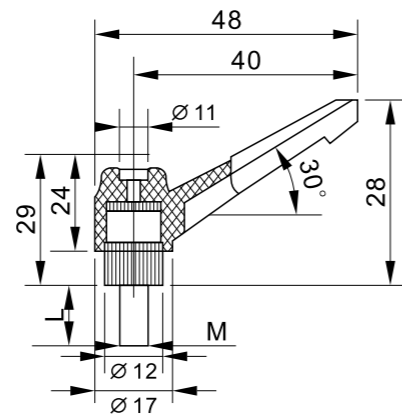


Type	Reference	M	L	Kg	Material
Small universal wrench	HS-P230-W4*14	4	14	0.023	Strengthened nylon(PA66) handle and stainless screws(SUS304)
	HS-P230-W4*20		20	0.025	
	HS-P230-W5*20	6	20	0.028	
	HS-P230-W6*20		20	0.030	
	HS-P230-W6*25		25	0.030	

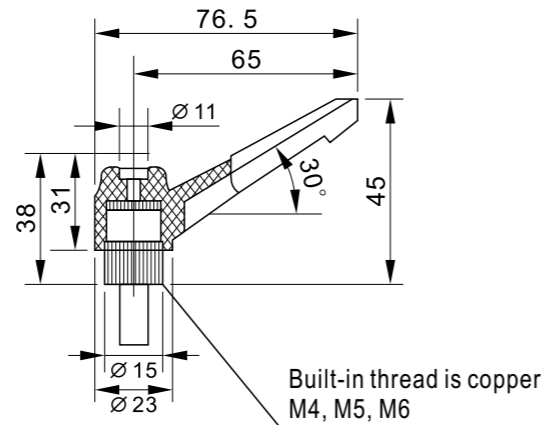


Type	Reference	M	L	Kg	Material
Large universal wrench	HS-P240-W8*20	8	20	0.035	Strengthened nylon(PA66) handle and stainless screws(SUS304)
	HS-P240-W8*30		30	0.040	
	HS-P240-W8*50		50	0.050	
	HS-P240-W10*30	10	30	0.056	
	HS-P240-W10*60		60	0.080	

Accessories

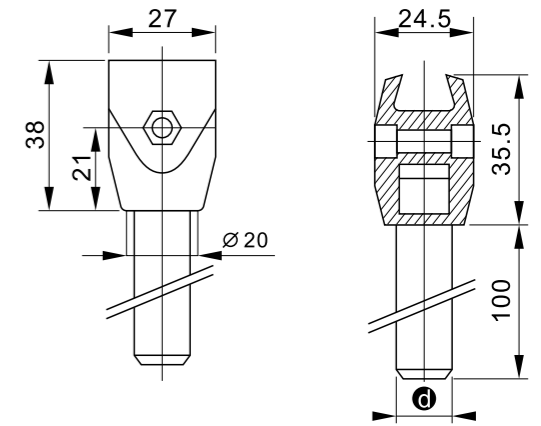


Type	Reference	M	L	Kg	Material
Internal crest small universal wrench	HS-P250-W-N4	4	10	0.020	Strengthened nylon handle (PA66)
	HS-P250-W-N5	5	10	0.025	
	HS-P250-W-N6	6	10	0.030	

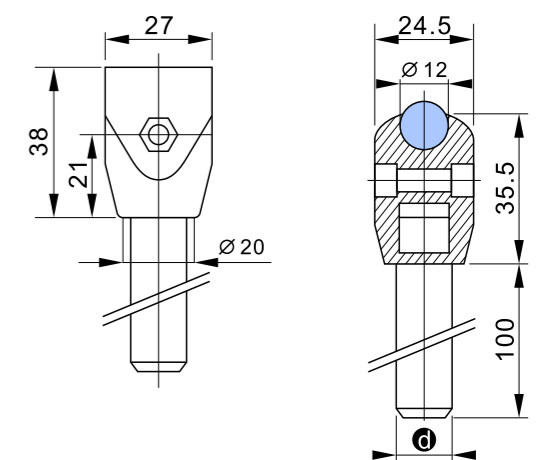


Type	Reference	M	L	Kg	Material
Internal crest large universal wrench	HS-P260-W-N8	8	15	0.030	Strengthened nylon handle (PA66)
	HS-P260-W-N10	10	15	0.040	

Accessories

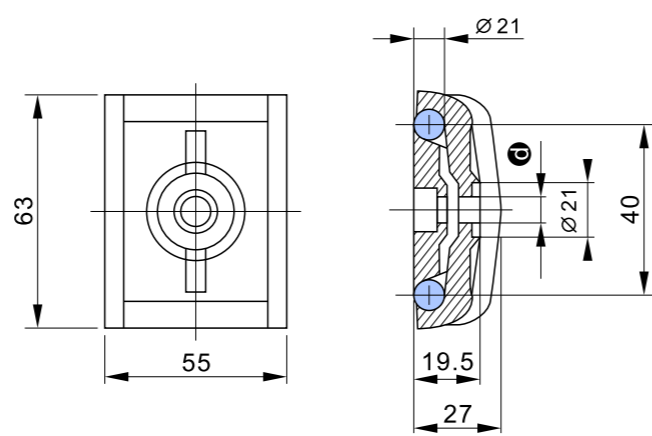


Type	Reference	Material	hole diameter \varnothing mm	Kg
Single clamp	HS-P300-12	Pa6 Nylon+ 304 stainless steel	12	0.11
	HS-P300-14		14	
	HS-P300-16		16	

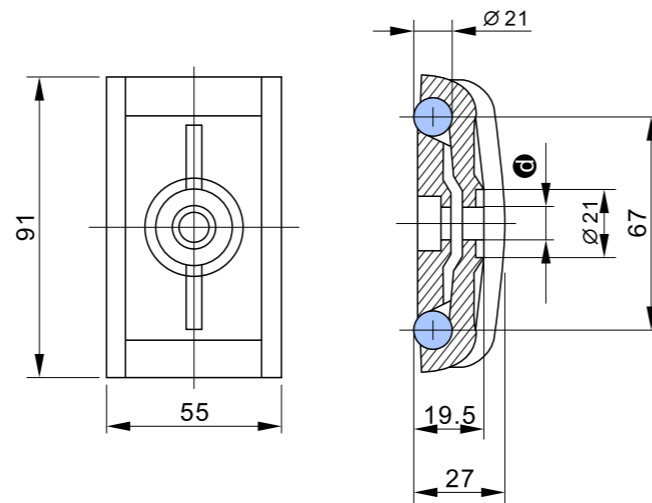


Type	Reference	Material	hole diameter \varnothing mm	Kg
Single clamp	HS-P301-12	Pa6 Nylon+ 304 stainless steel	12	0.11
	HS-P301-14		14	
	HS-P301-16		16	

Accessories

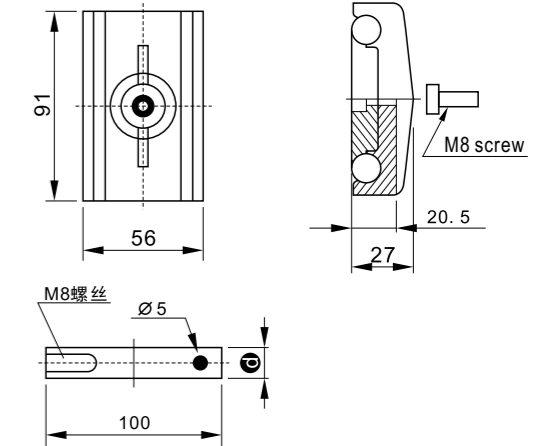


Type	Reference	Material	hole diameter \varnothing mm	Kg
Double clamp A	HS-P302-12	Pa6 Nylon+ 304 stainless steel	12	0.17
	HS-P302-14		14	
	HS-P302-16		16	

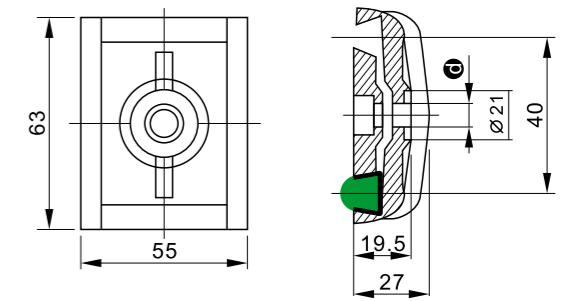


Type	Reference	Material	hole diameter \varnothing mm	Kg
Double clamp B	HS-P303-12	Pa6 Nylon+ 304 stainless steel	12	0.18
	HS-P303-14		14	
	HS-P303-16		16	

Accessories

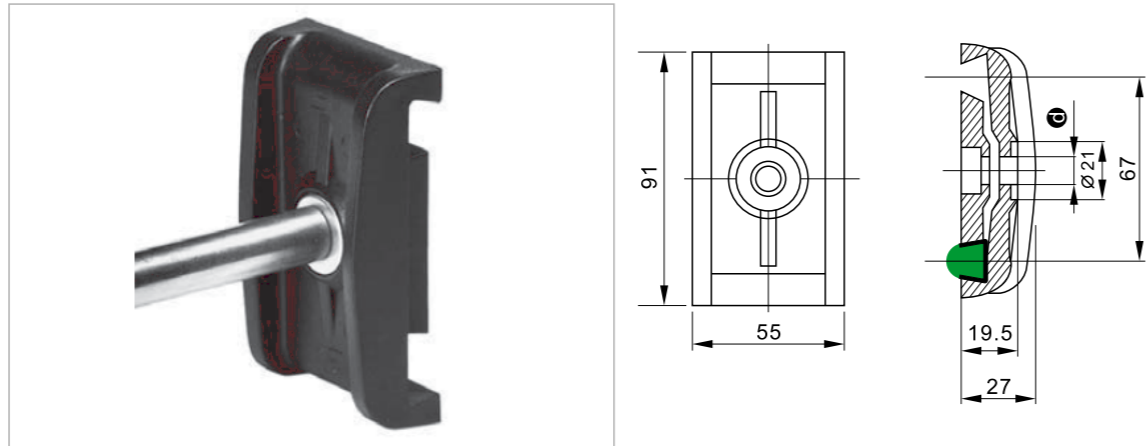


Type	Reference	Material	hole diameter \varnothing mm	Kg
Double clamp E	HS-P310-12	Pa6 Nylon+ 304 stainless steel	12	0.18
	HS-P310-14		14	
	HS-P310-16		16	

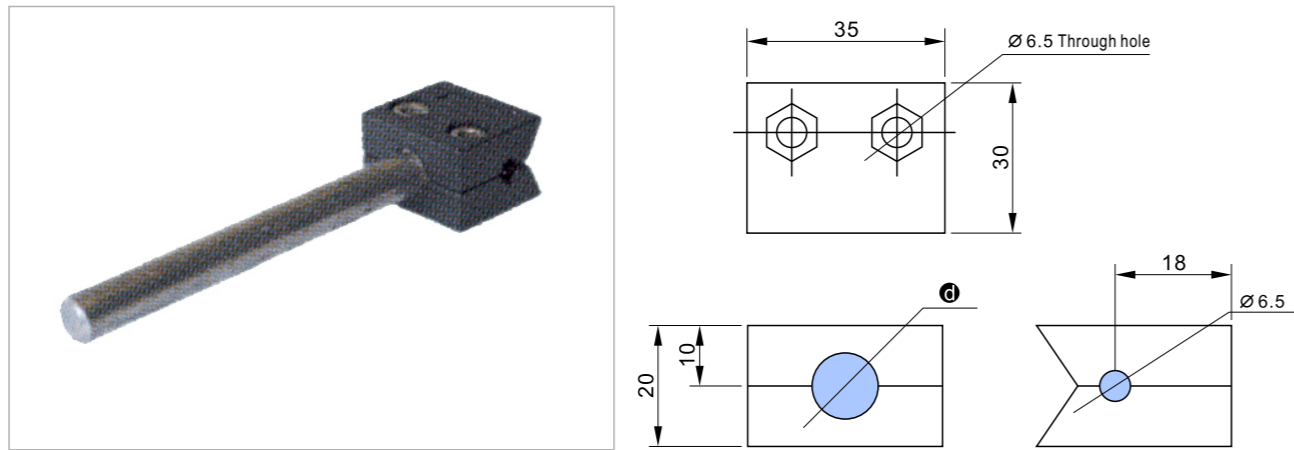


Type	Reference	Material	hole diameter \varnothing mm	Kg
Double clamp C	HS-P307-12	Pa6 Nylon+ 304 stainless steel	12	0.16
	HS-P307-14		14	
	HS-P307-16		16	

Accessories



Type	Reference	Material	hole diameter \varnothing mm	Kg
Double clamp D	HS-P308-12	Pa6 Nylon+ 304 stainless steel	12	0.18
	HS-P308-14		14	
	HS-P308-16		16	

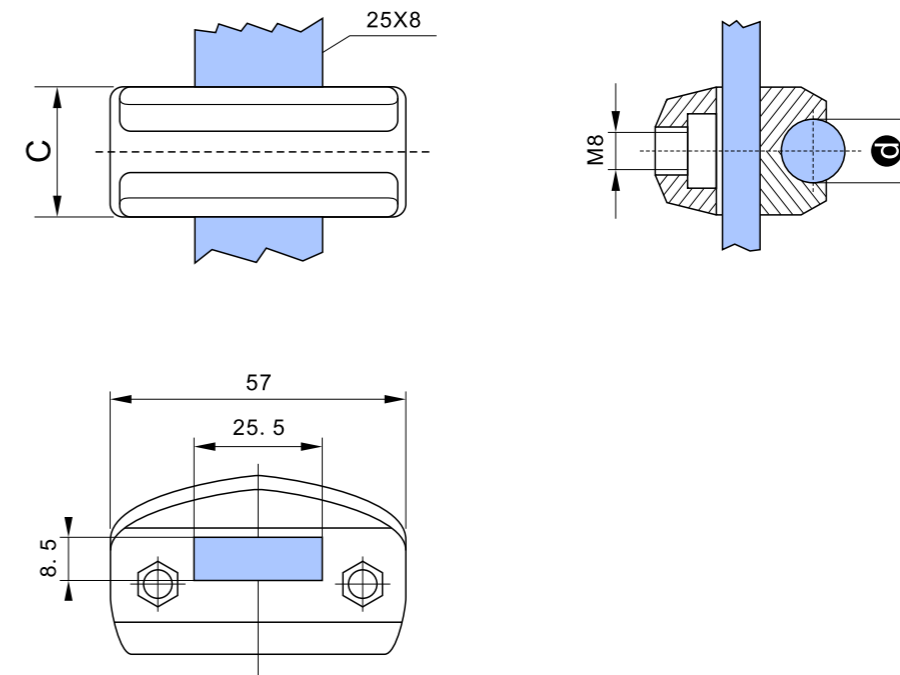


Type	Reference	Material	hole diameter \varnothing mm	Kg
Square clamp D	HS-P304-12	Pa6 Nylon+ 304 stainless steel	12	0.11
	HS-P304-14		14	
	HS-P304-16		16	

Accessories



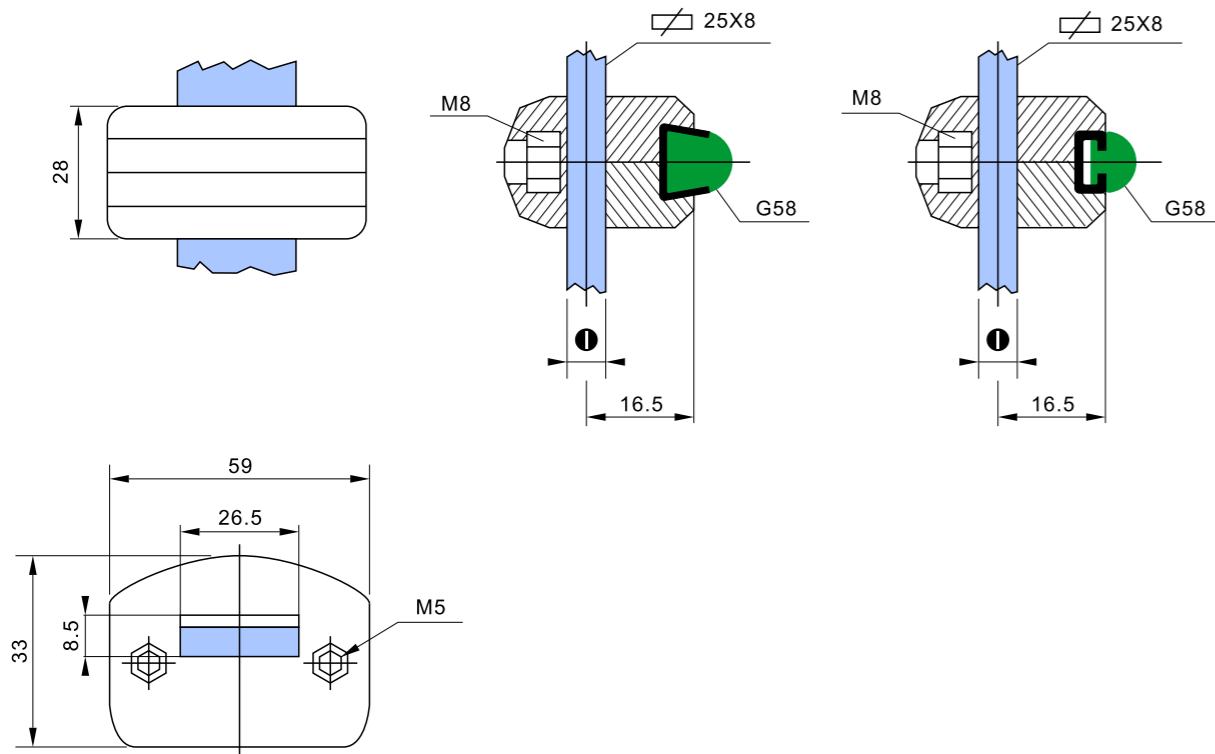
Type	Reference	Material	hole diameter \varnothing mm	Kg
Adjustable single clamp A	HS-P305-12	Pa6 Nylon+ 304 stainless steel	12.0	0.045
	HS-P305-12.7		12.7	



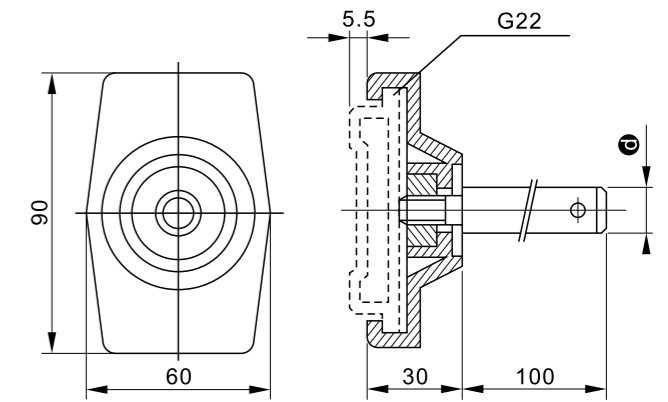
Accessories



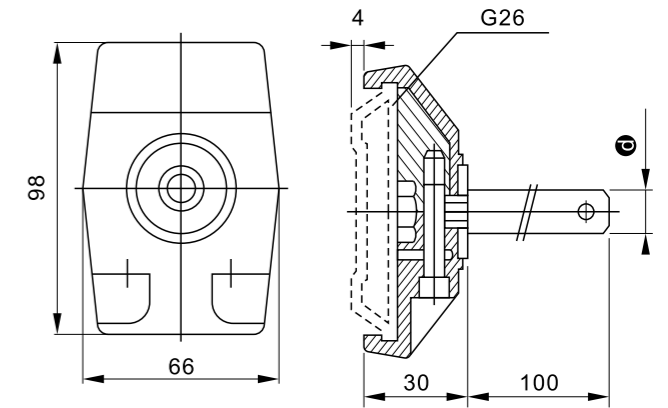
名称 Type	规格 Reference	材质 Material	自重 Kg
djustable single clamp B	HS-P306	Pa6 Nylon+ 304 stainless steel	0.04



Accessories

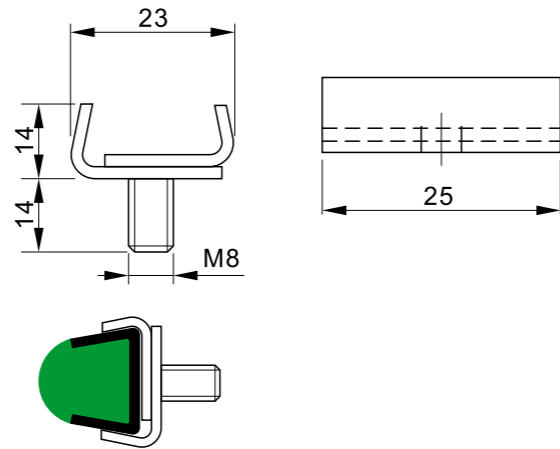


Type	Reference	Material	hole diameter ⌀ mm	Kg
Hollow guardrail clamp	HS-P311-12	Pa6 Nylon+ 304 stainless steel	12	0.18
	HS-P311-14		14	0.22
	HS-P311-16		16	0.25



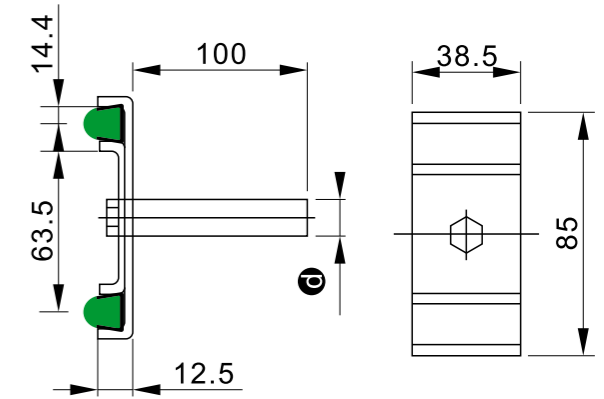
Type	Reference	Material	hole diameter ⌀ mm	Kg
Hollow guardrail clamp	HS-P312-12	Pa6 Nylon+ 304 stainless steel	12	0.22
	HS-P312-14		14	0.25
	HS-P312-16		16	0.29

Accessories

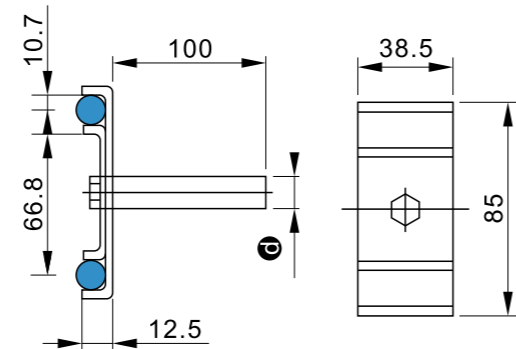


Type	Reference	Material	Kg
Guardrail clamp	HS-P313	304 stainless steel	0.05

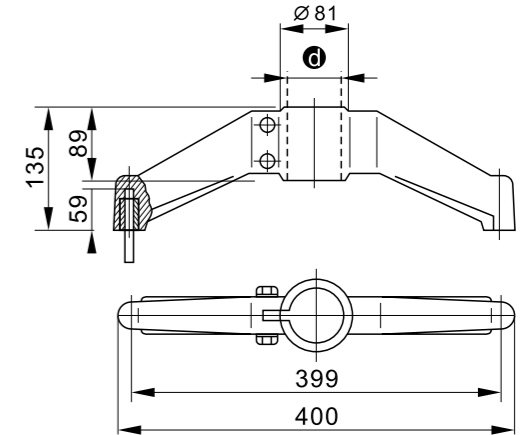
Accessories



Type	Reference	Material	hole diameter \varnothing mm	Kg
Guardrail clamp	HS-P316-12	304 stainless steel	12	0.25
	HS-P316-14		14	0.28
	HS-P316-16		16	0.32



Type	Reference	Material	hole diameter \varnothing mm	Kg
Guardrail clamp	HS-P315-12	304 stainless steel	12	0.29
	HS-P315-14		14	0.32
	HS-P315-16		16	0.36

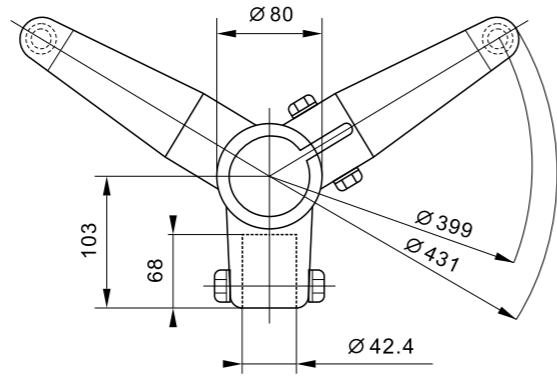
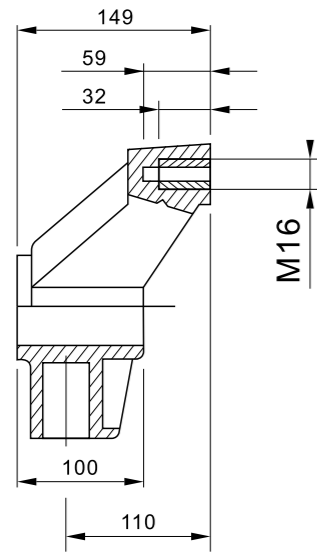


Type	Reference	Material	hole diameter \varnothing mm	Kg
Bipod base	HS-P401A-48.3	Pa66 Nylon +Copper	48.3	1.075
	HS-P401A-50.9		50.9	1.070
	HS-P401A-60.3		60.3	1.025

Accessories



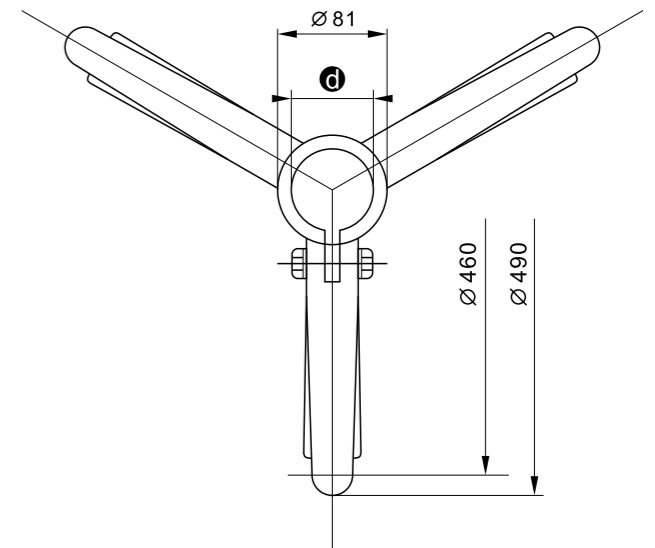
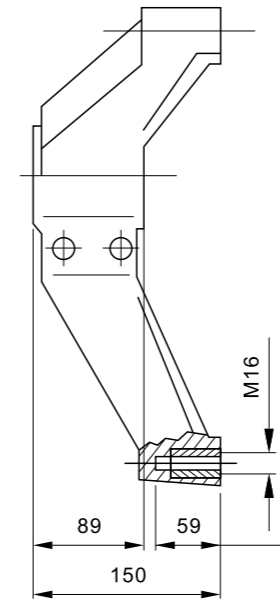
Type	Reference	Material	hole diameter \varnothing mm	Kg
Bipod and a half 120°C base	HS-P402A-48.3	Pa66 Nylon +Copper	48.3	1.290
	HS-P402A-50.9		50.9	1.285
	HS-P402A-60.3		60.3	1.240



Accessories



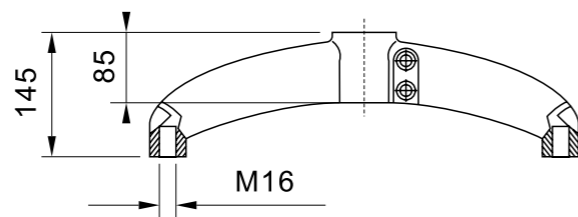
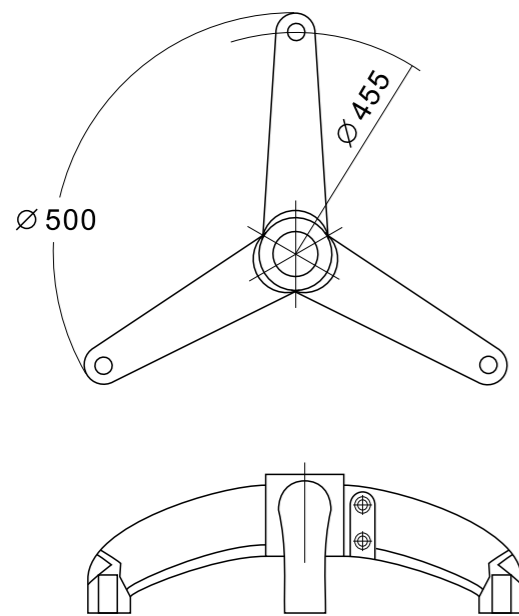
Type	Reference	Material	hole diameter \varnothing mm	Kg
Tripod base	HS-P403A-48.3	Pa66 Nylon +Copper	48.3	1.396
	HS-P403A-50.9		50.9	1.390
	HS-P403A-60.3		60.3	1.380



Accessories



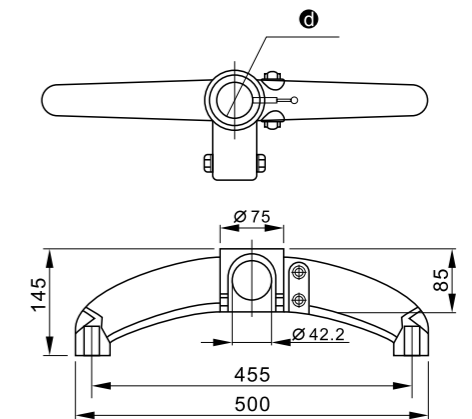
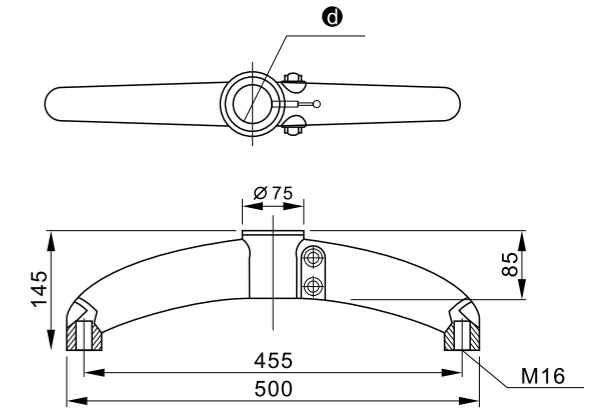
Type	Reference	Material	hole diameter \varnothing mm	Kg
Tripod base B	HS-P403B-48.3	Pa66 Nylon +Copper	48.3	1.396
	HS-P403B-50.9		50.9	1.390
	HS-P403B-60.3		60.3	1.380



Accessories

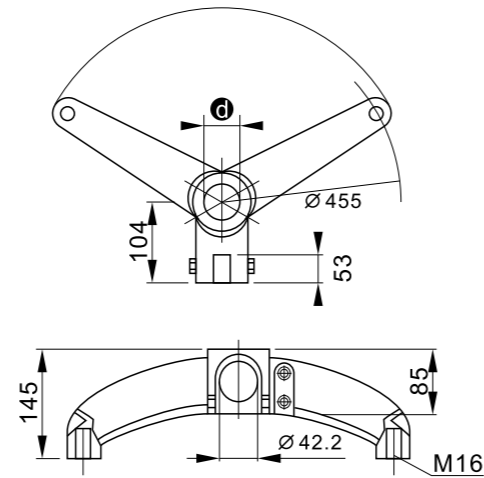


Type	Reference	Material	hole diameter \varnothing mm	Kg
Bipod base	HS-P401B-48.3	Pa66 Nylon +Copper	48.3	1.080
	HS-P401B-50.9		50.9	1.070
	HS-P401B-60.3		60.3	1.030

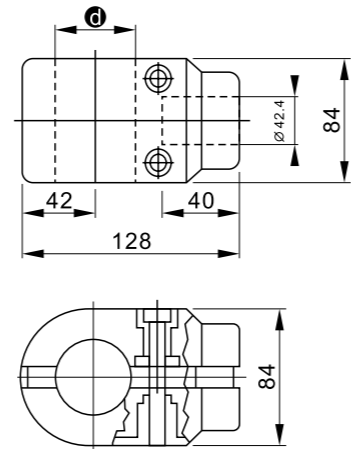


Type	Reference	Material	hole diameter \varnothing mm	Kg
Bipod and a half 180°C base	HS-P402B-48.3	Pa66 Nylon +Copper	48.3	1.290
	HS-P402B-50.9		50.9	1.270
	HS-P402B-60.3		60.3	1.260

Accessories

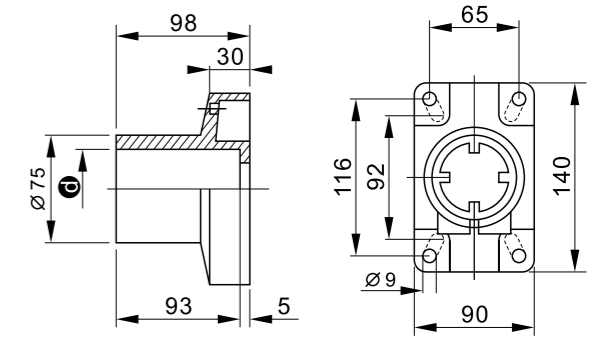


Type	Reference	Material	hole diameter \varnothing mm	Kg
Bipod and a half 120°C base	HS-P402C-48.3	Pa66 Nylon +Copper	48.3	1.290
	HS-P402C-50.9		50.9	1.270
	HS-P402C-60.3		60.3	1.260

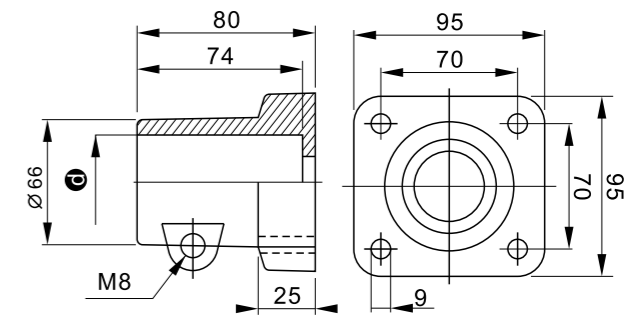


Type	Reference	Material	hole diameter \varnothing mm	Kg
Three-way connector for stabilizer blade	HS-P501-48.3	Pa66 Nylon	48.3	0.292
	HS-P501-50.9		50.9	0.286
	HS-P501-60.3		60.3	0.249

Accessories

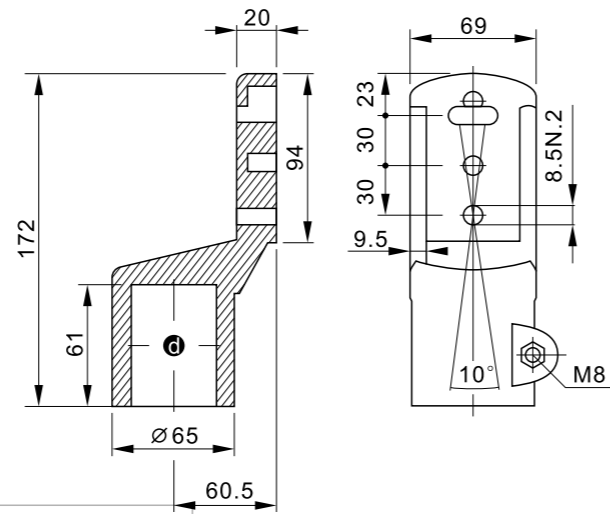


Type	Reference	Material	hole diameter \varnothing mm	Kg
Towing bracket	HS-P502-48.3	Pa66 Nylon	48.3	0.380
	HS-P502-50.9		50.9	0.380
	HS-P502-60.3		60.3	0.350

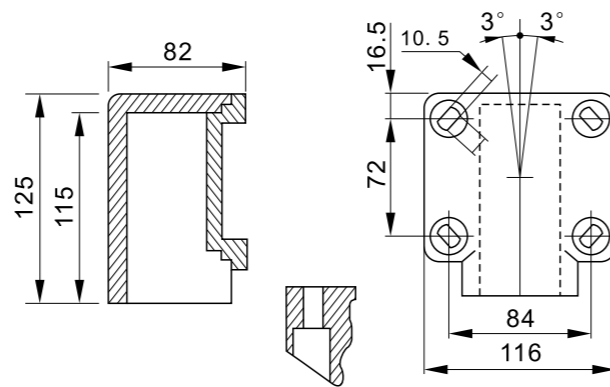


Type	Reference	Material	hole diameter \varnothing mm	Kg
Square towing bracket	HS-P503-48.3	Pa66 Nylon	48.3	0.250
	HS-P503-50.9		50.9	0.240

Accessories

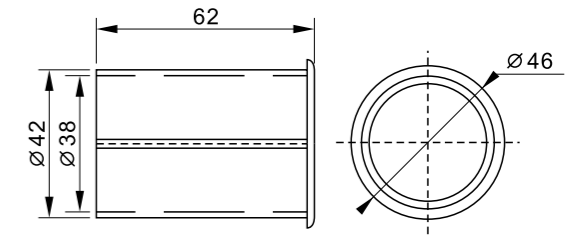


Type	Reference	Material	hole diameter \varnothing mm	Kg
Medium lateral supporter	HS-P504-48.3	Pa66 Nylon	48.3	0.315
	HS-P504-50.9		50.9	0.310

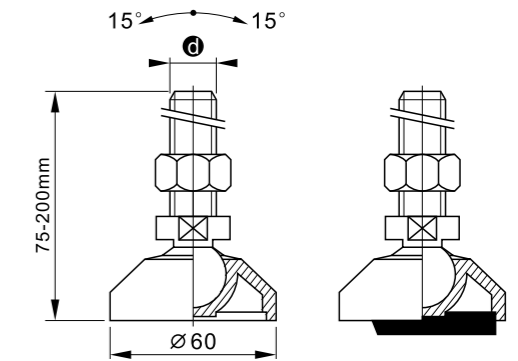


Type	Reference	Material	hole diameter \varnothing mm	Kg
Wide-brimmed lateral tapered end	HS-P505-48.3	Pa66 Nylon	48.3	0.522
	HS-P505-50.9		50.9	0.530
	HS-P505-60.9		60.3	0.492

Accessories

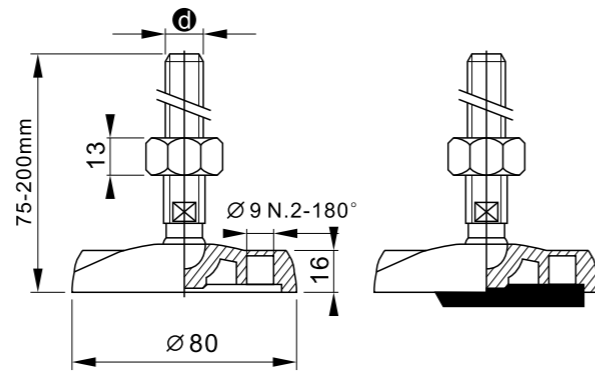


Type	Reference	Material	hole diameter \varnothing mm	Kg
Bushing	HS-P506	Pa66 Nylon	38	0.015

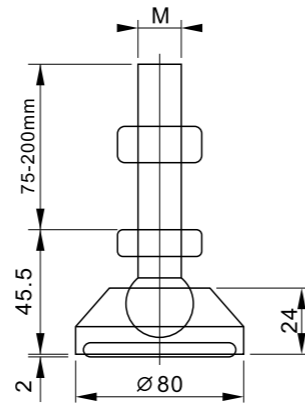


Type	Reference	screw diameter M	screw length L	Material	Kg
Low pin	HS-P700-1650	M16	50	Pa66 Nylon + Various metal bolts	0.26
	HS-P700-1670		75		0.30
	HS-P700-16100		100		0.34
	HS-P700-16150		150		0.40
	HS-P700-20100	M20	100		0.43
	HS-P700-20150		150		0.52
	HS-P700-24100	M24	100		0.60
	HS-P700-24150		150		0.70

Accessories

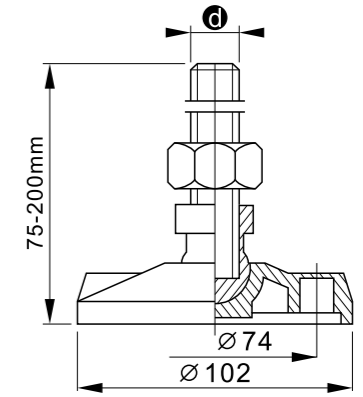


Type	Reference	screw diameter M	screw length L	Material	Kg	
Low pin	HS-P701A-1650	M16	50	Pa66 Nylon +Various metal bolts	0.25	
	HS-P701A-1670		75		0.30	
	HS-P701A-16100		100		0.34	
	HS-P701A-16150		150		0.40	
	HS-P701A-20100	M20	100		0.43	
	HS-P701A-20150		150		0.52	
	HS-P701A-24100		M24		100	0.60
	HS-P701A-24150				150	0.70

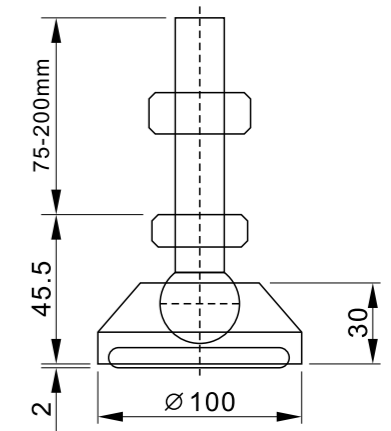


Type	Reference	screw diameter M	screw length L	Material	Kg	
Low pin	HS-P701B-1650	M16	50	Pa66 Nylon +Various metal bolts	0.29	
	HS-P701B-1670		75		0.32	
	HS-P701B-16100		100		0.34	
	HS-P701B-16150		150		0.41	
	HS-P701B-20100	M20	100		0.51	
	HS-P701B-20150		150		0.61	
	HS-P701B-24100		M24		100	0.68
	HS-P701B-24150				150	0.74

Accessories

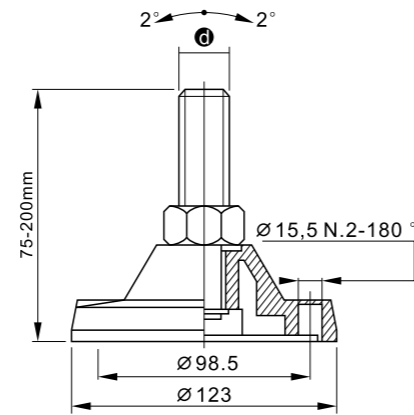


Type	Reference	screw diameter M	screw length L	Material	Kg	
Low pin	HS-P702A-1675	M16	75	Pa66 Nylon +Various metal bolts	0.30	
	HS-P702A-16100		100		0.35	
	HS-P702A-16150		150		0.40	
	HS-P702A-20100		M20		100	0.46
	HS-P702A-20150	150			0.55	
	HS-P702A-24100	M24			100	0.61
	HS-P702A-24150				150	0.70
	HS-P702A-24200	200	0.85			

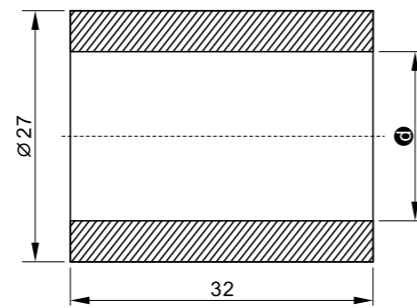
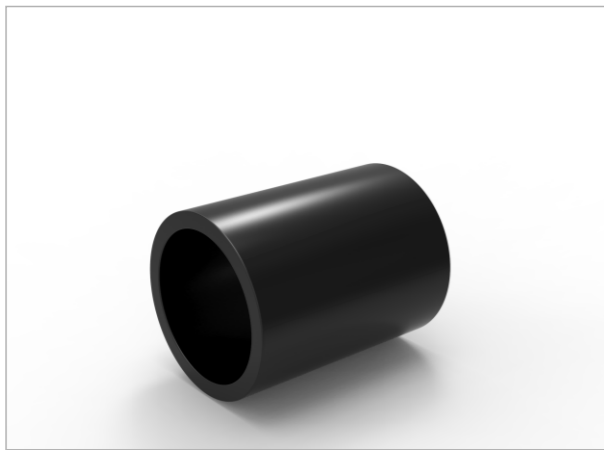


Type	Reference	screw diameter M	screw length L	Material	Kg	
Low pin	HS-P702B-1675	M16	75	Pa66 Nylon +Various metal bolts	0.38	
	HS-P702B-16100		100		0.40	
	HS-P702B-16150		150		0.47	
	HS-P702B-20100		M20		100	0.50
	HS-P702B-20150	150			0.60	
	HS-P702B-24100	M24			100	0.70
	HS-P702B-24150				150	0.80
	HS-P702B-24200	200	0.90			

Accessories

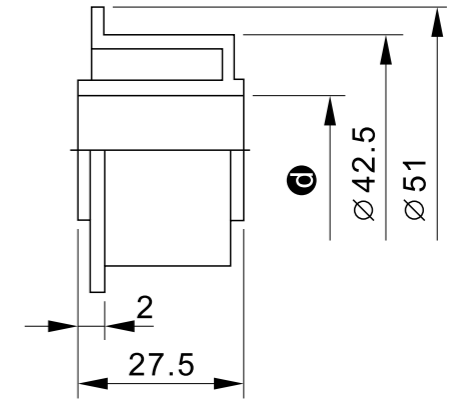
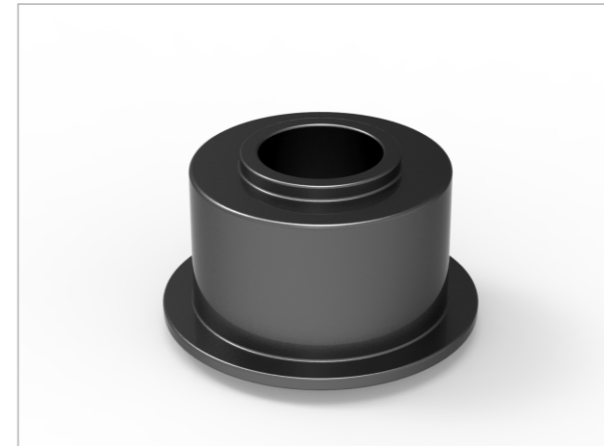


Type	Reference	screw diameter M	screw length L	Material	Kg
Low pin	HS-P703-1675	M16	75	Pa66 Nylon +Various metal bolts	0.45
	HS-P703-16100		100		0.49
	HS-P703-16150		150		0.51
	HS-P703-20100	M20	100		0.62
	HS-P703-20150		150		0.73
	HS-P703-24100	M24	100		0.80
	HS-P703-24150		150		0.85
	HS-P703-24200		200		0.95
	HS-P703-24250		250		1.15

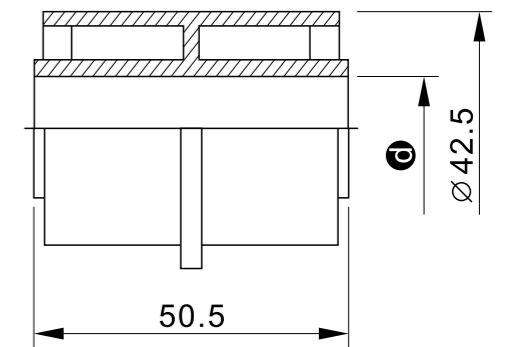
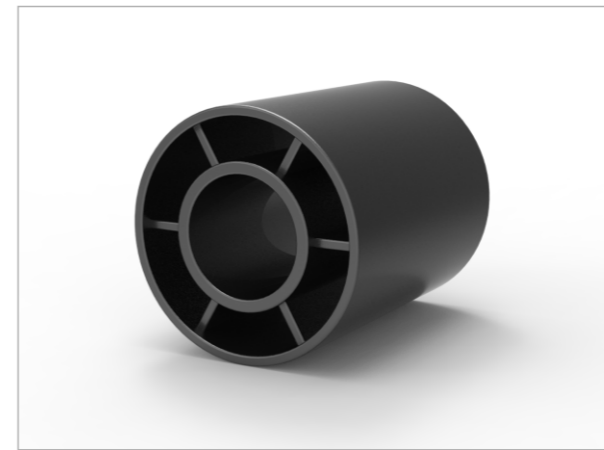
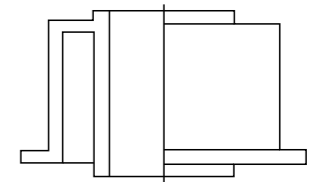


Type	Reference	Material	hole diameter Ø mm	Kg
Towing wheel B-3	HS-P600-16	Nylon	16	0.013
	HS-P600-20		20	0.080

Accessories

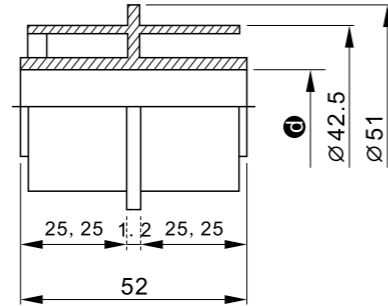


Type	Reference	Material	hole diameter Ø mm	Kg
Towing wheel B-1	HS-P601-16	Nylon	16	0.025
	HS-P601-20		20	0.020

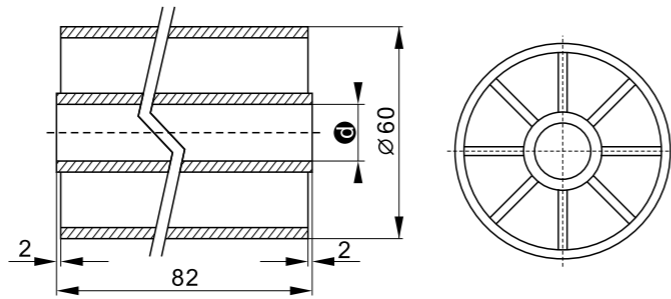
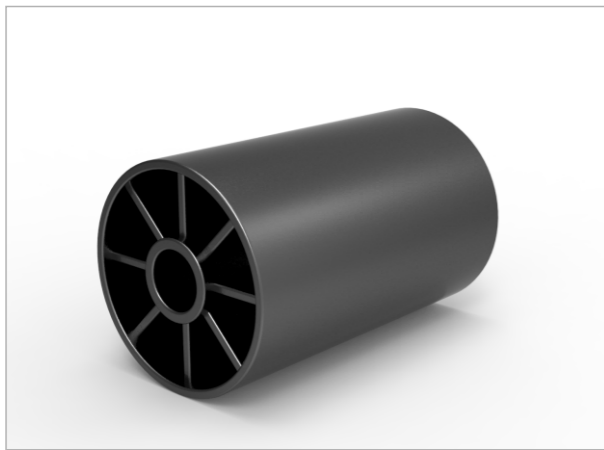


Type	Reference	Material	hole diameter Ø mm	Kg
Towing wheel B-2	HS-P602-16	Nylon	16	0.035
	HS-P602-20		20	0.025

Accessories

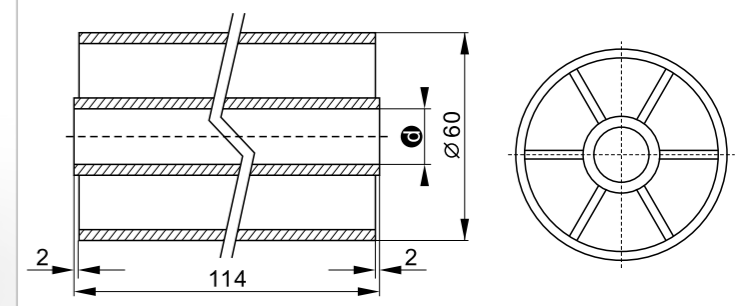


Type	Reference	Material	hole diameter \varnothing mm	Kg
Towing wheel B-4	HS-P612-16	Nylon	16	0.040
	HS-P612-20		20	0.030

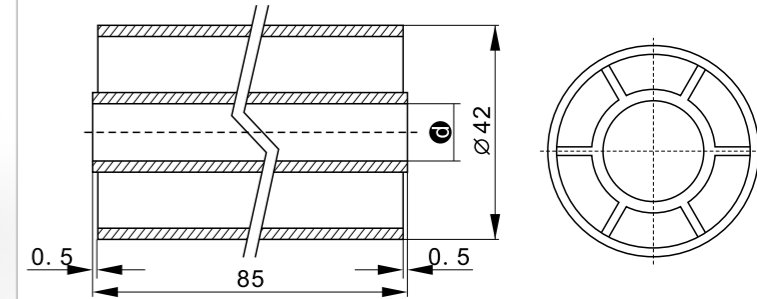


Type	Reference	Material	hole diameter \varnothing mm	Kg
Towing wheel C	HS-P604-16	Nylon	16	0.090
	HS-P604-20		20	0.086

Accessories

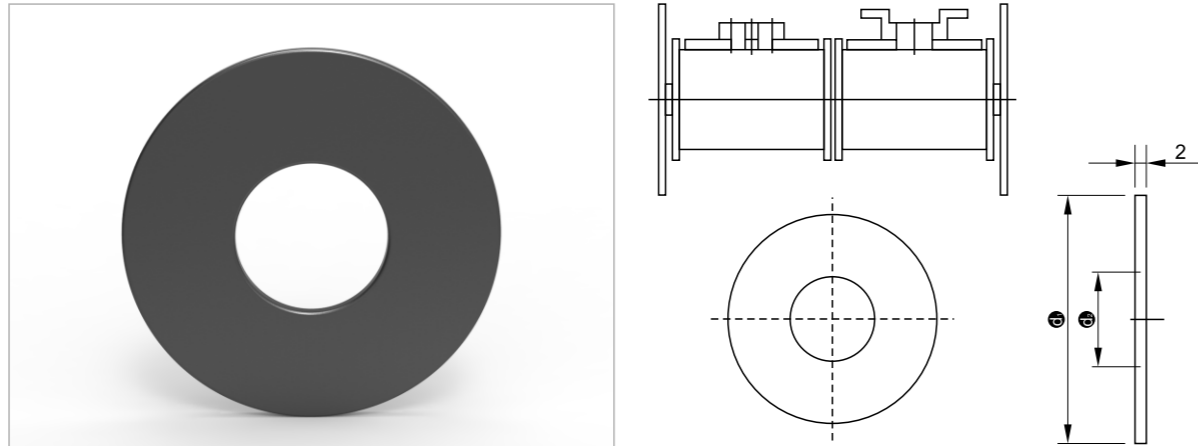


Type	Reference	Material	hole diameter \varnothing mm	Kg
Towing wheel D	HS-P605-16	Nylon	16	0.120
	HS-P605-20		20	0.110

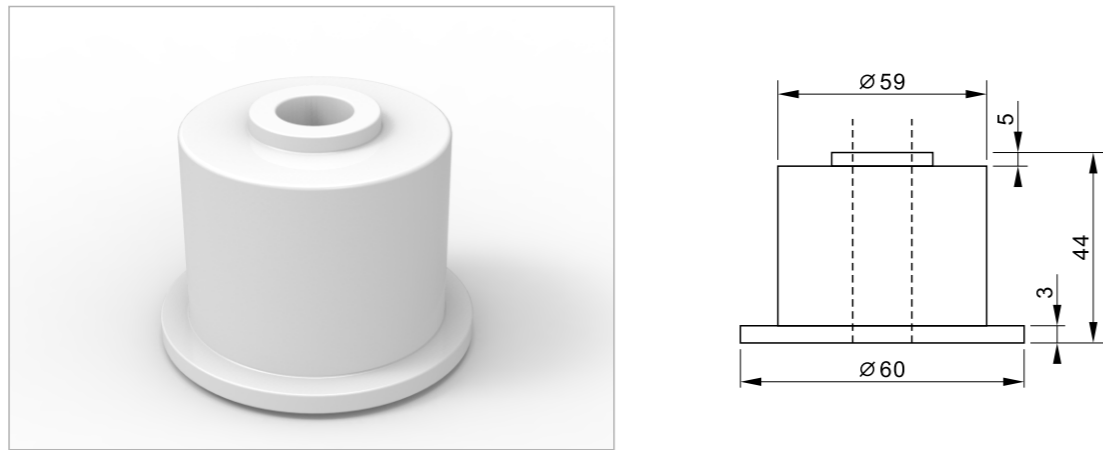


Type	Reference	Material	hole diameter \varnothing mm	Kg
Towing wheel G	HS-P610-16	Nylon	16	0.073
	HS-P610-20		20	0.060

Accessories

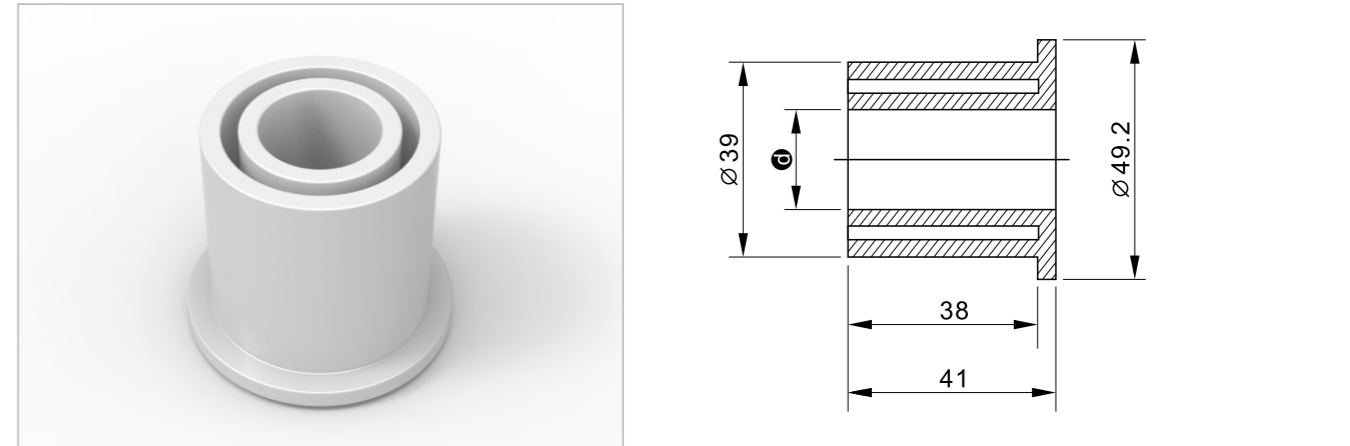


Type	Reference	Material	hole diameter ① mm	Kg
Towing wheel C. D.G catch	HS-P606-16	Nylon	16	0.012
	HS-P606-20		20	0.010

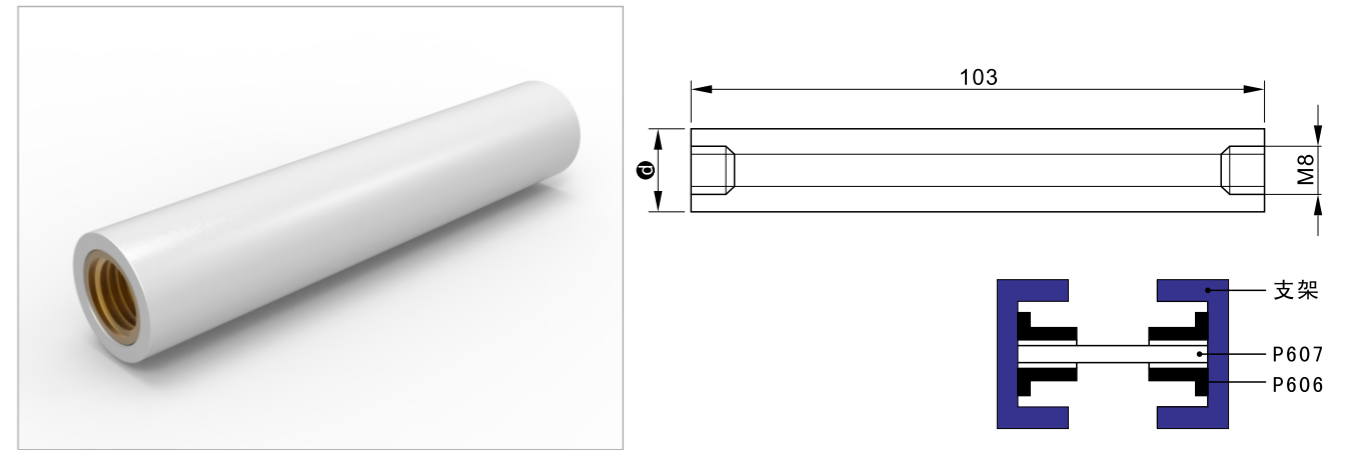


Type	Reference	Material	hole diameter ① mm	Kg
Towing wheel A	HS-P603-16	PE polyethylene	16	0.040
	HS-P603-20		20	0.035

Accessories

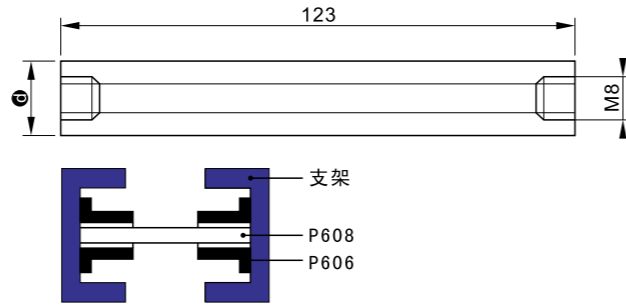


Type	Reference	Material	hole diameter ① mm	Kg
Towing wheel E	HS-P607-16	PE polyethylene	16	0.030
	HS-P607-20		20	0.025



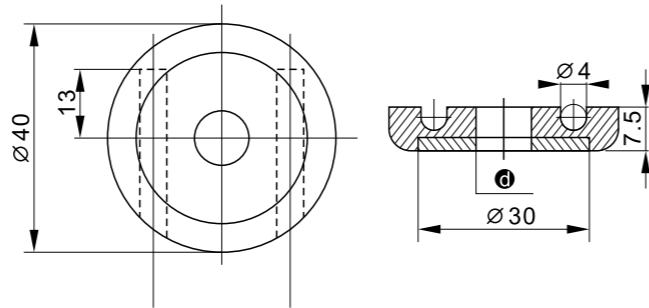
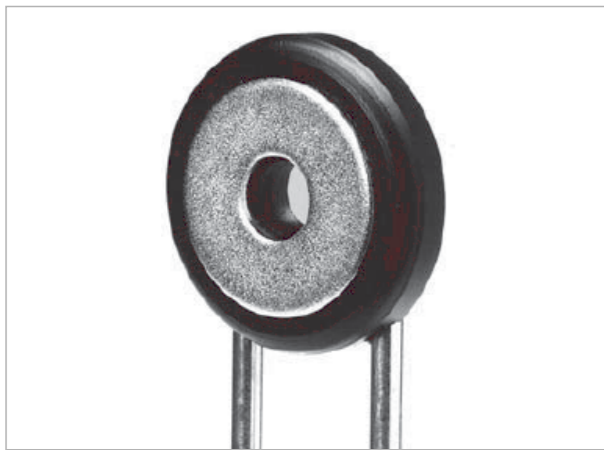
Type	Reference	Material	hole diameter ① mm	Kg
Support shaft B	HS-P608	PE polyethylene	20	0.11

Accessories



Type	Reference	Material	hole diameter \varnothing mm	Kg
Support shaft B	HS-P609	PE polyethylene	20	0.11

suitable for 114.3mm width plastic chains

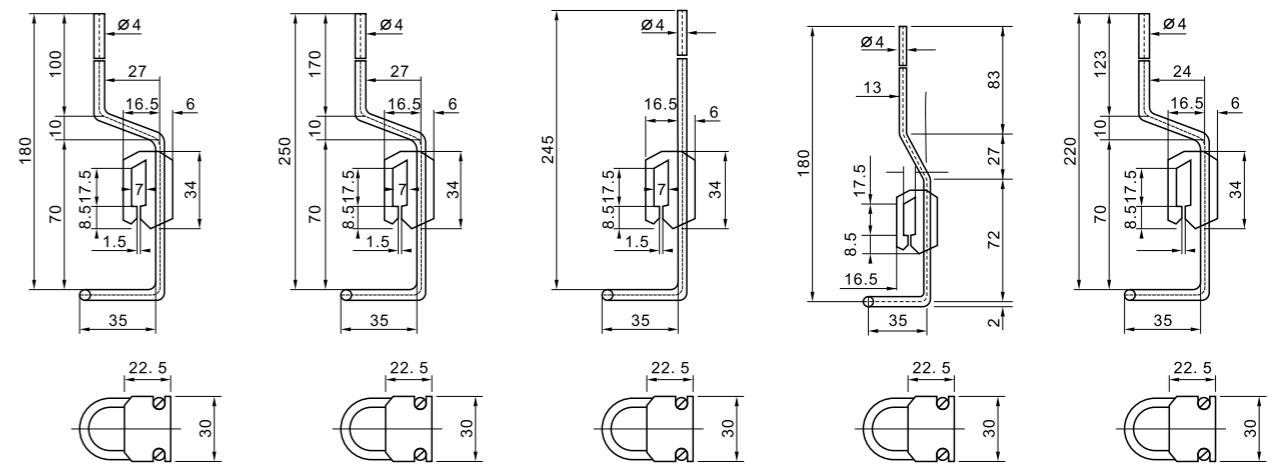
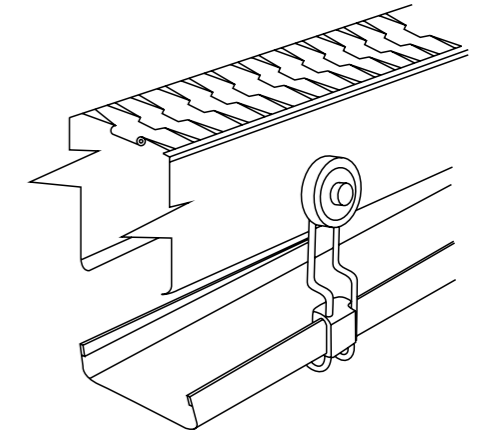


Type	Reference	Material	hole diameter \varnothing mm	Kg
Sink hanger head	HS-P620	Pa6 Nylon	10	0.075

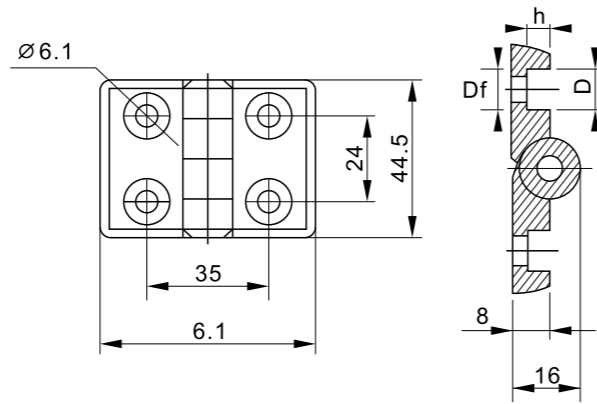
Accessories



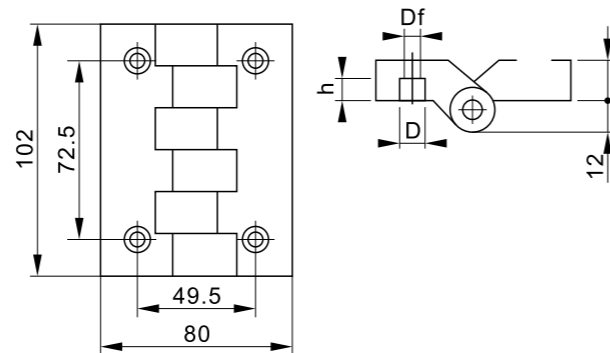
Type	Reference	Length
Sink hanger	HS-P621-250	180mm
	HS-P621-253	250mm
	HS-P621-255	245mm
	HS-P621-257	180mm
	HS-P621-251	220mm



Accessories

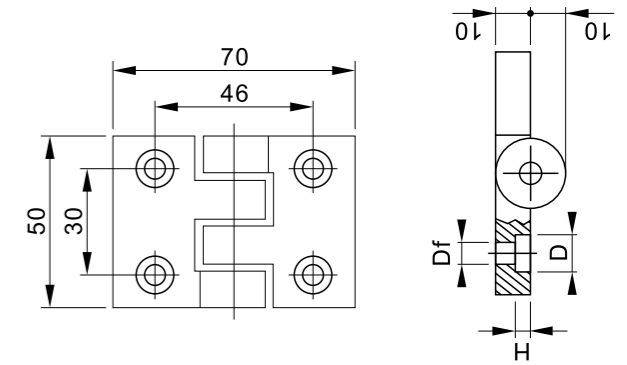


Type	Reference	Fixing screw	Df mm	D mm	h mm	Kg
Hinge C	HS-P801	M6	Ø6.5	Ø10.5	4.5	0.031

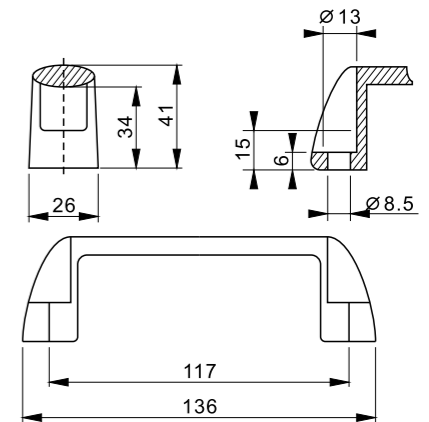


Type	Reference	Fixing screw	Df mm	D mm	h mm	Kg
Hinge A	HS-P802-6	M6	Ø6.5	Ø10.5	4.5	0.031
	HS-P802-8	M8	Ø8.5	Ø13.2	6	0.031

Accessories



Type	Reference	Fixing screw	Df mm	D mm	h mm	Kg
Hinge B	HS-P803	M6	Ø6.5	Ø10.5	6	0.031

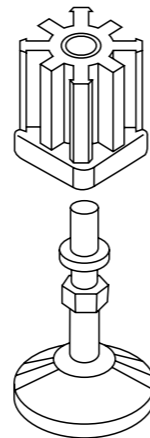
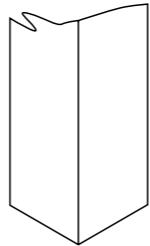
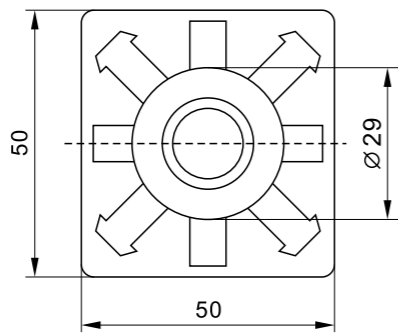
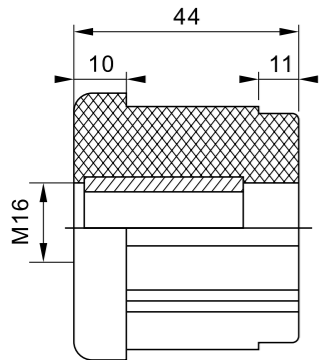


Type	Reference	Colour	Kg	Material
Medium-sized toothless handle	HS-P807	Black	0.07	Strengthened nylon PA6 embedded piece is copper

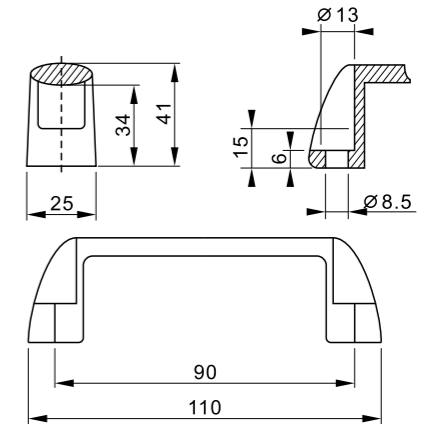
Accessories



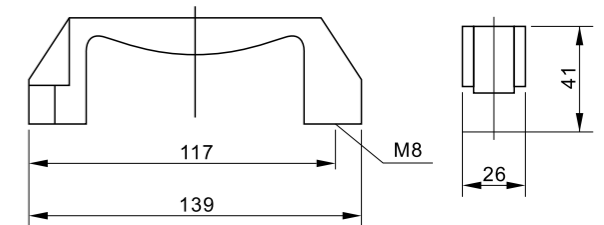
Type	Reference	(Diam)	Tubing outer dia	Thickness	Kg	Material
Threaded Tube Ends For Square Tube	HS-P804-3010	M10	□ 30	1.75	300	Strengthened nylon PA6 embedded piece is copper
	HS-P804-3012	M12				
	HS-P804-3512	M12	□ 35	1.5	400	
	HS-P804-3516	M16				
	HS-P804-3812	M12	□ 28	1.5, 1.75	500	
	HS-P804-3816	M16				
	HS-P804-3820	M20				
	HS-P804-4012	M12	□ 40	1.25, 1.5 1.75	700	
	HS-P804-4016	M16				
	HS-P804-5016	M16	□ 50	1.5, 1.75	1000	
HS-P804-5020	M20					
HS-P804-5020	M20					



Accessories

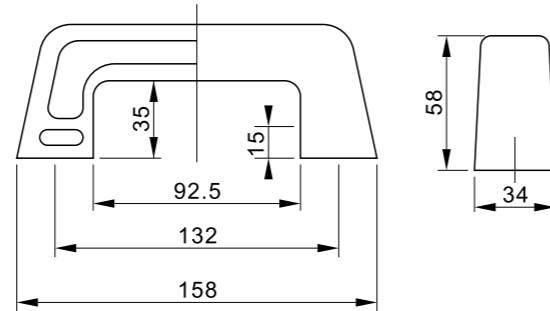


Type	Reference	Colour	Kg	Material
Medium-sized toothless handle	HS-P809	Black	0.07	Strengthened nylon PA6 embedded piece is copper

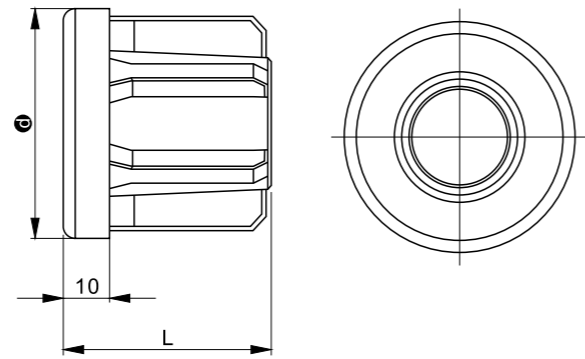


Type	Reference	Colour	Kg	Material
Medium-sized tooth handle	HS-P810	Black	0.07	Strengthened nylon PA6 embedded piece is copper

Accessories

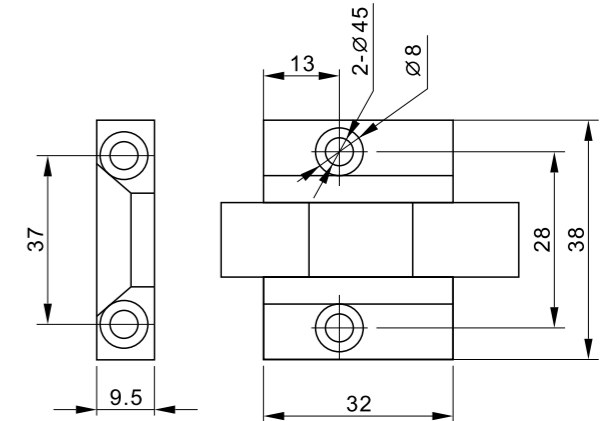


Type	Reference	Colour	Kg	Material
Large-sized tooth handle	HS-P811	Black	0.12	Strengthened nylon PA6 embedded piece is copper

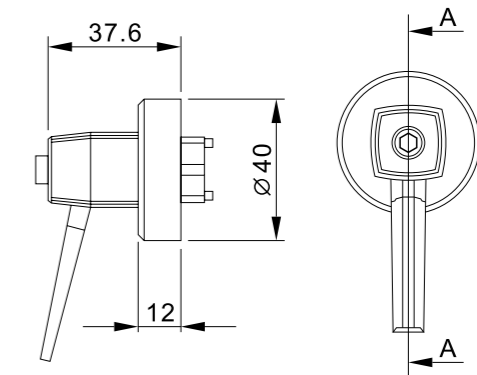


Type	Reference	Diam	Length (L)mm	Tubing outer dia	Thickness	Kg	Kg	Material
Round tube foot strap	HS-P805-4812	M12	45	⊙ 48	1.75	0.048	500	Strengthened nylon PA6 embedded piece is copper
	HS-P805-4813	M16	45					
	HS-P805-4820	M20	45					
	HS-P805-5013	M16	54	⊙ 50	1.5	0.060	1000	
	HS-P805-5020	M20	54					

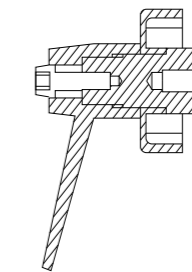
Accessories



Type	Reference
Door lock	HS-P812



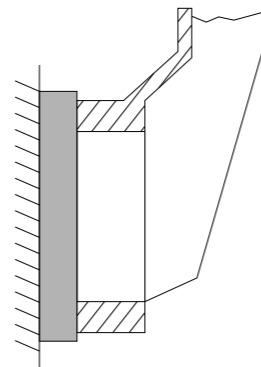
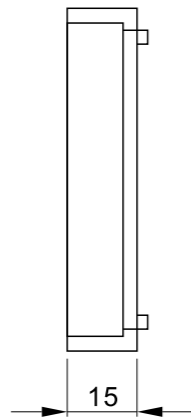
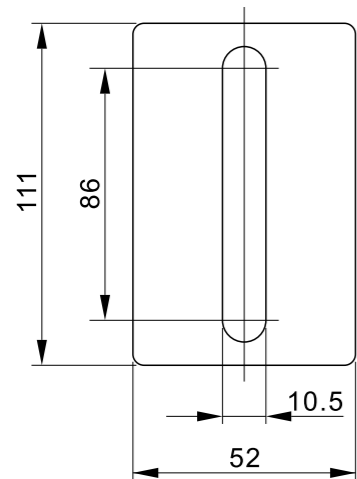
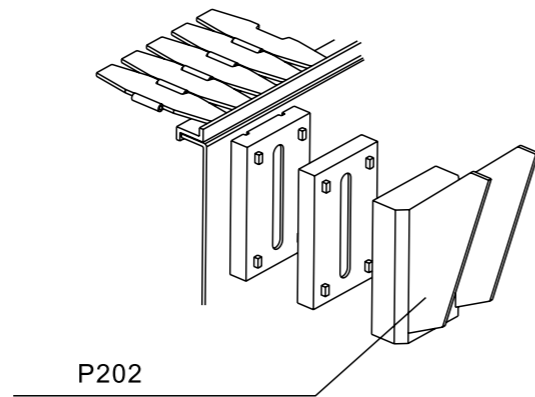
Type	Reference
Rotatable door lock	HS-P813



Accessories



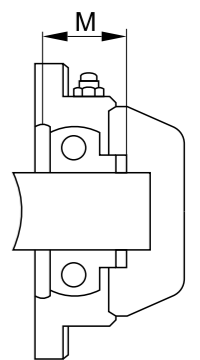
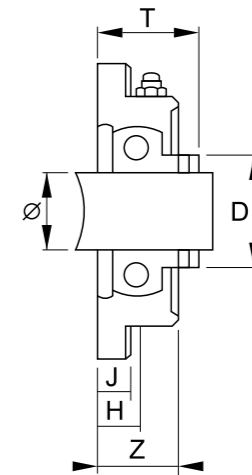
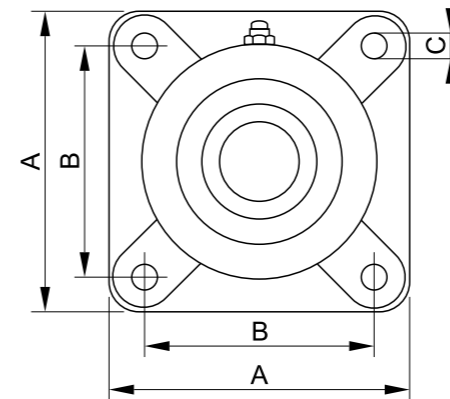
Type	Reference	Kg
Cushion block	HS-P815	0.06



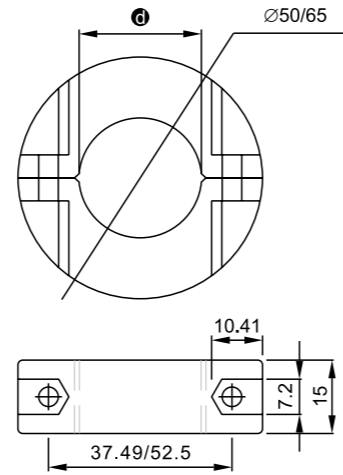
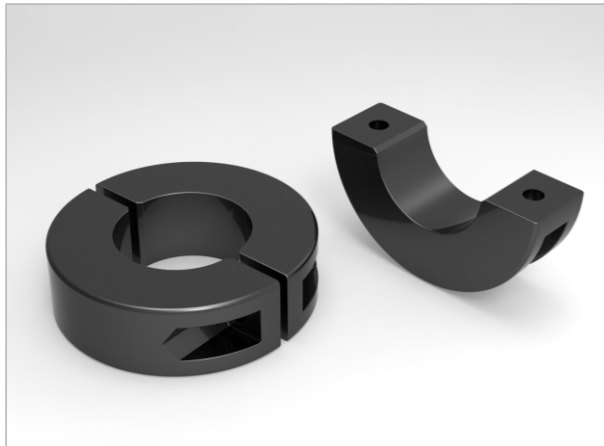
Accessories



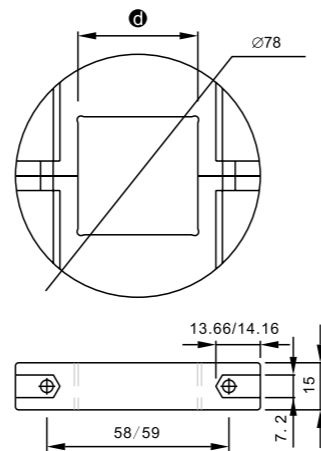
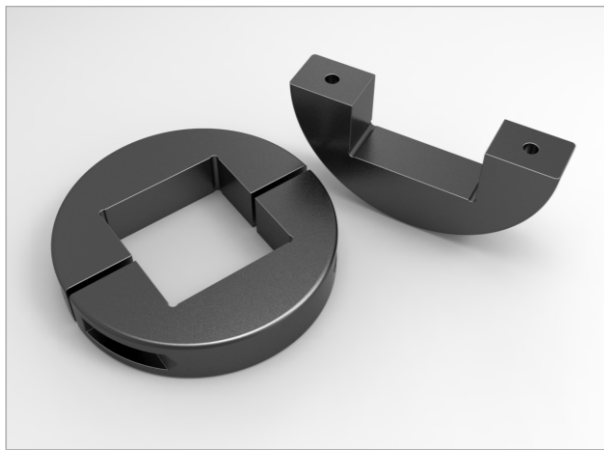
Type	Reference	dia ⌀ mm	A	B	C	H	J	T	Z	M	Material
Square plastic bearing sleeve	HS-P920-LS-205	25	95	70	11	17	14.3	34	28.5	34	Reinforced plastics
	HS-P920-LS-206	30	107	83	11	19	14.3	39.7	31.5	38.1	
	HS-P920-LS-207	35	118	92	13	21.5	15.5	44.9	34.5	42.9	
	HS-P920-LS-208	40	130	102	14	23	17	51.2	36.5	49.2	



Accessories

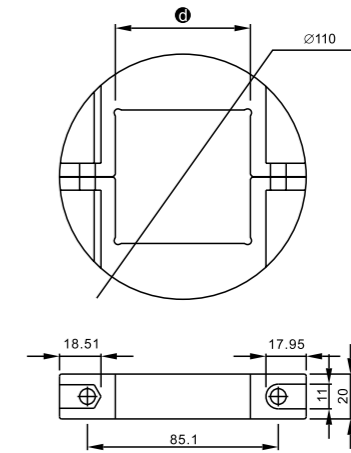
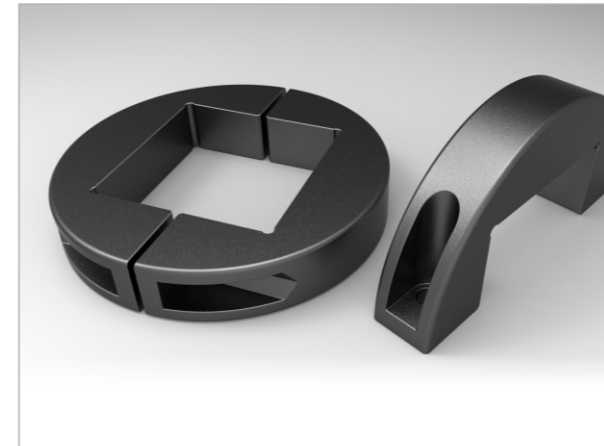


Type	Reference	dia ⌀ mm	Colour	Material
Round fixed shaft sleeve	HS-P910-25	25.1	Black	Nylon Pa6+ Stainless bolt
	HS-P910-30	30.1		
	HS-P910-35	35.1		
	HS-P910-40	40.1		

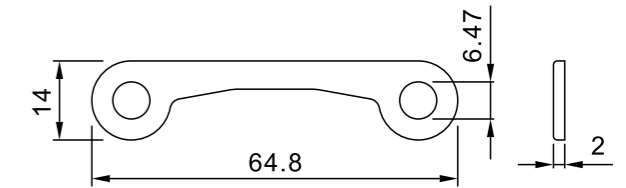


Type	Reference	dia ⌀ mm	Colour	Material
Square fixed shaft sleeve	HS-P912-38	38.2	Black	Nylon Pa6+ Stainless bolt
	HS-P912-40	40.2		

Accessories

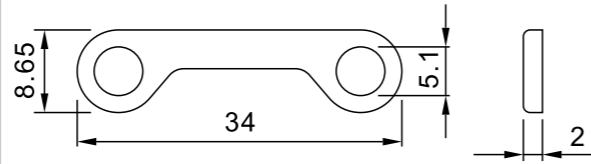


Type	Reference	dia ⌀ mm	Colour	Material
Square fixed shaft sleeve	HS-P914-60	60.2	Black	Nylon Pa6+ Stainless bolt

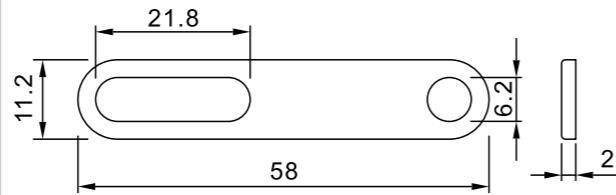


Type	Reference	Material	Colour
Strengthened iron links	HS-P100	stainless steel	Silvery

Accessories

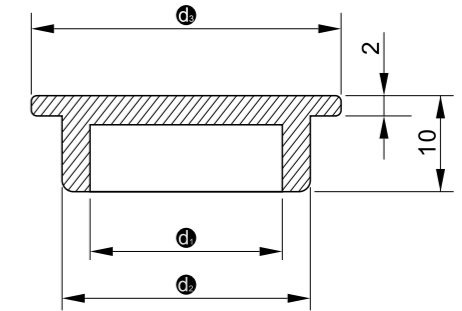


Type	Reference	Material	Colour
Strengthened iron links	HS-P200(500)	stainless steel	Silvery

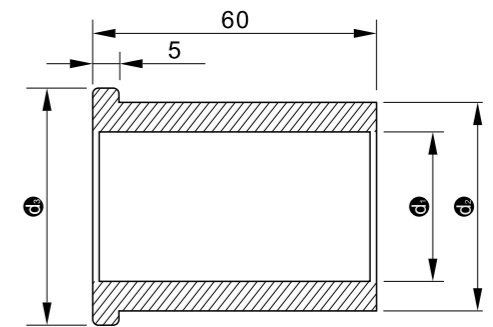
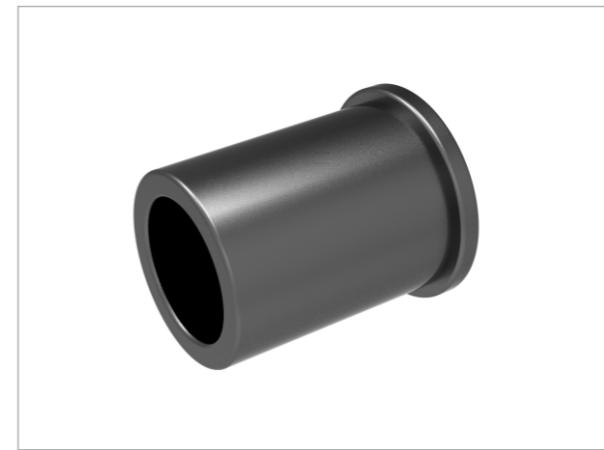


Type	Reference	Material	Colour
Strengthened iron links	HS-P300B-HD	stainless steel	Silvery

Accessories

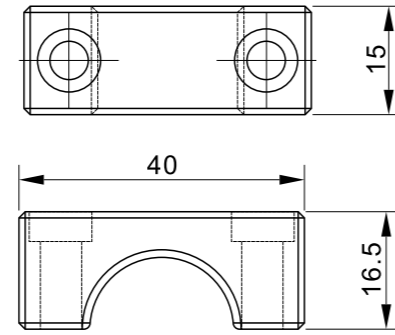


Type	Reference	d ₁	d ₂	d ₃	Colour	Kg	Material
Plastic seal head	HS-P961A	14	20	24	Black	0.0035	Nylon
	HS-P961B	20	26	32	Black	0.0050	Nylon

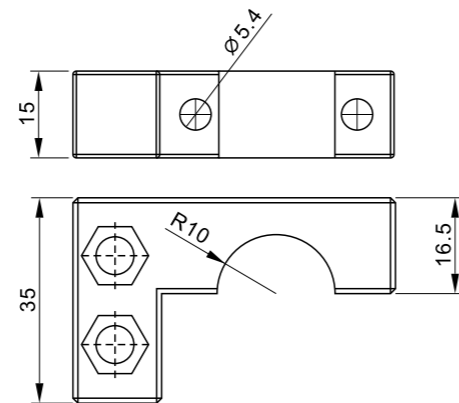


Type	Reference	d ₁	d ₂	d ₃	Colour	Kg	Material
Plastic seal head	HS-P962	32	44	50	Black	0.063	Nylon

Accessories

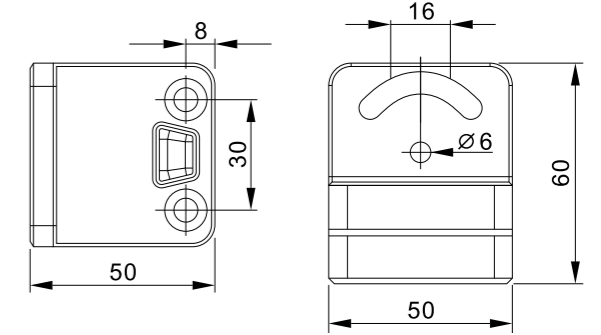


Type	Reference	Colour	Kg	Material
Fixed seat	HS-P968	Black	0.010	Nylon

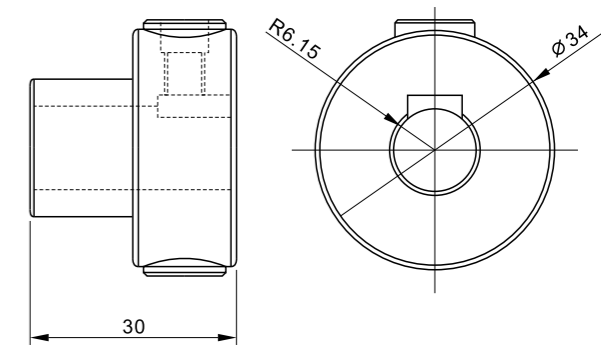
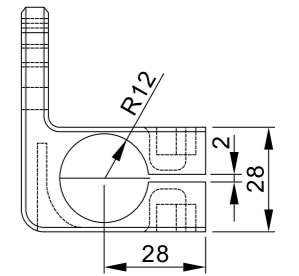


Type	Reference	Colour	Kg	Material
Fixed seat	HS-P969	Black	0.018	Nylon

Accessories

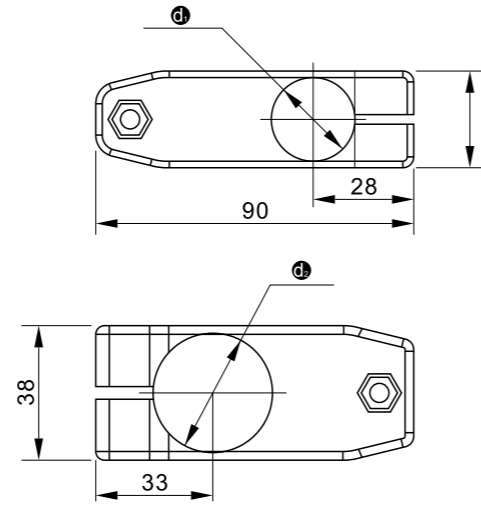


Type	Reference	Colour	Kg	Material
Fixed seat	HS-P963	Black	0.063	Nylon

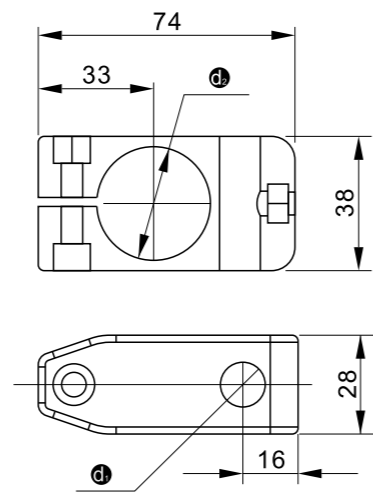


Type	Reference	Colour	Kg	Material
Fixed seat	HS-P967	Black	0.022	Nylon

Accessories



Type	Reference	d ₁	d ₂	Colour	Kg	Material
Cross connection head	HS-P965	24	32	Black	0.063	Nylon

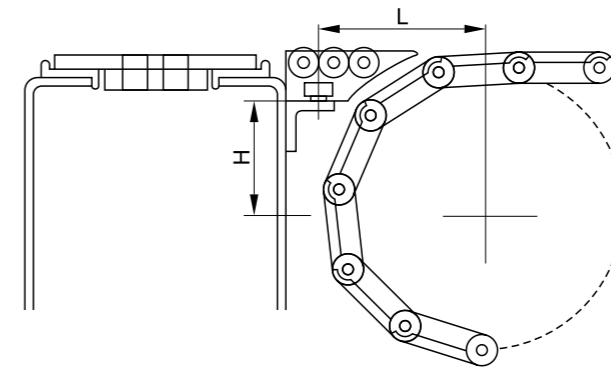
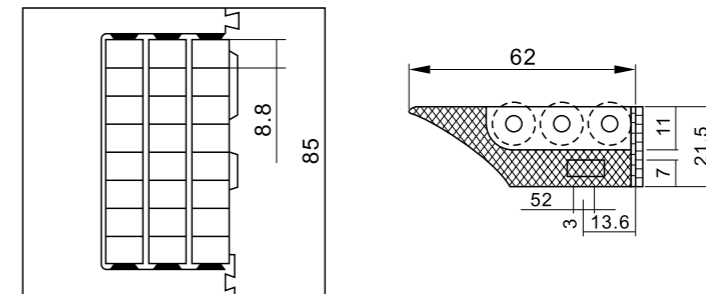


Type	Reference	d ₁	d ₂	Colour	Kg	Material
Cross connection head	HS-P966	24	32	Black	0.057	Nylon

Accessories



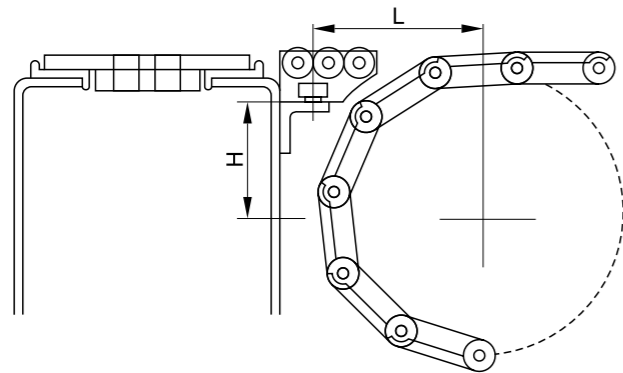
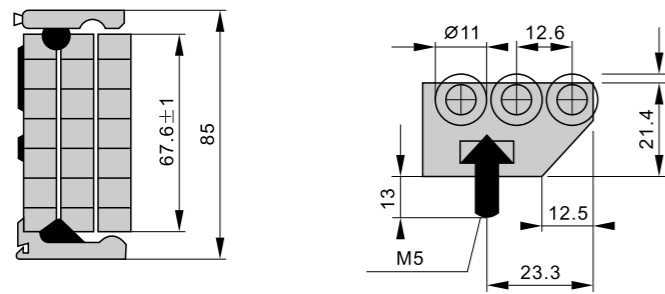
Type	Reference	Material	Kg
Roller Transfer	HS-P930-1	Polyformaldehyde + stainless steel (POM+SUS)	0.076



Accessories



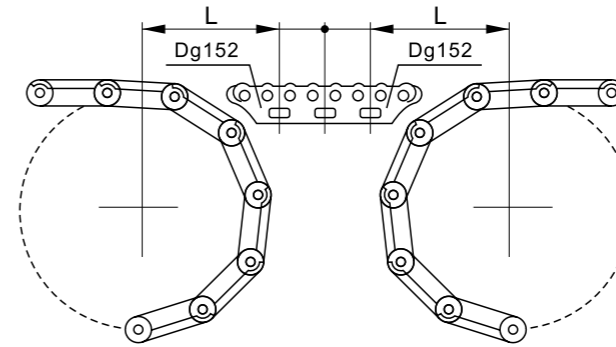
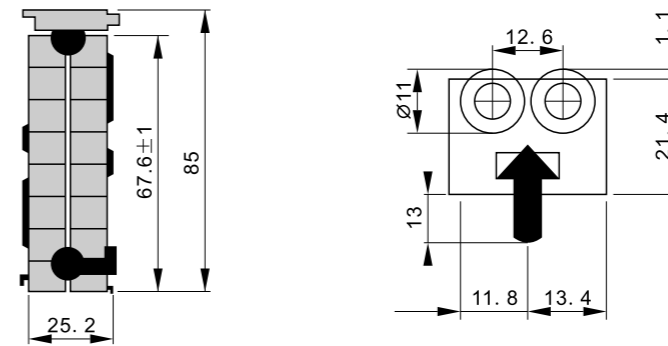
Type	Reference	Material	Kg
Roller Transfer	HS-P931	Polyformaldehyde + stainless steel (POM+SUS)	0.068



Accessories



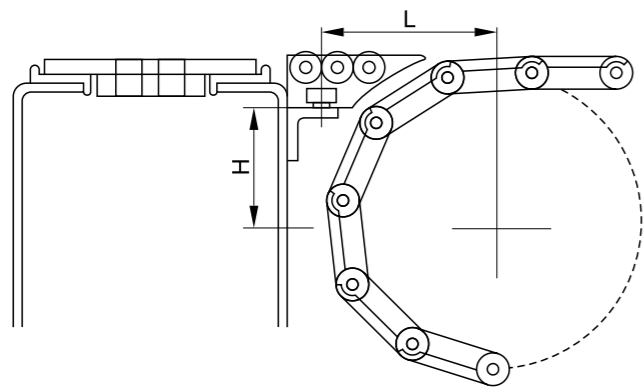
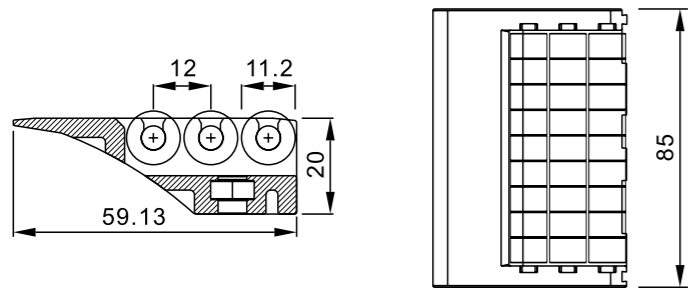
Type	Reference	Material	Kg
Roller Transfer	HS-P932-1	Polyformaldehyde + stainless steel (POM+SUS)	0.050



Accessories



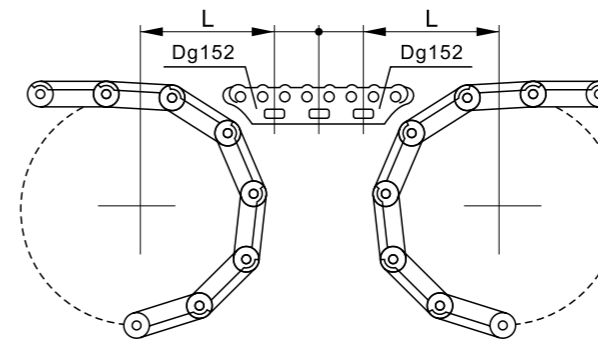
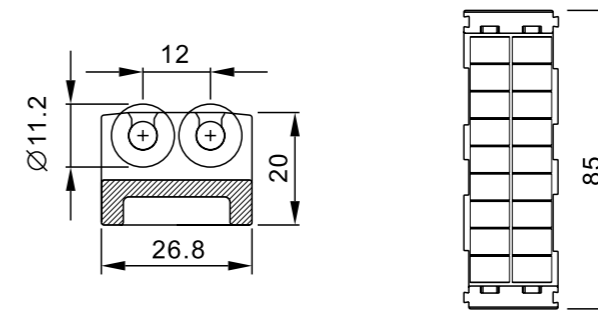
Type	Reference	Material	Kg
Roller Transfer	HS-P930-2	Polyformaldehyde + stainless steel (POM+SUS)	0.076



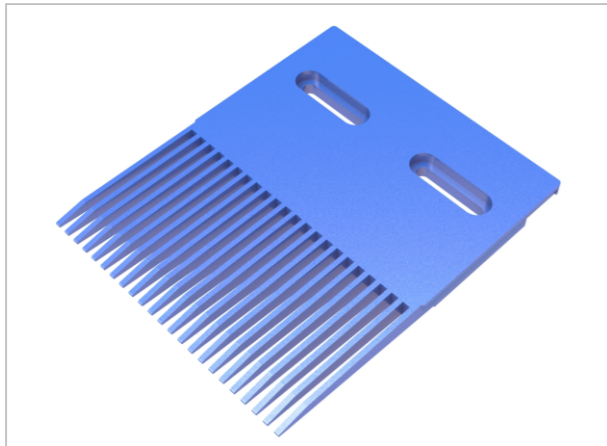
Accessories



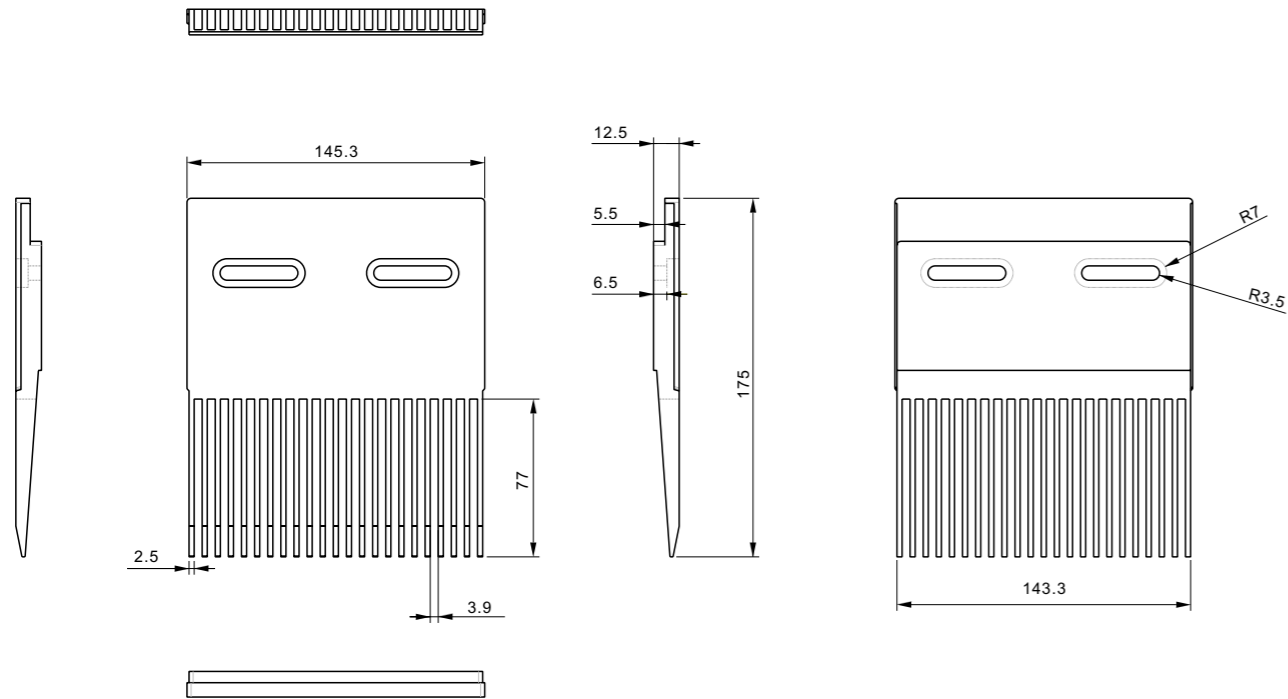
Type	Reference	Material	Kg
Roller Transfer	HS-P932-2	Polyformaldehyde + stainless steel (POM+SUS)	0.050



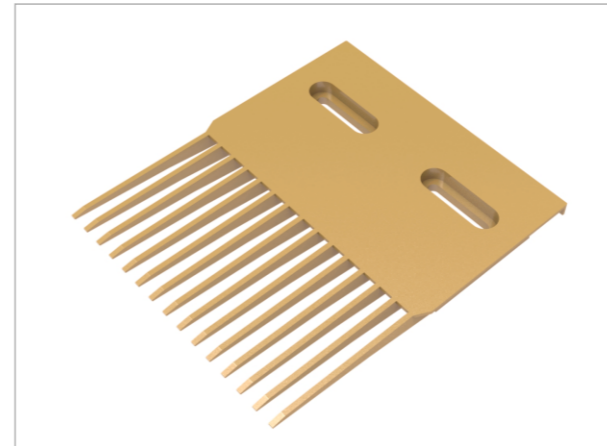
Accessories



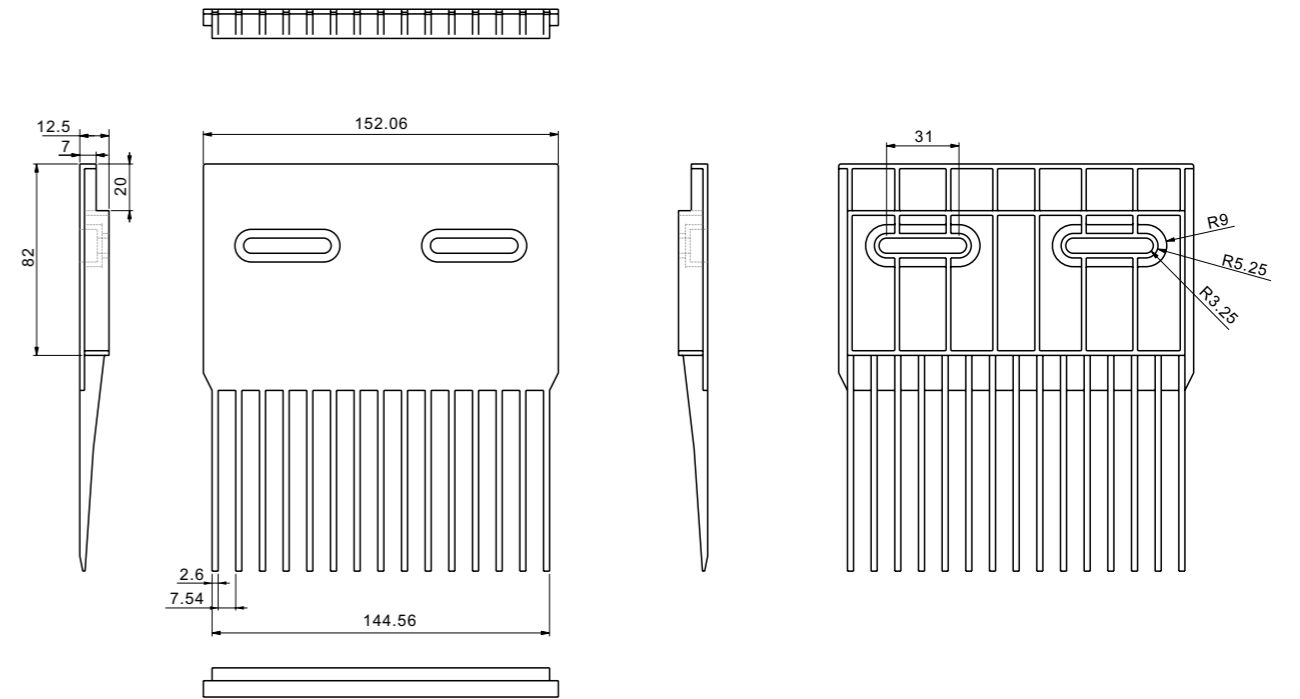
Type	Reference	Colour	Material
Comb-type connection board	HS-P901D	Blue	Plastic steel board



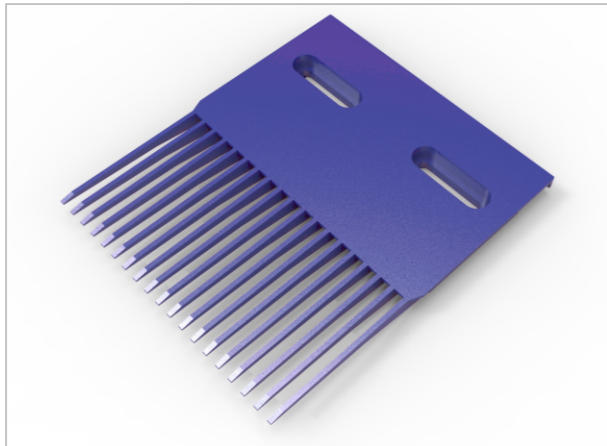
Accessories



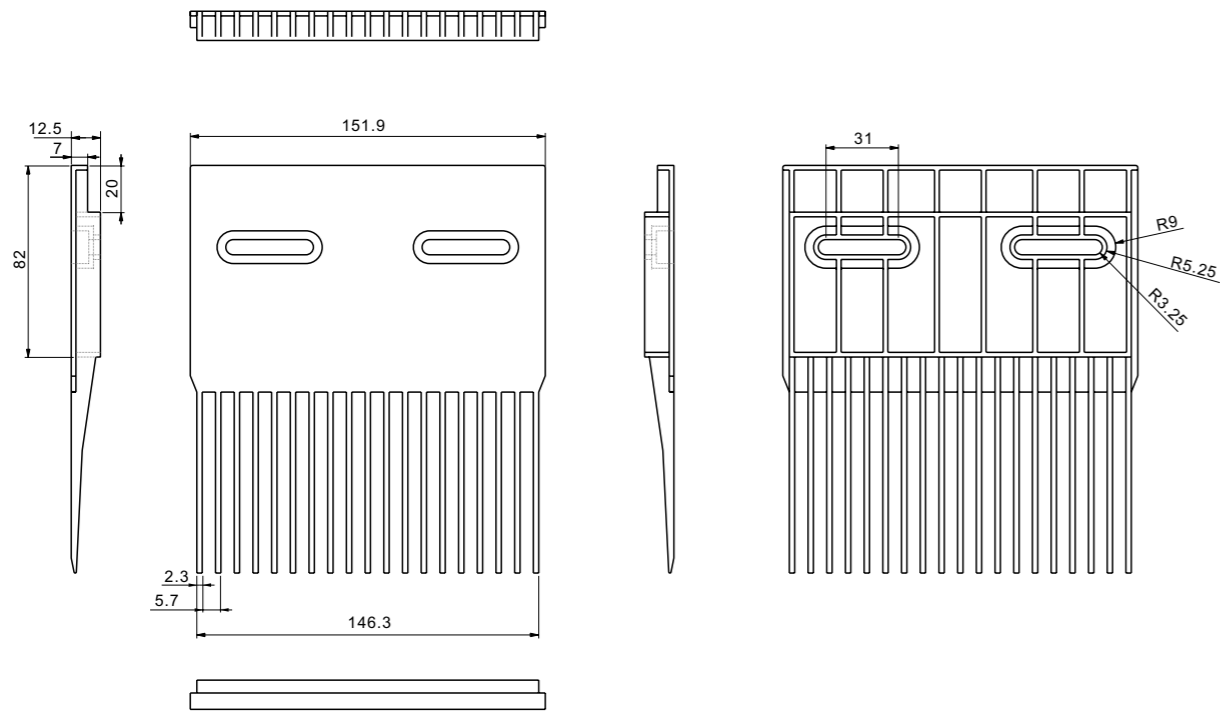
Type	Reference	Colour	Material
Comb-type connection board	HS-P600B	Brown	Plastic steel board



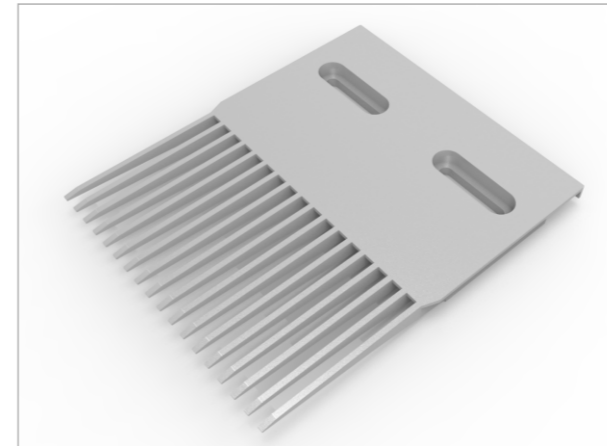
Accessories



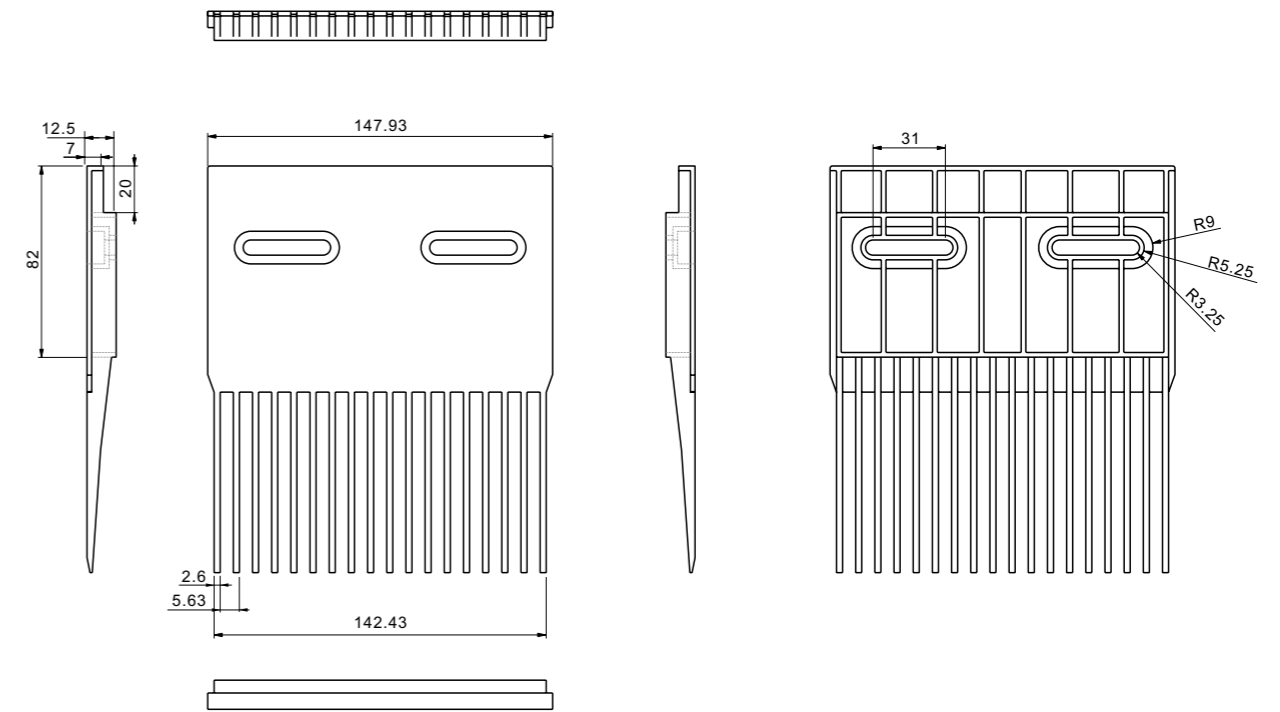
Type	Reference	Colour	Material
Comb-type connection board	HS-P701B	Blue	Plastic steel



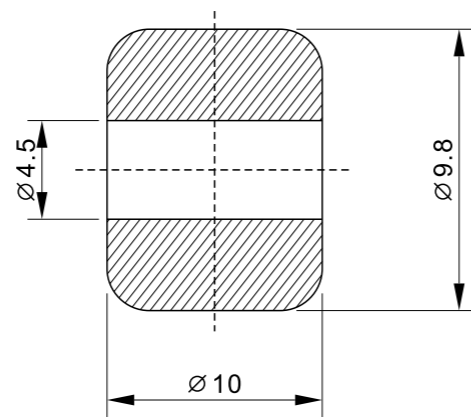
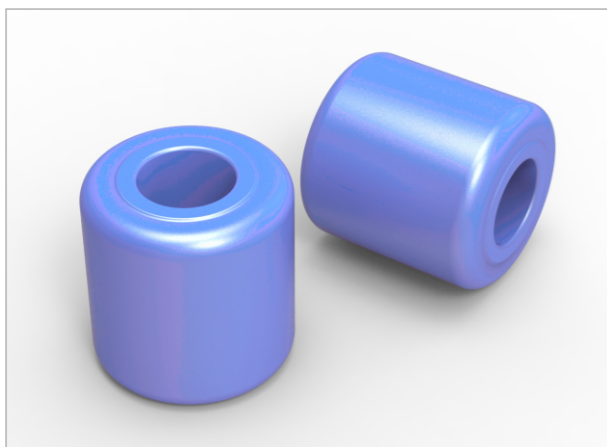
Accessories



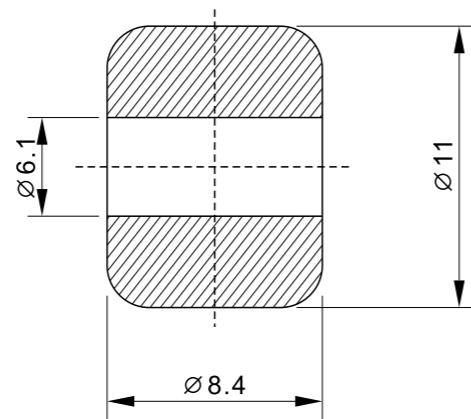
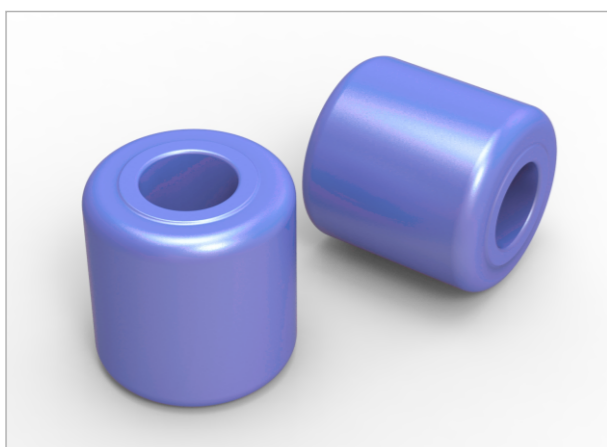
Type	Reference	Colour	Material
Comb-type connection board	HS-P2500D	Gray	Plastic steel



Accessories

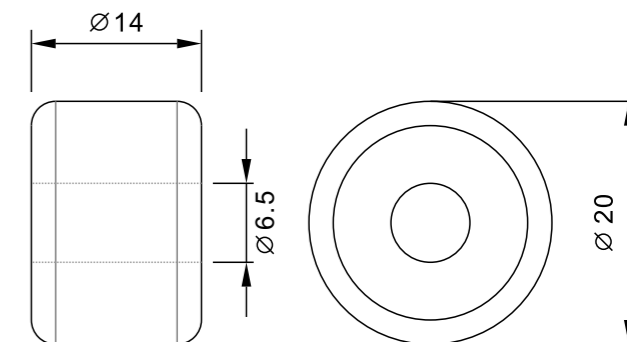
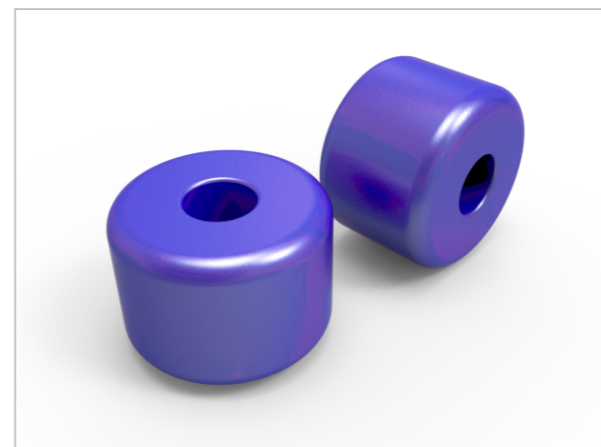


Type	Reference	Colour	Material
Transition ball	HS-P950	Blue	Polyformaldehyde(POM)

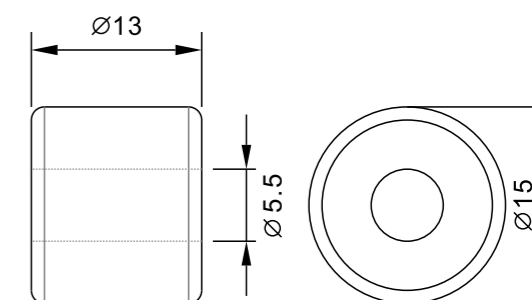


Type	Reference	Colour	Material
Transition ball	HS-P951	Blue	Polyformaldehyde(POM)

Accessories

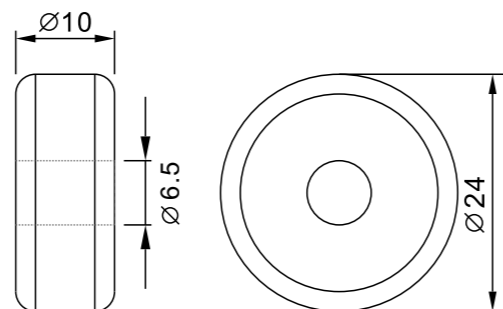


Type	Reference	Colour	Material
Transition ball	HS-P100	Blue	Polyformaldehyde(POM)

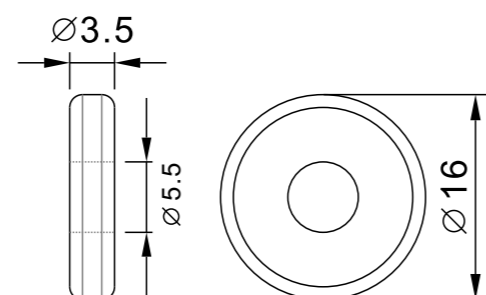


Type	Reference	Colour	Material
Transition ball	HS-P200	Blue	Polyformaldehyde(POM)

Accessories

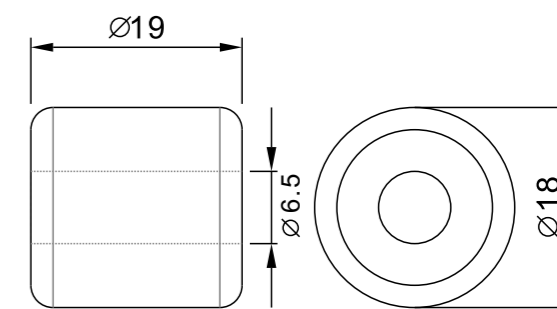


Type	Reference	Colour	Material
Transition ball	HS-P300	Blue	Polyformaldehyde(POM)

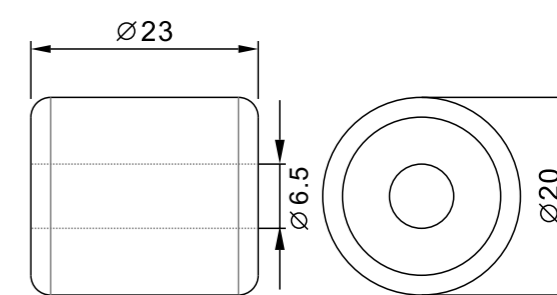


Type	Reference	Colour	Material
Transition ball	HS-P500	Blue	Polyformaldehyde(POM)

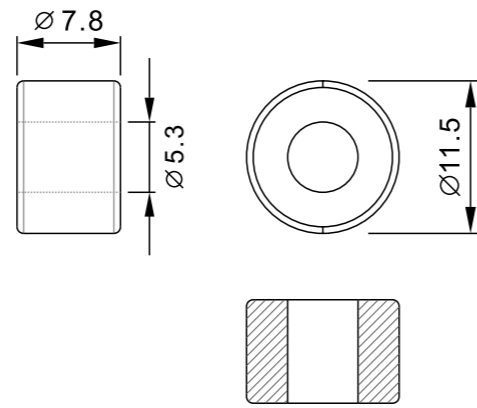
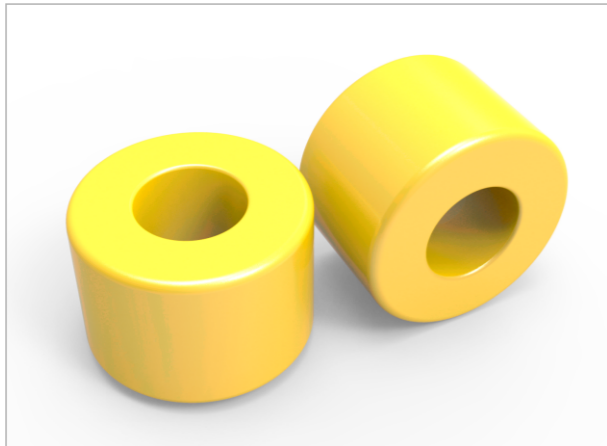
Accessories



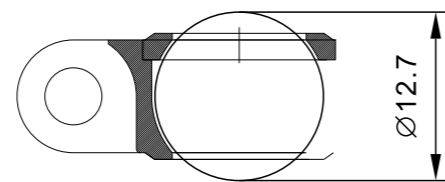
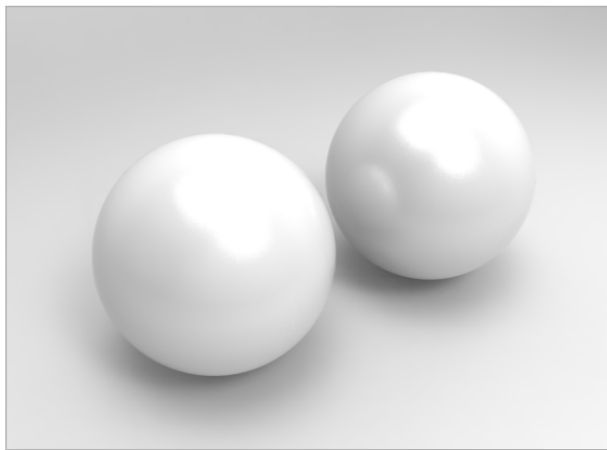
Type	Reference	Colour	Material
Transition ball	HS-P501	Blue	Polyformaldehyde(POM)



Type	Reference	Colour	Material
Transition ball	HS-P900	Blue	Polyformaldehyde(POM)



Type	Reference	Colour	Material
Transition ball	HS-P1100	Yellow	Polyformaldehyde(POM)



Type	Reference	Colour	Material
Transition ball	HS-P2800	White	Polyformaldehyde(POM)