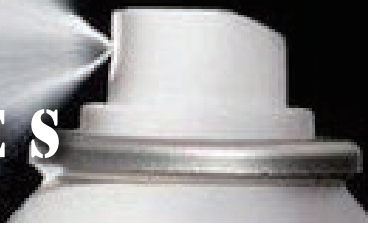


SUNSCREEN SPRAY & MOISTURIZING SERIES



NV037



NV012



NV038



NV007



NV009



NV010



NV024



NV023



NV021

1 inch



9 colors printing



NV25.4E



NV25.4D

Filling Quantities FEA	Dimensions (MM)
150ML	45*150/45*155
200ML	50*155/53*140
250ML	53*180

B.O.V Filling Quantities FEA	Dimensions (MM)
150ML	45*150/45*155
200ML	50*155/53*140
250ML	53*180



MOUSSE BODY WASH SERIES



NV016



NV015



NV013



NV021

1 inch



9 colors printing



NV039



Break the tamper-evident tap



Release the content



NV25.4D

Filling Quantities FEA	Dimensions (MM)
350ML	66*160



NASAL SPRAY SERIES



NV25.4D

Filling Quantities FEA	Dimensions (MM)
50ML	35*100
80ML	35*135
100ML	45*120



NV25.4E

B.O.V Filling Quantities FEA	Dimensions (MM)
100ML	45*150



1 inch



9 colors printing



NV019





ORAL SPRAY SERIES

20mm



9 colors printing



NV20A



NV036

Filling Quantities FEA	Dimensions (MM)
20ML	25*80



SACRED OIL SERIES



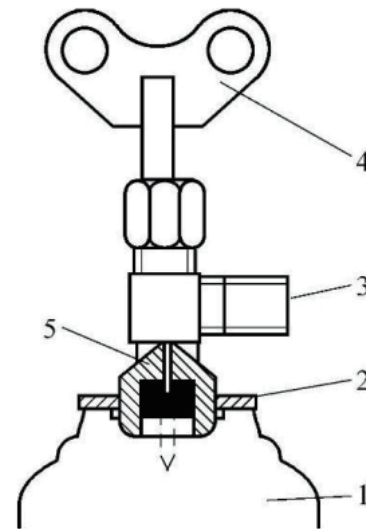
NV20A

20mm



9 colors printing

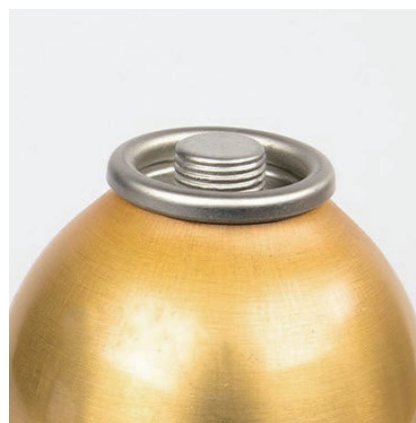
Filling Quantities FEA	Dimensions (MM)
10ML	22 * 58



- 1- Refrigerant bottle
- 2- Fastening nut
- 3- Injection valve
- 4- Handle
- 5- Piercing Needle

Filling Quantities FEA	Dimensions (MM)
200g	59*180
200g	66*150

9 colors printing





FIRE EXTINGUISHER SERIES

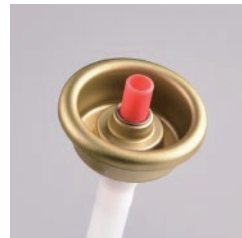
1 inch

9 colors printing



NV020

+



NV25.4B



NV006



NV005

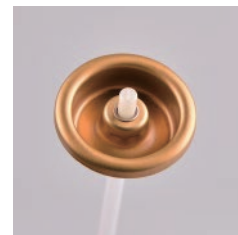


NV001



NV004

+



NV25.4D



NV002



NV003

Filling Quantities FEA	Dimensions (MM)
500ML	66*230/66*240

B.O.V Filling Quantities FEA	Dimensions (MM)
500ML	66*240



NV25.4E



BUTANE CANISTER SERIES



9 colors printing



+



NV25.4A

Filling Quantities FEA	Dimensions (MM)
200g	66*179
300g	66*240



COOKING OIL SERIES

1 inch



9 colors printing



NV017



Atomized Spray



Direct Spray



NV25.4E

B.O.V Filling Quantities FEA	Dimensions (MM)
120ML	45*150
150ML	45*155/50*155
200ML	53*180



OXYGEN CAN SERIES

1 inch



9 colors printing



NVBF02



Dimensions
(MM)

66*240



ALUMINUM OIL CAN

1 inch



9 colors printing



CP3625BLA



Dimensions
(MM)

45*155



COVER



NV018



NV035



NV034



NV031



NV026



NV032



NV029



NV027



NV028



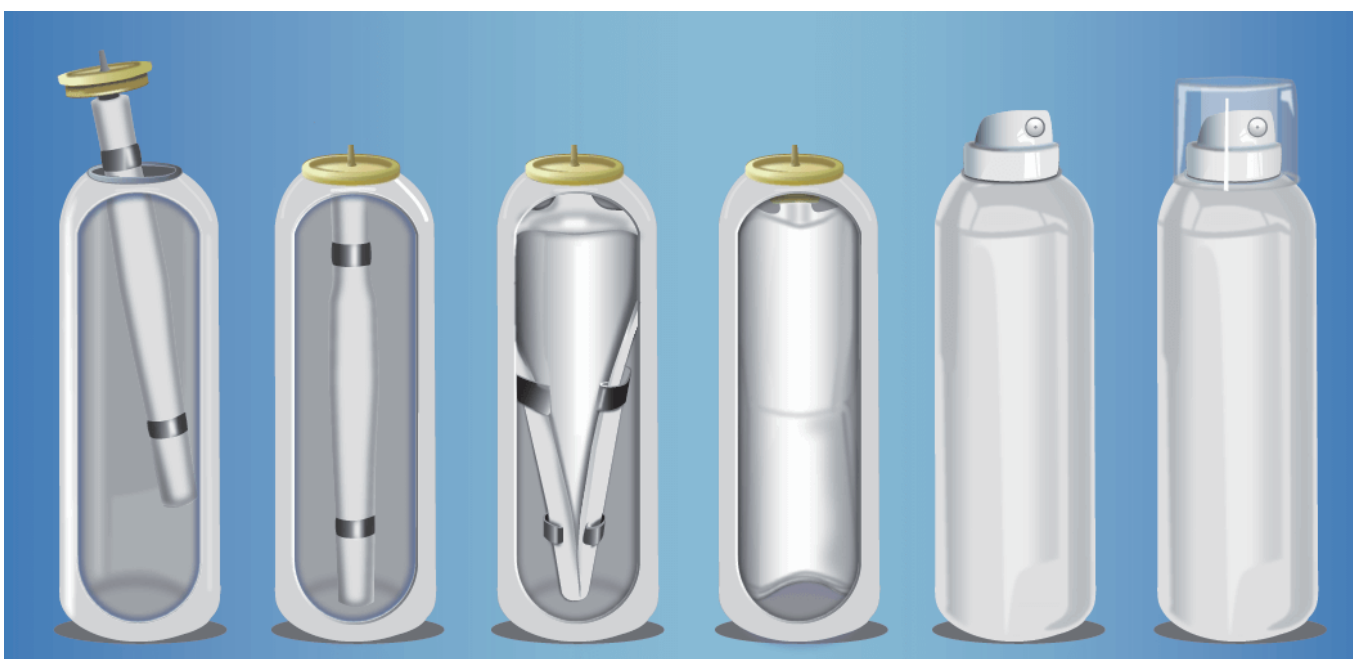
NV033



For more cover please contact our sales

WHAT IS BAG ON VALVE?

- Bag-on-valve (BOV) aerosol is a superior spray dispensing system, with modern packaging that improves cosmetic, medical or food products.
- Compared to traditional aerosol spray technology (and other alternative packaging), BOV has several benefits, for manufacturers, consumers and the environment.



B.O.V Filling Quantities FEA	Dimensions (MM)
120ml	45*150
150ml	45*155/50*155
200ml	53*180
300ml	53*241
500ml	66*240

