

THERMO MACHINES



Officina Meccanica Sestese S.p.A.

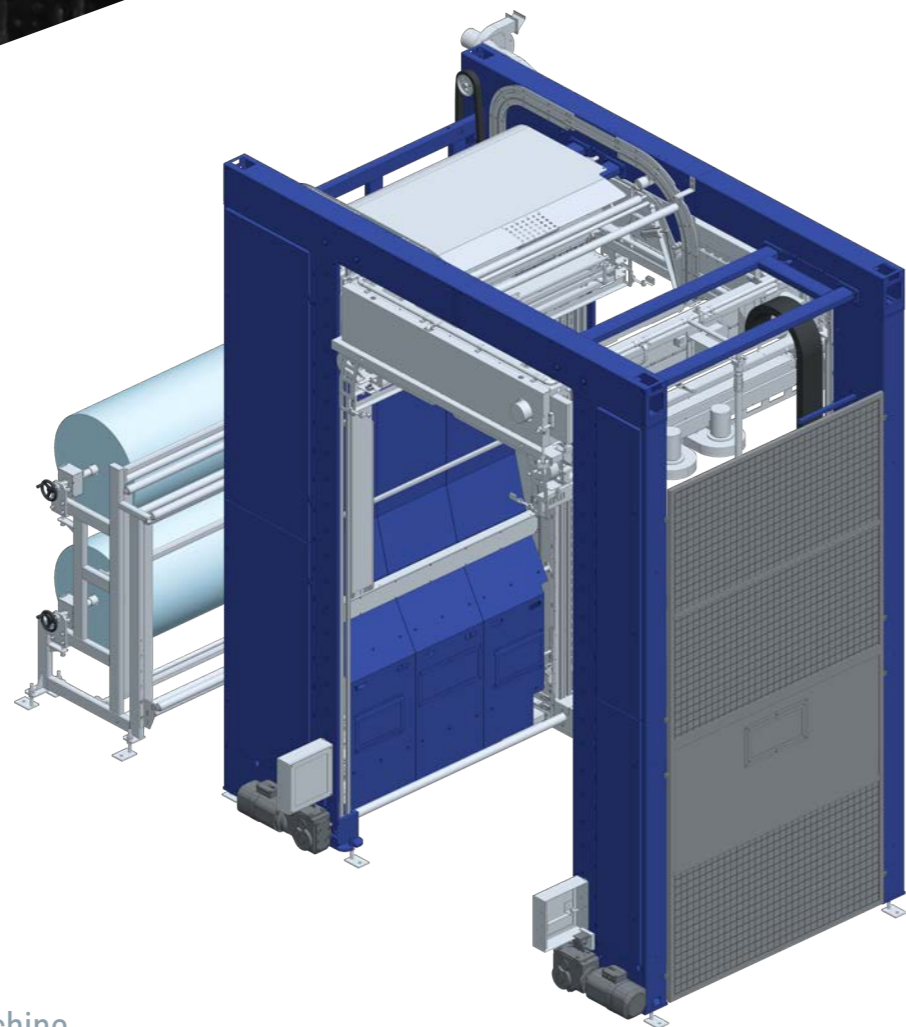
📍 Via Borgomanero, 44 - 28040 Paruzzaro (NO)

☎ Tel. +39 0322 541411 - Fax +39 0322 53157

💻 www.omsspa.com ✉ info@omsspa.com

PACKAGING SOLUTIONS. SINCE 1949





AT530 DUO GLASS

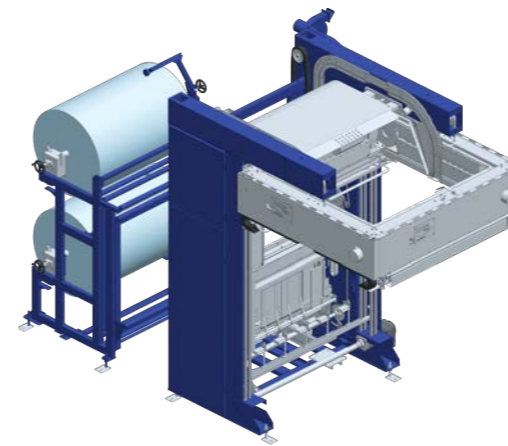
Thermoshrink hoods machine

Film type	Polyethylene thermo (LDPE)
Production capacity	Up to 70 packs/hour
Options	Lifting device Infeed centering device Double or triple coils

Applications:



Glass

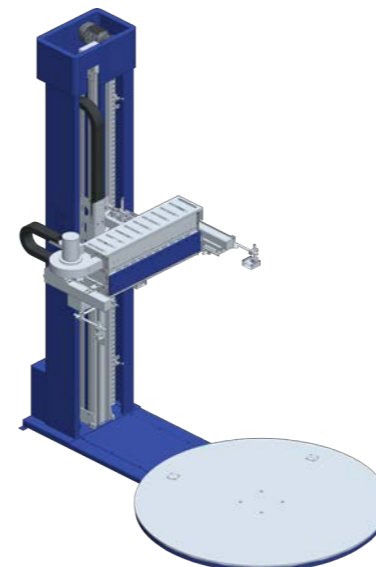


AT53

Thermoshrink hoods machine

Film type	Polyethylene thermo (LDPE)
Production capacity	60 packs/hour
Options	Lifting device Infeed centering device Double or triple coils

Applications:



FT20

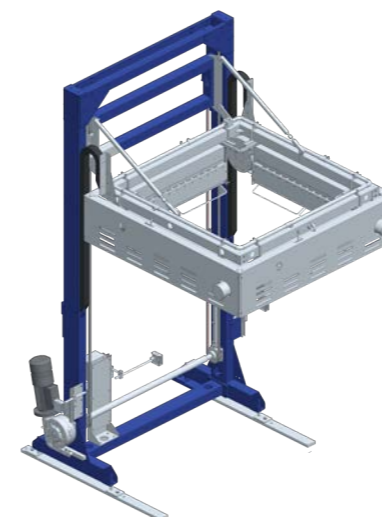
Thermoshrink oven

Film type	Polyethylene thermo (LDPE)
Platform's max. load capacity	2000 kg
Options	Moving burners

Applications:



Ceramic



FT55

Thermoshrink oven

Film type	Polyethylene thermo (LDPE)
Production capacity	60 packs/hour
Options	Lifting device Available for LPG/Propane

Applications:

