

RK Selection Guide

Connecting Technology
Profile Technology
Linear Technology



RK selection guide

Help selecting a product

The comprehensive RK Rose+Krieger product portfolio provides you with multiple components for your scope of application.

With this brochure we would like to help you to select a product for your application in a simple way. If required, you will find detailed information in the respective main catalogues. If you do not find the right product or you would like some help making a choice, our product consultants are of course available.

Starting with your application, the three RK selection guides „Profile Technology“, „Connecting Technology“ and „Linear Technology“, direct you to the right product in just a few steps.

As the product range of RK Rose+Krieger is constantly growing, we support you with a functional online tool. Thanks to the new product finder, it is now even faster and easier to reach your goal.

Give it a try!

**Why try for so long,
when it's quicker with our system**



Online selection guide

CONNECTING TECHNOLOGY

Connecting precision round and square tubes reliable and stable

- Light Clamps (Plastic)
- Solid Clamps (Aluminium)
- Robust Clamps (Stainless steel)



PROFILE TECHNOLOGY

Combining profiles without mechanical processing!

- Structural profiles
- Functional profiles
- Heavy duty profiles



LINEAR TECHNOLOGY

Moving and positioning

- Linear units
- Electric cylinder
- Lifting columns



RK selection guide

Connecting technology

Connecting precision round and square tube reliable and stable whilst also making releasing easy appears to be a difficult task. The RK connecting technology, which has been proven over years of use, meets this requirement in a simple and almost perfect fashion. Our versatile connection elements offer you the

chance to implement creative and flexible solutions, because you can rely on our product. We are sure to have the right part for you, and if not we will develop one especially for you.

Why drilling, riveting, welding...



...when it's quicker with our reliable clamping system.

The four steps to your product recommendation

Step 1: The application always takes centre stage



- Light load range
- Medium to heavy load range
- Shock-proof load range

Step 2: What features should the product have?



- Right angle tube connection
- Axially parallel tube connection
- Hinge tube connection

Step 3: Which product design do you want?



- Single-piece elements: For faster and more economic assembly
- Multi-piece elements: For later on assembly and upgrading

Step 4: Which performance category do you require?

- Round tube
- Square tube
- Ø Diameter
- □ Square

...follow our system and the terms are self explanatory.

The RK connecting circle



Light load range

Features:

- Easy
- Good value
- Variable

Light Clamps

continue on page 8

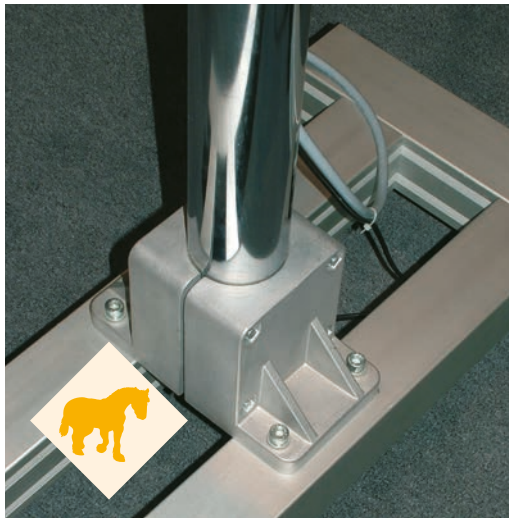
Your application
takes centre stage

Solid Clamps

continue on page 10

Robust Clamps

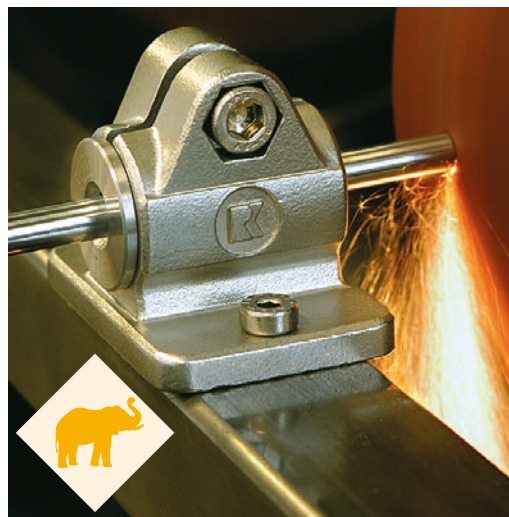
continue on page 12



Medium to heavy load range

Features:

- Reliable
- Solid
- Price/Performance optimised
- Great variety



Shock-proof load range

Features:

- Extremely strong
- Vibration proof
- Impact and shock load
- Corrosion resistant

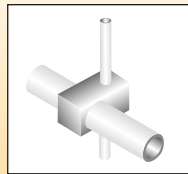
Light Clamps



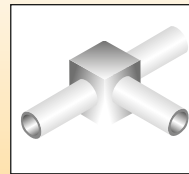
Plastic:

- Corrosion resistant
- Low weight
- Usable in food packaging
- Variable using reducing bushes

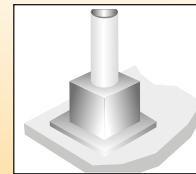
Right angle tube connector



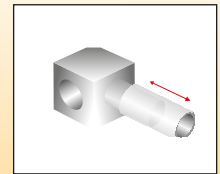
Cross clamps



Angle clamps



Base clamps



Flange clamps

Single-piece elements



Ø 12 - 30
□ 10, 20



Ø 12 - 30
□ 10, 20



Ø 12 - 30
□ 10, 20



Multi-piece elements



Ø 20 - 30
□ 20 - 30



Ø 20 - 30
□ 20 - 30



Ø 20 - 30
□ 20 - 30

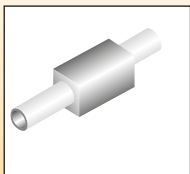


Ø = Diameter round tube
□ = Dimension square tube

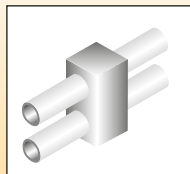
Light Clamps
Plastic

Connecting types

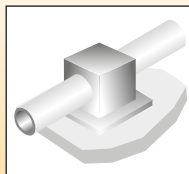
Axially parallel tube connector



Sleeve clamps

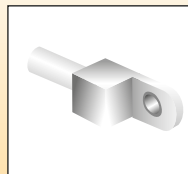


Parallel clamps

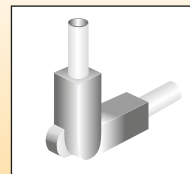


Flange clamps

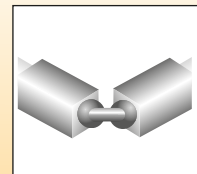
Hinge tube connector



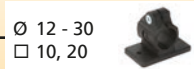
Strap clamps



Hinge clamps



Ball joints



For detailed information, sizing and accessories, please look in our main catalogue Connecting Technology

Solid Clamps



Block form

- Cast aluminium
- Higher torque loads
- Plane surface
- Multi-piece elements

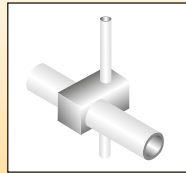
Industrial-Design

- Cast aluminium
- Great variety
- Single-piece elements

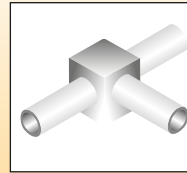
quad® elements

- Extruded aluminium
- Maximum torque loads
- High-quality anodized surface
- Single- und Multi-piece elements

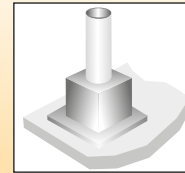
Right angle tube connector



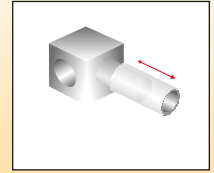
Cross clamps



Angle clamps



Base clamps



Insert clamps

Single-piece elements



industrial design

Ø 12-80



Ø 12-80



Ø 12-80



Ø 18-60



quad® elements

Ø 30-50



Ø 30-50



Ø 30-60



Multi-piece elements



quad® elements

Ø 30-60



Ø 30-60



Ø 30-80



block form

Ø 8-80



□ 10-80

Ø 8-80



□ 10-80

Ø 42-50



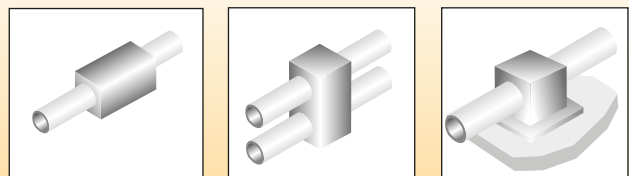
□ 50

Ø = Diameter round tube
□ = Dimension square tube

Solid Clamps Aluminium

Connecting types

Axially parallel tube connector



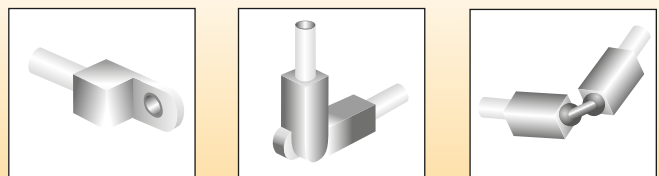
Sleeve clamps

Parallel clamps

Flange clamps



Hinge tube connector



Strap clamps

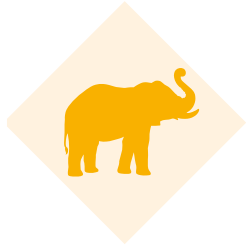
Hinge clamps

Ball joints



For detailed information, sizing and accessories, please see our main catalogue „Connecting Technology“.

Robust Clamps



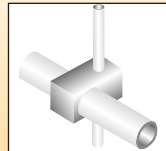
Stainless steel

- Extremely strong for dynamic loads
- High temperature resistant
- Corrosion resistant
- Electro-polished surface

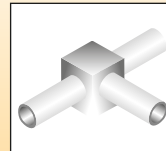
Robust Clamps Stainless steel

Connecting types

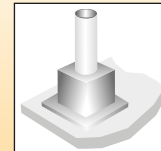
Right angle tube connector



Cross clamps

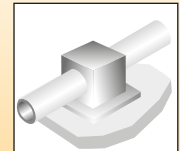


Angle clamps



Base clamps

Axially parallel tube connector



Insert clamps

Single-piece elements



Ø 12-20,
30, 40



Ø 12-20,
30, 40



Ø 12-20,
30, 40



Ø 12-20,
30, 40



Ø = Diameter round tube
□ = Dimension square tube

Accessories



Steel tubes
 $\varnothing = 12-80$
 $\square = 20-80$



Stainless steel tubes
 $\varnothing = 12-60$
 $\square = 20-80$



Aluminium tubes
 $\varnothing = 20-60$
 $\square = 20-60$



Aluminium bars
 $\varnothing = 8-10$
 $\square = 10$



Round tube stopper



Square tube stopper



Round tube threaded stopper



Adjustable foot



Adjustable foot with tube fitting



Square tube threaded stopper



Steerable castor with tube fitting



Fixed castor with tube fitting



Adjustable levers



Insert nut



Adapter sleeve R28

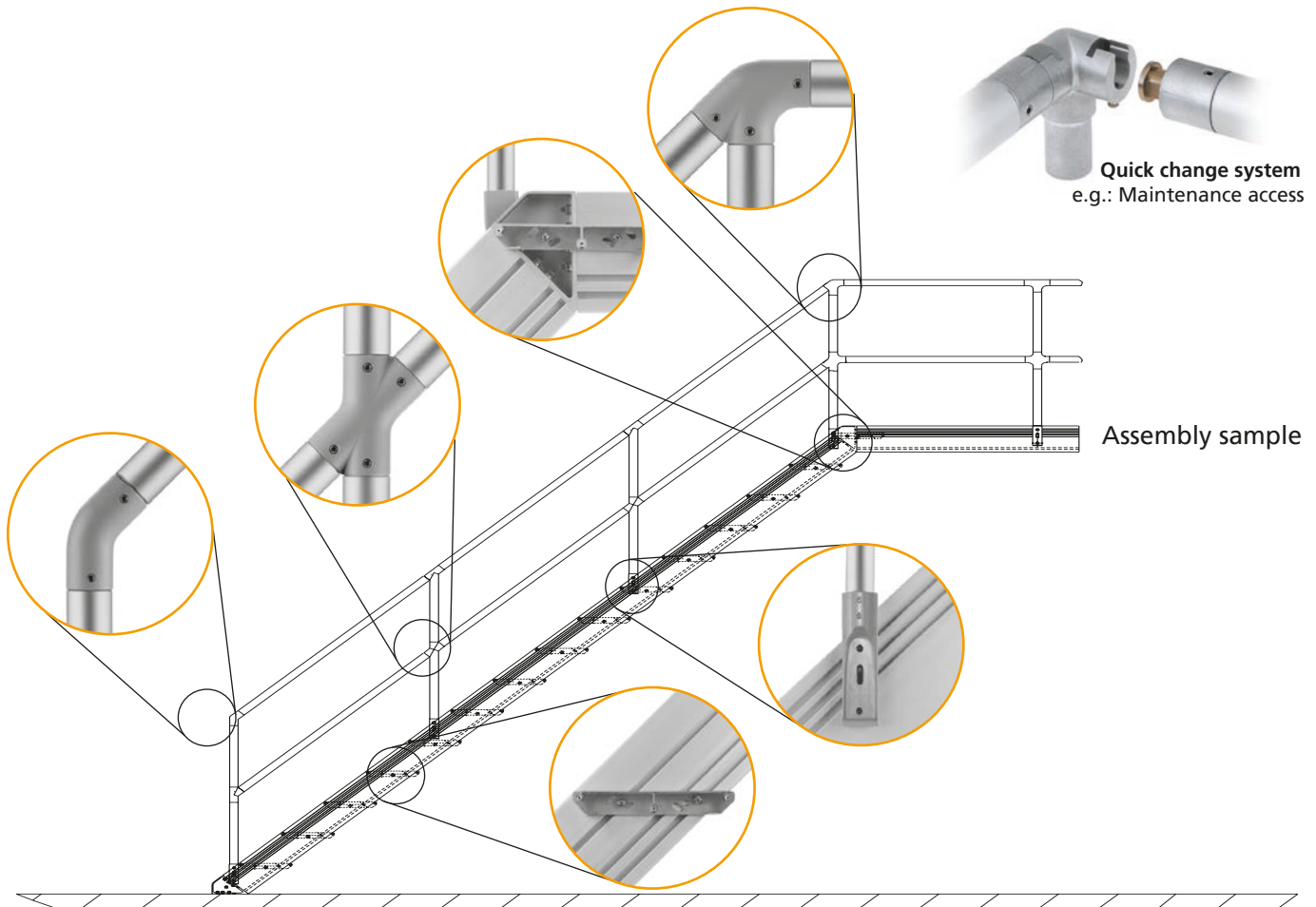
For detailed information, sizing and accessories, please see our main catalogue „Connecting Technology“.

ITAS industrial stairs and working platforms

No drilling or welding, no bevel cut

ITAS designs make it easy to assemble simple railings as well as sophisticated stairs and working platforms. The ITAS „Internal Tension Application System“ is an easy plug in principle. It reduces assembly time to a minimum. The connection is realized by tightening special clamping screws. The smooth intersections persuade with a pleasant surface feeling and contribute to the overall safety.

– just assemble –



Application example ITAS industrial stairs



RK Monitor Mounting

RK Monitor Mounting all purpose mounting for monitors, touch panels and operating units



Equipment Carrier System

Variable designs using standard elements, for individual attachment and positioning of control panels.



For detailed information, sizing and accessories, please see our main catalogue „Connecting Technology“.

Profile technology

What matters is not only the profile, it is also the connection between the profiles. Years of application experience have resulted in an industrial aluminium profile system which can meet almost any requirements. Unlimited creativity combined with the highest levels of flexibility and proven reliability offers you multiple possible solutions to your requirements.

Benefit from all the advantages, especially connection without machining being required. The success of a system is the sum of its parts, based on strong individual parts.

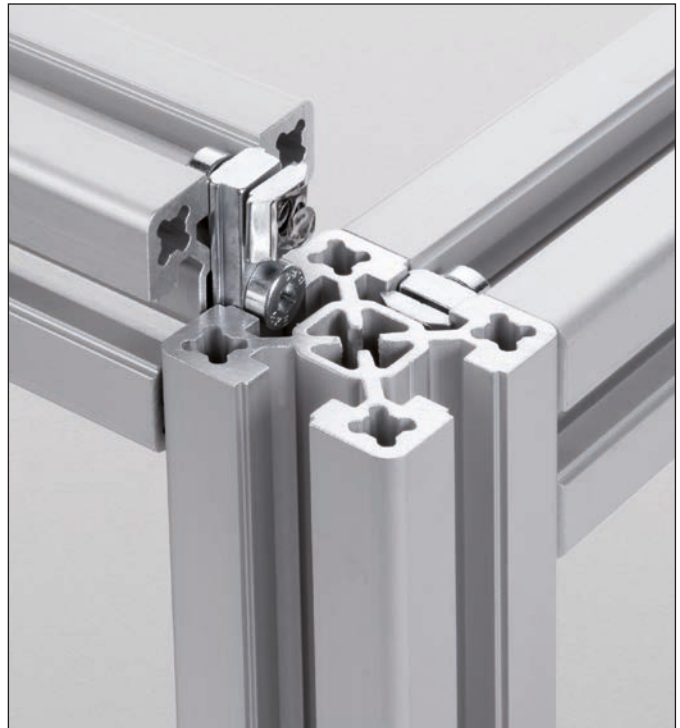
In order for you to preselect the most suitable range quick and easy, we have developed a system which is strictly application orientated. You can determine the most suitable size and design based on your performance requirements within the range.

We are always here, of course, to assist you personally with your selection.

Save the drilling...



...there's no need for!



The three steps to your product recommendation

Step 1:

The application always takes centre stage



- Stable versatile structures
- Additional visual and functional benefit
- Heavy duty with highest stability

Step 2:

Which dimension do you need?



- Stability
- Section modulus
- Mass optimization

Step 3:

Which function do you need?

- Configuration (square, rectangular, rounded, angular)
- Number of slots
- Easy assembling
- Additional functions: visible design or frame profiles

...follow our system and the terms are self explanatory.

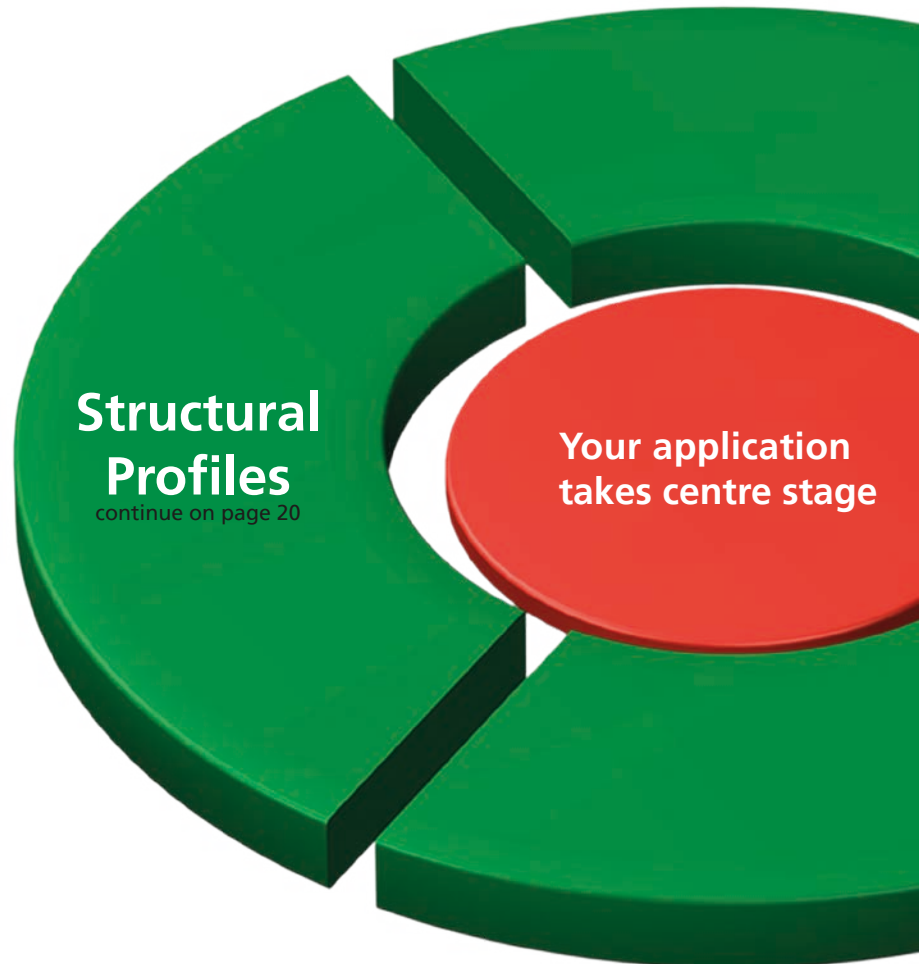
The RK profile circle



Stable versatile structures

Features:

- Fixing slots on all sides
- Unlimited applications
- Minimized design effort
- Cost optimisation

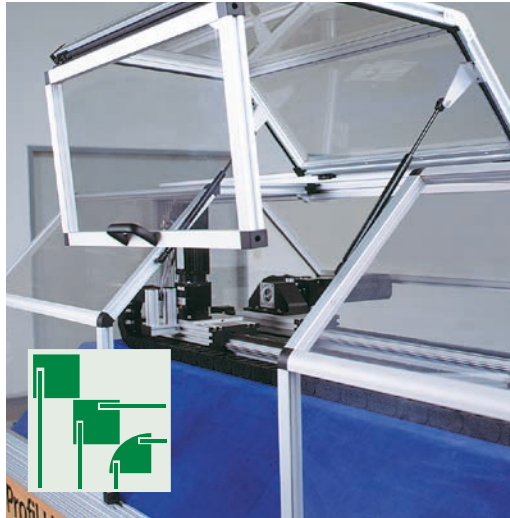


Functional Profiles

continue on page 22

Heavy Duty Profiles

continue on page 24



Additional visual and functional benefit

Features:

- Attractive design
- Many additional functions
- Flexible



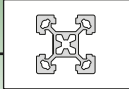
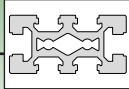
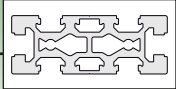


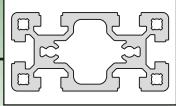
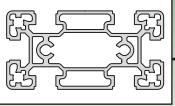
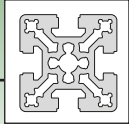
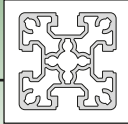
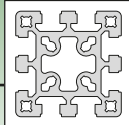
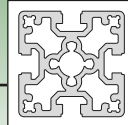
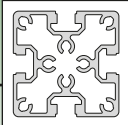
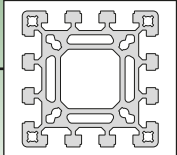
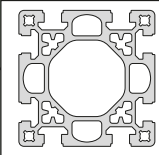
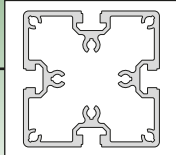
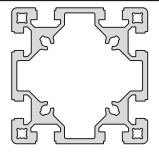
Heavy duty with highest stability

Features:

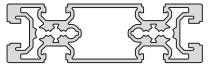
- High dynamic
- Large structures
- Easy transportable

Structural Profiles

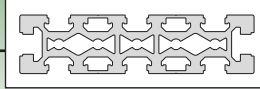


Size 30	 <p>F-30x30 $W_x = 2,2 \text{ cm}^3$ $W_y = 2,2 \text{ cm}^3$</p>	 <p>F-30x60 $W_x = 5,3 \text{ cm}^3$ $W_y = 9,9 \text{ cm}^3$</p>	 <p>F-30x80 $W_x = 7,0 \text{ cm}^3$ $W_y = 16,9 \text{ cm}^3$</p>	
Size 40	 <p>F-40x40 $W_x = 5,5 \text{ cm}^3$ $W_y = 5,5 \text{ cm}^3$</p>	 <p>F-40x40-L $W_x = 3,6 \text{ cm}^3$ $W_y = 3,6 \text{ cm}^3$</p>	 <p>F-40x80 $W_x = 11,3 \text{ cm}^3$ $W_y = 22,2 \text{ cm}^3$</p>	 <p>F-40x80-L $W_x = 7,4 \text{ cm}^3$ $W_y = 15,7 \text{ cm}^3$</p>
Size 50	 <p>F-50x50 $W_x = 11,6 \text{ cm}^3$ $W_y = 11,6 \text{ cm}^3$</p>	 <p>F-50x50-L $W_x = 9,0 \text{ cm}^3$ $W_y = 9,0 \text{ cm}^3$</p>		
Size 60	 <p>F-60x60 $W_x = 17,1 \text{ cm}^3$ $W_y = 17,1 \text{ cm}^3$</p>	 <p>F-60x60/1 $W_x = 18,1 \text{ cm}^3$ $W_y = 18,1 \text{ cm}^3$</p>	 <p>F-60x60-L $W_x = 14,1 \text{ cm}^3$ $W_y = 14,2 \text{ cm}^3$</p>	
Size 80	 <p>F-80x80 $W_x = 38,8 \text{ cm}^3$ $W_y = 38,8 \text{ cm}^3$</p>	 <p>F-80x80/2 $W_x = 38,4 \text{ cm}^3$ $W_y = 38,4 \text{ cm}^3$</p>	 <p>F-80x80-L $W_x = 28,8 \text{ cm}^3$ $W_y = 28,8 \text{ cm}^3$</p>	 <p>F-80x80/2-L $W_x = 36,1 \text{ cm}^3$ $W_y = 36,1 \text{ cm}^3$</p>
Size 100/120				

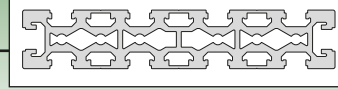
Structural profiles



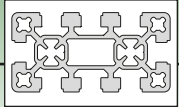
F-30x100
 $W_x = 6,5 \text{ cm}^3$
 $W_y = 20,0 \text{ cm}^3$



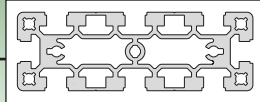
F-30x120
 $W_x = 10,2 \text{ cm}^3$
 $W_y = 36,6 \text{ cm}^3$



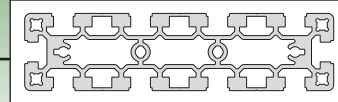
F-30x160
 $W_x = 13,3 \text{ cm}^3$
 $W_y = 64,1 \text{ cm}^3$



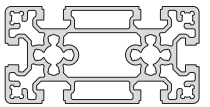
F-40x80/3
 $W_x = 10,0 \text{ cm}^3$
 $W_y = 19,7 \text{ cm}^3$



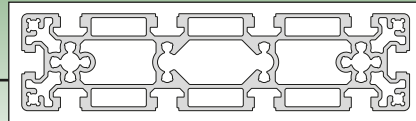
F-40x120
 $W_x = 14,7 \text{ cm}^3$
 $W_y = 42,2 \text{ cm}^3$



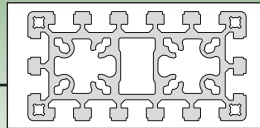
F-40x160
 $W_x = 19,9 \text{ cm}^3$
 $W_y = 72,4 \text{ cm}^3$



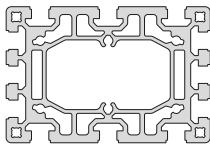
F-50x100
 $W_x = 17,6 \text{ cm}^3$
 $W_y = 36,1 \text{ cm}^3$



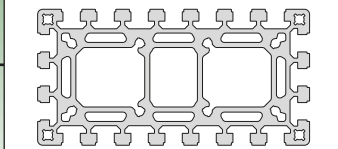
F-50x200
 $W_x = 32,1 \text{ cm}^3$
 $W_y = 122,4 \text{ cm}^3$



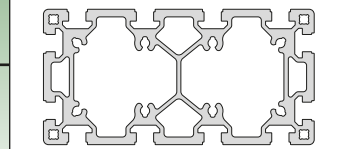
F-60x120
 $W_x = 31,5 \text{ cm}^3$
 $W_y = 62,0 \text{ cm}^3$



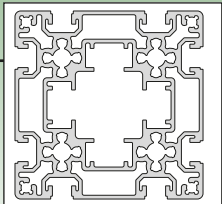
F-80x120
 $W_x = 60,6 \text{ cm}^3$
 $W_y = 83,5 \text{ cm}^3$



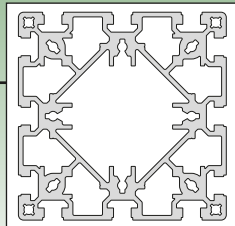
F-80x160
 $W_x = 77,4 \text{ cm}^3$
 $W_y = 140,9 \text{ cm}^3$



F-80x160-L
 $W_x = 72,8 \text{ cm}^3$
 $W_y = 128,1 \text{ cm}^3$



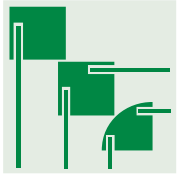
F-100x100
 $W_x = 60,8 \text{ cm}^3$
 $W_y = 60,8 \text{ cm}^3$















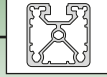
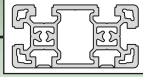
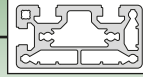

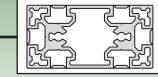





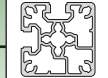
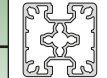
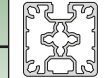
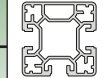
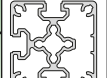

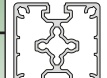
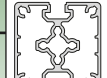



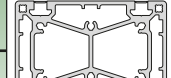
F-120x120
 $W_x = 110,8 \text{ cm}^3$
 $W_y = 110,8 \text{ cm}^3$

For detailed information, sizing and accessories, please have a look in our main catalogue Profile Technology BLOCAN®











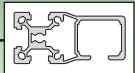










Functional Profiles









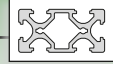



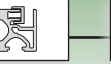


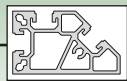
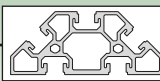
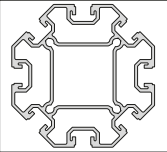
Visible design profiles

Size 30									
	F-G 30x30 W _x = 2,1 cm ³ W _y = 2,1 cm ³	F-GG 30x30 W _x = 2,1 cm ³ W _y = 2,1 cm ³	F-2G 30x30 W _x = 2,2 cm ³ W _y = 2,4 cm ³	F-3G 30x30 W _x = 2,2 cm ³ W _y = 2,4 cm ³	W 30-30° W _x = 1,5 cm ³ W _y = 1,8 cm ³	W 30-45° W _x = 1,4 cm ³ W _y = 1,7 cm ³	W 30-60° W _x = 1,8 cm ³ W _y = 1,9 cm ³	W 30-90° W _x = 2,9 cm ³ W _y = 2,9 cm ³	F-R 30 W _x = 1,2 cm ³ W _y = 1,2 cm ³
Size 40									
	F-G 40x40 W _x = 4,8 cm ³ W _y = 4,9 cm ³	F-GG 40x40 W _x = 4,8 cm ³ W _y = 4,8 cm ³	F-2G 40x40 W _x = 4,6 cm ³ W _y = 4,7 cm ³	F-3G 40x40 W _x = 4,8 cm ³ W _y = 4,9 cm ³	F-G 40x80 W _x = 10,4 cm ³ W _y = 20,6 cm ³	F-GG 40x80 W _x = 10,7 cm ³ W _y = 22,0 cm ³	4G-40x40 W _x = 5,2 cm ³ W _y = 5,2 cm ³	4G-40x80 W _x = 9,3 cm ³ W _y = 19,6 cm ³	
									
	W 40-30 W _x = 3,7 cm ³ W _y = 4,2 cm ³	W 40-45 W _x = 3,4 cm ³ W _y = 4,2 cm ³	W 40-60 W _x = 4,2 cm ³ W _y = 4,6 cm ³	W 40-90 W _x = 7,4 cm ³ W _y = 7,4 cm ³					
Size 50									
	F-G 50x50 W _x = 8,6 cm ³ W _y = 8,9 cm ³	F-GG 50x50 W _x = 8,4 cm ³ W _y = 8,7 cm ³	F-2G 50x50 W _x = 8,3 cm ³ W _y = 8,7 cm ³	F-3G 50x50 W _x = 9,0 cm ³ W _y = 9,1 cm ³	SP-50x50 W _x = 8,2 cm ³ W _y = 8,3 cm ³				
Size 60									
	F-G 60x60 W _x = 12,6 cm ³ W _y = 12,7 cm ³	F-GG 60x60 W _x = 12,5 cm ³ W _y = 12,8 cm ³	F-2G 60x60 W _x = 12,1 cm ³ W _y = 13,0 cm ³	F-3G 60x60 W _x = 11,9 cm ³ W _y = 13,7 cm ³					
Size 80									
	F-G 80x80 W _x = 34,8 cm ³ W _y = 33,0 cm ³	F-GG 80x80 W _x = 34,1 cm ³ W _y = 34,1 cm ³	F-2G 80x80 W _x = 33,3 cm ³ W _y = 35,0 cm ³	F-3G 80x120A W _x = 52,8 cm ³ W _y = 77,9 cm ³					

Frame profiles

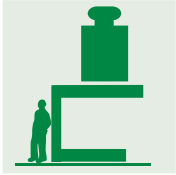
Size 30								
	KL-30x30-3 W _x = 1,5 cm ³ W _y = 1,8 cm ³	KLD 30x40 W _x = 2,7 cm ³ W _y = 2,5 cm ³	KLE-30x30 W _x = 2,0 cm ³ W _y = 2,0 cm ³	KLW 30x15 W _x = 1,4 cm ³ W _y = 1,9 cm ³	KLW 30x30 W _x = 3,1 cm ³ W _y = 4,4 cm ³	KLW 30x45 W _x = 1,2 cm ³ W _y = 1,8 cm ³	KLW 30x60 W _x = 1,7 cm ³ W _y = 1,5 cm ³	KLW 30x90 W _x = 2,7 cm ³ W _y = 4,1 cm ³
								
	ESP 30 W _x = 1,4 cm ³ W _y = 1,8 cm ³	ESP 30/2 W _x = 1,5 cm ³ W _y = 1,8 cm ³	STP 30 W _x = 6,1 cm ³ W _y = 3,7 cm ³					
Size 40								
	KL-40x40-3 W _x = 3,5 cm ³ W _y = 4,1 cm ³	KLD-40x40 W _x = 4,1 cm ³ W _y = 5,5 cm ³	KLE-40x40 W _x = 4,6 cm ³ W _y = 4,6 cm ³	KLW 40x15 W _x = 1,1 cm ³ W _y = 1,7 cm ³	KLW 40x45 W _x = 2,4 cm ³ W _y = 2,4 cm ³	KLW 40x60 W _x = 3,8 cm ³ W _y = 3,3 cm ³	KLW 40x90 W _x = 5,8 cm ³ W _y = 5,8 cm ³	
								
	ESP 40 W _x = 2,7 cm ³ W _y = 3,5 cm ³	ESP 40/2 W _x = 3,0 cm ³ W _y = 3,6 cm ³	STP 40 W _x = 9,7 cm ³ W _y = 6,1 cm ³					

Special profiles

Size 15								
	15x40 W _x = 1,3 cm ³ W _y = 3,3 cm ³	15x60 W _x = 1,9 cm ³ W _y = 7,0 cm ³	15x80 W _x = 2,5 cm ³ W _y = 11,9 cm ³	15x120 W _x = 3,6 cm ³ W _y = 25,8 cm ³	15x160 W _x = 4,8 cm ³ W _y = 44,9 cm ³			
Size 20								
	F-20x20 W _x = 0,8 cm ³ W _y = 0,8 cm ³	F-20x40 W _x = 1,3 cm ³ W _y = 2,7 cm ³	F-R 20 W _x = 0,6 cm ³ W _y = 0,5 cm ³	F-G 20x20 W _x = 0,8 cm ³ W _y = 0,7 cm ³	F-GG 20x20 W _x = 0,7 cm ³ W _y = 0,7 cm ³	KL 20x20 W _x = 0,8 cm ³ W _y = 0,8 cm ³	KLD 20x20 W _x = 0,7 cm ³ W _y = 0,8 cm ³	KLE 20x20 W _x = 0,6 cm ³ W _y = 0,7 cm ³
Size 40								
	2x40 W _x = 7,9 cm ³ W _y = 11,3 cm ³	3x40 W _x = 8,8 cm ³ W _y = 14,1 cm ³	8x40 W _x = 27,6 cm ³ W _y = 27,6 cm ³					

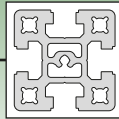
For detailed information, sizing and accessories, please have a look in our main catalogue Profile Technology **BLOCAN**®

Heavy Duty Profiles



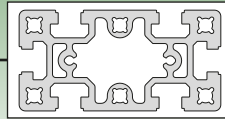
Heavy duty profiles

Size 80



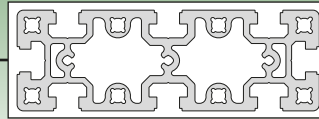
D-80x80

$W_x = 49,6 \text{ cm}^3$
 $W_y = 49,8 \text{ cm}^3$



D-80x160

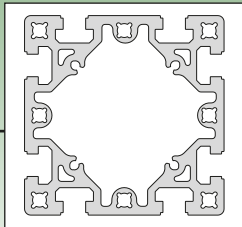
$W_x = 91,6 \text{ cm}^3$
 $W_y = 174,6 \text{ cm}^3$



D-80x240

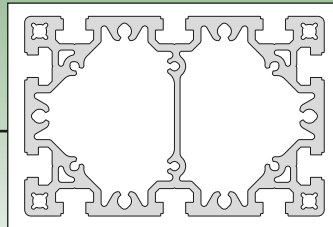
$W_x = 135,2 \text{ cm}^3$
 $W_y = 355,7 \text{ cm}^3$

Size 160



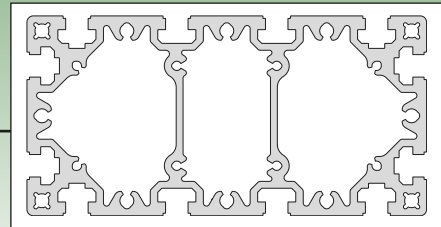
D-160x160

$W_x = 311,7 \text{ cm}^3$
 $W_y = 311,7 \text{ cm}^3$



D-160x240

$W_x = 450,2 \text{ cm}^3$
 $W_y = 611,1 \text{ cm}^3$



D-160x320

$W_x = 582,0 \text{ cm}^3$
 $W_y = 976,1 \text{ cm}^3$

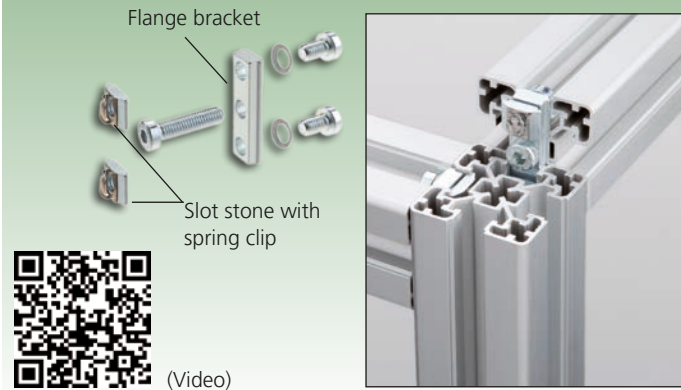
Profile connection types

Over the years RK Rose+Krieger has developed a number of profile variants. Corresponding connection types are available according to the type of profile and application.

Flange bracket for structural / functional profiles

Features:

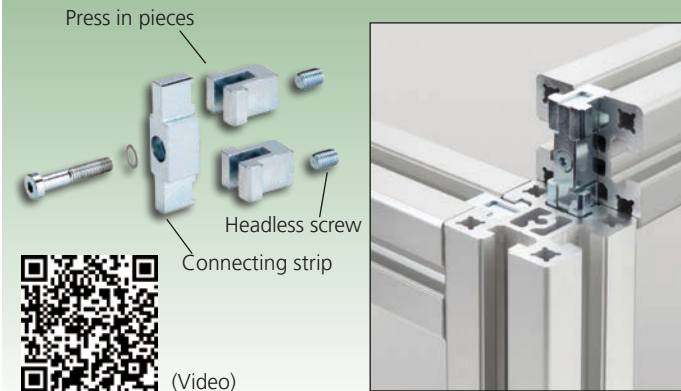
- Machining of profiles is not necessary
– no additional costs, no shavings
- Subsequent shifting of the mounting position is possible
– adjustable during assembly
- Minimum preparation effort
– order and install
- Compatible with other RK Products



Press mount connector for heavy duty profiles

Features:

- Economical connecting types
– low installation costs
- Additional machining of profile is not necessary
- Dynamic, highly loadable screw connection
– releasable at any time



Corner joint and special joint for functional profiles

For detailed information, sizing and accessories, please have a look in our main catalogue Profile Technology **BLOCAN®**

Safety Guards

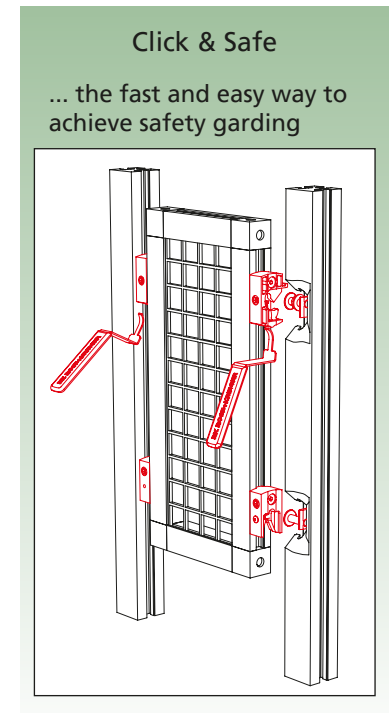
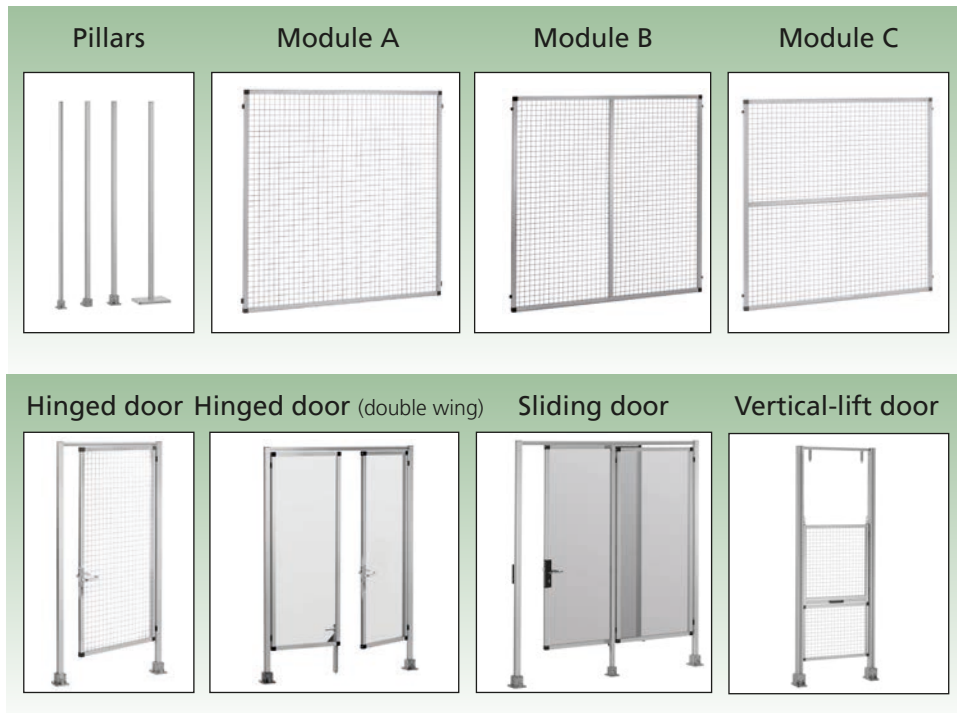
Features:

- Sturdy protection system in aluminium design
- Minimum of designing efforts thanks to standard modules
- Assembly with no need for machining
- Clamping profiles can receive the most different surface elements
- Smooth, easy-care outer surface, attractive design
- Extensive accessory programme
- Conform to the new European Machinery Directive 2006/42/EC
- Upon request we supply safety guards in accordance with standard DIN EN ISO 14120, protection against mechanical danger.



Video pendulum test
DIN EN ISO 14120

Pattern overview elements



RK Easywork Assembly Workstation-Systems

With the RK Easywork selection tool, a complete assembly work table can be configured online to meet ergonomic and task-specific requirements. Step by step, the selection tool guides you through all of the options on the way to creating your ideal workstation. Additional lighting, holders for grab containers, foot rests, standing chairs and ESD accessories are all available, along with other useful devices.

The RK Easywork workstation system is based on RK Rose+Krieger's complete modular system. BLOCAN® construction profiles made from aluminium and the electrically driven lifting columns offer a perfect combination for the creation of high-quality table concepts. Customers can choose between the simplest static tables or electrically height-adjustable work tables and configure their own combinations.

Step 1:
Determine the dimensions required



Step 2:
Design your workstation online



Step 3:
A detailed offer will be made available



Step 4:
a fully-equipped workstation will be delivered



The basic modules:



Static



Electrically height adjustable



Online selection guide easy work

For detailed information, sizing and accessories, please have a look in our main catalogue Profile Technology BLOCAN®

Linear technology

Guiding, adjustment, positioning or uniform motion, the requirements for linear motion operations are as numerous as the solutions. We offer you a wide spectrum of linear motion components, starting with an occasional manual movement, as well as frequent operation, through to continuous high dynamic positioning.

In order for you to preselect the most suitable range quick and easy, we have developed a system which is strictly application orientated. You can determine the most suitable size and design based on your performance requirements from within the range. We are always here, of course, to assist you personally with your selection.



Linear technology ...ready-to-install components

- positioning
- lifting
- tensioning
- shifting
- moving
- and much more

The four steps to your product recommendation

Step 1: The application is always the focus



- Width, length and height adjustment
- Loading and unloading, palletising, pick & place
- Numerically controlled operation tasks

Step 2: Which product design do you want?



- Rodless style (Linear actuator)
- Rodstyle (E-cylinder, lifting column)

Step 3: What features should the product have?



- Guide
- Drive
- Guide + drive

Step 4: Which performance category do you require?

- Travel
- Load
- Speed
- Accuracy
- etc.

...follow our system and the terms are self explanatory.

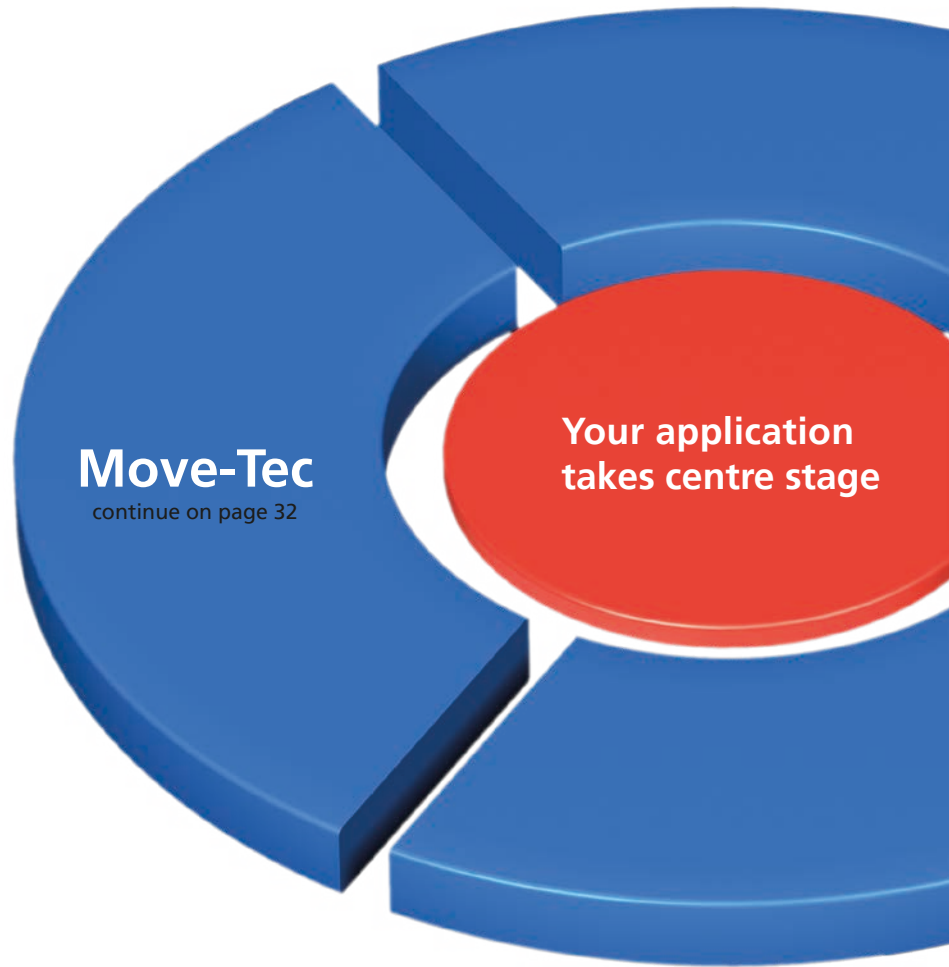
The RK linear circle



Width, length, height adjustment

Features:

- Manual or electric drive
- Occasional to daily multiple adjustment
- Low duty cycle
- Low speed
- Moderate to high stability



Place-Tec

continue on page 34

Control-Tec

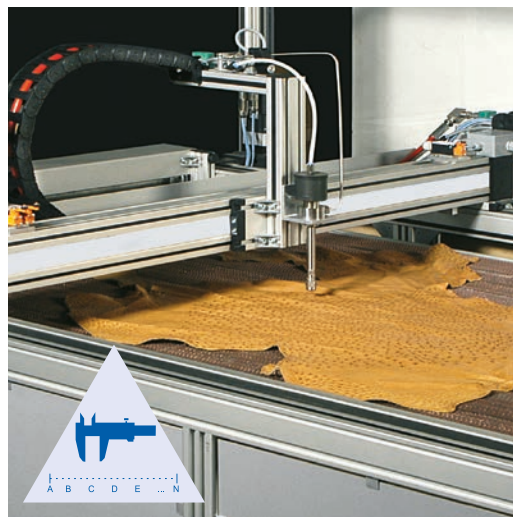
continue on page 36



Loading and unloading, palletising, pick & place

Features:

- High repeatability
- Short cycle time
- High number of cycles
- 3-shift operation
- High reliability



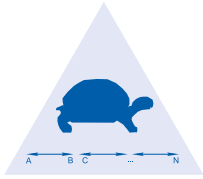
Numerically controlled travel

Features:

- High positioning accuracy
- Uniform motion
- High drive stiffness
- 3 shift operation
- IP40 protected

RK selection guide linear technology

Move-Tec



Rodless style
(up to 6 m travel)

Rod style
(up to 2 m travel)

Guide

Drive + Guide
(Linear actuator)

Drive
(E-cylinder)

Drive + Guide
(Lifting columns)

Single tube actuator

RK LightUnit
Travel max: 920 mm
Fx max: 300 N
Fy max: 550 N
Fz max: 1,210 N

E / E-II / E-II-stainless
Travel max: 2,740 mm
Fx max: 4,500 N
Fy max: 5,500 N
Fz max: 5,650 N

Twin tube guides

RE
Travel max: 3,000 mm
Fy max: 600 N
Fz max: 2,400 N

Twin tube actuators

EP(X) / EP(X)-II
Travel max: 2760 mm
Fx max: 4,500 N
Fy max: 14,000 N
Fz max: 9,100 N

Cylinder performance class 1

M9 E-cylinder
Travel: 50 mm
Fd max: 300 N
Fz max: 300 N
Vmax: 14 mm/s

O10 E-cylinder
Travel max 100 mm
Fd max: 500 N
Fz max: 500 N
Vmax: 22 mm/s

O15 E-cylinder
Travel max 140 mm
Fd max: 1,000 N
Fz max: 1,000 N
Vmax: 100 mm/s

Two-stage

Multilift
Travel max: 498 mm
Fd max: 3,000 N
Fz max: 1,000 N
Vmax: 16 mm/s

Multilift II
Travel max: 497 mm
Fd max: 3,000 N
Fz max: 3,000 N
Vmax: 16 mm/s

RK Slimlift
Travel max: 500 mm
Fd max: 4,000 N
Fz max: 2,000 N
Vmax: 32 mm/s

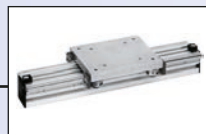
Profile guides

**PLM-G**

Travel max: 2,935 mm
Fy max: 200 N
Fz max: 220 N

**RK Compact-G**

Travel max: 400 mm
Fy max: 1,150 N
Fz max: 1,150 N

**SQL**

Travel max: 5,750 mm
Fy max: 2,500 N
Fz max: 1,500 N

**PL**

Travel max: 5,860 mm
Fy max: 2,550 N
Fz max: 2,550 N

**RK DuoLine R**

Travel max: 7,692 mm
Fy max: 5,100 N
Fz max: 8,900 N

Profile actuators

**PLM**

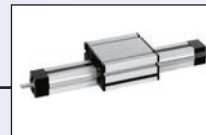
Travel max: 855 mm
Fx max: 125 N
Fy max: 200 N
Fz max: 220 N

**RK Compact**

Travel max: 400 mm
Fx max: 215 N
Fy max: 1,150 N
Fz max: 1,150 N

**quad® EV**

Travel max: 2,850 mm
Fx max: 2,500 N
Fy max: 6,000 N
Fz max: 6,000 N

**PLS**

Travel max: 3,000 mm
Fx max: 3,050 N
Fy max: 2,550 N
Fz max: 2,550 N

**RK DuoLine S**

Travel max: 2,924 mm
Fx max: 3,400 N
Fy max: 5,000 N
Fz max: 6,000 N

Cylinder performance class 2

**LAMBDA E-cylinder**

Travel max: 600 mm
Fd max: 6,000 N
Fz max: 4,000 N
Vmax: 21 mm/s

**LZ 60 E-cylinder**

Travel max: 597 mm
Fd max: 4,000 N
Fz max: 4,000 N
Vmax: 85 mm/s

**LZ 80 E-cylinder**

Travel max: 1,005 mm
Fd max: 10,000 N
Fz max: 10,000 N
Vmax: 25 mm/s

**SLZ 63 TR FL/PL E-cylinder**

Travel max: 1,005 mm
Fd max: 15,000 N
Fz max: 15,000 N
Vmax: 58 mm/s

**SLZ 90 E-cylinder**

Travel max: 2,000 mm
Fd max: 25,000 N
Fz max: 25,000 N
Vmax: 77 mm/s

lifting columns

**RK Powerlift**

Travel max: 500 mm
Fd max: 3,000 N
Fz max: 1,500 N
Vmax: 50 mm/s

**RK Multilift II telescope**

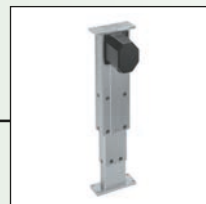
Travel max: 650 mm
Fd max: 1,600 N
Fz max: 800 N
Vmax: 30 mm/s

**RK Powerlift telescope**

Travel max: 650 mm
Fd max: 1,600 N
Fz max: 800 N
Vmax: 30 mm/s

**Alpha Colonne**

Travel max: 600 mm
Fd max: 3,000 N
Fz max: 3,000 N
Vmax: 18 mm/s

**LAMBDA Colonne**

Travel max: 600 mm
Fd max: 4,500 N
Fz max: 4,500 N
Vmax: 20 mm/s

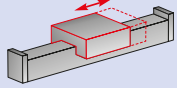
Multiple-stage lifting columns

For detailed information, sizing, accessories, motors and controls please look in our main catalogue „Linear Technology“

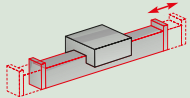
Place-Tec



Rodless style
(up to 6 m travel, D-Line 50 m travel)



Rod style
(up to 30 m travel)



Guide

Roller guides

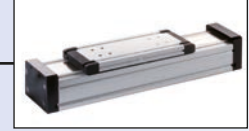


RK MonoLine
Travel max: 5,780 mm
Fy max: 4,367 N
Fz max: 2,509 N
v max: 10 m/s
a max: 20 m/s²

Ball return guides



MultiLine R
Travel max: 5,620 mm
Fy max: 8,200 N
Fz max: 12,000 N
v max: 5 m/s
a max: 50 m/s²



RK DuoLine R
Travel max: 7,692 mm
Fy max: 5,100 N
Fz max: 8,900 N
v max: 5 m/s
a max: 50 m/s²

Drive + Guide
(Linear actuator)

Roller guide actuators



RK MonoLine
Travel max: 5,780 mm
Fx max: 4,800 N
Fy max: 9,400 N
Fz max: 5,200 N
v max: 10 m/s
a max: 20 m/s²
Repeatability ± 0,05 mm

Ball return rails actuators



MultiLine
Travel max: 5,620 mm
Fx max: 4,700 N
Fy max: 8,200 N
Fz max: 12,000 N
v max: 5 m/s
a max: 50 m/s²
Repeatability ± 0,05 mm



RK DuoLine Z
Travel max: 9,010 mm
Fx max: 6,000 N
Fy max: 5,100 N
Fz max: 8,900 N
v max: 5 m/s
a max: 50 m/s²
Repeatability ± 0,05 mm

Drive + Guide
(Linear actuator)

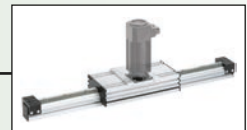
Roller guide actuators



RK MonoLine MT
Travel max: 5,614 mm
Fx max: 1,500 N
Fy max: 4,367 N
Fz max: 2,509 N
v max: 5 m/s
a max: 15 m/s²
Repeatability: ±0,05 mm

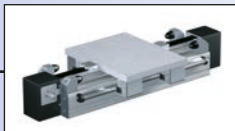


SQ MT
Travel max: 17,446 mm
Fx max: 2,810 N
Fy max: 2,550 N
Fz max: 2,550 N
v max: 10 m/s
a max: 20 m/s²
Repeatability ± 0,05 mm



SQ ZST
Travel max: 29,530 mm
Fx max: 1,132 N
Fy max: 2,550 N
Fz max: 2,550 N
v max: 5 m/s
a max: 20 m/s²
Repeatability ± 0,05 mm

Heavy duty actuators



D-Line (on request)

Travel max: 50,000 mm

F_x max: 4,700 N

F_y max: 10,000 N

F_z max: 10,000 N

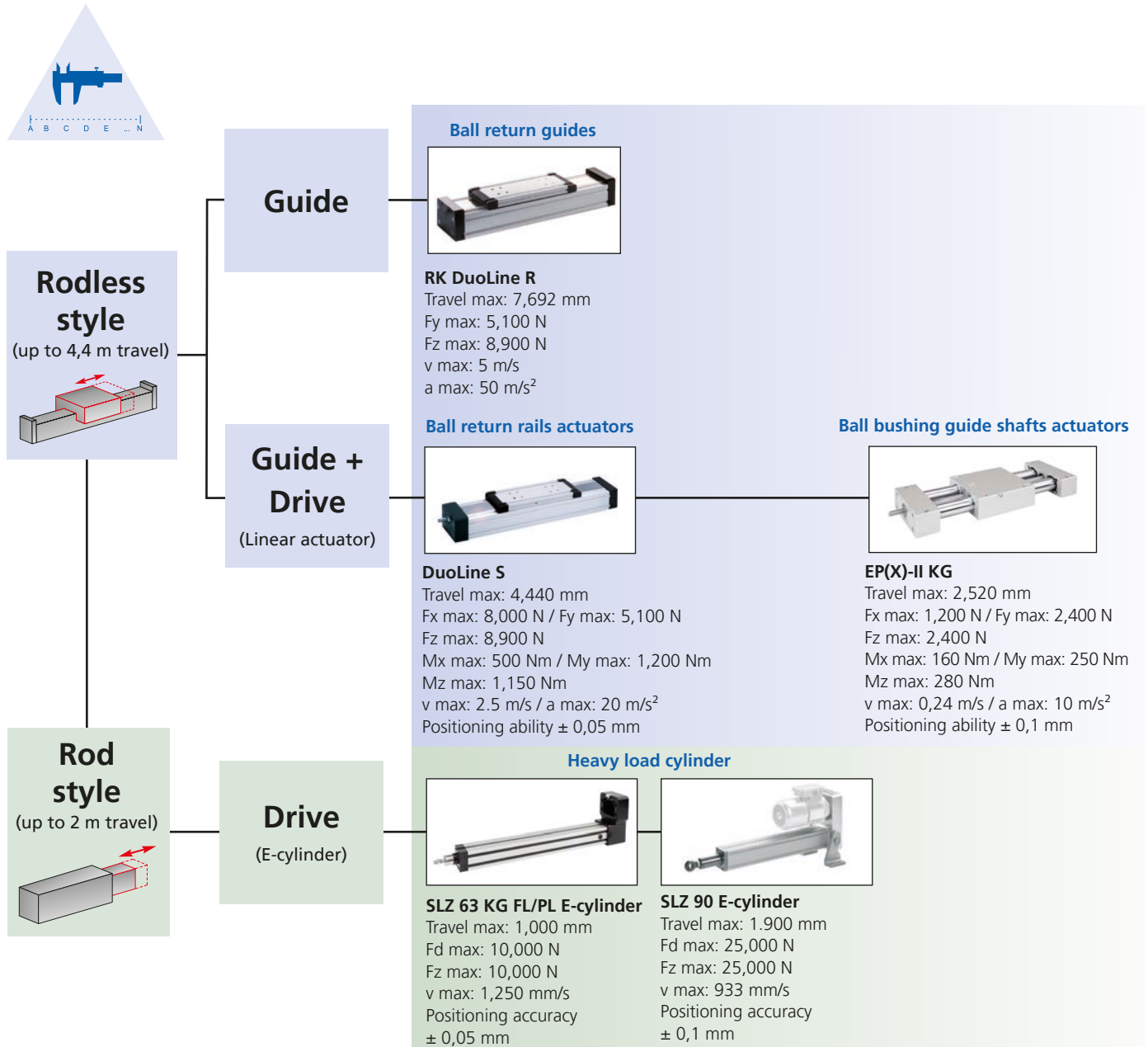
v max: 5 m/s

a max: 50 m/s²

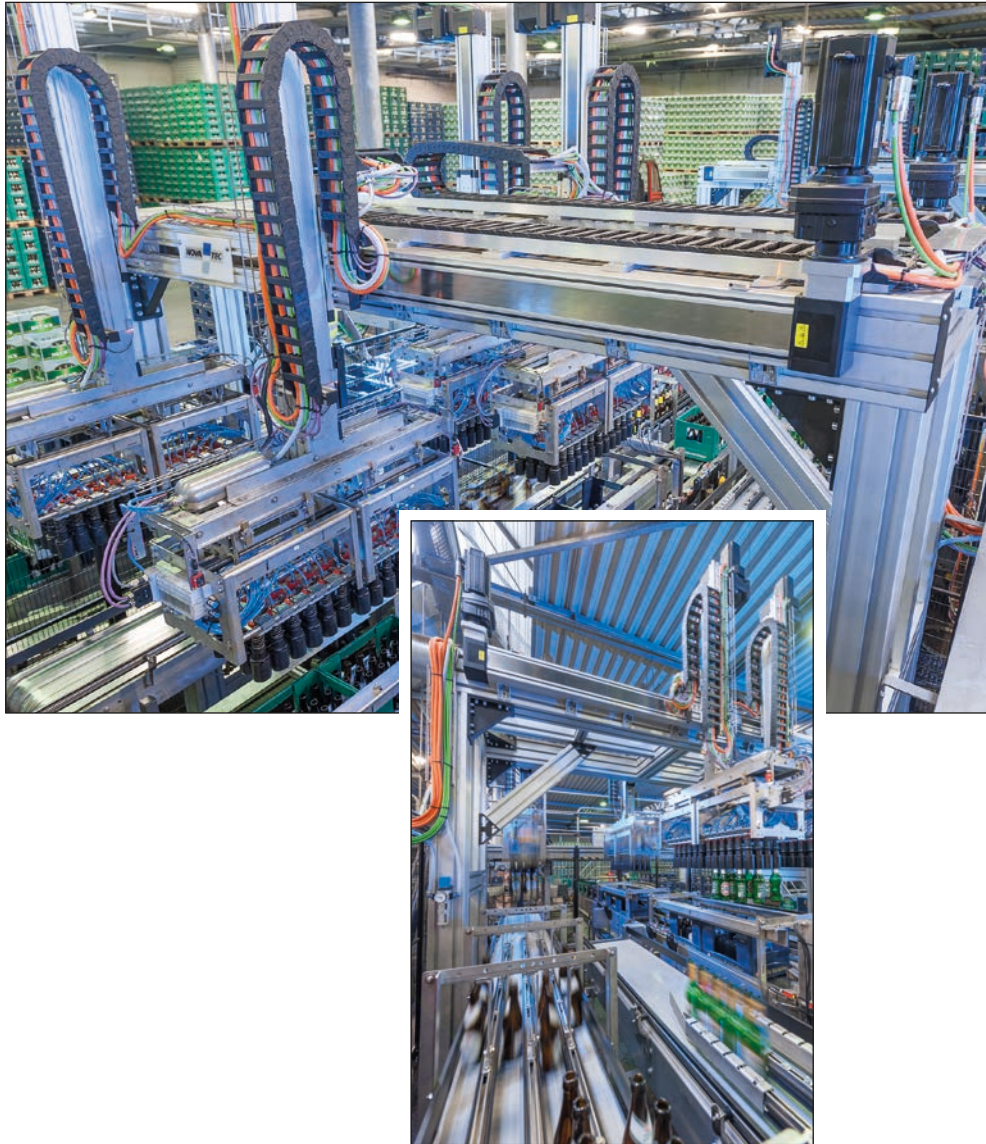
Repeatability ± 0,1 mm

For detailed information, sizing, accessories, motors and controls please look in our main catalogue **„Linear Technology“**

Control-Tec



Application example: sorting machine of empties



For detailed information, sizing, accessories, motors and controls please look in our main catalogue **„Linear Technology“**

RK selection guide

Our service



What we can do for you:

CAD-component library (Part server)

To support your design work we offer component data free of charge in the Rose+Krieger-component library (drawings, technical descriptions). About 60 different file formats (2D/3D) can be selected here.



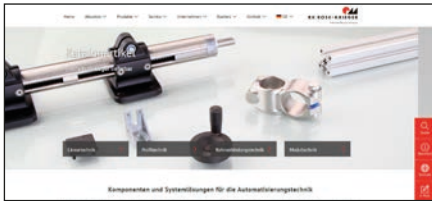
RK-Infomobile – the exhibition at your location

Over 20 presentation boards with exhibits and functional examples, as well as many applications of drive and linear technology to give you a complete overview of RK products.



RK-Field service – advice on site

Our Key Account managers and sales consultants are happy to visit you on site and help you draw up concrete proposals for practical solutions.

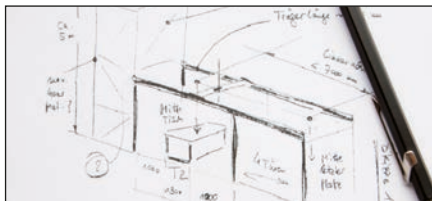


RK-website

On our website you will find lots of information about our company and our products. You will also find your contact partner in your area and the latest catalogue data (in PDF format) to download

www.rk-rose-krieger.com

Do you need to focus your resources on other tasks and are you looking for a competent partner you can rely on? Working in close collaboration with you, our specialists will develop solutions tailor-made to meet your needs. If you wish, we can also assemble and commission the units on site.



Just make a sketch of your requirements



Our product specialists will devise a solution for you



We can deliver your turnkey solution or assemble and commission it for you on site

Contact Person

Reception

Our receptionists serve as a first point of contact for all requirements and will transfer you to the relevant departments



Potsdamer Str. 9
32423 Minden / Germany
Telephone: +49 571 9335-0
Fax: +49 571 9335-119
E-Mail: info@rk-online.de

Product Consultancy

Our product specialists will be delighted to advise you when selecting components or system solutions and can prepare a customised quote on request

Telephone: +49 571 9335-803
Fax: +49 571 9335-139
E-Mail: anfrage.vertrieb@rk-online.de

Order Processing

If you would like to place an order or have a question about an existing order, our sales staff will be pleased to be of assistance.

Telephone: +49 571 9335-807
Fax: +49 571 9335-159
E-Mail: vkexport@rk-online.de



RK ROSE+KRIEGER

A Phoenix Mecano Company

RK Rose+Krieger GmbH

Connecting and positioning systems

Potsdamer Straße 9

32423 Minden, Germany

Telefon +49 571 9335-0

Telefax +49 571 9335-119

info@rk-online.de

www.rk-rose-krieger.com



Online selection guide

DE 1.000 • Flyeralarm • Nr.: 8100000075 • 09/2020 • Printed in Germany