



**LINK-N-LOCK**

# Link-N-Lock

- Unique Interlocking Crib provides strong stability
- 100% contact between layers
- Less wood used per crib
- Pieces light and easy to handle
- Longer the unit length, the stronger the crib
- Consistent performance



# Link-N-Lock

## BENEFITS

- Stack together to have 100% contact between each layer
- This increases strength and stability
- Uses 50% less wood for the same support strength as a 9-pt crib



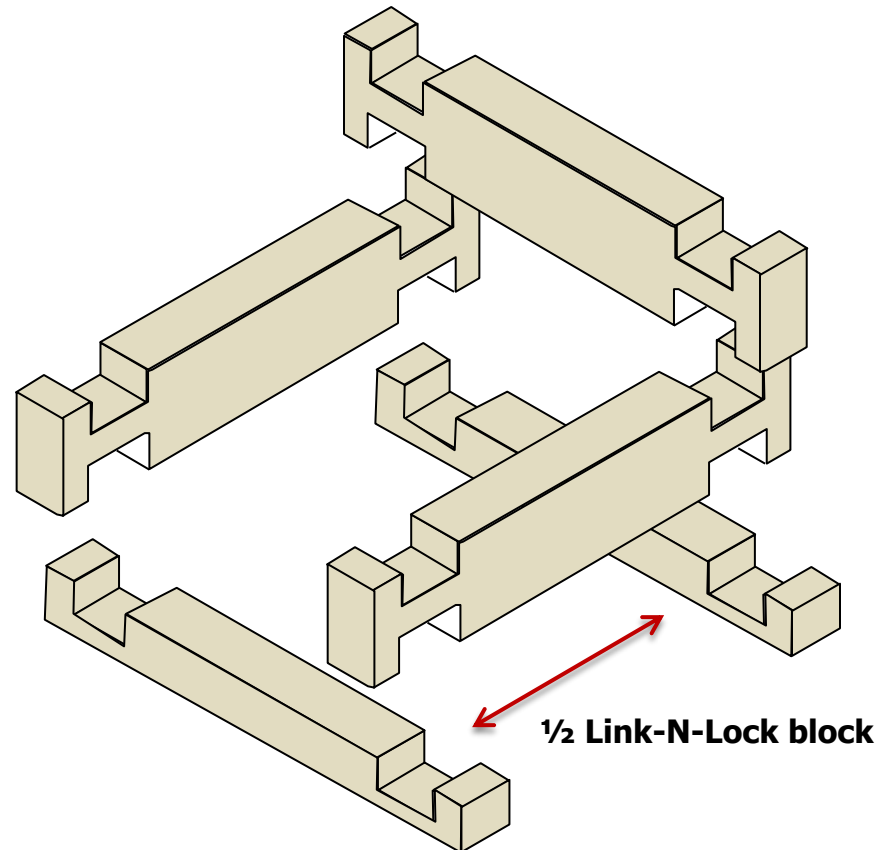
**STRATA**  
PRODUCTS

YOUR SUPPORT FOR LIFE

# Link-N-Lock

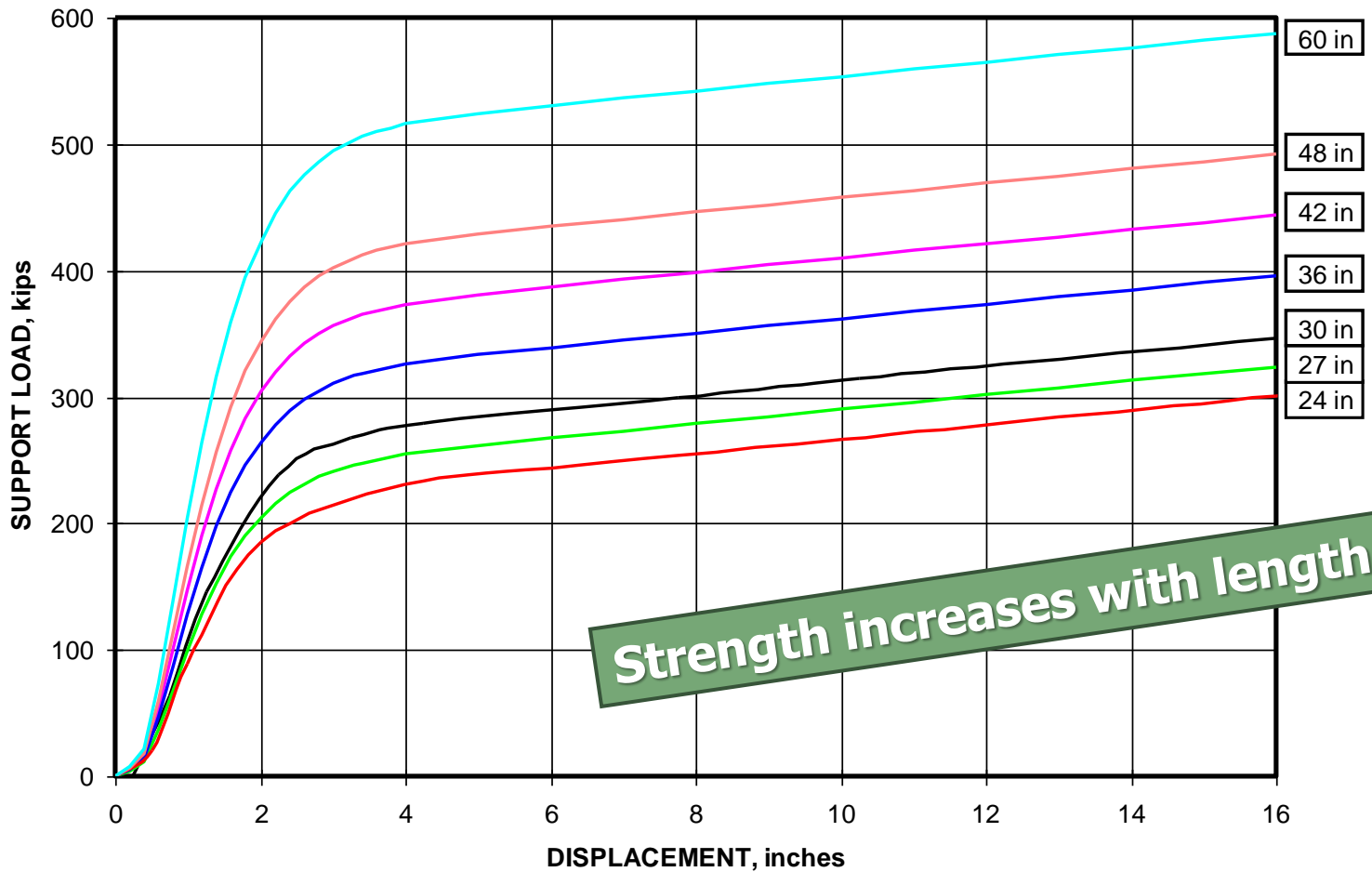
## SPECIFICATIONS

- Available lengths from 2 ft to 6ft (61cm to 1.8m)
- Packaged to suit individual mine requirements
- ½ Link-N-Lock available for base and top



# Link-N-Lock

STRATA PRODUCTS USA -- LINK-N-LOCK CRIBS  
NIOSH SAFETY STRUCTURES TESTING LABORATORY



Strength increases with length



# Link-N-Lock

## APPLICATIONS

- Headgate and Tailgate support
- Longwall Recovery
- Beltline Support



**Tailgate Support**

**STRATA**  
PRODUCTS

YOUR SUPPORT FOR LIFE

# Link-N-Lock

## INSTALLATION

- Prepare the mine floor
- Place two ½ blocks on floor, a whole block space apart
- Level as best as possible
- Place 2 whole blocks in notches, perpendicular to first



# Link-N-Lock



## INSTALLATION

- Continue stacking up to within 4"- 4.7" (10cm - 12cm) of the mine roof
- Place half blocks to finish vertical installation

**STRATA**  
PRODUCTS

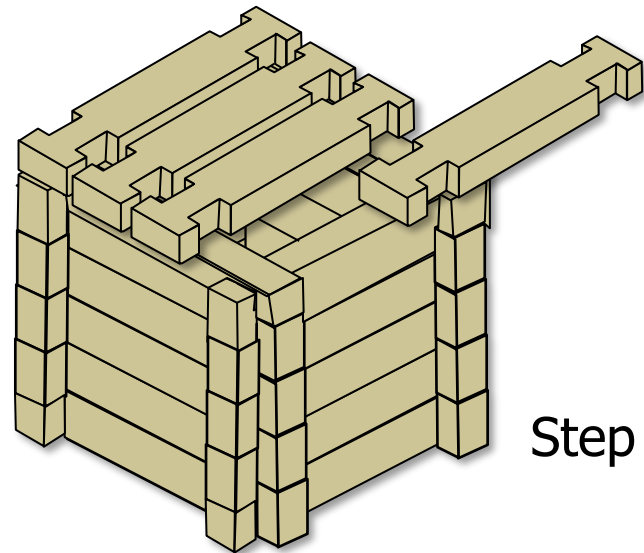
YOUR SUPPORT FOR LIFE



# Link-N-Lock

## INSTALLATION

- To make pre-stressing more effective, turn blocks on their sides and space them 1" - 2" (2.5 - 5cm) apart across the top



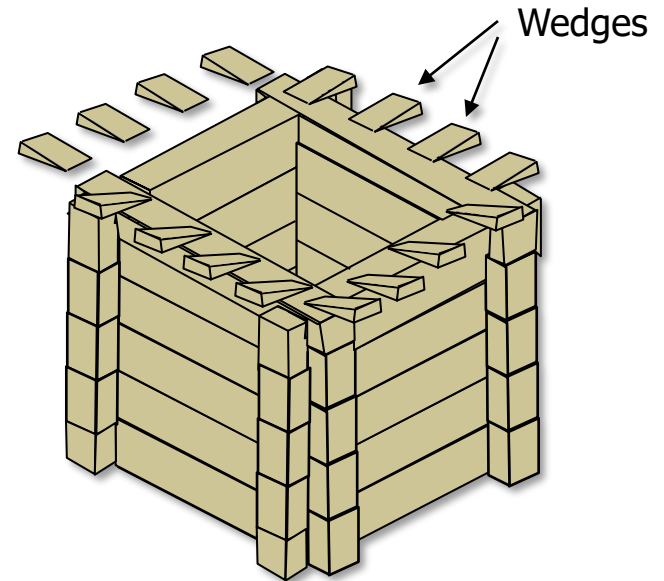
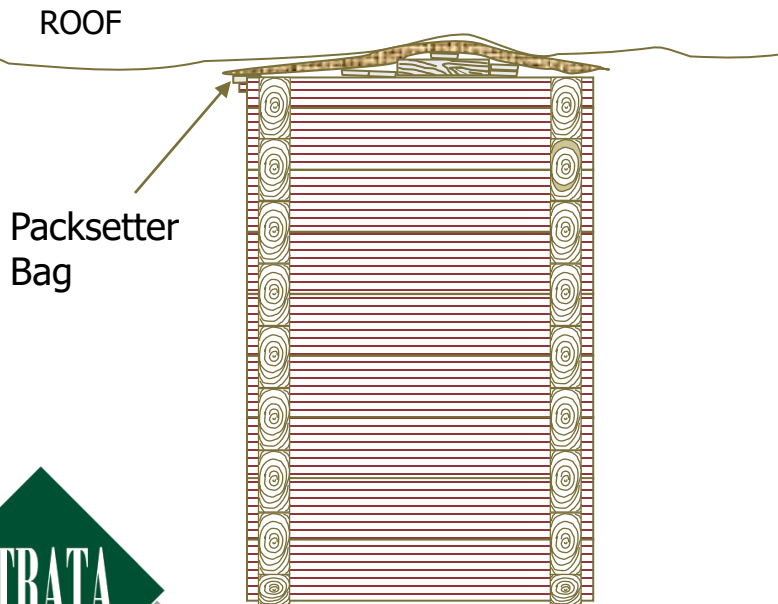
Step 4

**STRATA**  
PRODUCTS

YOUR SUPPORT FOR LIFE

# Link-N-Lock

The Link-N-Lock System can be used with Strata Products™ Packsetter Pre-Stressing System,™ or with wedges.



# Contact Us:

**Strata Products Worldwide LLC**

8995 Roswell Rd Ste 200

Sandy Springs, GA 30350

Tel: 770-321-2500

Toll Free: 1-800-691-6601

Fax: 770 321 2520

[info@strataproductions.com](mailto:info@strataproductions.com)

[www.strataworldwide.com](http://www.strataworldwide.com)