



# INBLADE PRO

## The revolutionary pneumatic version of our popular InBlade cutter

The **InBlade Pro** adds the comfort to the already unique features of the InBlade thanks to the power of the pneumatic cylinder that moves quickly and accurately the cutting head. The pneumatic cylinder combined with the reliable linear bearing system to guide the cutting head allows the cutting of any material with no need of downward hand pressure.

The **InBlade Pro** is equipped also with a speed control to regulate the velocity of the cutting head depending on the material to be cut, required to guarantee a smooth cut for all uses. The interchangeable cutting head system offers an easy-to-use solution to hold all the available cutting heads and it is ready for being used by new tools developed in the future.

The **InBlade Pro** cutter is available in three cutting sizes 165 cm (65"), 210 cm (82") & 250 cm (98") and it allows cutting the surprising maximum thickness of 20 mm.

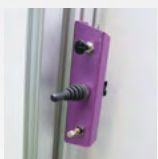
### Features:



Robust pneumatic cylinder to move the cutting head quickly and cut any material with no effort.



Two bearing blocks located on a linear rail for reliable and accurate cutting head guidance.



The pneumatic clamping system offers an easy, fast and reliable way to hold the material.

Speed control to regulate the cutting velocity.



Cutting thickness up to 20 mm for semi-rigid materials.

### Other features:

- Interchangeable cutting head system.
- Laser Beam:  
To indicate the cutting line. Common for all the tools.
- Telescopic legs:  
To find easily the most comfortable working position.
- Easy to set up and to square through the adjusting square system.
- Mounted on the wall or supported by the free standing accessory.



**ALUM COMPOSITE**  
Up to 4 mm  
-Included-



**TRIPLE BLADE**  
Up to 20 mm  
-Accessory-



**ACRYLIC**  
Up to 6 mm  
-Accessory-



**SEMI-RIGIDS**  
Up to 13 mm  
-Included-



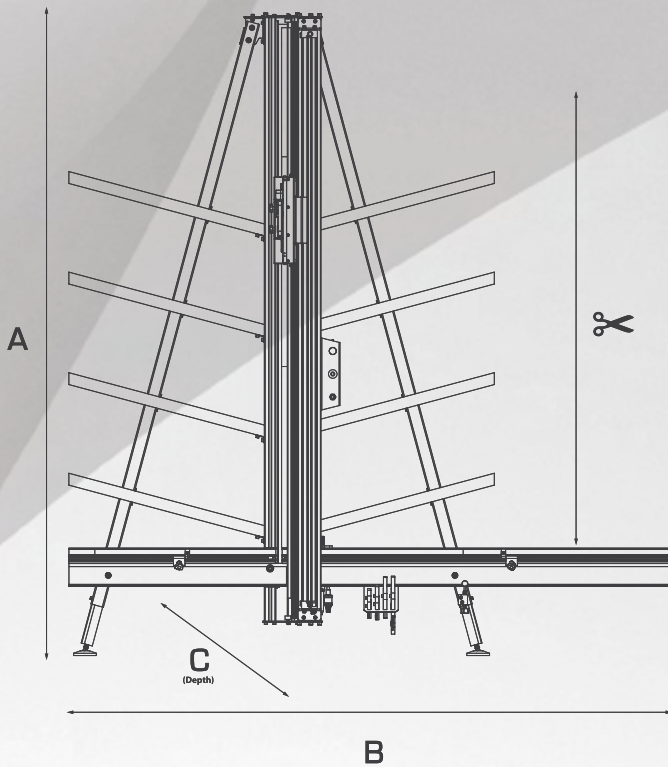
**GLASS**  
Up to 6 mm  
-Accessory-



**V-GROOVE SEMI-RIGIDS**  
Up to 20 mm  
-Accessory-



| Technical data         | 728581 / Inblade 165                  | 728582 / Inblade 210                 | 728583 / Inblade 250                 |
|------------------------|---------------------------------------|--------------------------------------|--------------------------------------|
| Cutting Head Operation | Pneumatic                             | Pneumatic                            | Pneumatic                            |
| Clamp System Operation | Pneumatic                             | Pneumatic                            | Pneumatic                            |
| Cutting Height         | 165 cm / 65 "                         | 210 cm / 82 "                        | 250 cm / 98 "                        |
| Dimensions HxWxD       | 225 x 210 x 56 cm<br>88,5 x 82 x 22 " | 268 x 210 x 56 cm<br>105 x 82 x 22 " | 310 x 210 x 56 cm<br>122 x 82 x 22 " |
| Weight                 | 70 Kg / 154 lb                        | 85 Kg / 187 lb                       | 104 Kg / 229 lb                      |



#### Accessories

|                                  |          |
|----------------------------------|----------|
| Acrylic cutting head             | 45 18 96 |
| Triple blade cutting head        | 45 18 97 |
| Glass cutting head               | 45 18 99 |
| Laser beam                       | 45 06 51 |
| V-Groove cutting heads support   | 45 19 04 |
| Re-board V-groove cutting head   | 45 19 85 |
| Foamboard V-groove cutting head  | 45 19 86 |
| Free standing InBlade 165        | 45 18 01 |
| Free standing InBlade 210        | 45 18 02 |
| Free standing InBlade 250        | 45 19 13 |
| Trapezoid blades -100 units-     | 13 01 30 |
| Acrylic scoring blade -5 units-  | 13 01 25 |
| Circular blade -set 2 units-     | 13 01 72 |
| Re-board V-groove blades -10 u-  | 13 01 79 |
| Foamboard V-groove blades -10 u- | 13 01 80 |
| Glass cutting wheel              | 14 07 43 |
| Silent compressor, 0,5 Hp -9 l-  | 02 09 38 |
| Silent compressor, 1 Hp -24 l-   | 02 09 40 |

| Rigid materials     | Thickness    |
|---------------------|--------------|
| Acrylic / Plexiglas | 6 mm *<br>** |
| Aluminium sheets    | 1,6 mm       |
| Aluminum composites | 4 mm         |
| MDF                 | 4 mm         |
| Glass               | 6 mm *       |

| Semi-rigid materials | Thickness        |
|----------------------|------------------|
| Foamboard            | 13 mm<br>20 mm * |
| PVC                  | 13 mm            |
| Cardboard            | 13 mm<br>20 mm * |
| Honeycomb            | 13 mm<br>20 mm * |
| Corrugated plastic   | 13 mm            |
| Mountboard           | 4 mm             |

\* Optional accessory required. \*\*Possible but not for daily use.

Distributed by:

