



INBLADE PRO

The revolutionary pneumatic version of our popular InBlade cutter

The **InBlade Pro** adds the comfort to the already unique features of the InBlade thanks to the power of the pneumatic cylinder that moves quickly and accurately the cutting head. The pneumatic cylinder combined with the reliable linear bearing system to guide the cutting head allows the cutting of any material with no need of downward hand pressure.

The **InBlade Pro** is equipped also with a speed control to regulate the velocity of the cutting head depending on the material to be cut, required to guarantee a smooth cut for all uses. The interchangeable cutting head system offers an easy-to-use solution to hold all the available cutting heads and it is ready for being used by new tools developed in the future.

The **InBlade Pro** cutter is available in three cutting sizes 165 cm (65"), 210 cm (82"), 250 cm (98") & 305 cm (120") and it allows cutting the surprising maximum thickness of 20 mm.

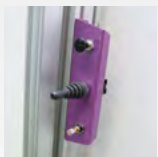
Features:



Robust pneumatic cylinder to move the cutting head quickly and cut any material with no effort.



Two bearing blocks located on a linear rail for reliable and accurate cutting head guidance.



The pneumatic clamping system offers an easy, fast and reliable way to hold the material.

Speed control to regulate the cutting velocity.



Cutting thickness up to 20 mm for semi-rigid materials.

Other features:

- Interchangeable cutting head system.
- Laser Beam:
To indicate the cutting line. Common for all the tools.
- Telescopic legs:
To find easily the most comfortable working position.
- Easy to set up and to square through the adjusting square system.
- Mounted on the wall or supported by the free standing accessory.



ALUM COMPOSITE
Up to 4 mm
-Included-



TRIPLE BLADE
Up to 20 mm
-Accessory-



ACRYLIC
Up to 6 mm
-Accessory-



SEMI-RIGIDS
Up to 13 mm
-Included-



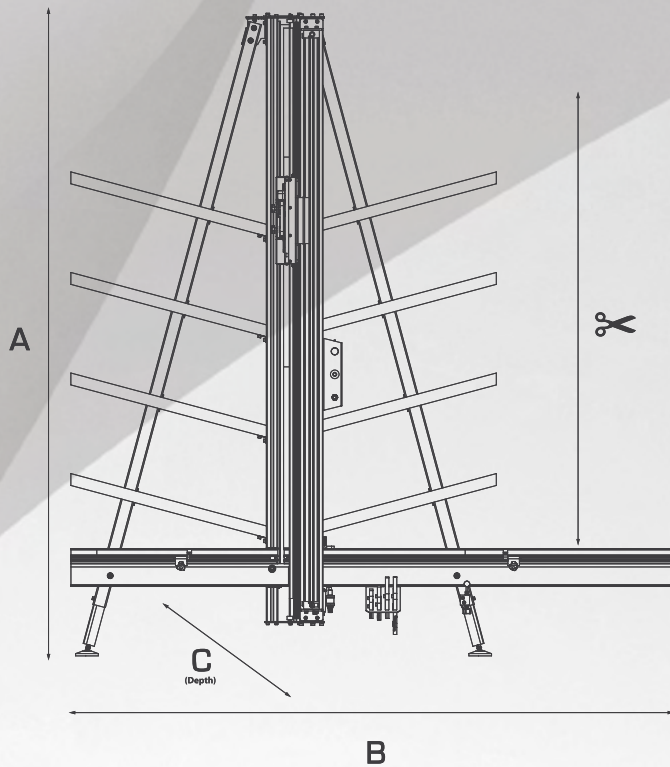
GLASS
Up to 6 mm
-Accessory-



V-GROOVE SEMI-RIGIDS
Up to 20 mm
-Accessory-



Technical data	728581 Inblade Pro 165	728582 Inblade Pro 210	728583 Inblade Pro 250	728584 Inblade Pro 305
Cutting Head Operation	Pneumatic	Pneumatic	Pneumatic	Pneumatic
Clamp System Operation	Pneumatic	Pneumatic	Pneumatic	Pneumatic
Cutting Height	165 cm / 65 "	210 cm / 82 "	250 cm / 98 "	305 cm / 120 "
Dimensions AxBxC	225 x 210 x 56 cm 88,5 x 82 x 22 "	268 x 210 x 56 cm 105 x 82 x 22 "	310 x 210 x 56 cm 122 x 82 x 22 "	365 x 210 x 56 cm 143 x 82 x 22 "
Weight	70 Kg / 154 lb	85 Kg / 187 lb	104 Kg / 229 lb	xx Kg / xxx lb



Accessories

Acrylic cutting head	45 18 96
Triple blade cutting head	45 18 97
Glass cutting head	45 18 99
Laser beam	45 06 51
V-Groove cutting heads support	45 19 04
Re-board V-groove cutting head	45 19 85
Foamboard V-groove cutting head	45 19 86
Free standing InBlade 165	45 18 01
Free standing InBlade 210	45 18 02
Free standing InBlade 250	45 19 13
Free standing InBlade 305	XX XX XX

Spares

Trapezoid blades -100 units-	13 01 30
Acrylic scoring blade -5 units-	13 01 25
Circular blade -set 2 units-	13 01 72
Re-board V-groove blades -10 u-	13 01 79
Foamboard V-groove blades -10 u-	13 01 80
Glass cutting wheel	14 07 43

Compressors

Silent compressor, 0,5 Hp -9 l-	02 09 38
Silent compressor, 1 Hp -24 l-	02 09 40

Rigid materials	Thickness
Acrylic / Plexiglas	6 mm **
Aluminium sheets	1,6 mm
Aluminum composites	4 mm
MDF	4 mm
Glass	6 mm *

Semi-rigid materials	Thickness
Foamboard	13 mm 20 mm *
PVC	13 mm
Cardboard	13 mm 20 mm *
Honeycomb	13 mm 20 mm *
Corrugated plastic	13 mm
Mountboard	4 mm

* Optional accessory required. **Possible but not for daily use.

Distributed by:

