

xTool P2

Todos los productos
e-business



CO2 Laser

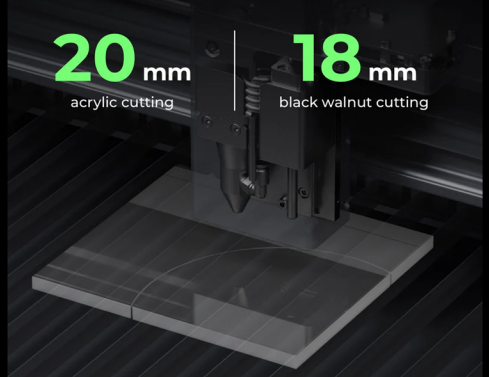


Powerful 55W CO2 Laser

Cut thick materials in one pass

20 mm
acrylic cutting

18 mm
black walnut cutting



55W
laser power

**BUILT-IN
AIR
ASSIST**



Auto passthrough

600mm/s

MAX. engraving speed

**Curved
surface
engraving**



LightBurn support