



## Security Products

PLEASE REFER TO  
[WWW.REDBOOKLIVE.COM](http://WWW.REDBOOKLIVE.COM)  
FOR THE FULL SCOPE OF  
CERTIFICATION

### Product Range

TORLIFT  
DEFENDER SEC 3  
SENTRY 37  
SENTRY 37-RH  
SENTRY 47  
SENTRY 47-RH  
SENTRY 45  
BRIPLATE SUB  
MULTIGUARD 3  
MULTIGUARD V3  
CAGES  
KIOSKS  
BAR SETS  
DOORS  
SENTRY APB  
SAMPLE TAP BOXES  
SECURITY BOXES & PANELS



# TORLIFT SECURITY COVER

Tel: 0121 521 4500 Fax: 0121 521 4551 Email: sales@steelwaybrickhouse.co.uk www.steelway.co.uk

Steelway Torlift range of access covers and frames are operable from above and below (subject to safety grid option) and are designed for use on a variety of applications that require a tower level of security combined with frequent opening. The Torlift range is subject to slow moving vehicular traffic upto FACTA classification D. All of the products within the Torlift range incorporate heavy gauge torsion springs for ease of opening by one person. The range incorporates a deep channel frame which is sealed by EPDM or Nitrile and can be drained into the chamber or by weep pipes externally. Its frame design offers excellent stability under load. The Torlift range is suitable for all applications especially on new builds where rebates are to be cast or where road conditions are being built up around the framing.

- Single skin flush fitting
- Torsion spring assisted for single person operation
- Cover operable from both above and below
- Internal fixings for increased security
- EPDM or Nitrile sealed
- Load tested to FACTA classification loadings A-D or to the requirements of BS9124
- Special operation security lock to deter opportunistic vandalism
- Hidden tamperproof hinges
- Supplied as standard with cover safety stays to prevent accidental closure
- Galvanized to BSEN ISO1461

### Additional Features

- /M1 Open mesh walk on safety grid
- /G1 Single piece hinged safety grid
- /T1 Single pump pull through safety grid
- /T2 Twin pump pull through safety grid
- /FS Chamber security fixing straps
- /140G 140 micron galvanizing
- /RAL Powder coating over galvanizing
- /SRC Slip reducing coating
- /FXK Fixing bolts
- /PB Demountable posts and barriers

### Size Range

Available in any size from 500 x 500mm clear opening to suit any chamber opening dimensions

### Cover Configurations

- FA - Single
- FB - Twin In-Line
- FC - Twin End Hinged
- FD - Triple In-Line
- FE - Triple 3 Side Hinged



### PRODUCT REFERENCES

Fig TOAA	Single Units	FACTA A
Fig TOAB	Single Units	FACTA B
Fig TOAC	Single Units	FACTA C
Fig TOAD	Single Units	FACTA D
Fig TOBA	Twin In-Line	FACTA A
Fig TOBB	Twin In-Line	FACTA B
Fig TOBC	Twin In-Line	FACTA C
Fig TOBD	Twin In-Line	FACTA D
Fig TOCA	Twin End Hinged	FACTA A
Fig TOCB	Twin End Hinged	FACTA B
Fig TOCC	Twin End Hinged	FACTA C
Fig TOCD	Twin End Hinged	FACTA D
Fig TODA	Triple In-Line	FACTA A
Fig TODB	Triple In-Line	FACTA B
Fig TODC	Triple In-Line	FACTA C
Fig TODD	Triple In-Line	FACTA D
Fig TOBA	Single Span In-line Duct	FACTA A
Fig TOBB	Single Span In-line Duct	FACTA B
Fig TOBC	Single Span In-line Duct	FACTA C
Fig TOBD	Single Span In-line Duct	FACTA D
Fig TOCA	Twin End Hinged Duct	FACTA A
Fig TOCB	Twin End Hinged Duct	FACTA B
Fig TOCC	Twin End Hinged Duct	FACTA C
Fig TOCD	Twin End Hinged Duct	FACTA D

# DEFENDER SEC3

## LEVEL 3 FLUSH COVER

Tel: 0121 521 4500 Fax: 0121 521 4551 Email: sales@steelwaybrickhouse.co.uk www.steelway.co.uk

Steelway Defender SEC3 range of access covers and frames are designed for use on a variety of applications that require protection from opportunistic attack or vandalism. The range of Defender SEC3 are approved to LPS1175 SR3 rating. The design allows for frequent opening and is suitable for applications that have the use of slow moving vehicular traffic up to FACTA class D. All of the products within the Defender SEC3 range incorporate heavy gauge torsion springs for ease of opening by one person. The range incorporates a deep channel frame which is sealed by EPDM or Nitrile and can be drained into the chamber or by weep pipes externally. Its frame design offers excellent stability under load. The Defender range is suitable for all applications especially on new builds where rebates are to be cast or where road conditions are being built up around the framing.

### Standard Features

- Tested to LPS1175 Iss 7
- Single skin flush fitting
- Torsion spring assisted for single person operation
- 106mm Deep frame for stability
- Internal fixings for increased security
- EPDM or Nitrile sealed
- Load tested to FACTA classification loadings A-D or to the requirements of BS9124
- SEC3 Stamp-Lock™ locking for utility padlocks
- Hidden tamperproof hinges
- Supplied as standard with single piece hinged safety grids
- Supplied as standard with cover safety stays to prevent accidental closure
- Galvanized to BSEN ISO1461

### Additional Features

- /M1 Open mesh walk on safety grid
- /T1 Single pump pull through safety grid
- /T2 Twin pump pull through safety grid
- /CF Cable entry flaps
- /PI Hinged peep in cover flap
- /140G 140 micron galvanizing
- /RAL Powder coating over galvanizing
- /SRC Slip reducing coating
- /FXK Fixing bolts
- /PB Demountable posts and barriers

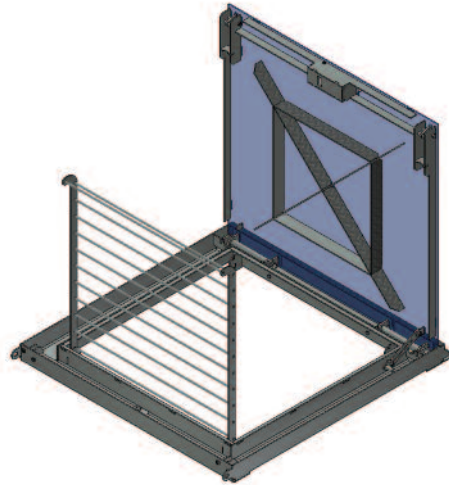
### Size Range

Available in any size from 500 x 500mm clear opening up to 1500 x 1000mm

### Cover Configurations

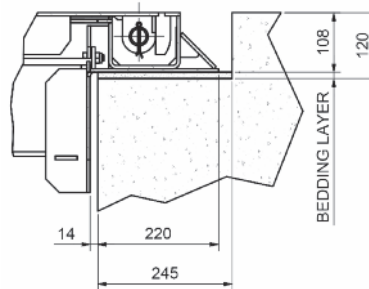
3FA - Single

For multiple pit layouts or non available sizes, please contact our sales department

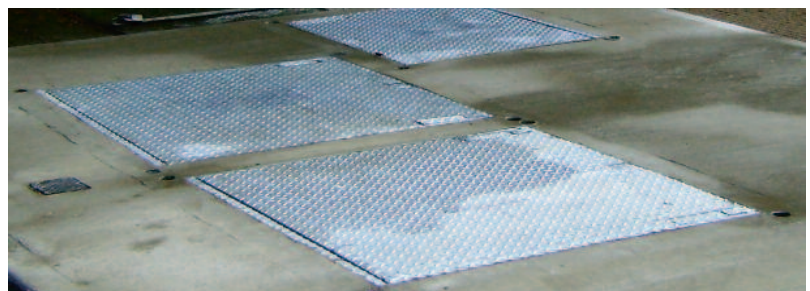
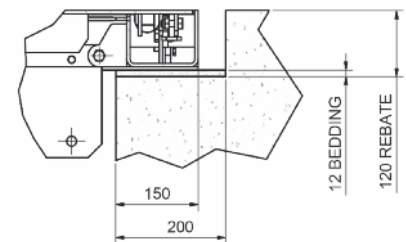


LPS LPS1175: Issue 7  
Cert/LPCB ref. 645b

Front & Rear Sections



Side Sections



**Stamp-Lock 3™**



### STAMPLOCK LOCKING MECHANISM

- Facility to fit numerous utility padlocks
- Locks are fully replaceable
- Anti-theft built into the design
- Operator friendly
- LPS1175 SR3

### PRODUCT REFERENCES

Fig 3FAA	Single Units	FACTA A
Fig 3FAB	Single Units	FACTA B
Fig 3FAC	Single Units	FACTA C
Fig 3FAD	Single Units	FACTA D

### Example Specification

Fig 3FAD800800/M1/PB = Single unit FACTA D loading / 800 x 800mm clear opening / Single walk on safety grid / Complete with demountable safety barriers

# SENTRY37

## LEVEL 3 UPSTAND SECURITY COVER

Tel: 0121 521 4500 Fax: 0121 521 4551 Email: sales@steelwaybrickhouse.co.uk www.steelway.co.uk

Steelway Sentry37 range of upstanding reservoir access covers and frames are designed for use on a variety of applications that require protection from opportunistic attack or vandalism. The range of Sentry37 are approved to LPS1175 Iss 7 SR3 rating. The design allows for frequent opening and is suitable for all applications where weather proofing is essential. This can be combined with ventilation where required. All of the products within the range have torsion springs for ease of opening by one person. The range can be supplied with or without an inner cover. Within the frame is the facility to attach alarm contacts and a junction box.

### Standard Features

- Certified to LPS1175 SR3 Iss 7
- Twin skin WRC sealed and vented
- Torsion spring assisted for single person operation
- Upstanding frame
- Internal fixings for increased security
- Load tested to FACTA classification loadings A
- Shrouded 3 point locking for utility padlocks
- Hidden tamperproof hinges
- Supplied as standard with single piece hinged safety grids
- Supplied as standard with cover safety stays to prevent accidental closure
- Galvanized to BSEN ISO1461

### Additional Features

- /1S No inner cover - Single skin
- /LG Ladder extension auto locking safety grid
- /RAL Powder coating over galvanizing
- /SRC Slip reducing coating
- /FXK Fixing bolts
- /1AB Alarm bracket

### Size Range

Available in any size from 300 x 300mm clear opening up to 1500 x 2200mm

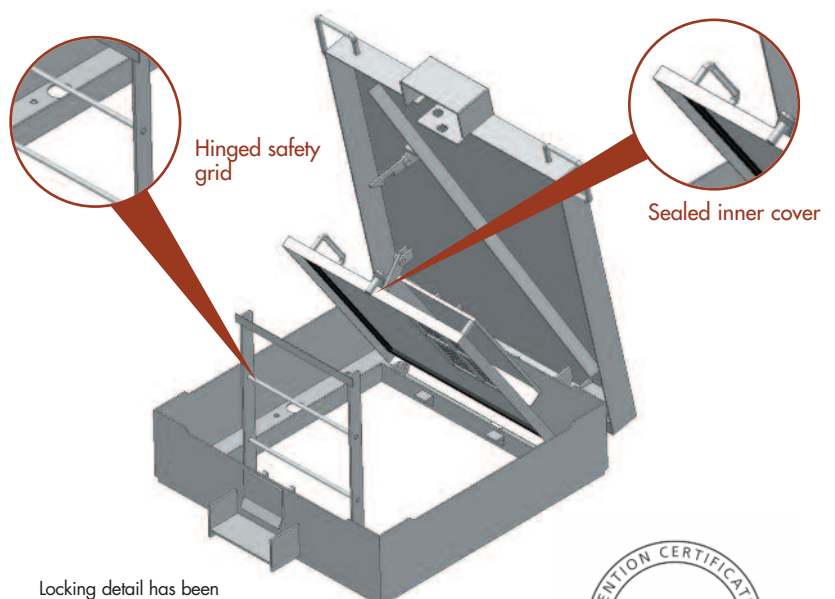
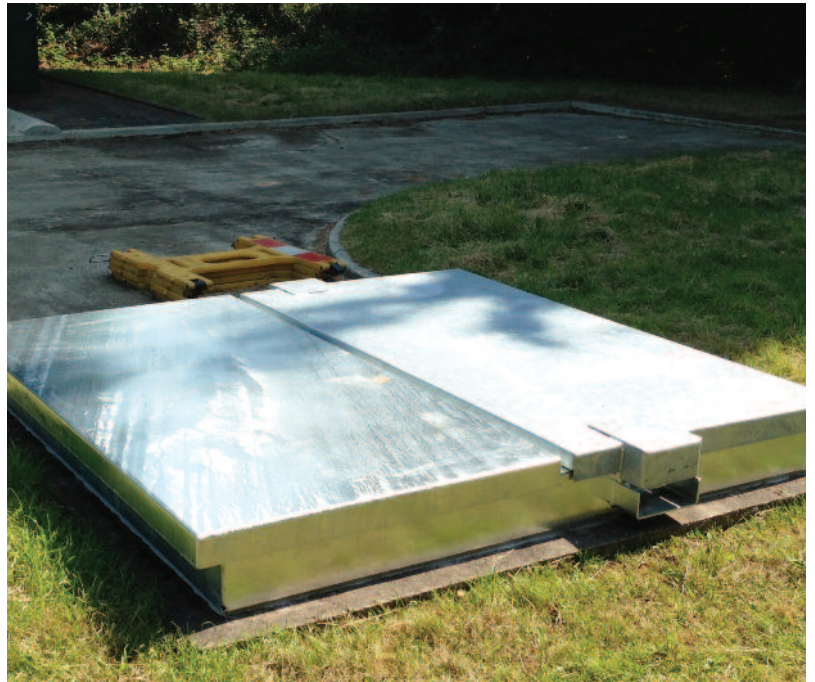
### Product References

- SA3 - Single
- 2SA3 - Twin
- SV3 - Ventilator cover
- SE3 - Valve cover

For multiple pit layouts, please contact our sales department

### Example Specification

Fig 2SA3/22001200/LG/AB = Twin unit / 2200 x 1200mm clear opening / hinged ladder extension safety grids / Complete with alarm brackets



Locking detail has been removed for security reasons.



LPS LPS1175: Issue 7  
Cert/LPCB ref. 645b

# SENTRY37RH

## LEVEL 3 SECURITY ROOF HATCH

Tel: 0121 521 4500 Fax: 0121 521 4551 Email: sales@steelwaybrickhouse.co.uk www.steelway.co.uk

Steelway Sentry37RH range of security roof hatches are designed for use on a variety of applications that require protection from opportunistic attack or vandalism. The range of Sentry37RH are approved to LPS1175 Iss 7 SR3 rating. The design primarily suits large chambers either raised or at ground level where infrequent removal of the main hatch is required. However, the design allows for frequent access by personnel through a Sentry3 access cover. The Sentry37RH is watershedding and suitable for all chambers that require weather proofing. All of the products within the range incorporate large lift off cover sections which require mechanical lifting but all entry access points have torsion springs for ease of opening by one person. Within the frame is the facility to attach alarm contacts and a junction box.

### Standard Features

- Certified to LPS1175 SR3 Iss 7
- Single skin access cover and frame
- Slip reducing coating
- Torsion spring assisted on entry points for single person operation
- Upstanding frame
- Internal fixings for increased security
- Load tested to FACTA classification loadings A
- Shrouded 3 point locking for utility padlocks on entry points
- Shoot bolt internal locking on main access covers
- Hidden tamperproof hinges
- Entry access covers supplied with single piece ladder extension auto locking safety grids
- Entry access covers supplied with safety stays to prevent accidental closure
- Galvanized to BSEN ISO1461

### Additional Features

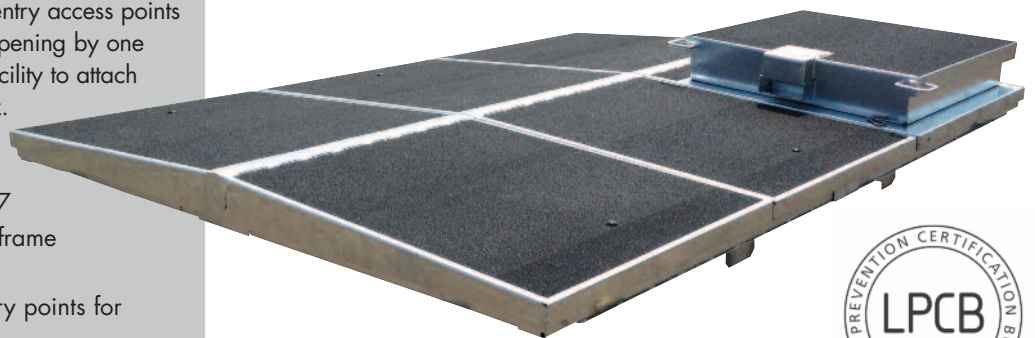
- /1AB Alarm bracket
- /RAL Powder coating over galvanizing
- /FXK Fixing bolts
- /ACC Steelway designed and fabricated stair and handrail system (Please contact our sales office for further details)

### Size Range

Available in sizes from 1200 x 1200mm clear opening. Please contact our sales office with your requirements.

### Product Reference

SRH3 - SR3 Roof hatch



LPS LPS1175: Issue 7  
Cert/LPCB ref. 645b



### Example Specification

Fig SRH3/30002000/1AB = Level 3 roof hatch / 3000 x 2000mm clear opening / one alarm and jct box bracket per access point

# SENTRY47

## LEVEL 4 ISS.7 UPSTAND SECURITY COVER

Tel: 0121 521 4500 Fax: 0121 521 4551 Email: sales@steelwaybrickhouse.co.uk www.steelway.co.uk

Steelway Sentry47 range of upstanding reservoir access covers and frames are designed for use on a variety of applications that require protection from opportunistic attack or vandalism. The range of Sentry47 are approved to LPS1175 Iss 7 SR4 rating. The design allows for frequent opening and is suitable for applications over potable water where security of seal and drawdown ventilation is required. All of the products within the range have torsion springs for ease of opening by one person. The range incorporates a moated frame and inner cover which is sealed by a WRC approved sealing strip to ensure that the ingress of contaminated liquids is not possible. Within the frame is the facility to attach alarm contacts and a junction box.

### Standard Features

- Certified to LPS1175 SR4 Iss 7
- Twin skin WRC sealed and vented
- Torsion spring assisted for single person operation
- Upstanding frame
- Internal fixings for increased security
- Load tested to FACTA classification loadings A
- Shrouded 3 point locking for utility padlocks
- Hidden tamperproof hinges
- Supplied as standard with single piece hinged safety grids
- Supplied as standard with cover safety stays to prevent accidental closure
- Galvanized to BSEN ISO1461

### Additional Features

- /1S No inner cover - Single skin
- /LG Ladder extension auto locking safety grid
- /1AB Alarm bracket
- /RAL Powder coating over galvanizing
- /SRC Slip reducing coating
- /FXK Fixing bolts

### Size Range

Available in any size from 475 x 475mm clear opening up to 1200 x 1200mm

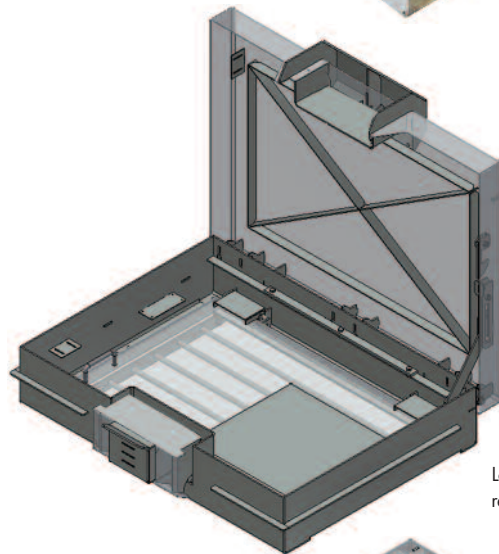
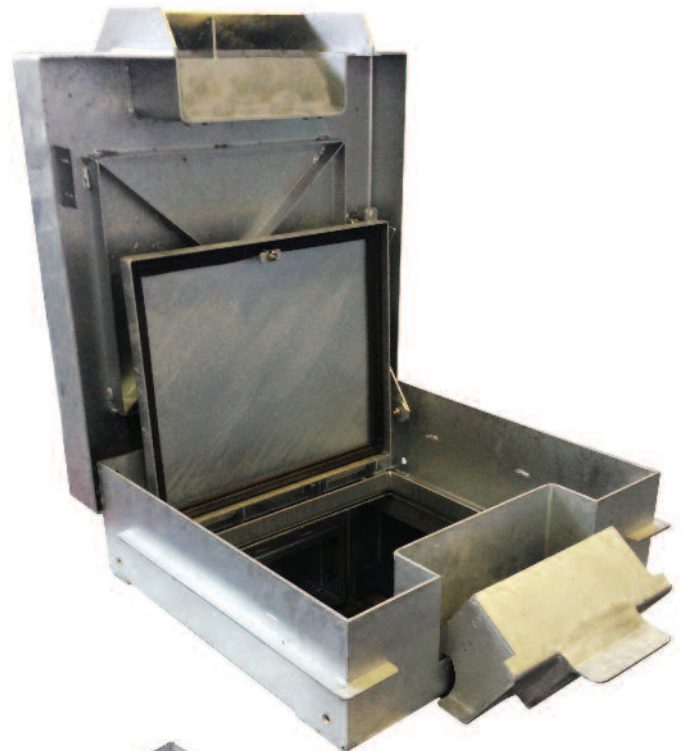
### Cover Configurations

- SA47 - Single
- SV47 - Ventilator cover
- SE47 - Valve cover

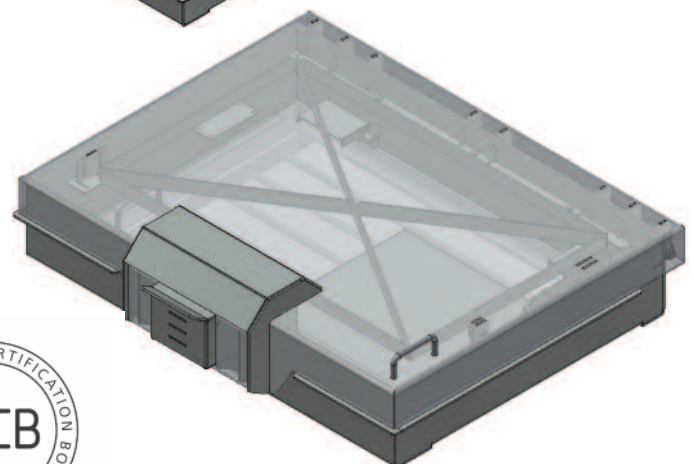
For multiple pit layouts, please contact our sales department

### Example Specification

Fig SA47/900900/1S = Single cover / 900 x 900mm clear opening / Single skin (no inner cover)



Locking detail has been removed for security reasons.



LPS LPS1175: Issue 7  
Cert/LPCB ref. 645b

# SENTRY47RH

## LEVEL 4 SECURITY ROOF HATCH

Tel: 0121 521 4500 Fax: 0121 521 4551 Email: sales@steelwaybrickhouse.co.uk www.steelway.co.uk

Steelway Sentry47RH range of security roof hatches are designed for use on a variety of applications that require protection from opportunistic attack or vandalism. The range of Sentry47RH are approved to LPS1175 Iss 7 SR4 rating. The design primarily suits large chambers either raised or at ground level where infrequent removal of the main hatch is required. However, the design allows for frequent access by personnel through a Sentry4 access cover. The Sentry47RH is watershedding and suitable for all chambers that require weather proofing. All of the products within the range incorporate large lift off cover sections which require mechanical lifting but all entry access points have torsion springs for ease of opening by one person. Within the frame is the facility to attach alarm contacts and a junction box.

### Standard Features

- Certified to LPS1175 SR4 Iss 7
- Single skin access cover and frame
- Slip reducing coating
- Torsion spring assisted on entry points for single person operation
- Upstanding frame
- Internal fixings for increased security
- Load tested to FACTA classification loadings A
- Shrouded locking for utility padlocks on entry points
- Shoot bolt internal locking on main access covers
- Hidden tamperproof hinges
- Entry access covers supplied with single piece ladder extension auto locking safety grids
- Entry access covers supplied with safety stays to prevent accidental closure
- Galvanized to BSEN ISO1461

### Additional Features

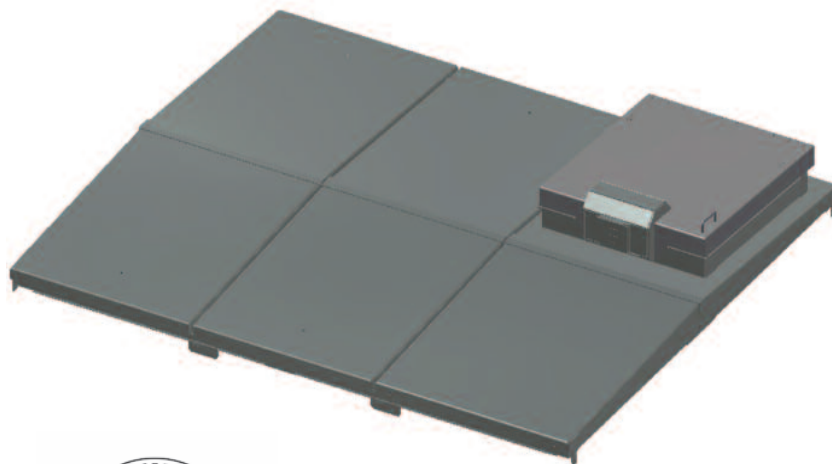
- /1AB Alarm bracket
- /RAL Powder coating over galvanizing
- /FXK Fixing bolts
- /ACC Steelway designed and fabricated stair and handrail system (Please contact our sales office for further details)

### Size Range

Available in sizes from 1200 x 1200mm clear opening. Please contact our sales office with your requirements

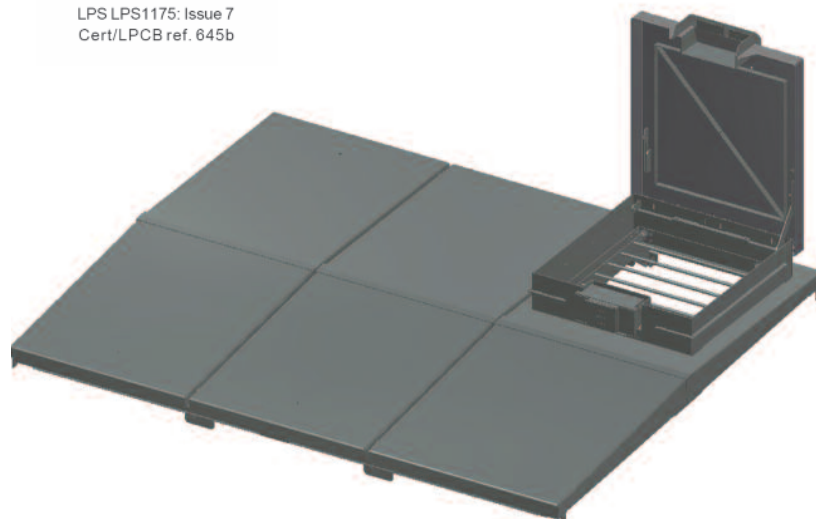
### Cover Configurations

SRH47 - SR4 Roof hatch



LPS LPS1175: Issue 7  
Cert/LPCB ref. 645b

Locking detail has been removed for security reasons.



### Example Specification

Fig SRH47/30002000/1AB = Level 4 roof hatch / 3000 x 2000mm clear opening / one alarm and jct box bracket per access point

# SENTRY45

## LEVEL 4 ISS.5 UPSTAND SECURITY COVER

Tel: 0121 521 4500 Fax: 0121 521 4551 Email: sales@steelwaybrickhouse.co.uk www.steelway.co.uk

Steelway Sentry45 range of upstanding reservoir access covers and frames are designed for use on a variety of applications that require protection from opportunistic attack or vandalism. The range of Sentry45 are approved to LPS1175 Iss 5 SR4 rating. The design allows for frequent opening and is suitable for applications over potable water where security of seal and drawdown ventilation is required. All of the products within the range have torsion springs for ease of opening by one person. The range incorporates a moated frame and inner cover which is sealed by a WRC approved sealing strip to ensure that the ingress of contaminated liquids is not possible. Within the frame is the facility to attach alarm contacts and the junction box. Please note that this product is only suitable where LPS1175 SR4 Issue 5 is accepted.

### Standard Features

- Certified to LPS1175 SR4 Iss 5
- Twin skin WRC sealed and vented
- Torsion spring assisted for single person operation
- Upstanding frame
- Internal fixings for increased security
- Load tested to FACTA classification loadings A
- Shrouded 3 point locking for utility padlocks
- Hidden tamperproof hinges
- Supplied as standard with single piece hinged safety grids
- Supplied as standard with cover safety stays to prevent accidental closure
- Galvanized to BSEN ISO1461

### Additional Features

- /1S No inner cover - Single skin
- /1AB Alarm bracket
- /LG Ladder extension auto locking safety grid
- /RAL Powder coating over galvanizing
- /SRC Slip reducing coating
- /FXK Fixing bolts

### Size Range

Available in any size from 300 x 300mm clear opening up to 1200 x 2200mm

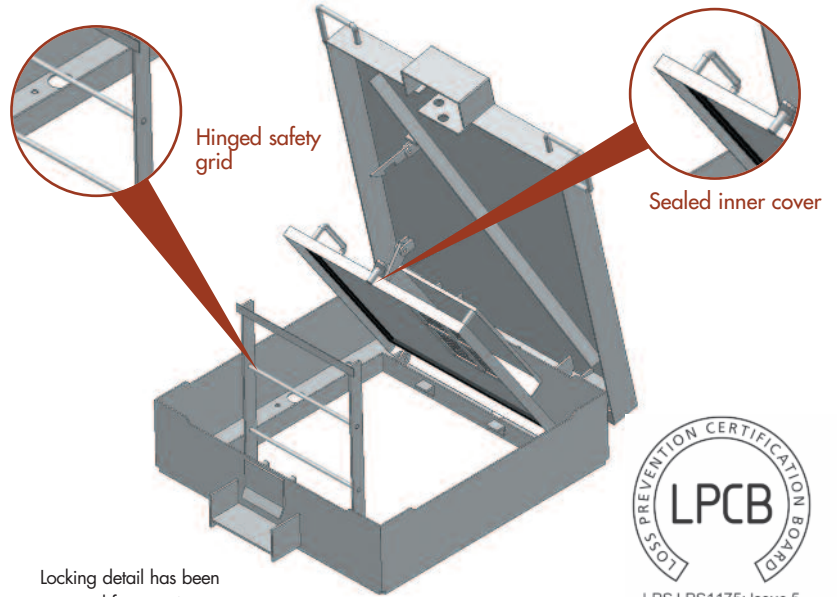
### Covers configurations include

- SA45 - Single
- SV45 - Ventilator cover
- SE45 - Valve cover
- 2SA45 - Twin cover

For multiple pit layouts, please contact our sales department

### Example Specification

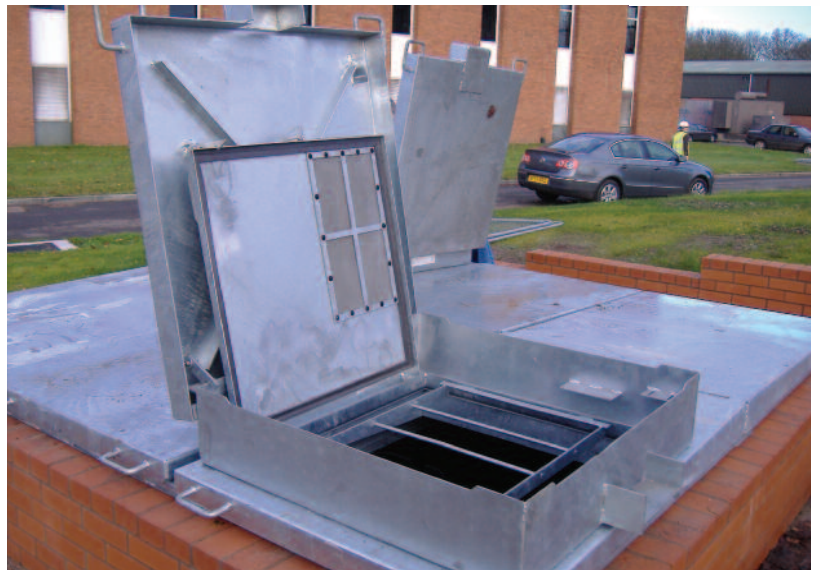
Fig SA45/900900/1S = Single cover / 900 x 900mm clear opening / Single skin (no inner cover)



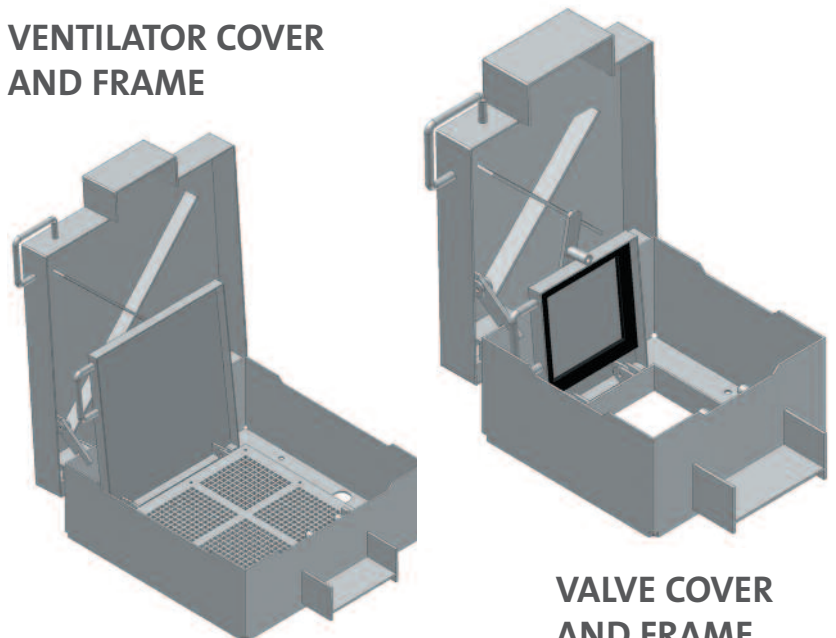
Locking detail has been removed for security reasons.



LPS LPS1175: Issue 5  
Cert/LPCB ref. 645a



### VENTILATOR COVER AND FRAME



### VALVE COVER AND FRAME



# BRIPLATE SUB

## SECURITY UNDERCOVER

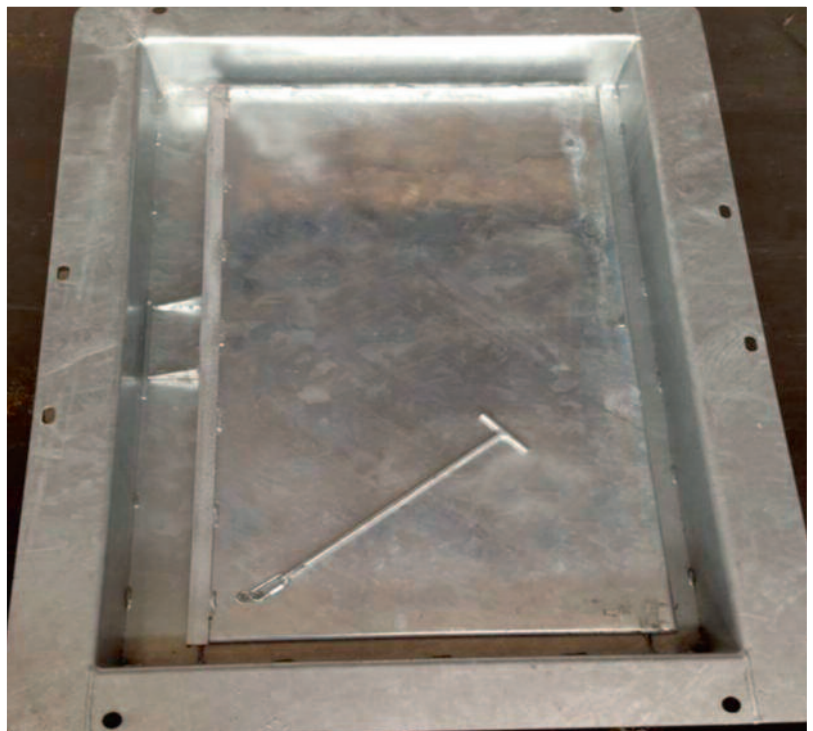
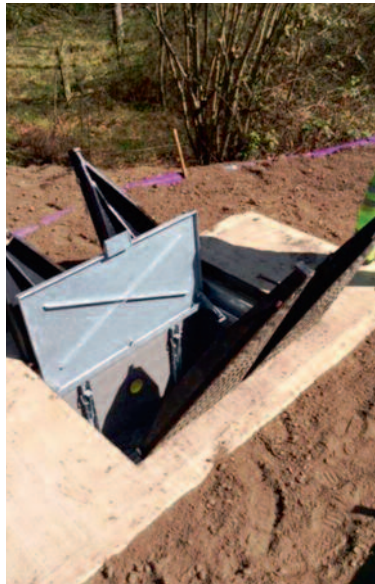
Tel: 0121 521 4500 Fax: 0121 521 4551 Email: sales@steelwaybrickhouse.co.uk www.steelway.co.uk

Steelway Briplate SUB range of security undercovers and frames are designed for use on a variety of applications that require the protection of assets underneath traditional ductile iron carriageway units. The range is primarily designed to sit directly beneath the SGP Pam range of Opt-Emax products however can also be installed as a retro-fit solution on a multitude of chambers. The Briplate SUB is designed to prevent unauthorised entry into chambers but also features a moated frame to prevent the ingress of flammable liquids thus preventing damage to the assets beneath by fire.

- LPS1175 SR3 Iss7 Certified (SUB3 Range ONLY)
- Moated frame to prevent the ingress of flammable liquids
- Captive hinged for one person operation
- Ergonomic lifting handle for ease of opening
- Auto safety stay to prevent accidental closure when in the open position
- Fully hardened hasp & staple for a range of padlocks
- Minimum 3mm thick mild steel
- Fully flanged frame for use with Opt-Emax ductile iron units (SUB3 Range ONLY)
- Galvanized to BSEN ISO1461

### Size Range

Available in any size from 450 wide to 1800mm clear opening to suit any chamber opening dimensions



LPS LPS1175: Issue 7  
Cert/LPCB ref. 645b



### PRODUCT REFERENCES

Fig PLSUB3A	LPS1175 SR3 Issue7 to suit Opt-Emax 1340 x 900 mmc/o
Fig PLSUB3B	LPS1175 SR3 Issue7 to suit Opt-Emax 750 x 700 mmc/o
Fig PLSUB3C	LPS1175 SR3 Issue7 to suit Opt-Emax 600 x 450 mmc/o
Fig PLSUB3/2	LPS1175 SR3 Issue7 to suit a telecomms chamber no 2
Fig PLSUB3/4	LPS1175 SR3 Issue7 to suit a telecomms chamber no 4
Fig PLSUB3/5	LPS1175 SR3 Issue7 to suit a telecomms chamber no 5
Fig PLSUB3/6	LPS1175 SR3 Issue7 to suit a telecomms chamber no 6
Fig PLSUB3/10	LPS1175 SR3 Issue7 to suit a telecomms chamber no 10
Fig PLSUB3/11	LPS1175 SR3 Issue7 to suit a telecomms chamber no 11
Fig PLSUB3/JC1	LPS1175 SR3 Issue7 to suit a telecomms chamber no JC1
Fig PLSUB	Non LPS1175 450mm up to 1800mm

For information on Opt-Emax, please contact Saint-Gobain Pam UK on 01159 305000



# MULTI-GUARD 3

## LEVEL 3 FLUSH FIT OR UPSTANDING COVER

Tel: 0121 521 4500 Fax: 0121 521 4551 Email: sales@steelwaybrickhouse.co.uk www.steelway.co.uk

Steelway Multi-Guard3 range of access covers can be installed flush or left upstanding and provides protection from opportunistic attack or vandalism and are designed for use on a variety of projects containing chambers that are opened frequently and are accessible by slow moving vehicular traffic. The design includes both lift off and hinged cover sections which allows all ranges of sizes to be covered in a cost effective manner. The Multi-Guard3 range can incorporate frame vents which allows air to move from within the chamber and can also be supplied with a sound reducing internal cladding. The entry hatch covers are supplied with torsion springs for ease of opening by one person.

### Standard Features

- Certified to LPS1175 SR3 Iss 7
- Single skin flush fit frame
- 150mm deep for stability under load
- Torsion spring assisted for single person operation
- Water resistant when the channel is drained to a suitable soak away
- Internal fixings for increased security
- Load tested to FACTA classification loadings A-D or to the requirements of BS9124
- SEC3 Stamp-Lock™ locking for utility padlocks
- Hidden tamperproof hinges
- Supplied as standard with cover safety stays to prevent accidental closure
- Galvanized to BSEN ISO1461

### Additional Features

- /E EPDM sealed
- /G Hinged safety grid
- /M1 Walk on safety grid
- /T1 Single pump pull through safety grid
- /T2 Twin pump pull through safety grid
- /PB Demountable posts and barriers
- /140G 140 micron galvanizing
- /RAL Powder coating over galvanizing
- /SRC Slip reducing coating
- /FXK Fixing bolts
- /V Ventilated frame

### Size Range

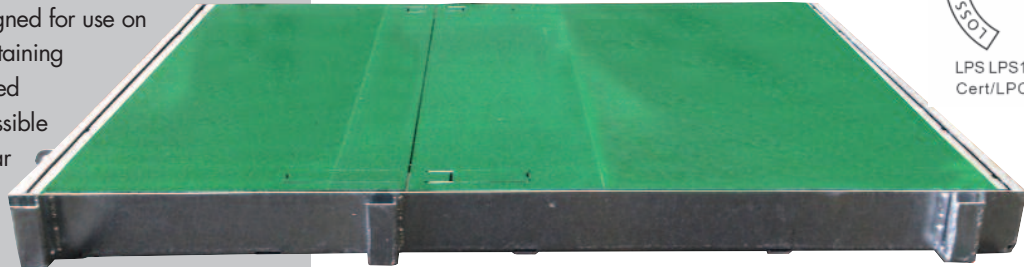
Available in any size from 475 x 475mm clear opening to suit any chamber opening dimensions

### Covers configurations include

- MGA - Single
- MGC - Twin End Hinged
- MGH - Twin End Hinged c/w lift out centre cover
- MGD - Twin End Hinged Duct c/w multi lift out centre covers

### AVAILABLE LOADINGS

A B C D



LPS LPS1175: Issue 7  
Cert/LPCB ref. 645b



### STAMPLOCK LOCKING MECHANISM

- Facility to fit numerous utility padlocks
- Locks are fully replaceable
- Anti-theft built into the design
- Operator friendly
- LPS1175 SR3



### PRODUCT REFERENCES

Fig MGAA	Single Units	FACTA A
Fig MGAB	Single Units	FACTA B
Fig MGAC	Single Units	FACTA C
Fig MGAD	Single Units	FACTA D
Fig MGCA	Twin End Hinged	FACTA A
Fig MGCB	Twin End Hinged	FACTA B
Fig MGCC	Twin End Hinged	FACTA C
Fig MGCD	Twin End Hinged	FACTA D
Fig MGHA	Twin End Hinged C/W Lift out centre cover	FACTA A
Fig MGHB	Twin End Hinged C/W Lift out centre cover	FACTA B
Fig MGHC	Twin End Hinged C/W Lift out centre cover	FACTA C
Fig MGHD	Twin End Hinged C/W Lift out centre cover	FACTA D
Fig MGDA	Twin End Hinged Duct C/W Multiple Lift out centre covers	FACTA A
Fig MGDB	Twin End Hinged Duct C/W Multiple Lift out centre covers	FACTA B
Fig MGDC	Twin End Hinged Duct C/W Multiple Lift out centre covers	FACTA C
Fig MGDD	Twin End Hinged Duct C/W Multiple Lift out centre covers	FACTA D

### Example Specification

Fig MGC20001000/E/M1 = Twin end hinged cover / 2000 x 1000mm clear opening / EPDM sealed / Single walk on safety grid under each cover

# MULTI-GUARD V3

## LEVEL 3 UPSTANDING VENT COVER

Tel: 0121 521 4500 Fax: 0121 521 4551 Email: sales@steelwaybrickhouse.co.uk www.steelway.co.uk

Steelway Multi-GuardV3 Upstanding range of access covers and frames provide protection from opportunistic attack or vandalism and are designed for use on a variety of projects containing chambers that are opened frequently but are not subject to vehicular traffic. The Multi-GuardV3 range incorporates baffled vents for maximum airflow from within the chamber and where required are supplied with a sound proof acoustic internal cladding. The design includes both lift off and hinged cover sections which allows all ranges of sizes to be covered in a cost effective manner. The hinged covers are supplied with torsion springs for ease of opening by one person. The Multi-GuardV3 ranges are water resistant and are easy to install on refurbishment sites as no rebates are required.

### Standard Features

- Certified to LPS1175 SR3 Iss 7
- Single skin upstanding frame
- Torsion spring assisted for single person operation
- Water resistant
- Internal fixings for increased security
- Maximum ventilation around the frame
- Baffled centre cover ventilation shrouds
- Load tested to FACTA classification A
- SEC3 Stamp-Lock™ locking for utility padlocks
- Hidden tamperproof hinges
- Supplied as standard with hinged safety grids
- Supplied as standard with cover safety stays to prevent accidental closure
- Galvanized to BSEN ISO1461

### Additional Features

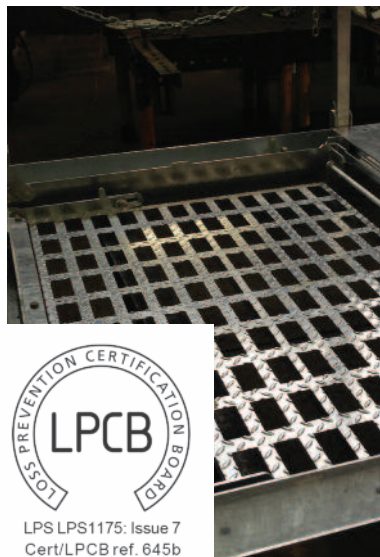
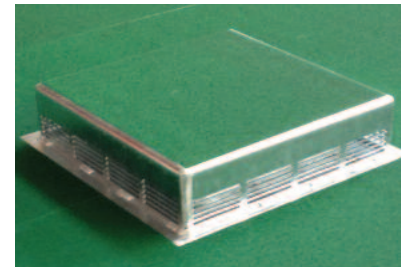
- /G Hinged safety grid
- /M1 Walk on safety grid
- /T1 Single pump pull through safety grid
- /T2 Twin pump pull through safety grid
- /PB Demountable posts and barriers
- /HB Hinged posts and chain barriers
- /140G 140 micron galvanizing
- /RAL Powder coating over galvanizing
- /SRC Slip reducing coating
- /FXK Fixing bolts
- /NRC Noise Reduction Cladding

### Size Range

Available in a multitude of sizes from 475 x 475mm clear opening to suit any chamber opening dimensions

### Covers configurations include

- MGVA - Single
- MGVC - Twin End Hinged
- MGVH - Twin End Hinged c/w lift out centre cover
- MGVD - Twin End Hinged Duct c/w multi lift out centre covers



**Stamp-Lock 3™**



### STAMPLOCK LOCKING MECHANISM

- Facility to fit numerous utility padlocks
- Locks are fully replaceable
- Anti-theft built into the design
- Operator friendly
- LPS1175 SR3

### PRODUCT REFERENCES

Fig MGVA	Single Units	FACTA A
Fig MGVC	Twin End Hinged	FACTA A
Fig MGVH	Twin End Hinged C/W Lift out centre cover	FACTA A
Fig MGVD	Twin End Hinged Duct C/W Multiple Lift out centre covers	FACTA A

### Example Specification

Fig MGVH30001000/M1 = Twin end hinged unit with central lift off cover / 3000 x 1000mm clear opening / Single walk on safety grid under each cover

# CAGES & MESH WALL SYSTEMS

Tel: 0121 521 4500 Fax: 0121 521 4551 Email: sales@steelwaybrickhouse.co.uk www.steelway.co.uk

Cage systems provide a suitable solution for securing assets that require a lower level of physical protection than a kiosk offers. Cages also benefit from improved light entry and ventilation. Steelway fabricate cages that are certified to LPS 1175 SR2 and SR3.

- Easy to erect cage panels for ease of installation
- Available as stand alone cages or 3 sided wall lean to systems
- Shrouded padlock locking
- Internally fixed
- Single or double doors
- Available in a multitude of sizes
- Galvanized to BSEN ISO1461 with additional powder coatings to available RAL and BS colours



LPS LPS1175: Issue 7  
Cert/LPCB ref.  
1071b & 1071c

# KIOSKS & SOLID WALL SYSTEMS

Tel: 0121 521 4500 Fax: 0121 521 4551 Email: sales@steelwaybrickhouse.co.uk www.steelway.co.uk

Kiosks and enclosures provide optimum security combined with easy and fast installation. Steelway can supply and install a range of LPS1175 SR3 & SR4 certified kiosks, cabinets and buildings which are suitable for a multitude of applications across all market sectors.

- Easy to erect panels for speed of installation
- Available as complete kiosks, top hat designs or fully ventilated over kiosks
- Hidden roof ventilation to help reduce condensation
- Shrouded padlock locking
- Available with internal or external fixings
- Single or double doors
- Options for plywood backboards
- Available in a multitude of sizes
- Galvanized to BSEN ISO1461 with additional powder coating to available RAL and BS colours
- Easy to remove roof sections utilising locking push bolts

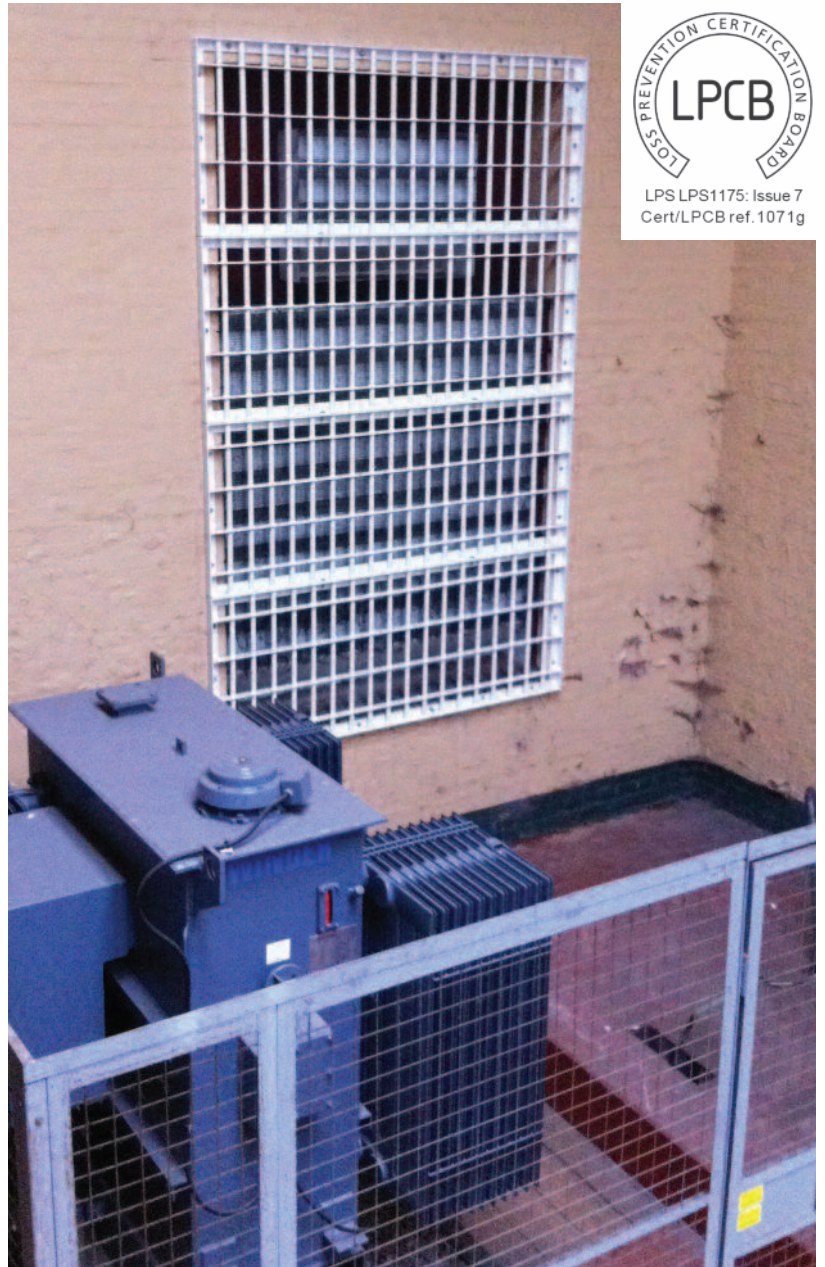


# BAR SETS

Tel: 0121 521 4500 Fax: 0121 521 4551 Email: [sales@steelwaybrickhouse.co.uk](mailto:sales@steelwaybrickhouse.co.uk) [www.steelway.co.uk](http://www.steelway.co.uk)

Fabricated from mild steel and in modular form, Steelway's fixed security bar sets and grilles offer an affordable solution for high and low level window protection. Bar sets are available to suit face fixed and reveal fixed applications internally and externally. Ranges are available certified to LPS 1175 SR2 & SR3.

- Face or reveal fixed
- Modular construction to suit all sizes
- Galvanized to BS EN ISO1461 with additional powder coatings to available RAL and BS colours
- Modular design for ease of installation



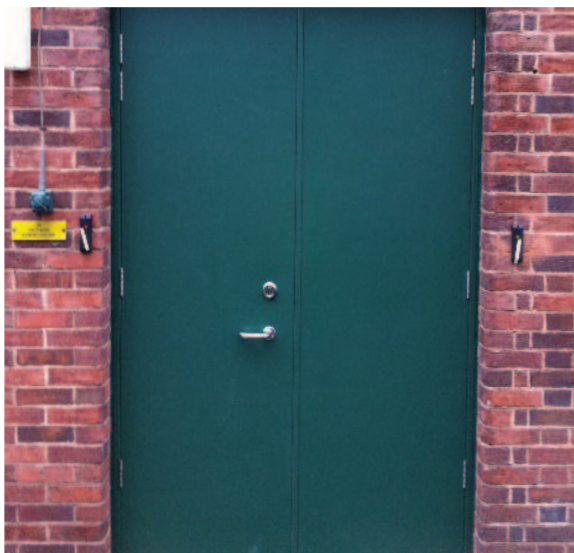
LPS LPS1175: Issue 7  
Cert/LPCB ref. 1071g

# DOORS

Tel: 0121 521 4500 Fax: 0121 521 4551 Email: [sales@steelwaybrickhouse.co.uk](mailto:sales@steelwaybrickhouse.co.uk) [www.steelway.co.uk](http://www.steelway.co.uk)

Steelway can supply and install differing ranges of single and double skinned security doors, all of which are available in many styles, colours and security ratings. Certain ranges are certified to LPS1175 SR2, SR3 and SR4 security levels.

- Mild steel single and double doors
- Mild steel mesh and bar cage doors
- Certified and non certified ranges available
- All doors are available as single or double leaf
- A multitude of locking and hardware options are available
- Galvanized finish to BS EN ISO1461 with powder coating to available RAL and BS colours
- Decorative cladding options are available on certain ranges



# SENTRY - APB

## ASSET PROTECTION BOX

Tel: 0121 521 4500 Fax: 0121 521 4551 Email: sales@steelwaybrickhouse.co.uk www.steelway.co.uk

Steelway Sentry-APB range of security boxes include a hinged access cover to protect assets and equipment from opportunistic attack or vandalism. The range of Sentry-APB products are approved to LPS1175 Iss 7 SR3 & SR4 ratings and are suitable for a multitude of applications.

### Standard Features

- Sentry-APB3 boxes are certified to LPS1175 SR3 Iss 7
- Sentry-APB4 boxes are certified to LPS1175 SR4 Iss 7
- Bolt together modular construction for ease of installation
- Incorporates a Sentry3 or Sentry4 Double skin access cover and frame
- Torsion spring assisted for single person operation
- Internal fixings for increased security
- Shrouded locking for utility padlocks (not supplied)
- Hidden tamperproof hinges
- Galvanized to BSEN ISO1461

### Additional Features

- /RAL Powder coating over galvanizing
- /V Ventilated panel construction
- /FXK Fixing bolts

### Size Range

Box sizes are available from 1000 x 1000 x 360mm internal height. Please contact our sales department with your requirements.

### Cover Configurations

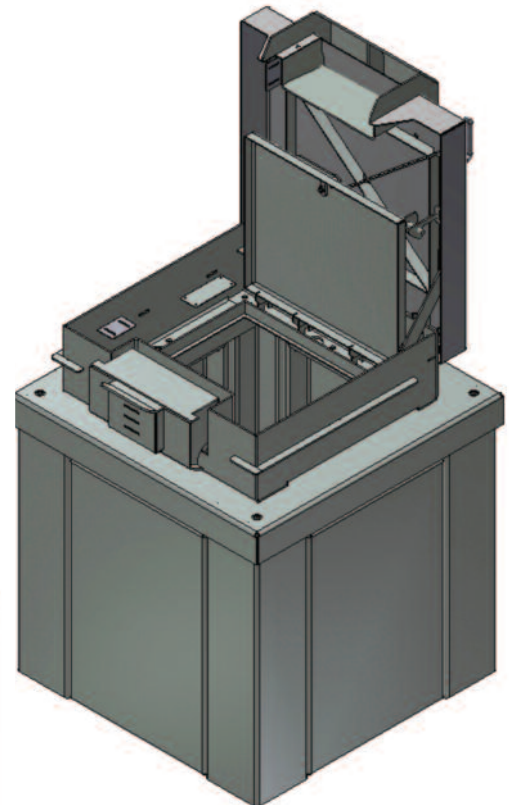
- SAPB3 - SR3 Box
- SAPB4 - SR4 Box

### Example Specification

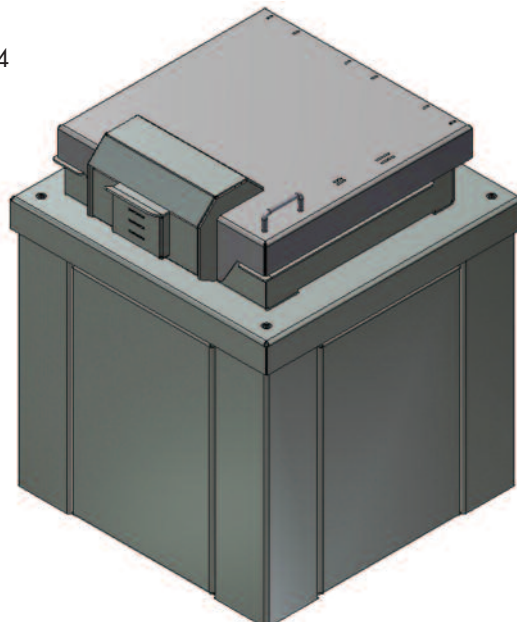
Fig SAPB4/10001000360 = Level 4 access hatch / 1000W x 1000D x 360mm internal height



LPS LPS1175: Issue 7  
Cert/LPCB ref.1071e



Locking detail has been removed for security reasons.





# SAMPLE TAP BOXES

Tel: 0121 521 4500 Fax: 0121 521 4551 Email: sales@steelwaybrickhouse.co.uk www.steelway.co.uk

Steelway range of sample tap kiosks are designed for use on a variety of applications that require protection to taps or other small assets. All of the sample tap kiosks incorporate a single door with a shrouded locking facility for a padlock. The sample tap kiosks are available to suit either a single or twin tap set up. As standard they are supplied as an empty box, but can be supplied complete with the back board, shelf, pipework and sink (taps are supplied by others). The range of sample tap kiosks are certified to LPS1175 Iss 7 SR3 or SR4.

## Standard Features

- Single skin construction
- Supplied as standard without backboards or taps
- Single door with stay to prevent unauthorised closure
- Shrouded locking for padlock
- Galvanized to BSEN ISO1461

## Additional Features

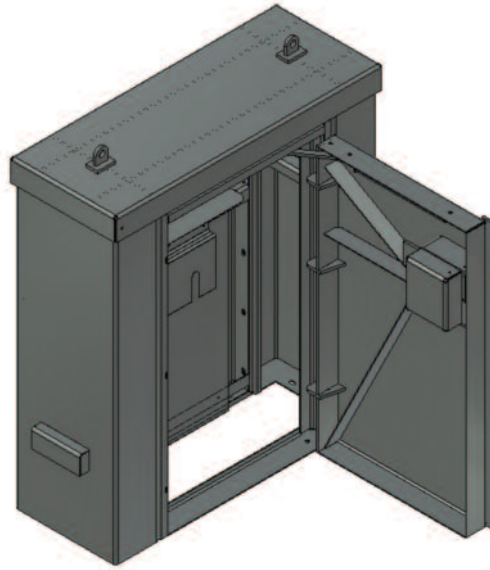
- /B Stainless back board only
- /1T 1 Tap setup (back board, pipework & sink)
- /2T 2 Tap setup (back board, pipework & sink)
- /RAL Powder coating over galvanizing
- /FXK Fixing bolts

## Size Range

Available in a range of sizes from 1500H x 1300W x 500D to suit various tap configurations. Please contact our sales department for further information

## Kiosk References

- STB4 SR4
- STB3 SR3



Locking detail has been removed for security reasons.



LPS LPS1175: Issue 7  
Cert/LPCB ref.1071e

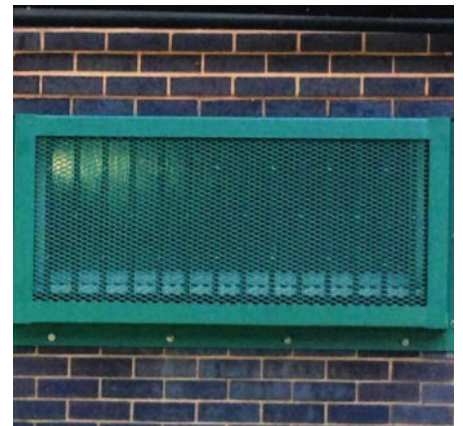


## Example Specification

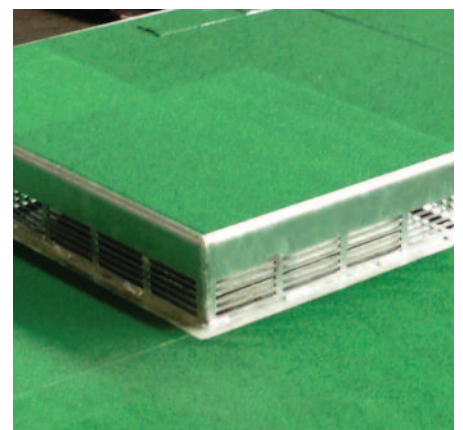
Fig STB3/15001300500/B/1T = Level 3 sample kiosk / 1500H x 1300W x 500D / Stainless steel back plate / 1 tap set up

# SECURITY BOXES & PANELS

Tel: 0121 521 4500 Fax: 0121 521 4551 Email: [sales@steelwaybrickhouse.co.uk](mailto:sales@steelwaybrickhouse.co.uk) [www.steelway.co.uk](http://www.steelway.co.uk)



Steelway can supply many different types of boxes, panels and vents suitable for a variety of applications. All products shown are manufactured from mild steel and are galvanized to BSEN ISO1461. The products can then be powder coated to specific RAL colours to suit their surroundings. Please contact our sales department to discuss the specific security ratings relating to the products that you require.



# steelway PROTECT

Queensgate Works, Bilston Road, Wolverhampton,  
West Midlands WV2 2NJ Tel: 01902 451733 Fax:  
01902 452256 Email: [sales@steelway.co.uk](mailto:sales@steelway.co.uk)  
[www.steelway.co.uk](http://www.steelway.co.uk)

Steelway is a leading engineering and fabrication company that specialises in the manufacture and installation of steel, aluminium and GRP products.

Our dedicated workforce prides itself on its professionalism and quality finish. We are experts in our field.

For more information, please visit our website [www.steelway.co.uk](http://www.steelway.co.uk)

