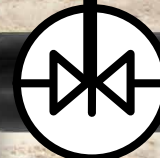


REINERT-RITZ


QUICK-PIG
STATION

THINK PIG

Advantages of an easy to use
and safe pigging solution



Cleaning and inspection

Performed safely from the ground surface

Why pigging?

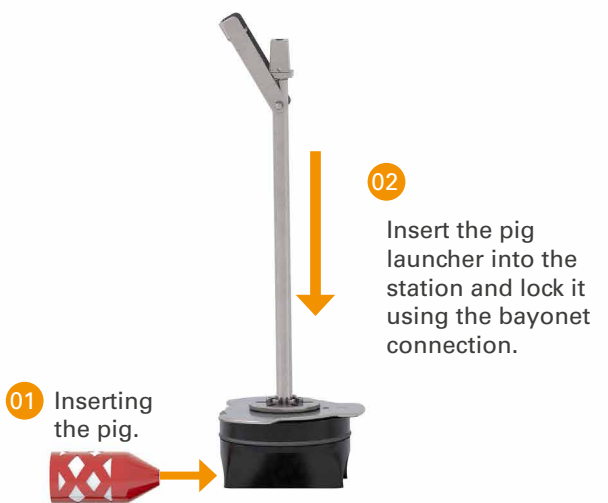
Like all other types of piping, PE pressure piping requires regular inspection and cleaning. This guarantees operating safety and maintains the performance of the pressure piping. The Quick-Pig pigging station is precisely the right choice for both new and existing piping if you are looking for an economical solution with a high level of safety.

Safety

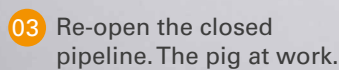
Our QUICK-PIG station significantly enhances the safety of the employees working on site. It represents a move away from the cramped and poorly ventilated maintenance shafts that workers have to climb down. With the QUICK-PIG station, we have moved this work to the ground surface. This enables employees to fit and remove the pig without any risk.

Life-cycle costs

Using a simple bayonet connection, a single person can insert and remove the pig while working at road level. The same applies for the regular inspection of the pressure pipes carried out in compliance with national self-monitoring regulations, for example. The sophisticated QUICK-PIG station with its bayonet connection massively reduces the working time for pipe maintenance and cleaning.



A flushing vehicle can also be used on site thanks to the optional flushing connection.



Without a shaft and without corrosion

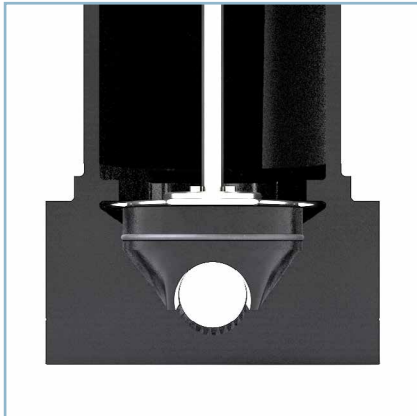
Easy installation thanks to 100% PE design

Economy

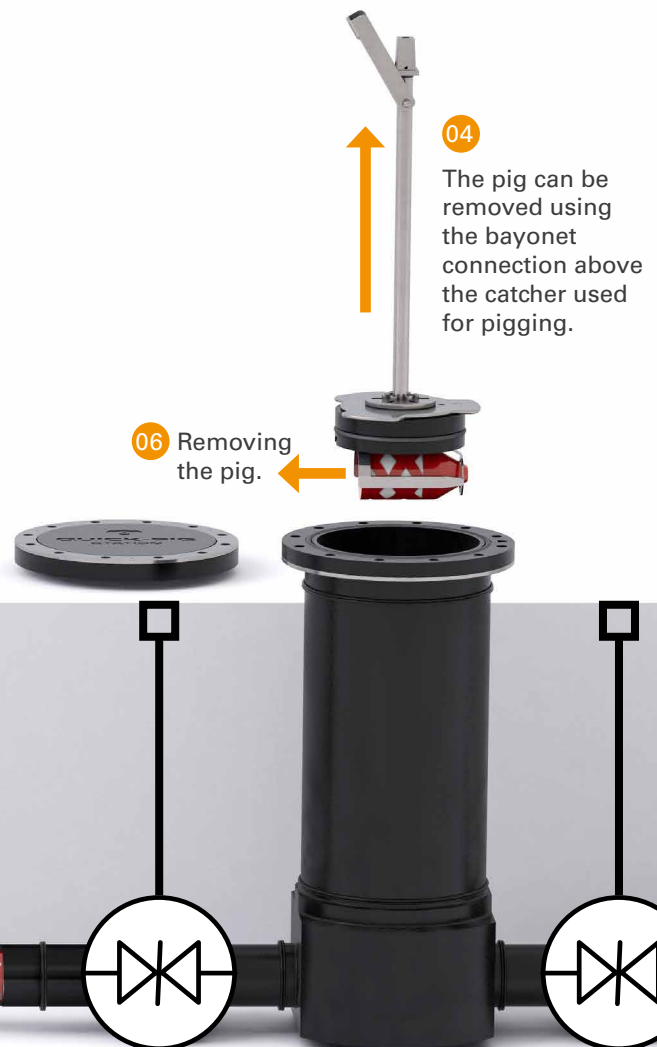
The ability to use the QUICK-PIG station from the ground surface eliminates the need for complex shaft constructions with extensive bedding. It also eliminates one area of the planning and construction work. The installation can be carried out by piping construction companies. The compact design of the QUICK-PIG station only requires a minimally invasive construction pit. As a consequence, it can also be retroactively integrated into existing piping systems.

Sustainability

Conventional inspection openings often need to be removed and replaced due to corrosion. In contrast, all of the components of the QUICK-PIG station that come into contact with the medium are made of 100% PE-100 RC. All of the other components are made using V4A and can be inspected and replaced as necessary. This combination guarantees a long service life.



The QUICK-PIG station is designed to guarantee maximum flow for day-to-day operation.





Reinert-Ritz GmbH
Ernst-Heinkel-Straße 2
D-48531 Nordhorn
Germany

Phone: +49 (0) 5921 8347-0
Fax: +49 (0) 5921 8347-25
contact@reinert-ritz.com
www.reinert-ritz.de

